



US00D842910S

(12) **United States Design Patent**
Hutsell et al.

(10) **Patent No.:** **US D842,910 S**
(45) **Date of Patent:** **** Mar. 12, 2019**

(54) **CUTTER FOR SAW CHAIN**
(71) Applicant: **Blount, Inc.**, Portland, OR (US)
(72) Inventors: **Sam Hutsell**, Portland, OR (US);
James Matthew Cunningham, Tualatin,
OR (US); **Michael D. Harfst**,
Milwaukie, OR (US); **Roberto de Jesus**
Torres Delgado, Portland, OR (US)

(73) Assignee: **Blount, Inc.**, Portland, OR (US)

(**) Term: **15 Years**

(21) Appl. No.: **29/640,493**

(22) Filed: **Mar. 14, 2018**

(51) **LOC (11) Cl.** **15-09**

(52) **U.S. Cl.**
USPC **D15/139**

(58) **Field of Classification Search**
USPC D8/8, 9, 65; D15/138, 139
CPC ... B27B 33/142; B27B 33/141; B27B 33/144;
B27B 33/145; B27B 33/148; B27B 33/14;
B27B 33/00; B23D 65/00; B23D 65/02;
Y10T 83/9319; Y10T 83/917
See application file for complete search history.

(56) **References Cited**

U.S. PATENT DOCUMENTS

2,652,076	A *	9/1953	Bye	B27B 33/142	83/834
3,144,891	A *	8/1964	Carlton	B27B 33/142	83/834
3,292,675	A *	12/1966	Bullard	B27B 33/14	83/834
3,545,508	A *	12/1970	Tupper	B27B 33/14	83/833
4,133,239	A *	1/1979	Goldblatt	B27B 33/141	83/834

4,562,762	A *	1/1986	Dubler	B23D 65/00	83/734
4,754,549	A *	7/1988	Fischer	B27B 17/08	30/384
4,756,221	A *	7/1988	Nitschmann	B27B 33/14	83/830
4,898,057	A *	2/1990	Hille	B27B 33/14	83/831
4,911,050	A *	3/1990	Nitschmann	B27B 33/141	83/834
4,979,416	A *	12/1990	Nitschmann	B27B 33/142	83/830
5,092,211	A *	3/1992	Petrovich	B27B 33/142	83/830
5,098,348	A *	3/1992	O'Neel	F16H 7/06	30/381

(Continued)

Primary Examiner — Sandra S Snapp

Assistant Examiner — Ieisha N Price

(74) *Attorney, Agent, or Firm* — Schwabe Williamson & Wyatt, P.C.

(57) **CLAIM**

We claim the ornamental design for a cutter for saw chain, as shown and described.

DESCRIPTION

FIG. 1 is a perspective view of a cutter for saw chain showing our new design;

FIG. 2 is a front view thereof;

FIG. 3 is a back view thereof;

FIG. 4 is a right side view thereof;

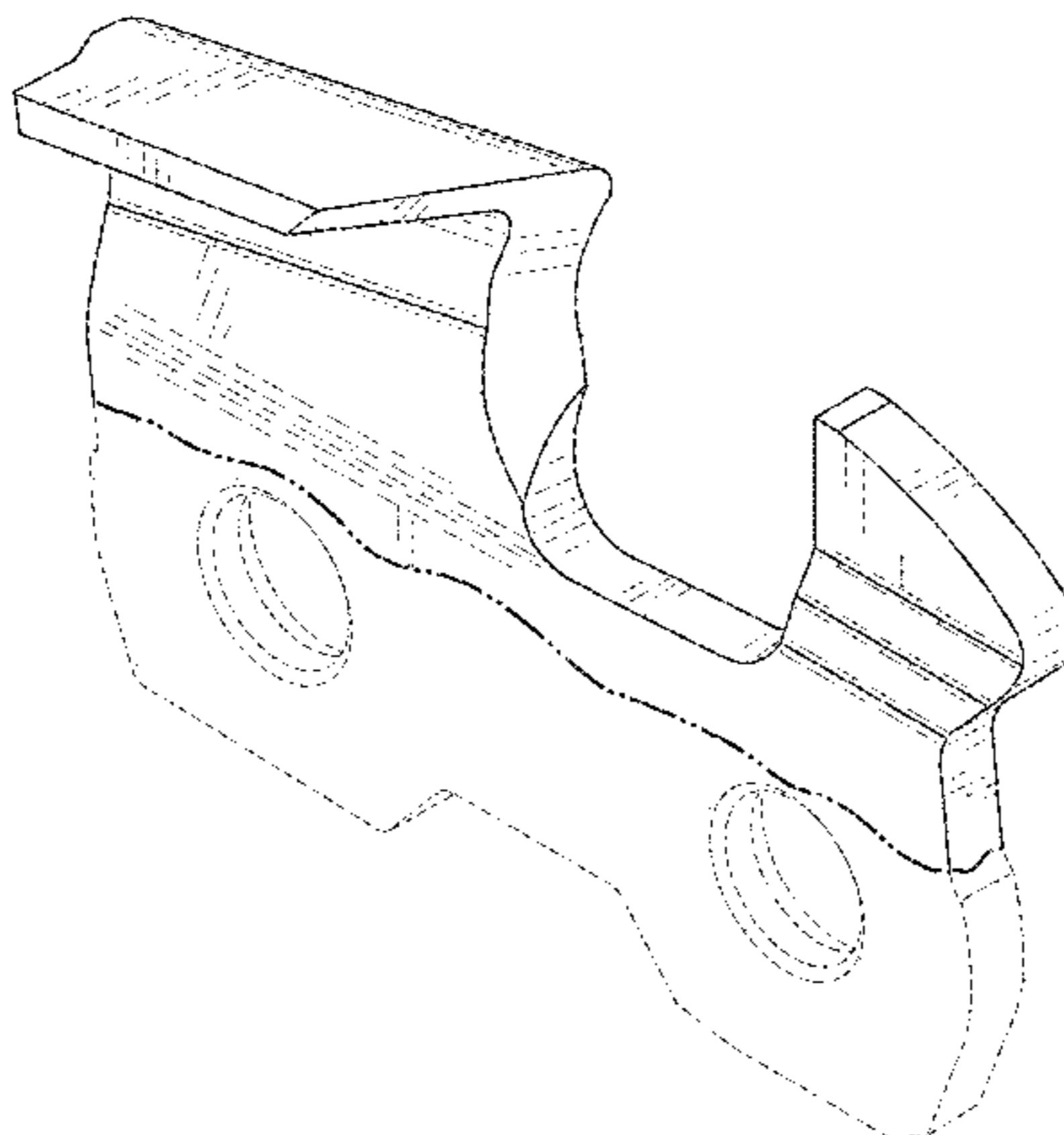
FIG. 5 is a left side view thereof;

FIG. 6 is a top view thereof; and,

FIG. 7 is a bottom view thereof.

The dash-dot-dot-dash broken line immediately adjacent to the shaded area represents an unclaimed boundary of the claimed design. The remainder of the broken lines are provided for environmental purposes only and form no part of the claimed design.

1 Claim, 3 Drawing Sheets



(56)

References Cited

U.S. PATENT DOCUMENTS

5,165,318	A *	11/1992	Wesley	B23D 63/162	83/834
5,257,568	A *	11/1993	Nitschmann	B27B 33/14	83/151
5,651,938	A *	7/1997	Thomson	B27B 33/14	420/119
5,666,871	A *	9/1997	Burrows	B23D 61/021	83/830
6,058,825	A *	5/2000	Harfst	B27B 33/141	30/166.3
6,112,632	A *	9/2000	Buchholtz	B27B 33/141	83/830
6,317,989	B1 *	11/2001	Forsberg	B27B 17/08	30/384
8,256,335	B1 *	9/2012	Canon	B27B 33/14	30/381
D715,341	S *	10/2014	Schell	D15/139	
9,272,440	B1 *	3/2016	Hutsell	B27B 33/142	
2003/0126952	A1 *	7/2003	Duquet	B27B 33/145	76/112
2003/0192418	A1 *	10/2003	Mang	B27B 33/141	83/833
2004/0025355	A1 *	2/2004	Harfst	B27B 33/141	30/381
2005/0115379	A1 *	6/2005	Schulz	B27B 33/141	83/833
2007/0089586	A1 *	4/2007	Harfst	B27B 33/14	83/830
2008/0072733	A1 *	3/2008	Schulz	B27B 33/141	83/834
2008/0110317	A1 *	5/2008	Osborne	B27B 33/14	83/830
2009/0107317	A1 *	4/2009	Kewes	B27B 33/142	83/831
2014/0260875	A1 *	9/2014	Harfst	B23D 65/00	83/830
2015/0183124	A1 *	7/2015	Schell	B27B 33/142	83/834
2016/0121511	A1 *	5/2016	Hutsell	B27B 33/142	83/834
2016/0193749	A1 *	7/2016	Seigneur	B27B 33/14	83/830
2018/0304490	A1 *	10/2018	Lux	B23D 63/162	

* cited by examiner

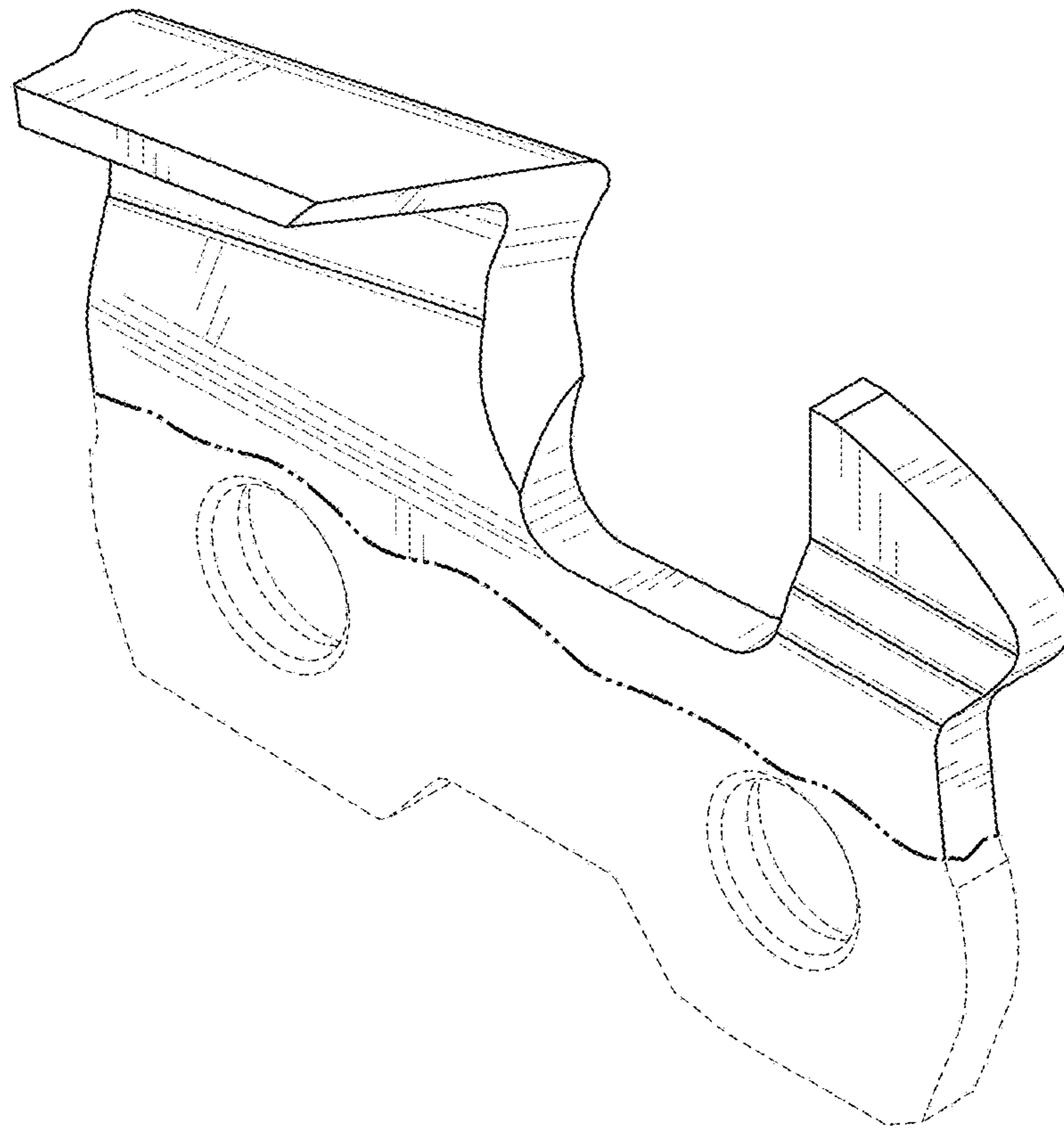


FIG. 1

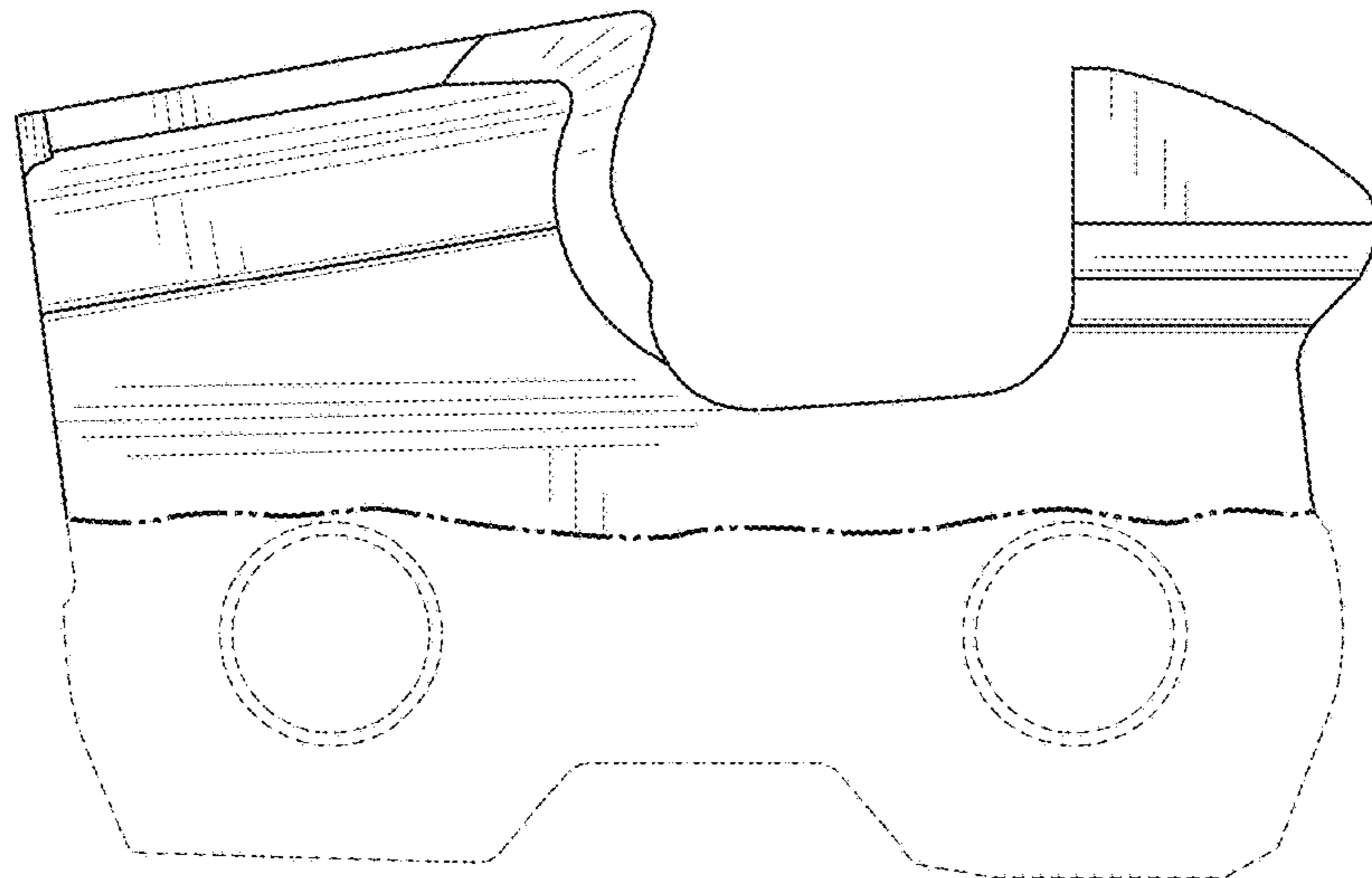


FIG. 2

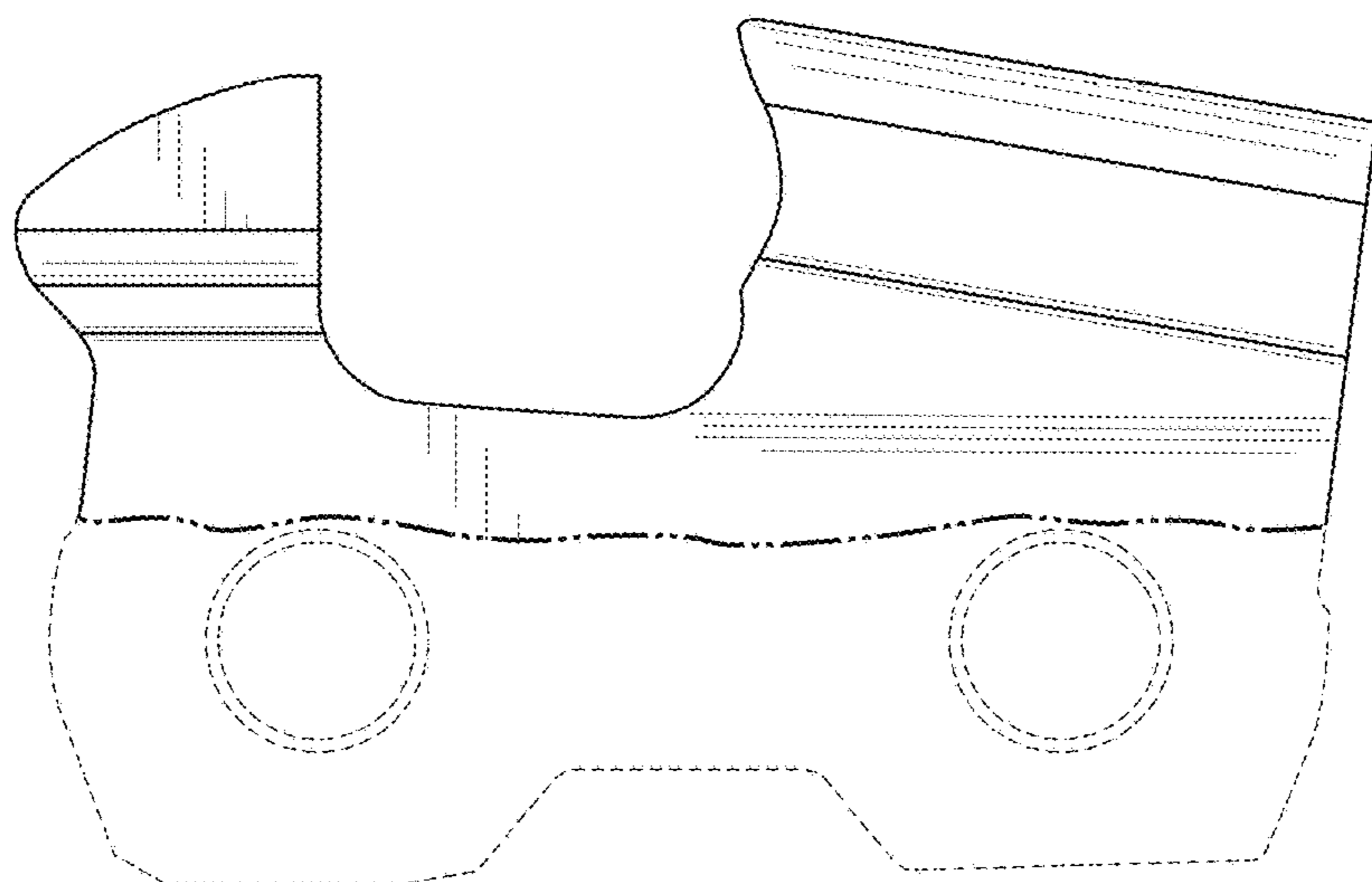


FIG. 3

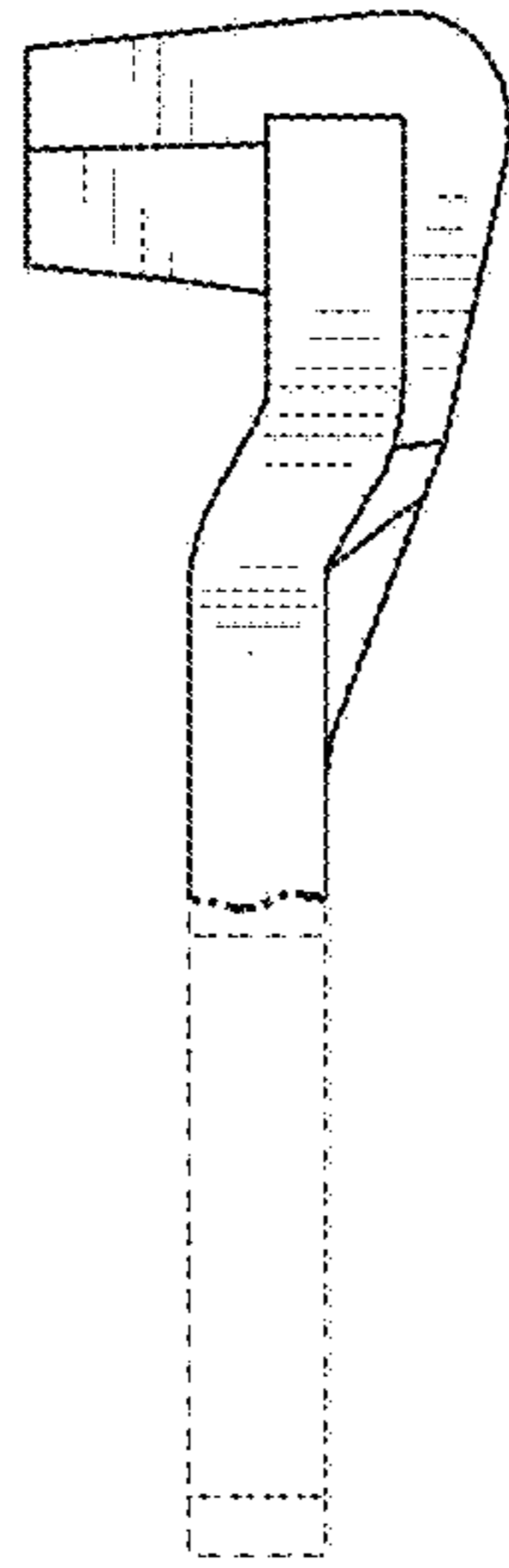


FIG. 4

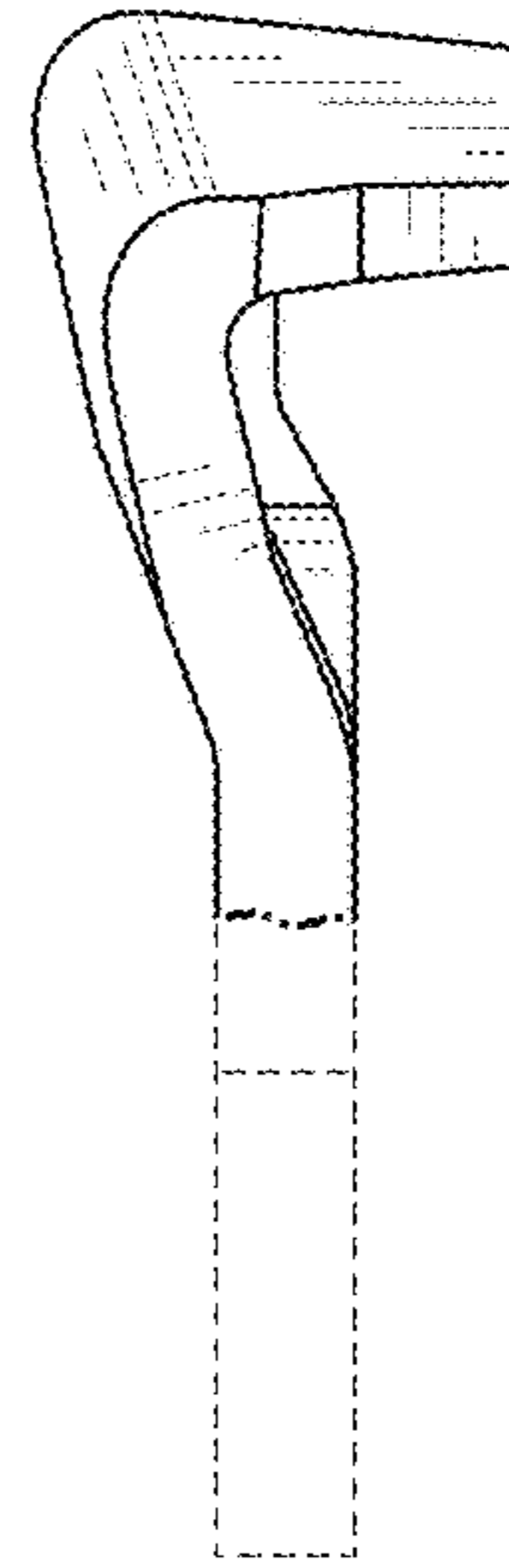


FIG. 5

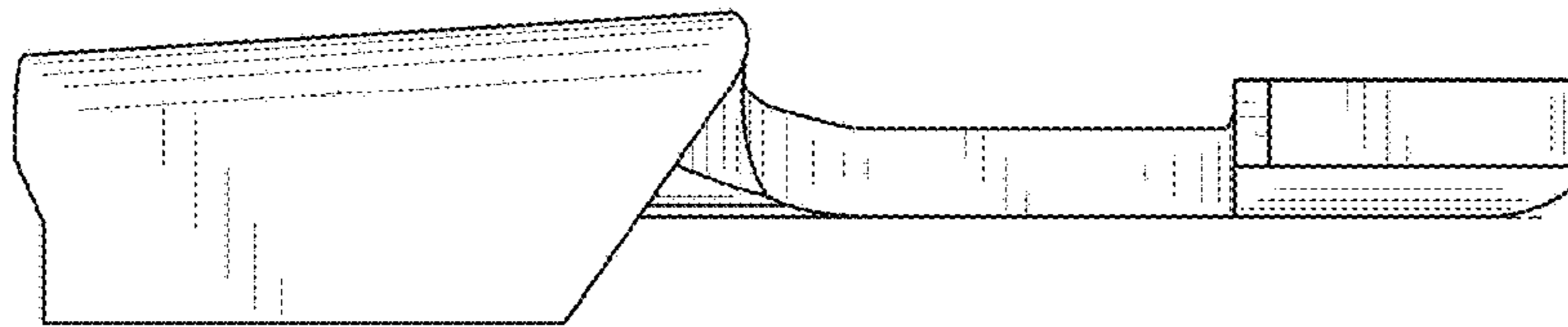


FIG. 6

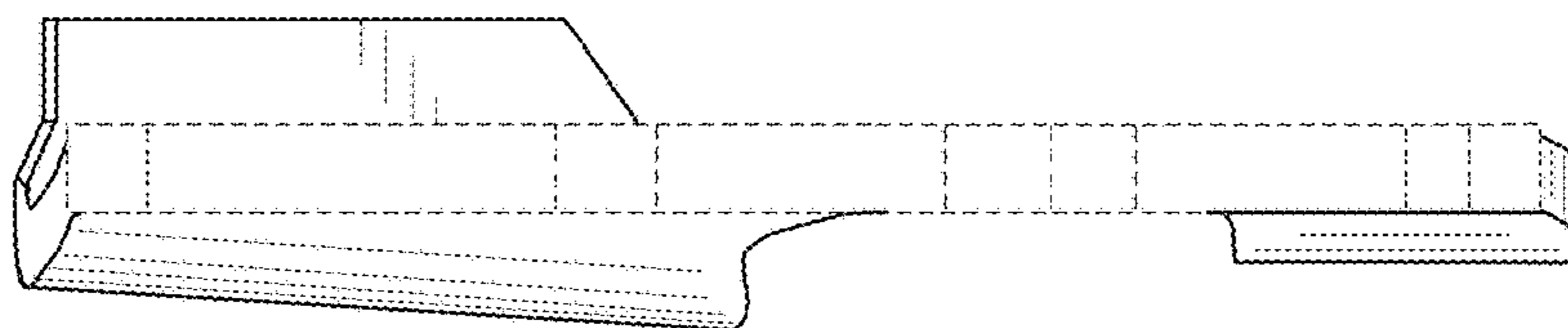


FIG. 7