

US00D842909S

(12) **United States Design Patent**
Maeda

(10) **Patent No.:** **US D842,909 S**
(45) **Date of Patent:** **** Mar. 12, 2019**

(54) **THROW-AWAY TIP FOR CUTTING TOOL**

(71) Applicant: **SUMITOMO ELECTRIC
SINTERED ALLOY, LTD.,**
Takahashi-shi (JP)

(72) Inventor: **Kazuo Maeda,** Takahashi (JP)

(73) Assignee: **SUMITOMO ELECTRIC
SINTERED ALLOY, LTD.,**
Takahashi-shi (JP)

(**) Term: **15 Years**

(21) Appl. No.: **29/562,726**

(22) Filed: **Apr. 28, 2016**

(30) **Foreign Application Priority Data**

Oct. 29, 2015 (JP) 2015-024129
Oct. 29, 2015 (JP) 2015-024130

(Continued)

(51) **LOC (11) Cl.** **15-09**

(52) **U.S. Cl.**
USPC **D15/139**

(58) **Field of Classification Search**
USPC D8/20, 70; D15/126, 131, 138, 139, 140
(Continued)

(56) **References Cited**

U.S. PATENT DOCUMENTS

D271,497 S * 11/1983 Green D15/139
4,507,023 A * 3/1985 Shikata B23B 27/1614
407/103

(Continued)

FOREIGN PATENT DOCUMENTS

JP S62-24903 A 2/1987
JP H06-28806 B2 4/1994

(Continued)

OTHER PUBLICATIONS

Notice in Japanese Design Application No. 2015-024129, dated May 9, 2016.

(Continued)

Primary Examiner — Patricia A Palasik

(74) *Attorney, Agent, or Firm* — Venable LLP; Michael A. Sartori; Laura G. Remus

(57) **CLAIM**

The ornamental design for a throw-away tip for cutting tool, as shown and described.

DESCRIPTION

FIG. 1 is a front view of a first embodiment of a throw-away tip for cutting tool showing my new design;

FIG. 2 is a rear view thereof;

FIG. 3 is a top view thereof;

FIG. 4 is a bottom view thereof;

FIG. 5 is a right side view thereof;

FIG. 6 is a left side view thereof;

FIG. 7 is a first perspective view thereof;

FIG. 8 is a second perspective view thereof;

FIG. 9 is a cross sectional view taken along line IX-IX of FIG. 1;

FIG. 10 is a front view of a second embodiment of a throw-away tip for cutting tool showing my new design;

FIG. 11 is a rear view thereof;

FIG. 12 is a top view thereof;

FIG. 13 is a bottom view thereof;

FIG. 14 is a right side view thereof;

FIG. 15 is a left side view thereof;

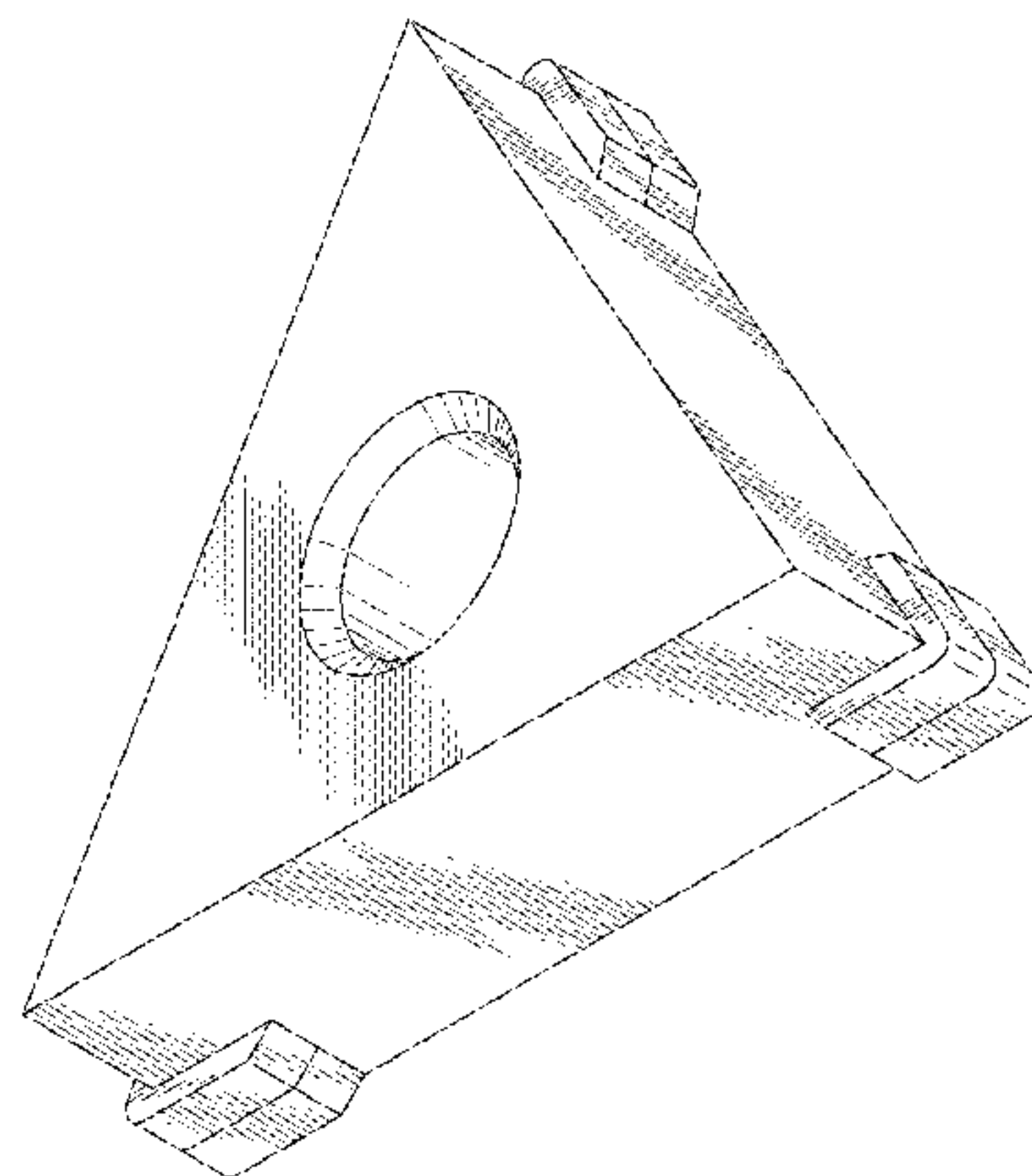
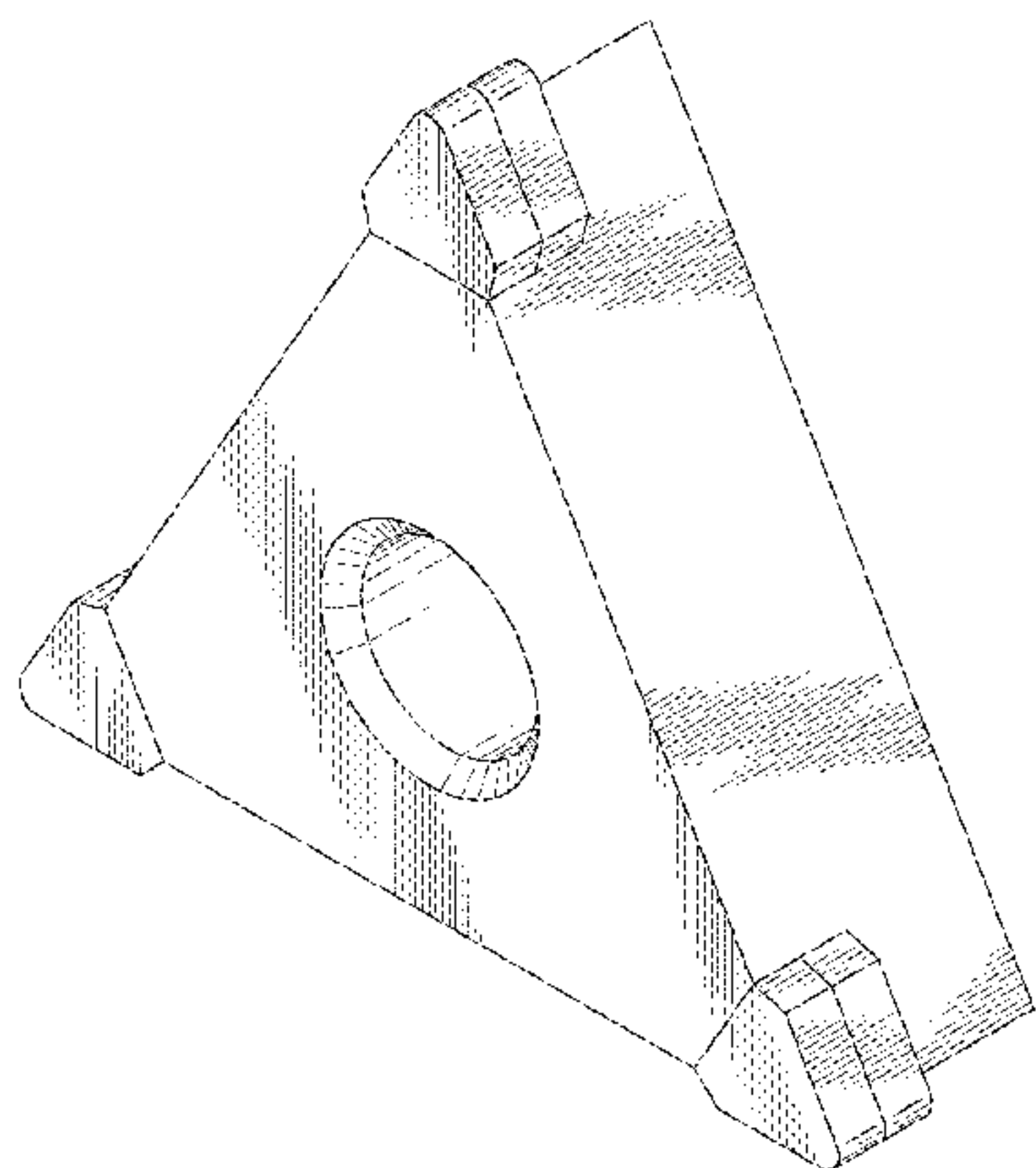
FIG. 16 is a first perspective view thereof;

FIG. 17 is a second perspective view thereof;

FIG. 18 is a cross sectional view taken along line XVIII-XVIII of FIG. 10; and,

FIG. 19 is a referential view showing the state in which a workpiece is machined with the throw-away tip for cutting tool according to the first or second embodiment attached to a holder.

(Continued)



The broken lines in the drawings depict unclaimed environmental subject matter of the throw-away tip for cutting tool.

1 Claim, 10 Drawing Sheets

(30) **Foreign Application Priority Data**

Oct. 29, 2015	(JP)	2015-024131
Oct. 29, 2015	(JP)	2015-024132
Oct. 29, 2015	(JP)	2015-024133
Oct. 29, 2015	(JP)	2015-024134
Oct. 29, 2015	(JP)	2015-024135
Oct. 29, 2015	(JP)	2015-024136
Oct. 29, 2015	(JP)	2015-024137
Oct. 29, 2015	(JP)	2015-024138

(58) **Field of Classification Search**

CPC B23C 5/109; B23C 5/207
See application file for complete search history.

(56) **References Cited**

U.S. PATENT DOCUMENTS

6,155,755	A	12/2000	Kanada et al.	
D475,376	S *	6/2003	Sikstrom	D15/139
D475,377	S *	6/2003	Sikstrom	D15/139
D475,379	S *	6/2003	Sikstrom	D15/139
D475,723	S *	6/2003	Sikstrom	D15/139
D475,724	S *	6/2003	Sikstrom	D15/139
D475,725	S *	6/2003	Sikstrom	D15/139
D476,019	S *	6/2003	Sikstrom	D15/139
D541,321	S *	4/2007	Sjoo	D15/139
D595,322	S *	6/2009	Sakata	D15/139

D595,323	S *	6/2009	Sakata	D15/139
D595,751	S *	7/2009	Sakata	D15/139
D664,168	S *	7/2012	Okamura	D15/139
D787,578	S *	5/2017	Watanobe	D15/139
2002/0146292	A1 *	10/2002	Shimizu	B23B 27/145 407/113
2007/0280790	A1 *	12/2007	Kovac	B23B 27/1662 407/30
2010/0272525	A1 *	10/2010	Corbin	B23B 27/141 407/113
2011/0299948	A1 *	12/2011	Edler	B23B 27/145 407/114

FOREIGN PATENT DOCUMENTS

JP	H10-166206	A	6/1998
JP	H11-320219	A	11/1999
JP	D1405583		1/2011
JP	D1419424		7/2011
JP	D1431524		1/2012

OTHER PUBLICATIONS

Notice of Japanese Design Application No. 2015-024130, dated May 9, 2016.
Notice in Japanese Design Application No. 2015-024131, dated May 9, 2016.
Notice in Japanese Design Application No. 2015-024132, dated May 9, 2016.
Notice in Japanese Design Application No. 2015-024134, dated May 9, 2016.
Notice in Japanese Design Application No. 2015-024136, dated May 9, 2016.
Notice in Japanese Design Application No. 2015-024137, dated May 9, 2016.

* cited by examiner

FIG. 1

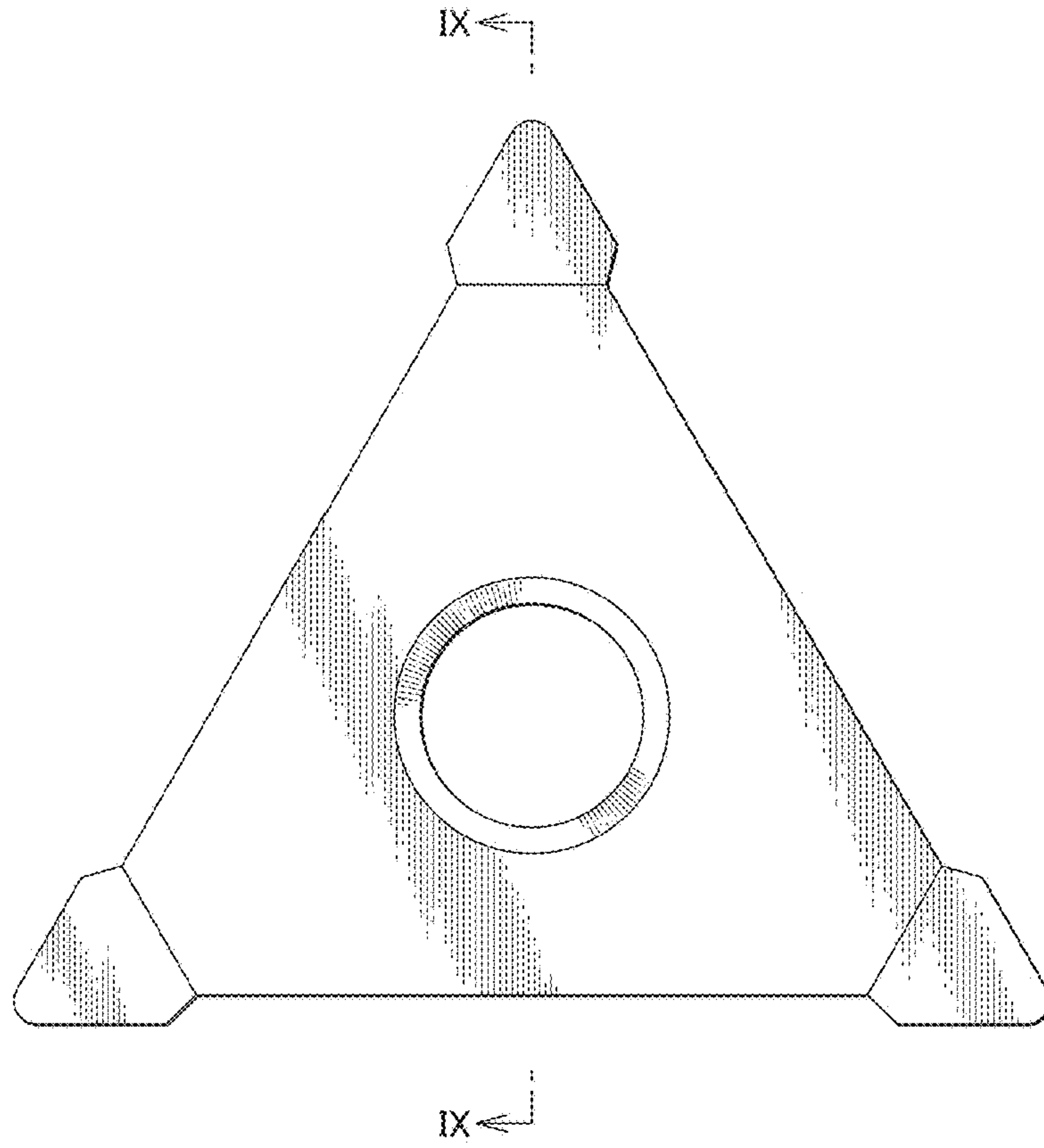


FIG. 2

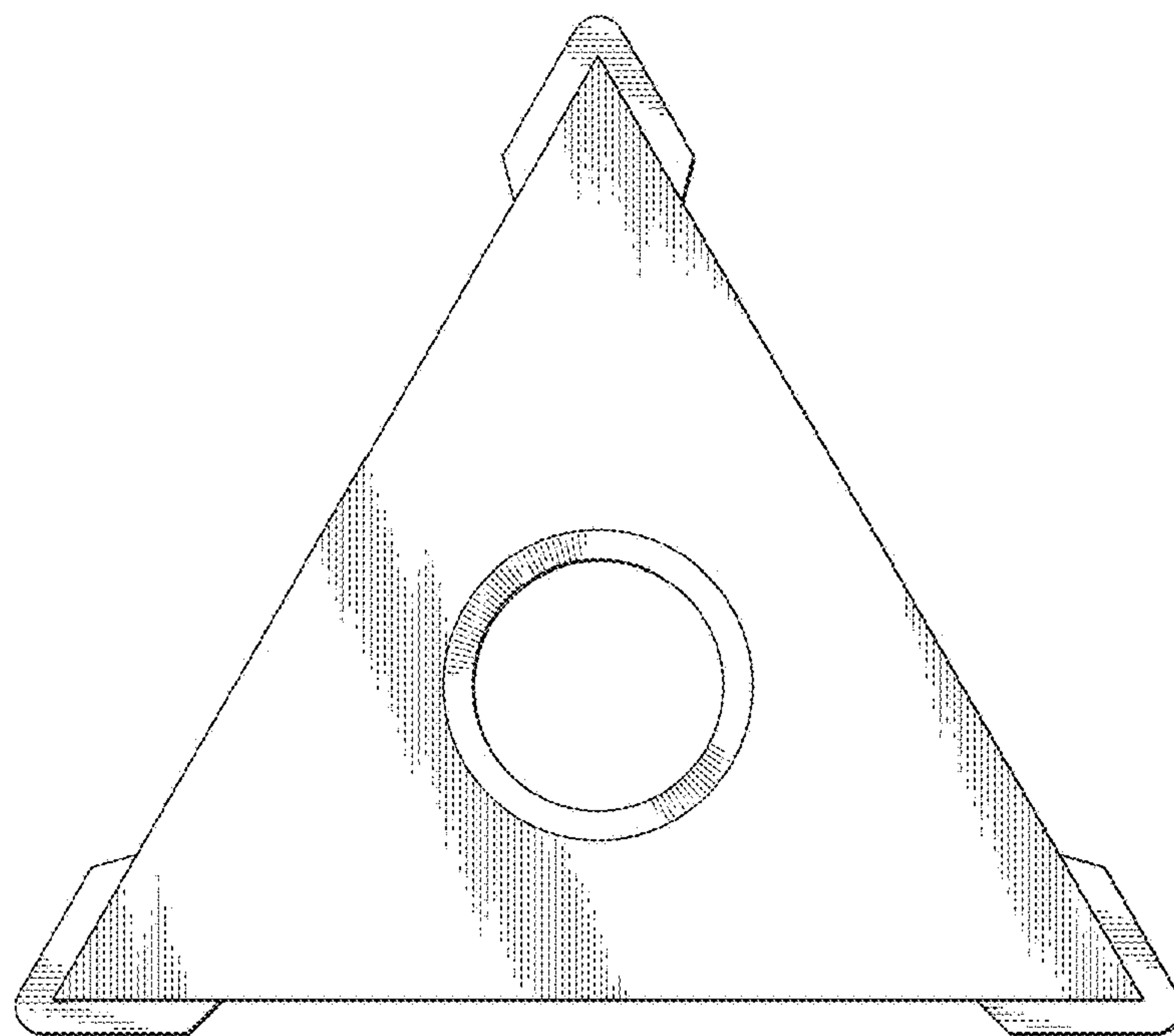


FIG.3

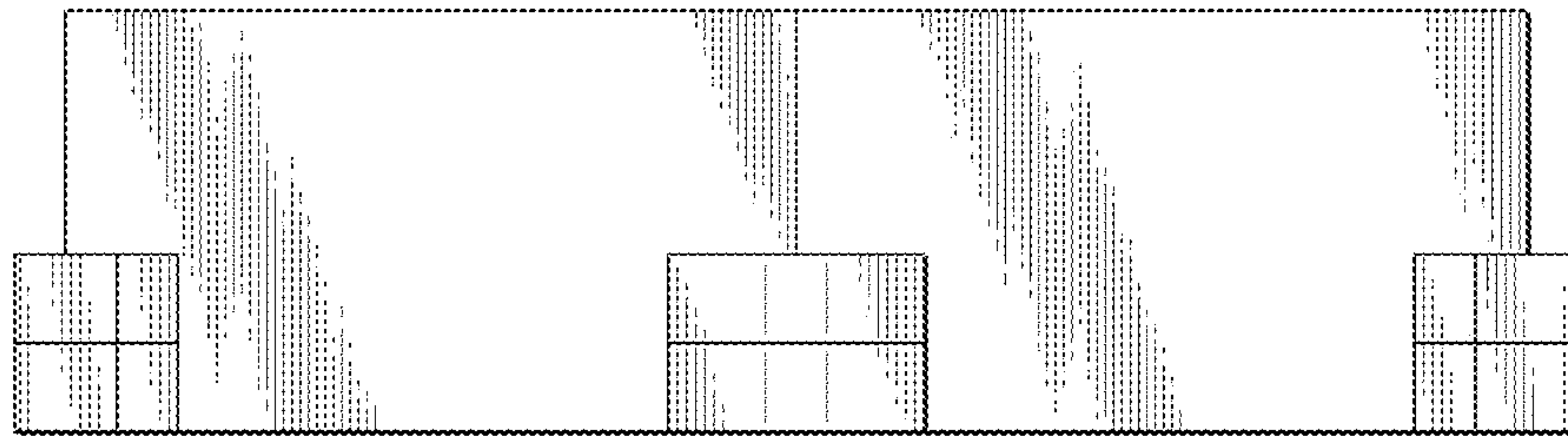


FIG.4

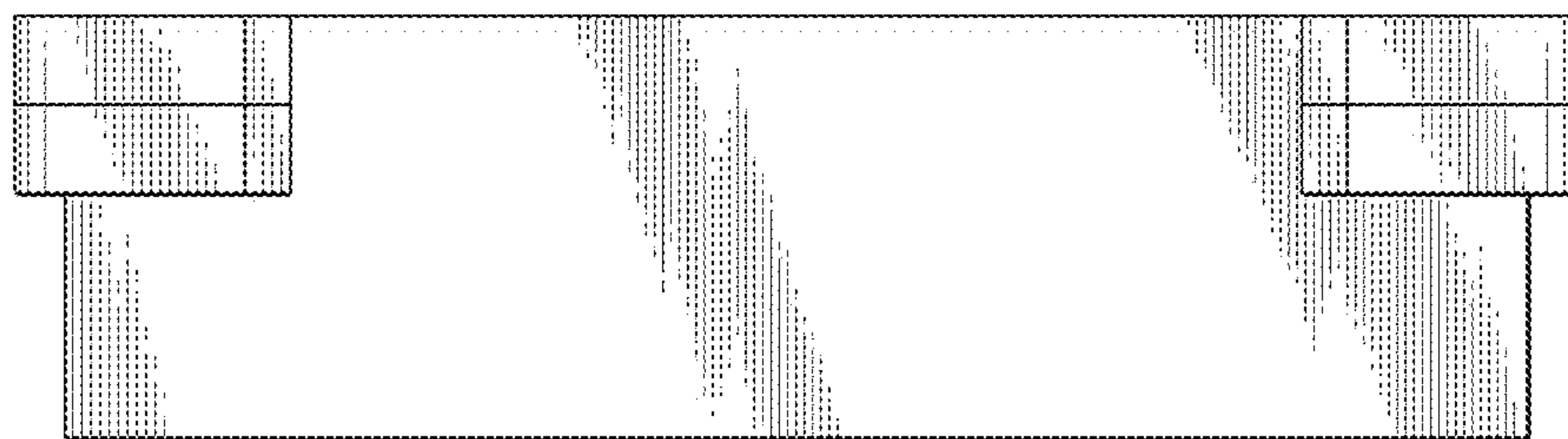


FIG.5

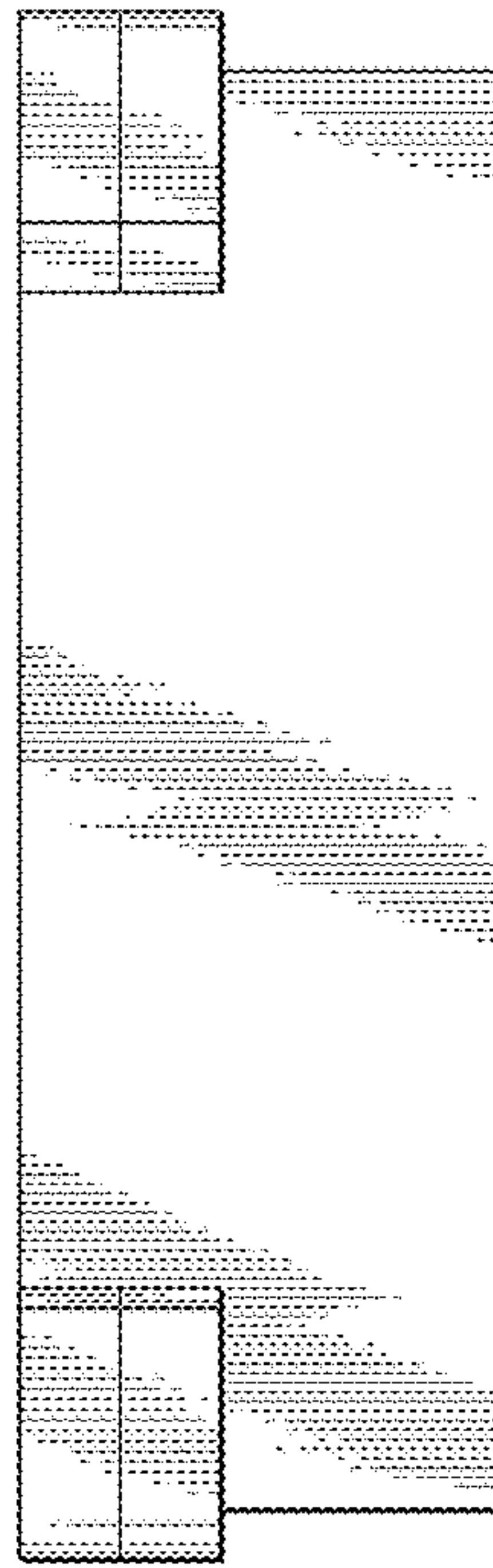


FIG.6

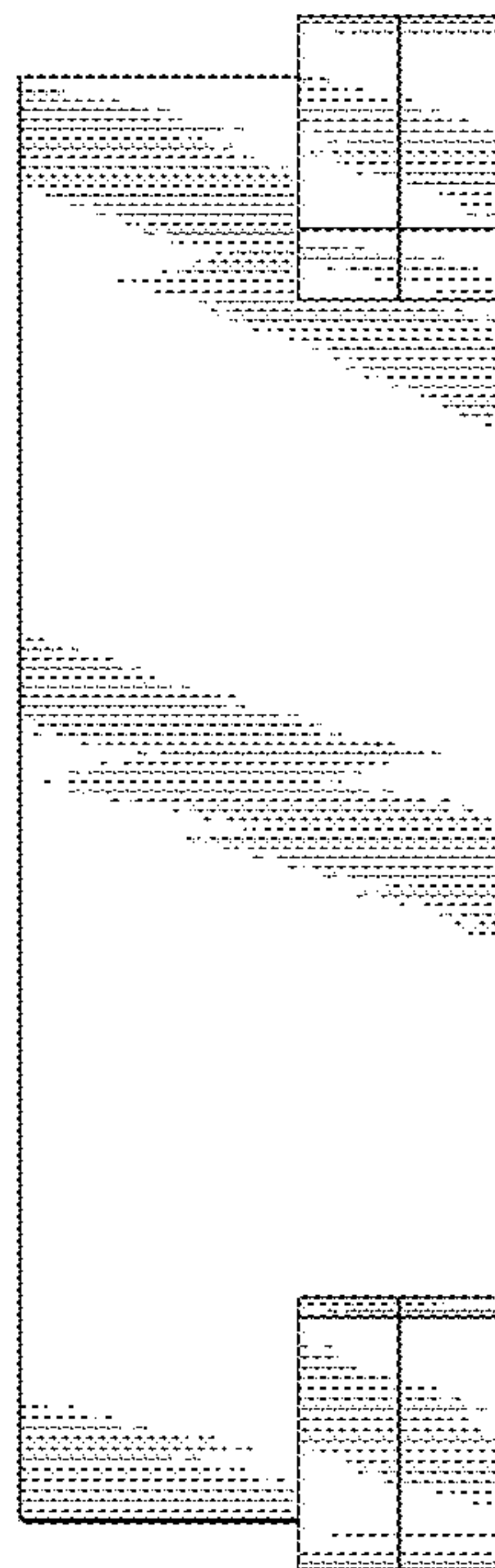


FIG.7

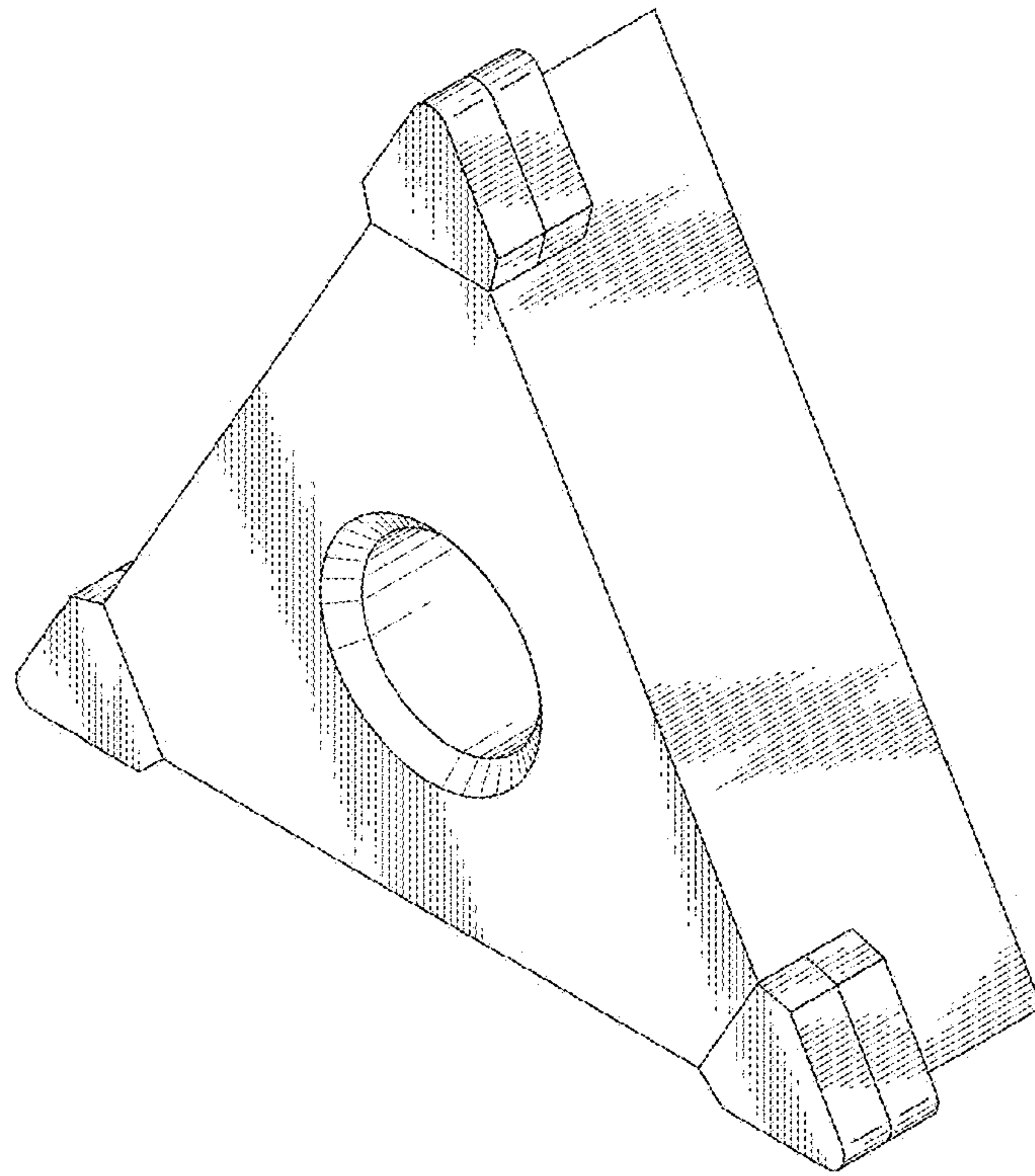


FIG.8

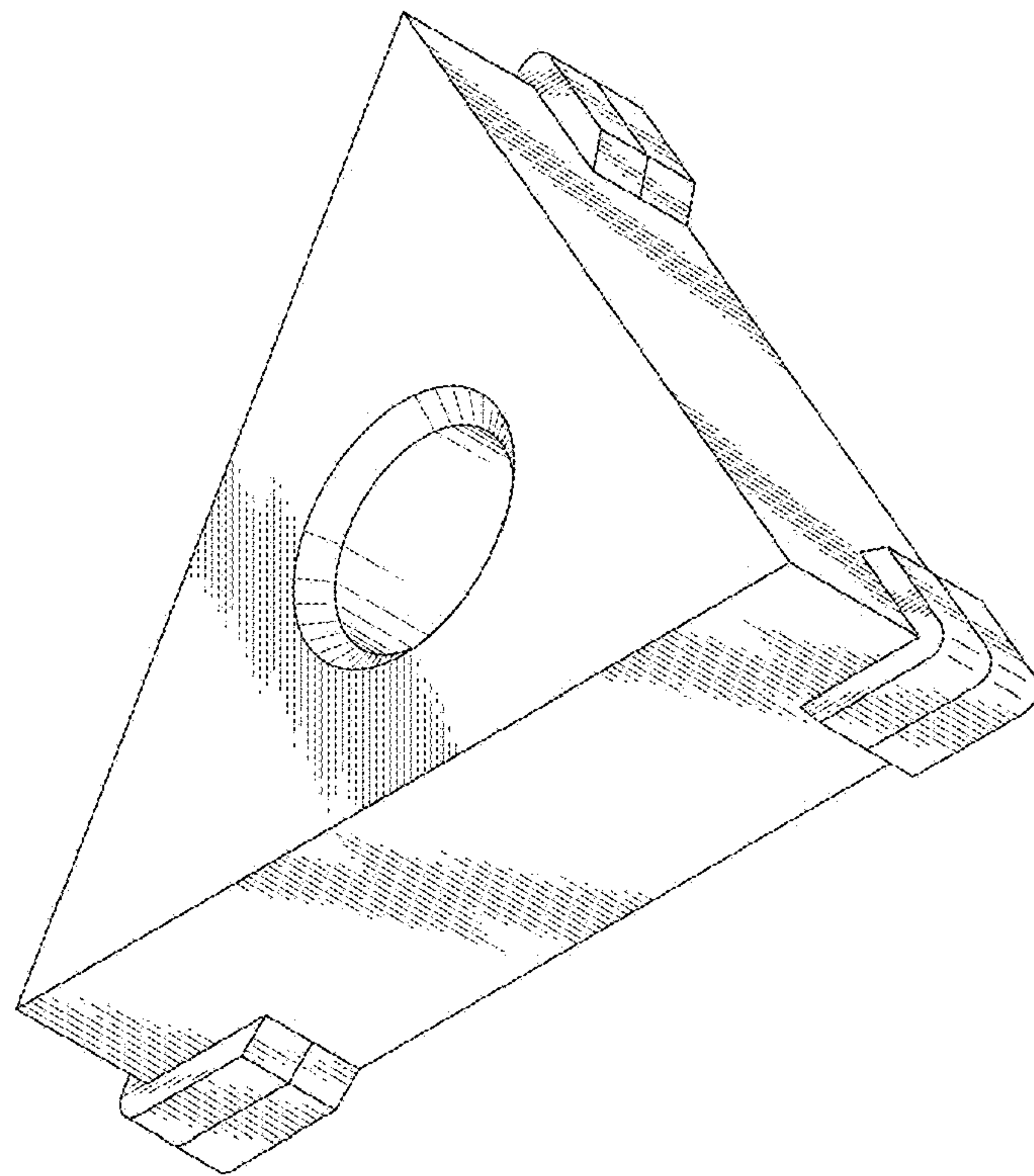


FIG.9

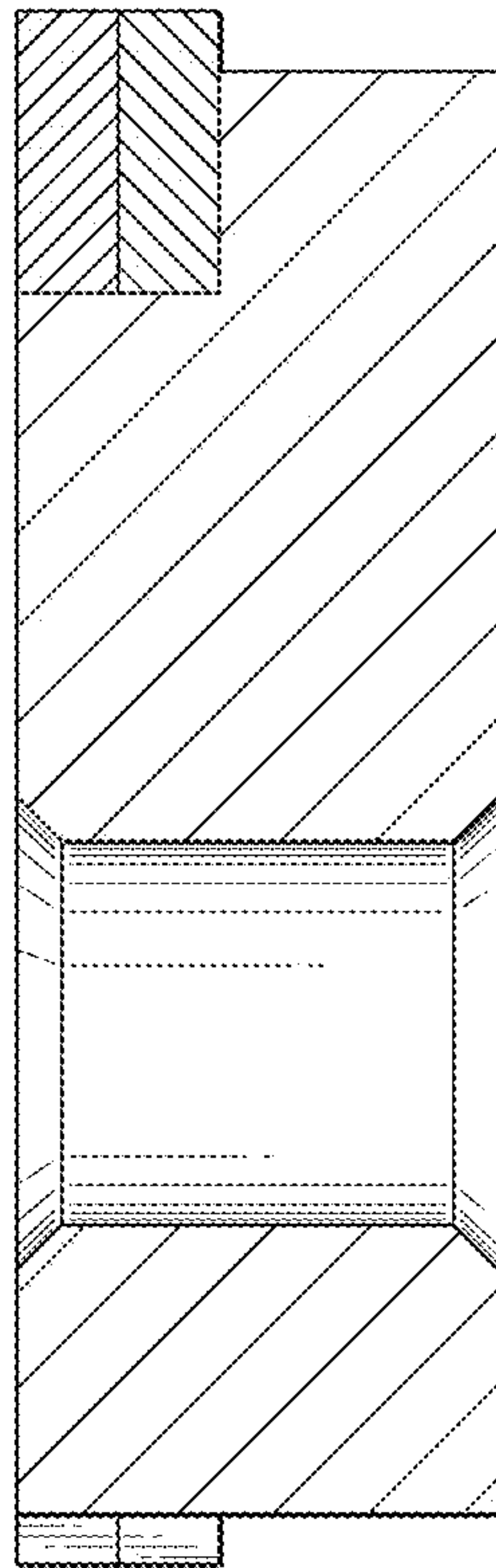


FIG.10

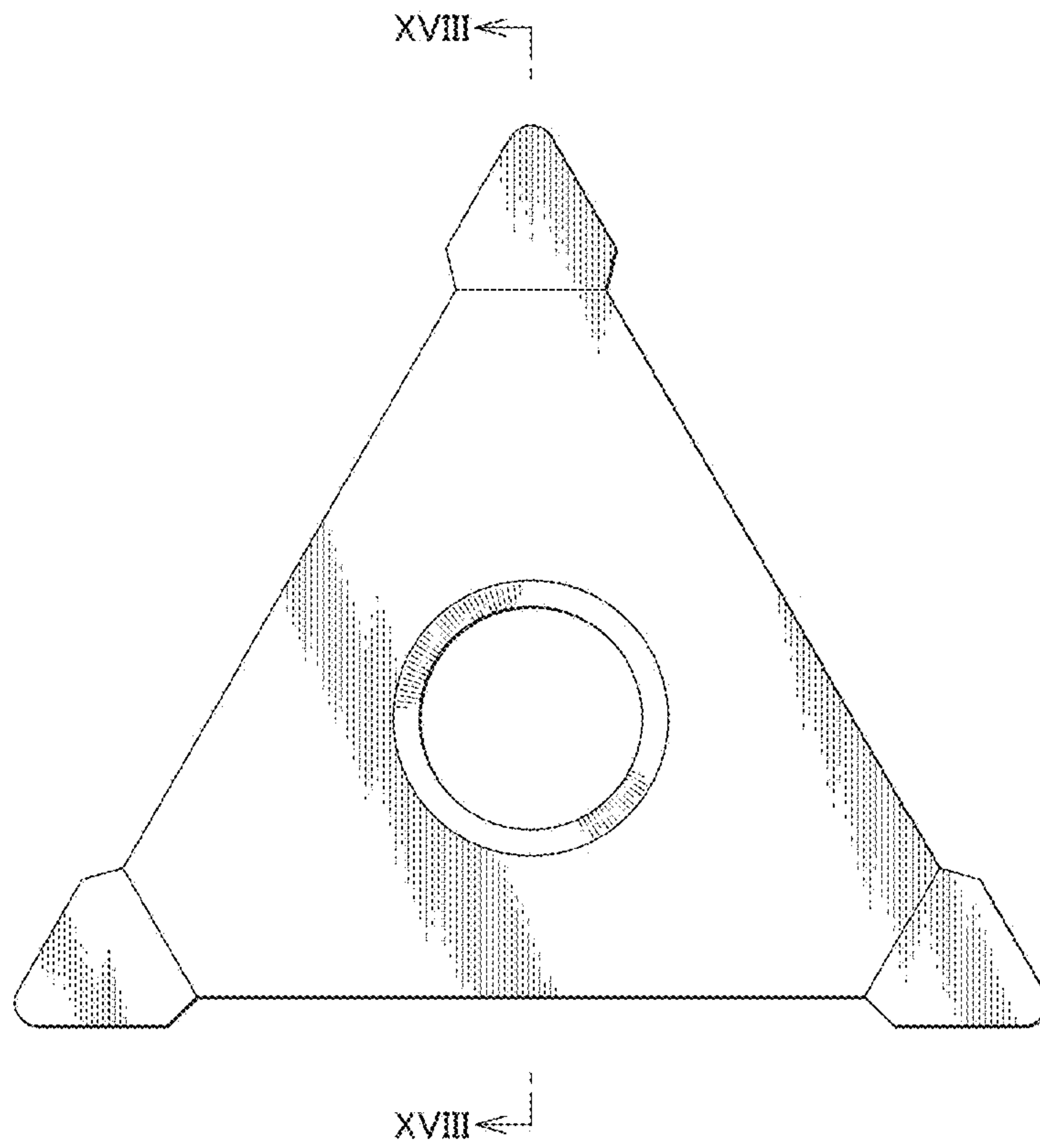


FIG.11

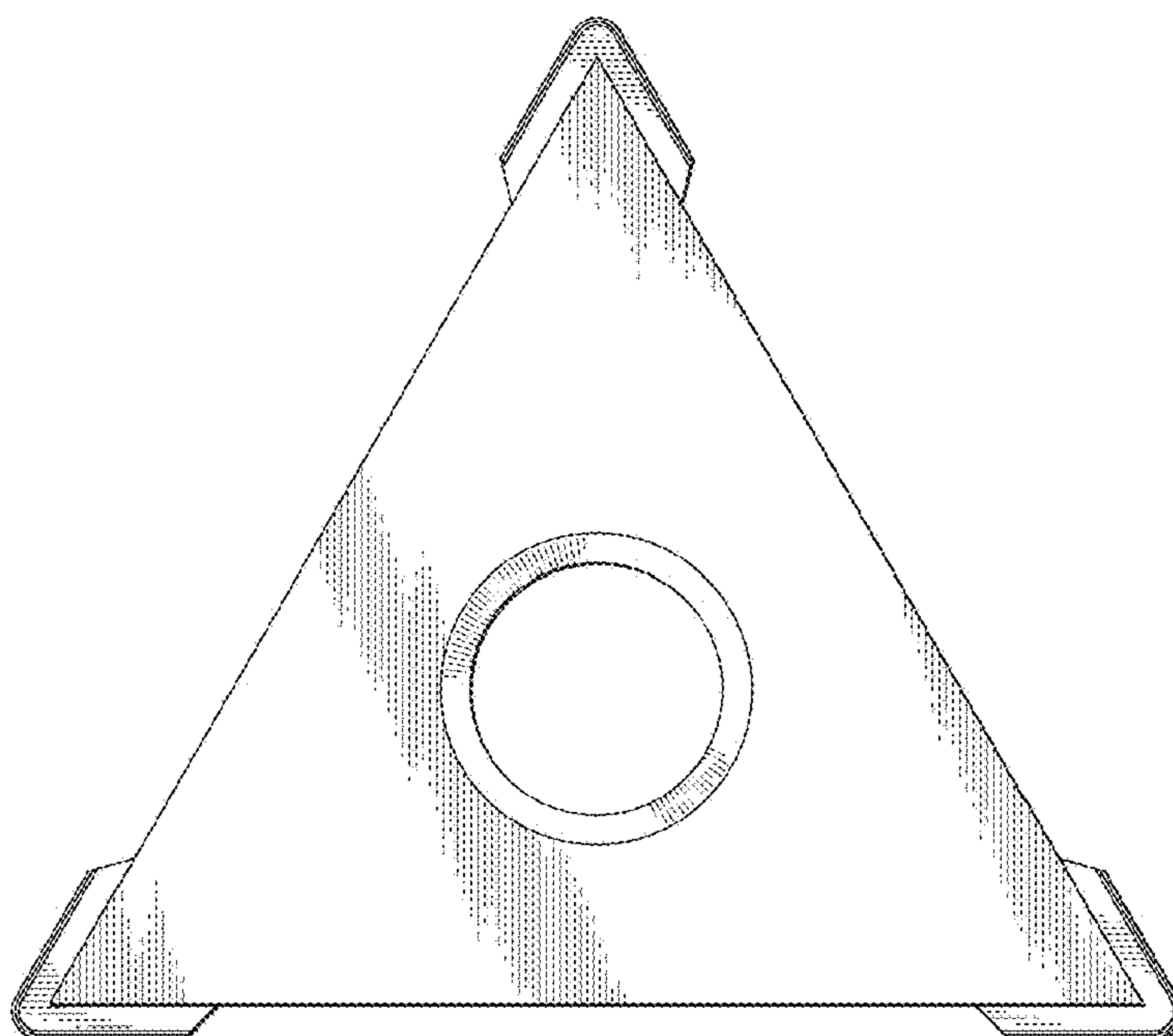


FIG.12

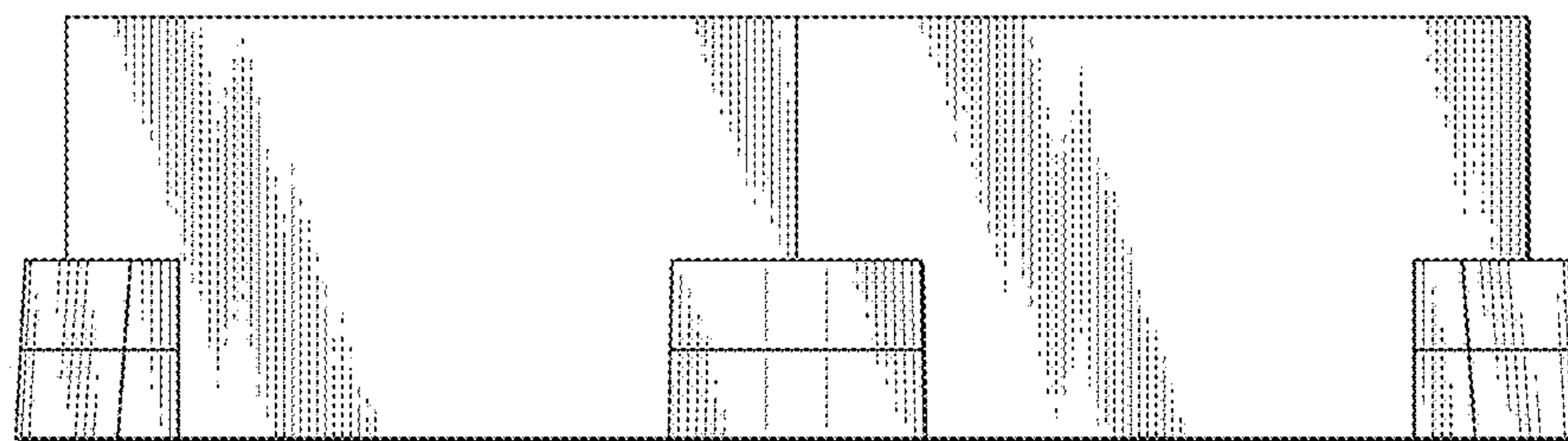


FIG.13



FIG. 14

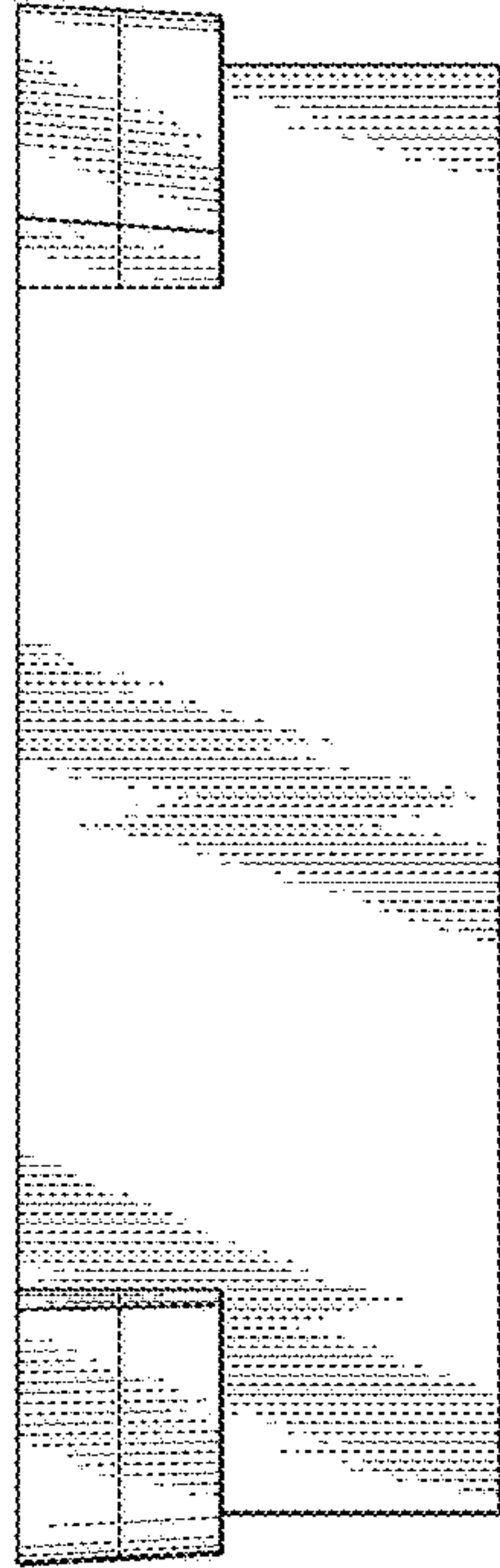


FIG. 15

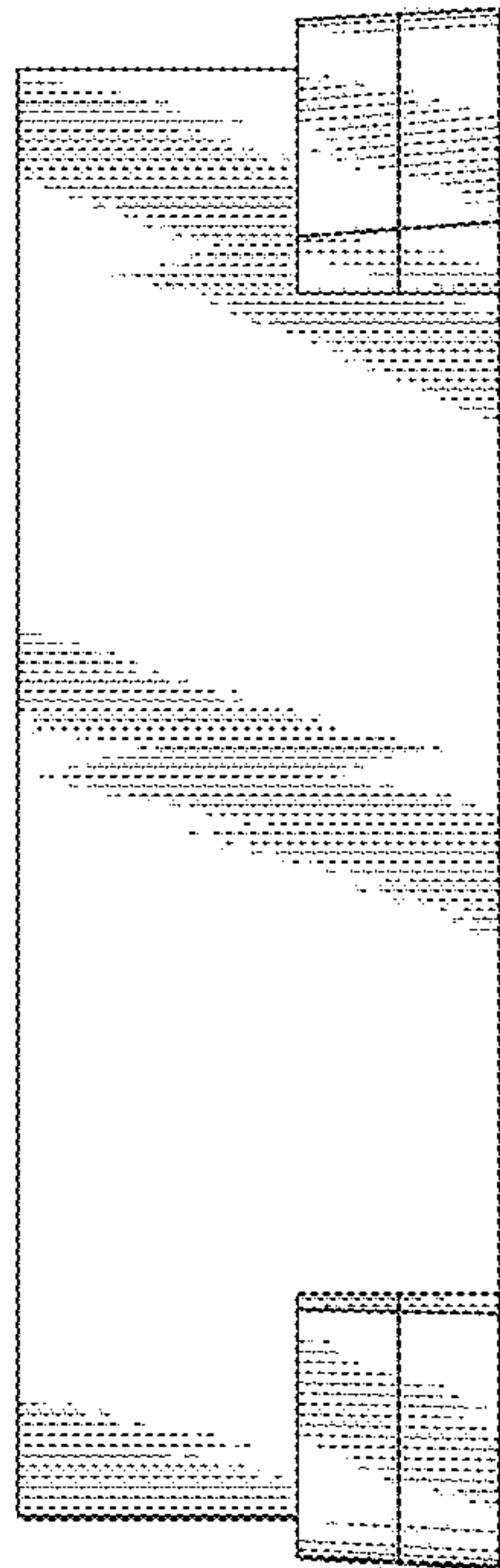


FIG.16

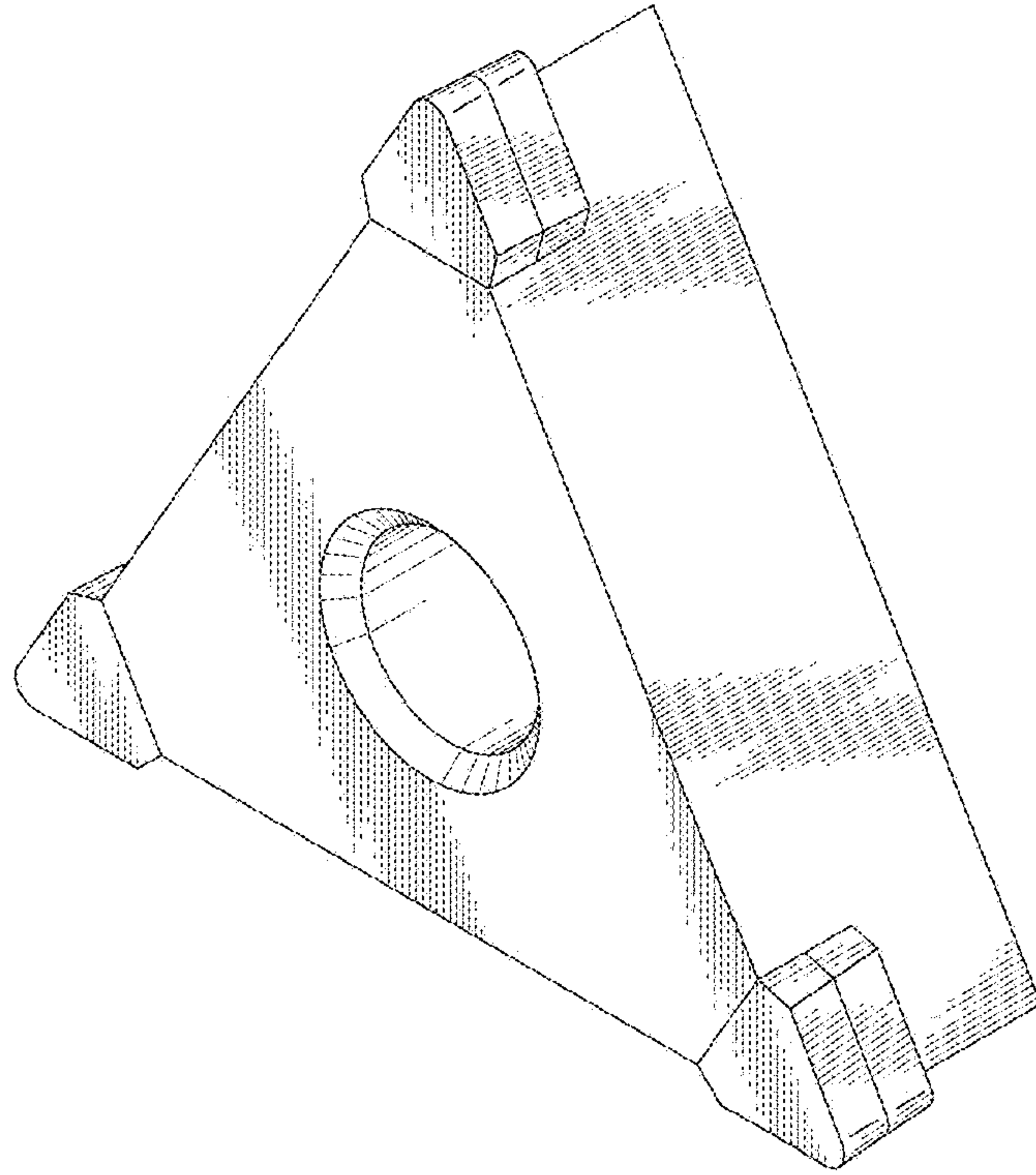


FIG.17

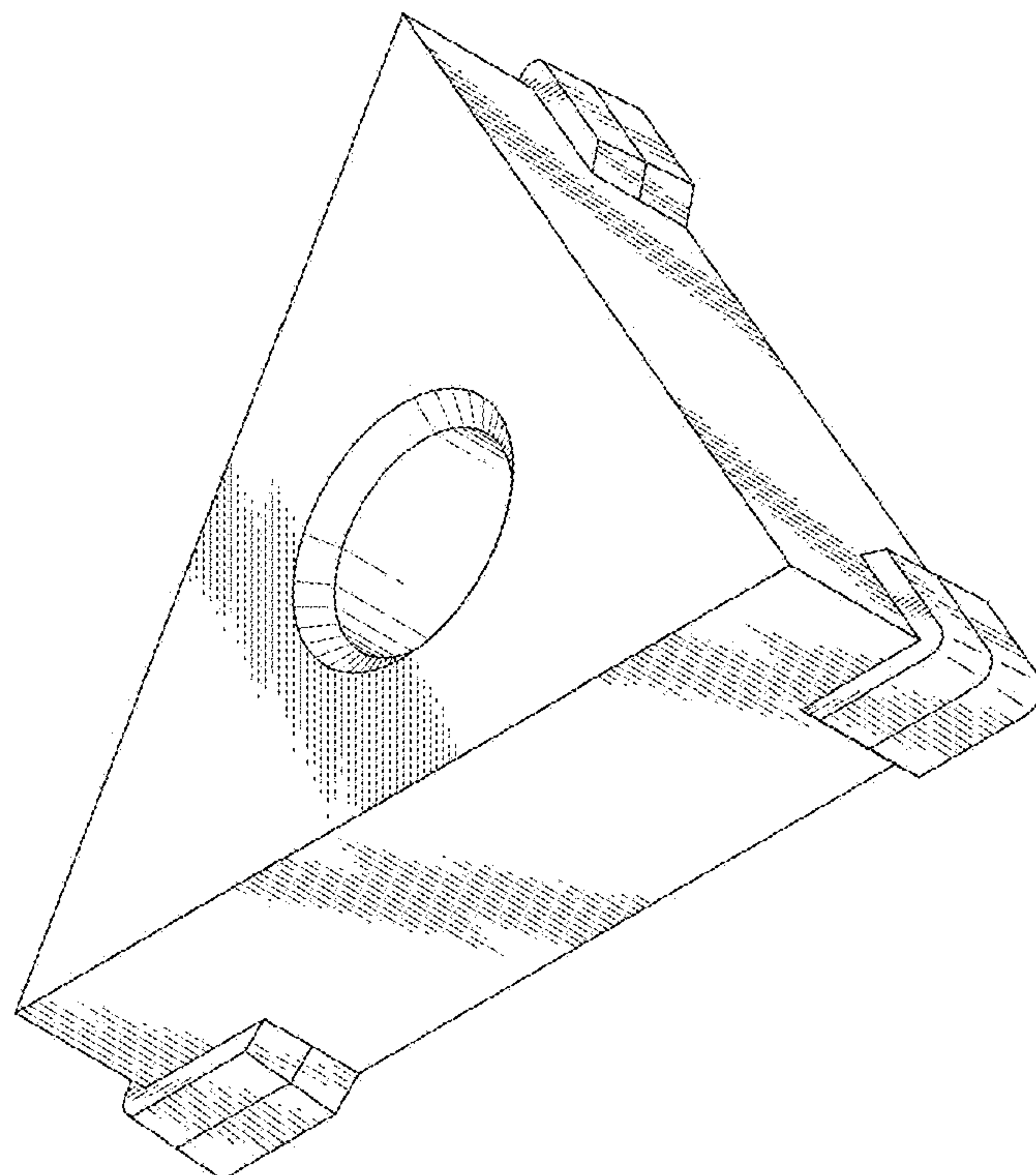


FIG.18

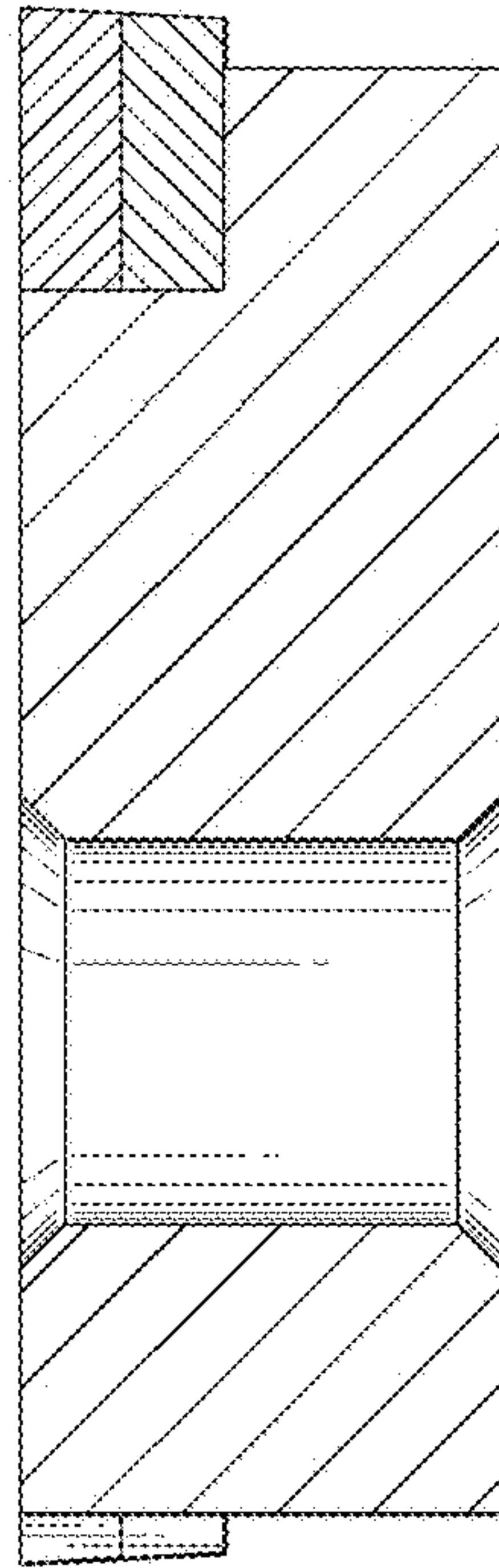


FIG.19

