



US00D842908S

(12) **United States Design Patent**
Diebold et al.

(10) **Patent No.:** **US D842,908 S**
(45) **Date of Patent:** **** Mar. 12, 2019**

(54) **OPERATOR STATION HVAC COVER**

(71) Applicant: **Deere & Company**, Moline, IL (US)

(72) Inventors: **Elizabeth A. Diebold**, Dubuque, IA (US); **Daniel R. Klein**, Peosta, IA (US); **Amy Wessel**, Edgewood, IA (US); **Thomas Ward**, Ventura, CA (US)

(73) Assignee: **DEERE & COMPANY**, Moline, IL (US)

(**) Term: **15 Years**

(21) Appl. No.: **29/605,156**

(22) Filed: **May 24, 2017**

(51) **LOC (11) Cl.** **15-03**

(52) **U.S. Cl.**
USPC **D15/30**

(58) **Field of Classification Search**
USPC D10/46; D15/28, 30, 31, 22, 23, 24, 25, D15/26; D34/37
CPC .. B66C 13/54; E02F 9/16; E02F 9/163; E02F 9/06; B62D 33/0617; B62D 49/00-49/085; B62D 33/06-33/073; B60J 7/00; B60J 1/004; B60J 1/02; B60J 1/04; B60J 5/0487

See application file for complete search history.

(56) **References Cited**

U.S. PATENT DOCUMENTS

D814,530 S * 4/2018 Takaoka D15/30

* cited by examiner

Primary Examiner — Antoine Duval Davis

(74) *Attorney, Agent, or Firm* — Klintworth & Rozenblat IP LLP

(57) **CLAIM**

The ornamental design for an operator station HVAC cover, as shown and described.

DESCRIPTION

FIG. 1 is a perspective view of an operator station HVAC cover showing our new design.

FIG. 2 is a left side view thereof.

FIG. 3 is a right side view thereof.

FIG. 4 is a front view thereof.

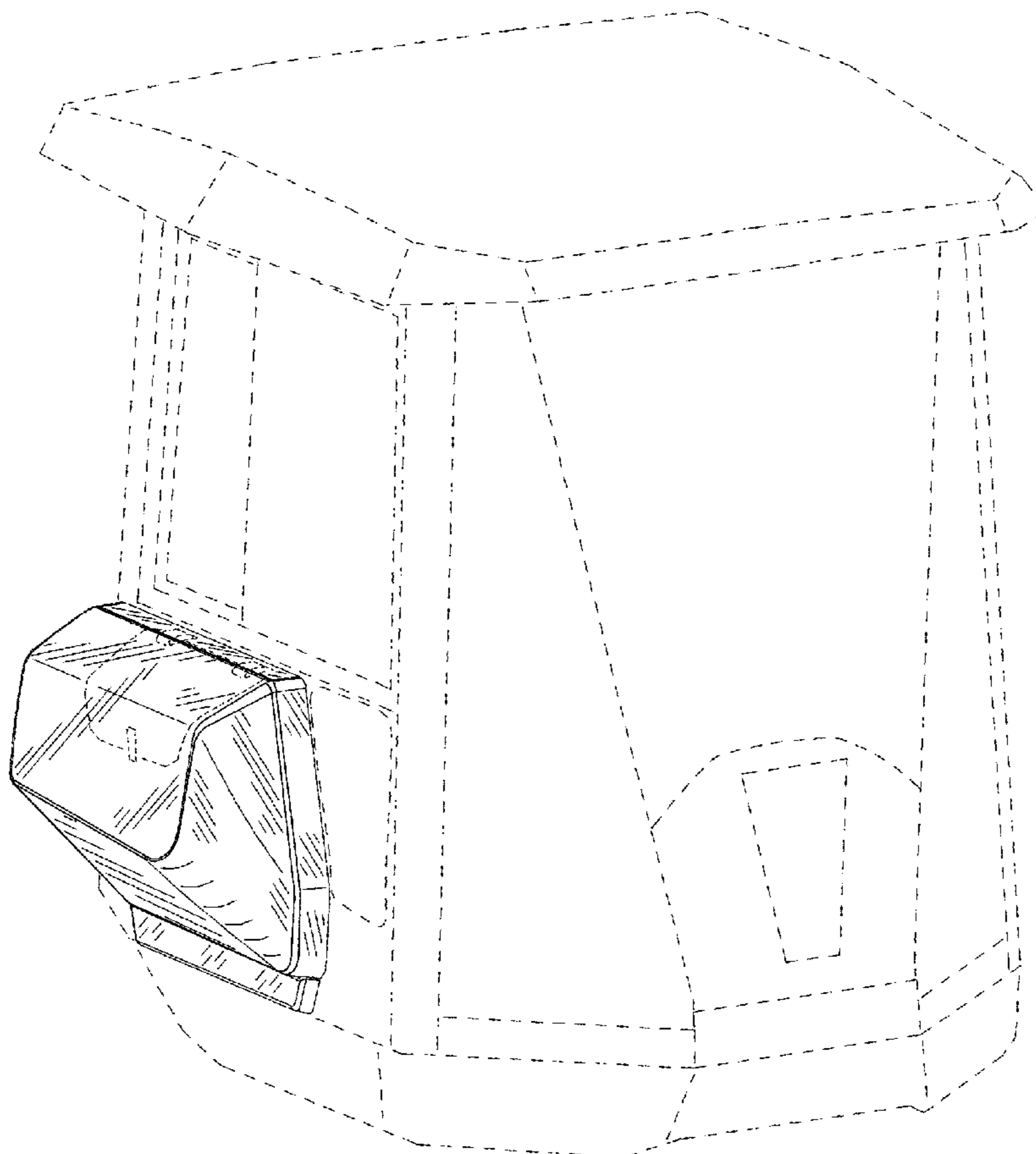
FIG. 5 is a rear view thereof.

FIG. 6 is a top view thereof; and,

FIG. 7 is a bottom view thereof.

The broken line representations of environmental structure in FIGS. 1-7 is for illustrative purposes only and forms no part of the claimed design.

1 Claim, 7 Drawing Sheets



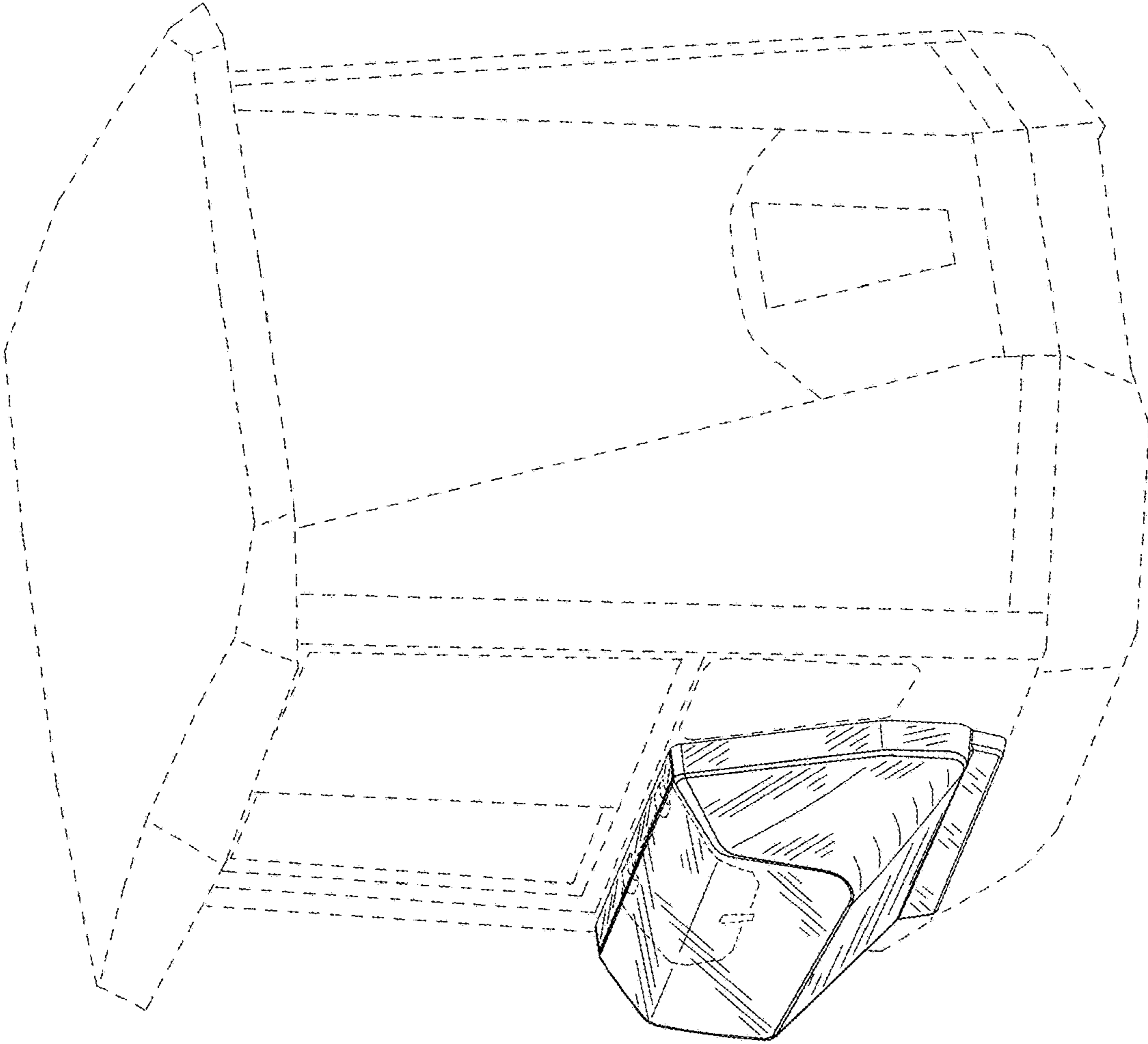


FIG. 1

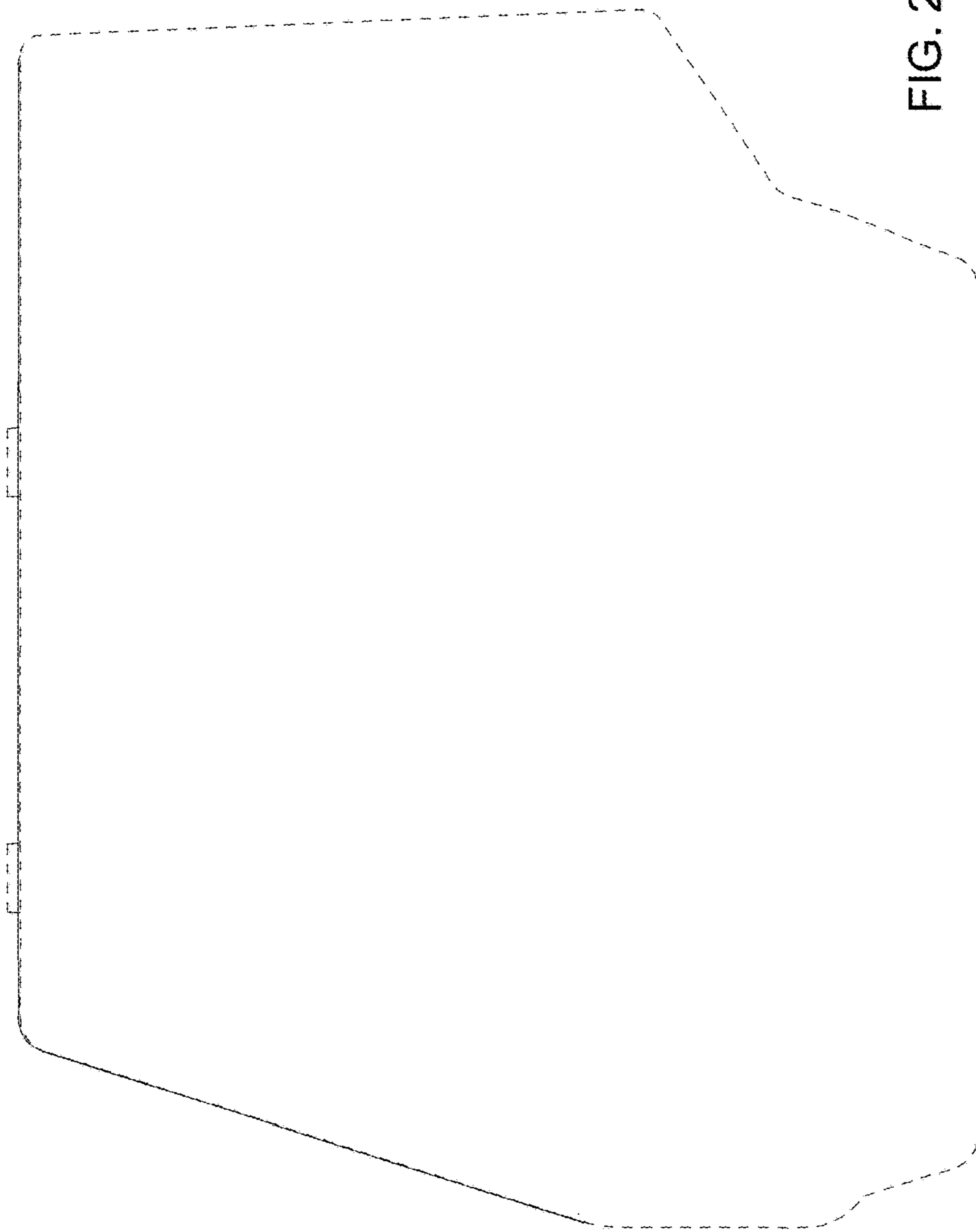


FIG. 2

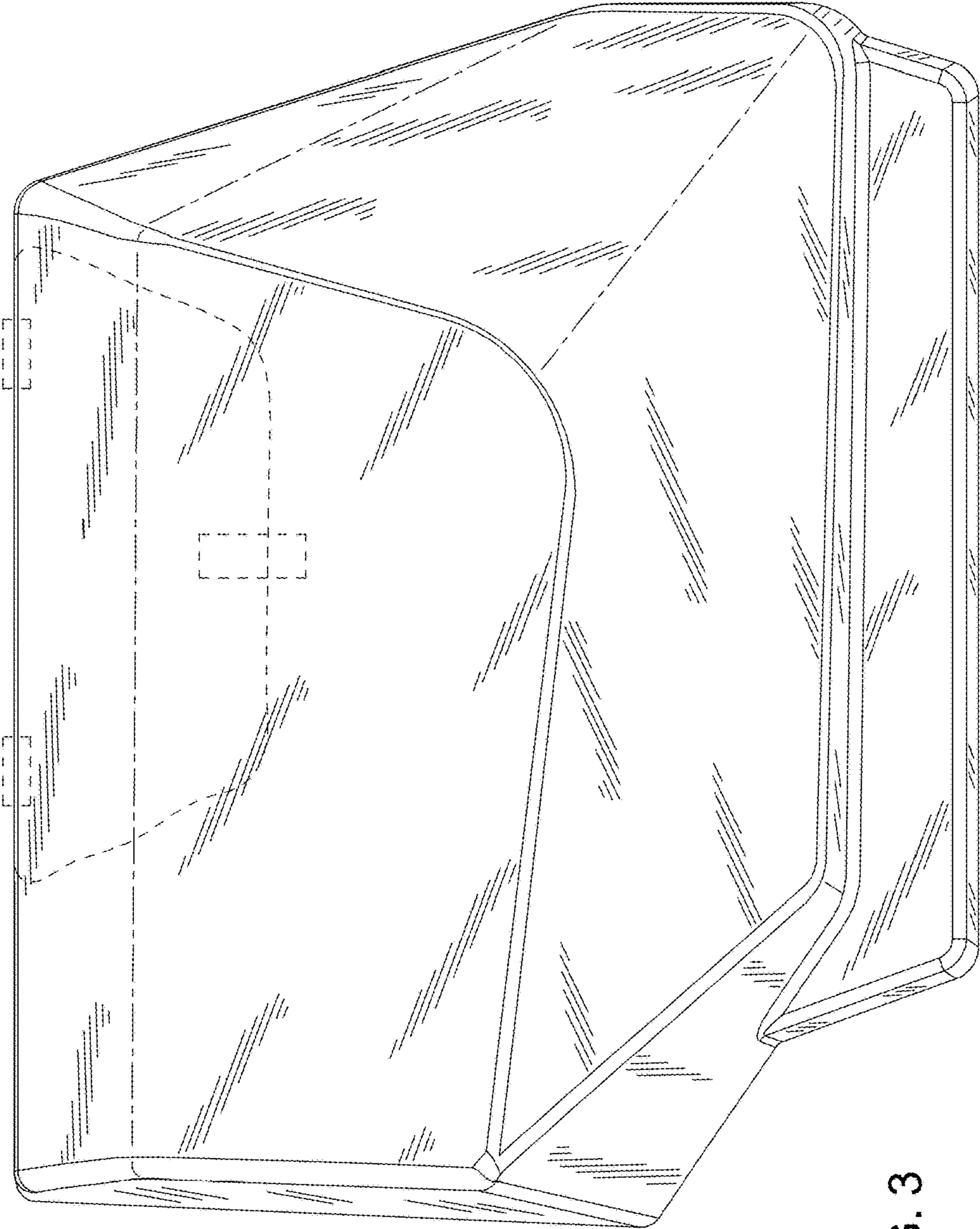


FIG. 3

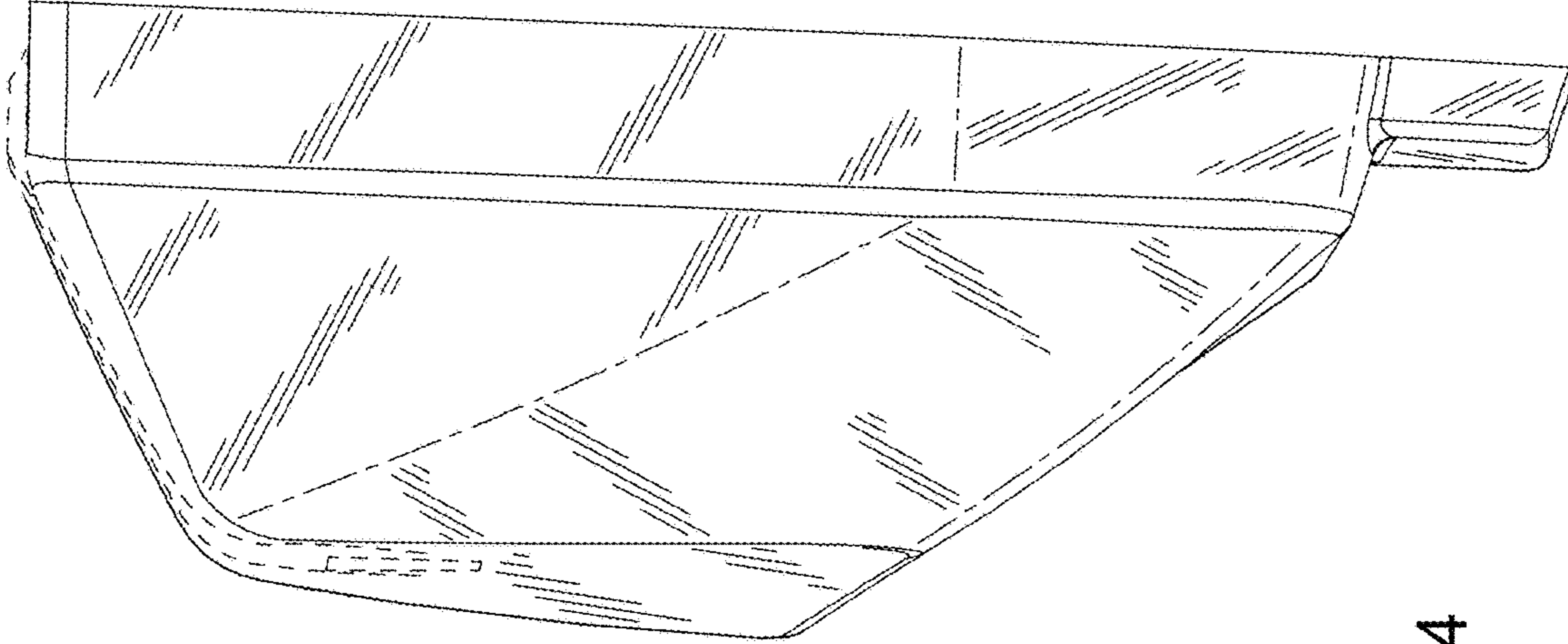


FIG. 4

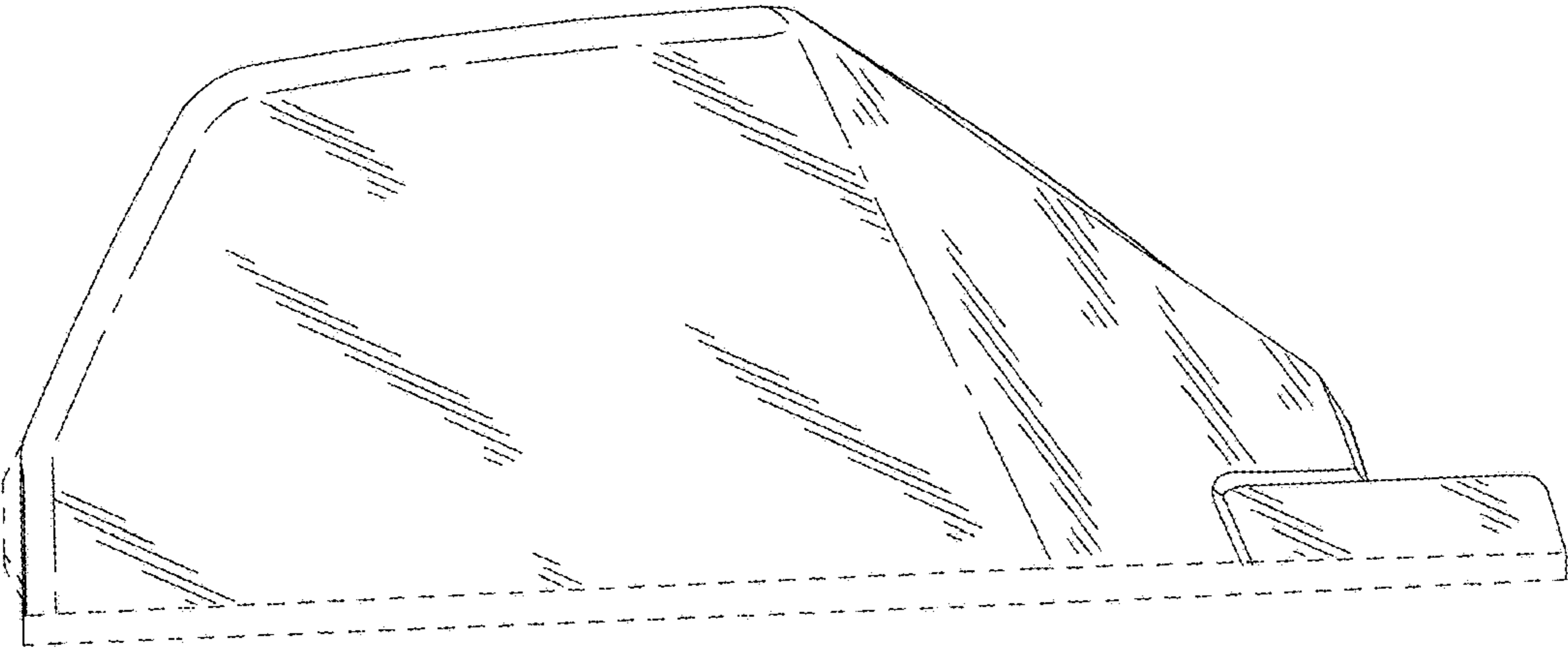


FIG. 5

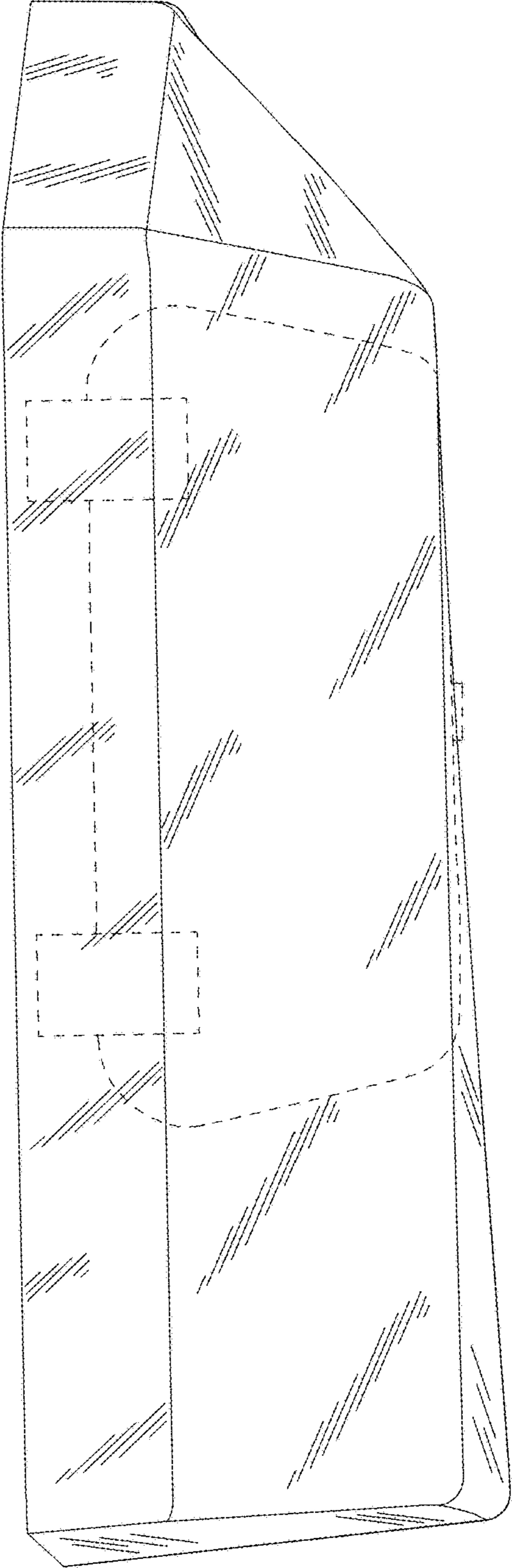


FIG. 6

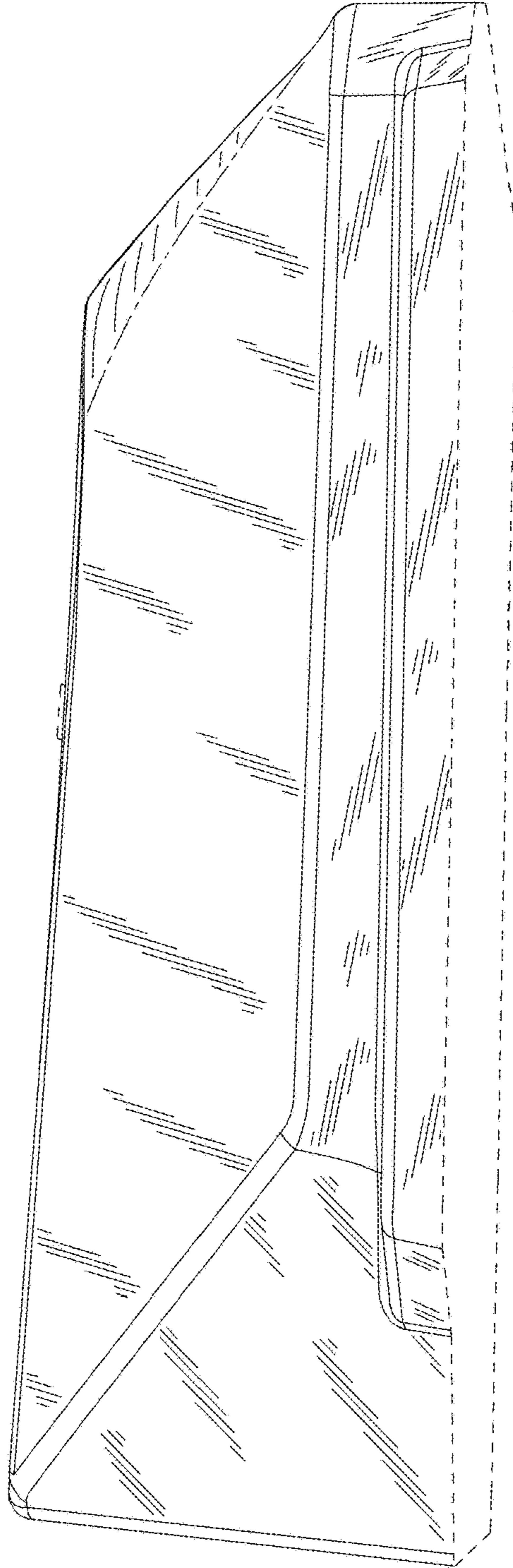


FIG. 7