



US00D842904S

(12) **United States Design Patent**
Geldenhuis et al.

(10) **Patent No.:** **US D842,904 S**
(45) **Date of Patent:** **** Mar. 12, 2019**

(54) **CASING**
(71) Applicant: **BATTLEMAX (PTY) LTD.**, Centurion (ZA)
(72) Inventors: **Siegfried Geldenhuis**, Knysna (ZA); **Marthinus Jacobus Buitendag**, Centurion (ZA)
(73) Assignee: **BATTLEMAX (PTY) LTD.**, Centurion (ZA)

8,790,077 B2 * 7/2014 Burgess F04D 29/4286 415/127
D740,327 S * 10/2015 Naruoka D15/5
2007/0014662 A1 * 1/2007 Burgess F04D 29/4286 415/197
2009/0068002 A1 * 3/2009 Burgess F04D 7/04 415/196
2011/0142599 A1 * 6/2011 Burgess F04D 29/4286 415/127
2014/0140836 A1 * 5/2014 Embrey F04D 29/026 415/204

(**) Term: **15 Years**
(21) Appl. No.: **29/596,395**
(22) Filed: **Mar. 8, 2017**

* cited by examiner
Primary Examiner — T Chase Nelson
Assistant Examiner — Ania Aman
(74) *Attorney, Agent, or Firm* — Tutunjian & Bitetto, P.C.

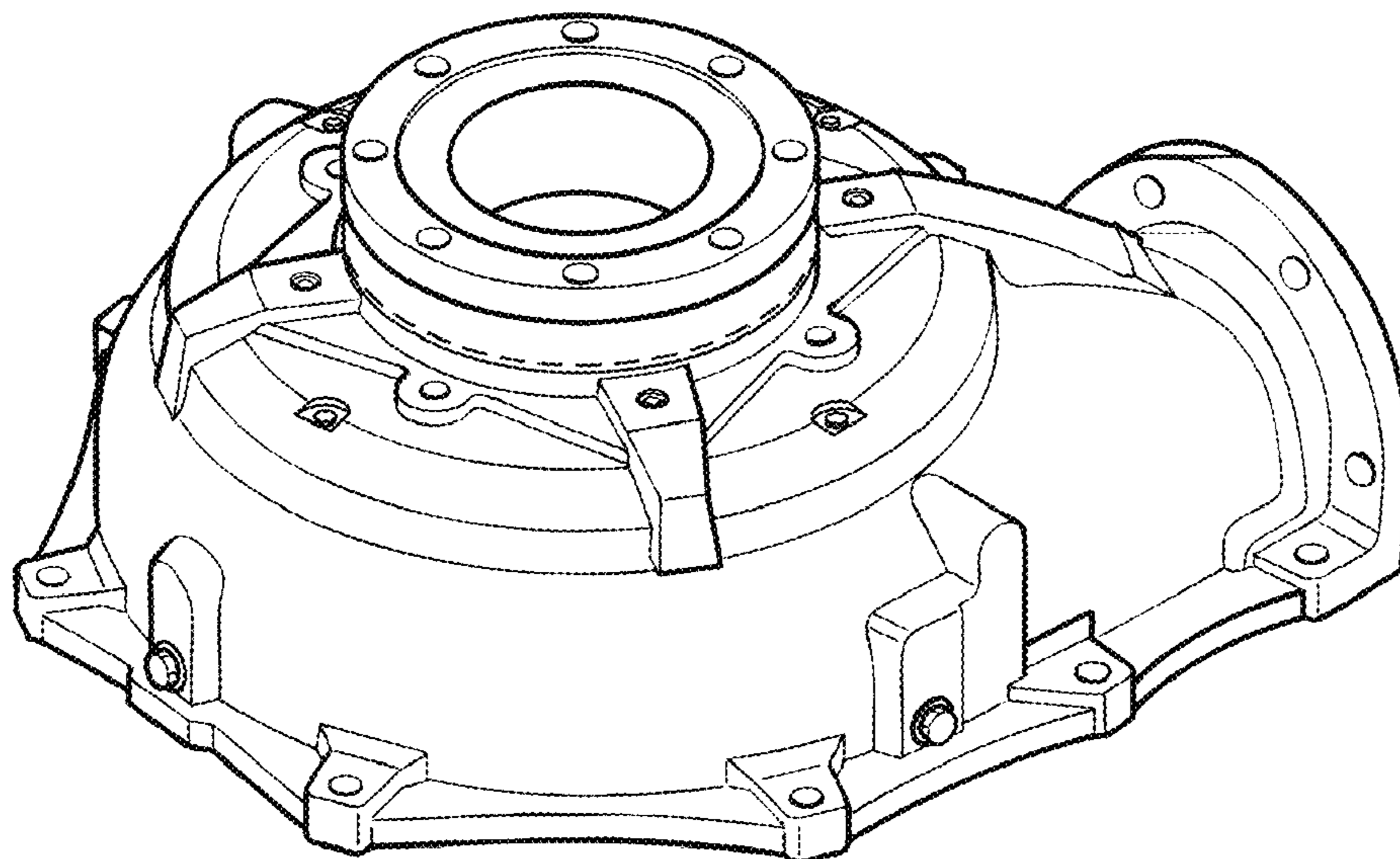
(30) **Foreign Application Priority Data**
Sep. 9, 2016 (ZA) F2016/01324
(51) **LOC (11) Cl.** **15-02**
(52) **U.S. Cl.**
USPC **D15/7**
(58) **Field of Classification Search**
USPC D15/5-9; D23/231, 232, 225
CPC F02M 37/04; F02M 37/14; F04D 29/4286;
F04D 1/00; F04D 1/063; F04D 1/066;
F04D 7/02; F04D 17/08; F04D 29/005;
F04D 29/40; F04D 29/026; F04D
29/4293; F04D 7/04; F04D 15/0033;
F04D 17/125; F04D 17/127; B29C
43/203; B29C 43/003
See application file for complete search history.

(56) **References Cited**
U.S. PATENT DOCUMENTS
D609,248 S * 2/2010 Foreman D15/7
D616,902 S * 6/2010 Foreman D15/7

(57) **CLAIM**
The ornamental design for a casing, as shown and described.

DESCRIPTION
FIG. 1 is a perspective view of the casing showing our new design;
FIG. 2 is a top view thereof;
FIG. 3 is a bottom view thereof;
FIG. 4 is a right side view thereof;
FIG. 5 is a left side view thereof;
FIG. 6 is a front view thereof; and,
FIG. 7 is a rear side view thereof.
The broken lines in the drawings illustrate the portions of the casing that form no part of the claim.

1 Claim, 3 Drawing Sheets



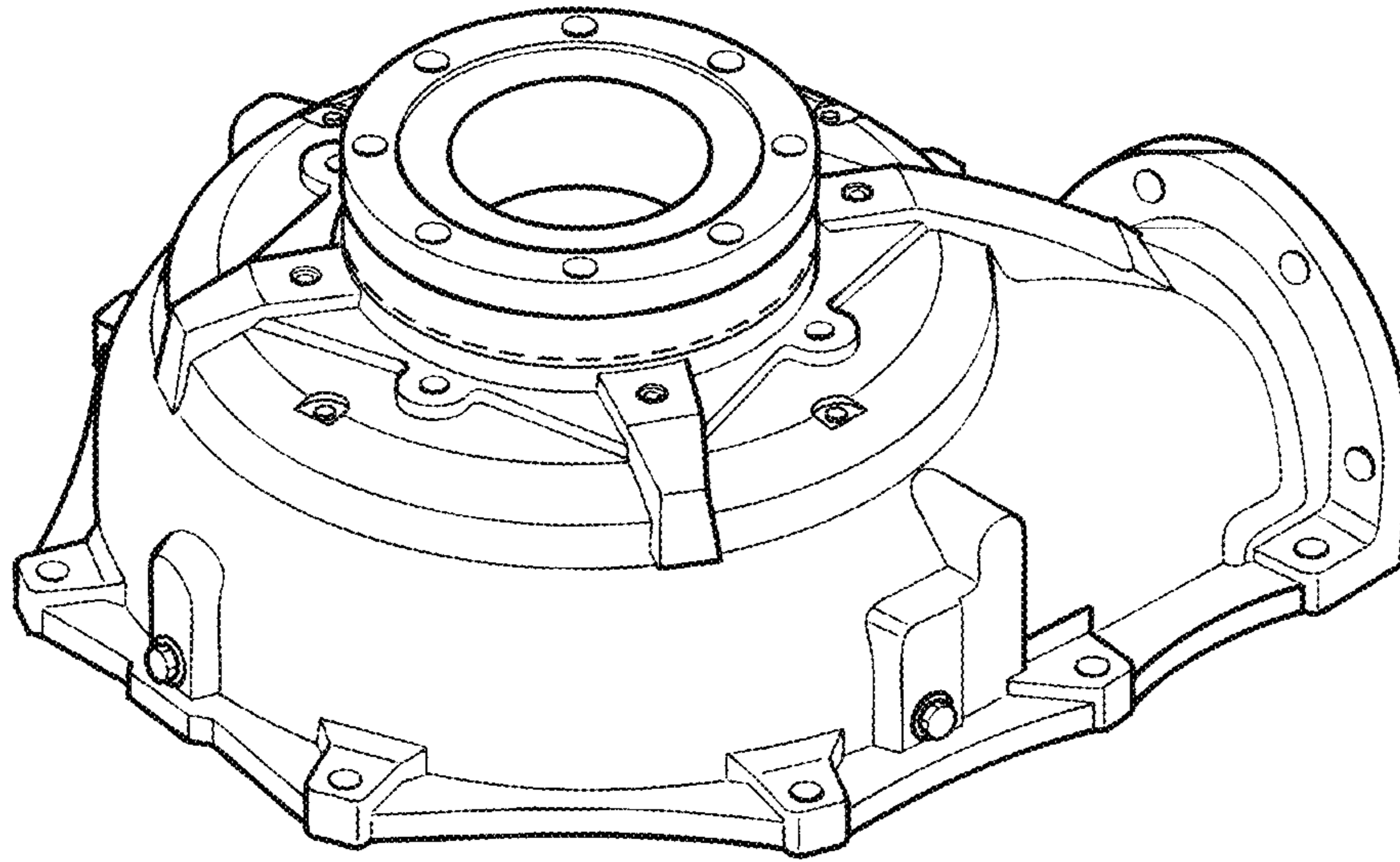


FIG. 1

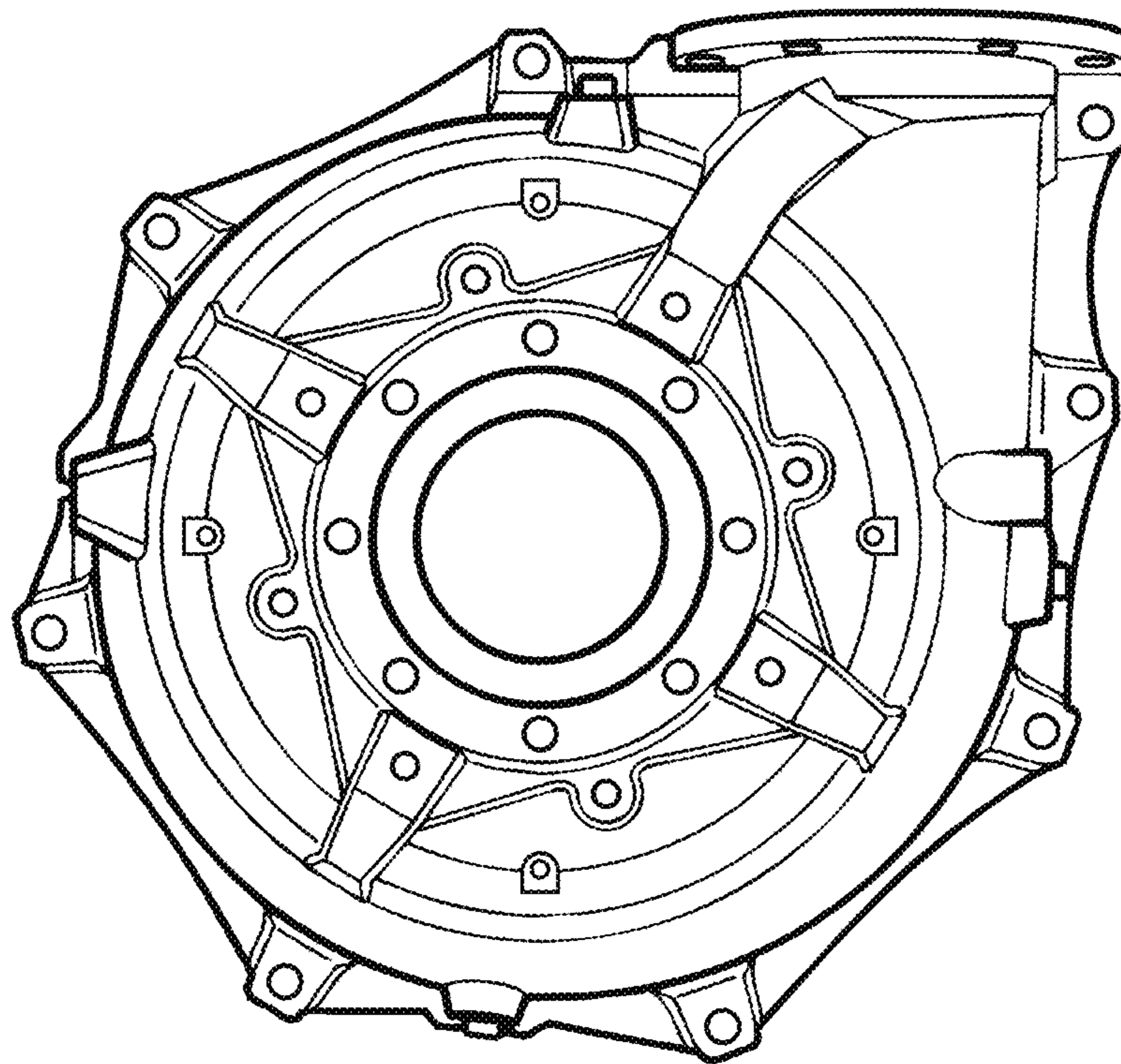


FIG. 2

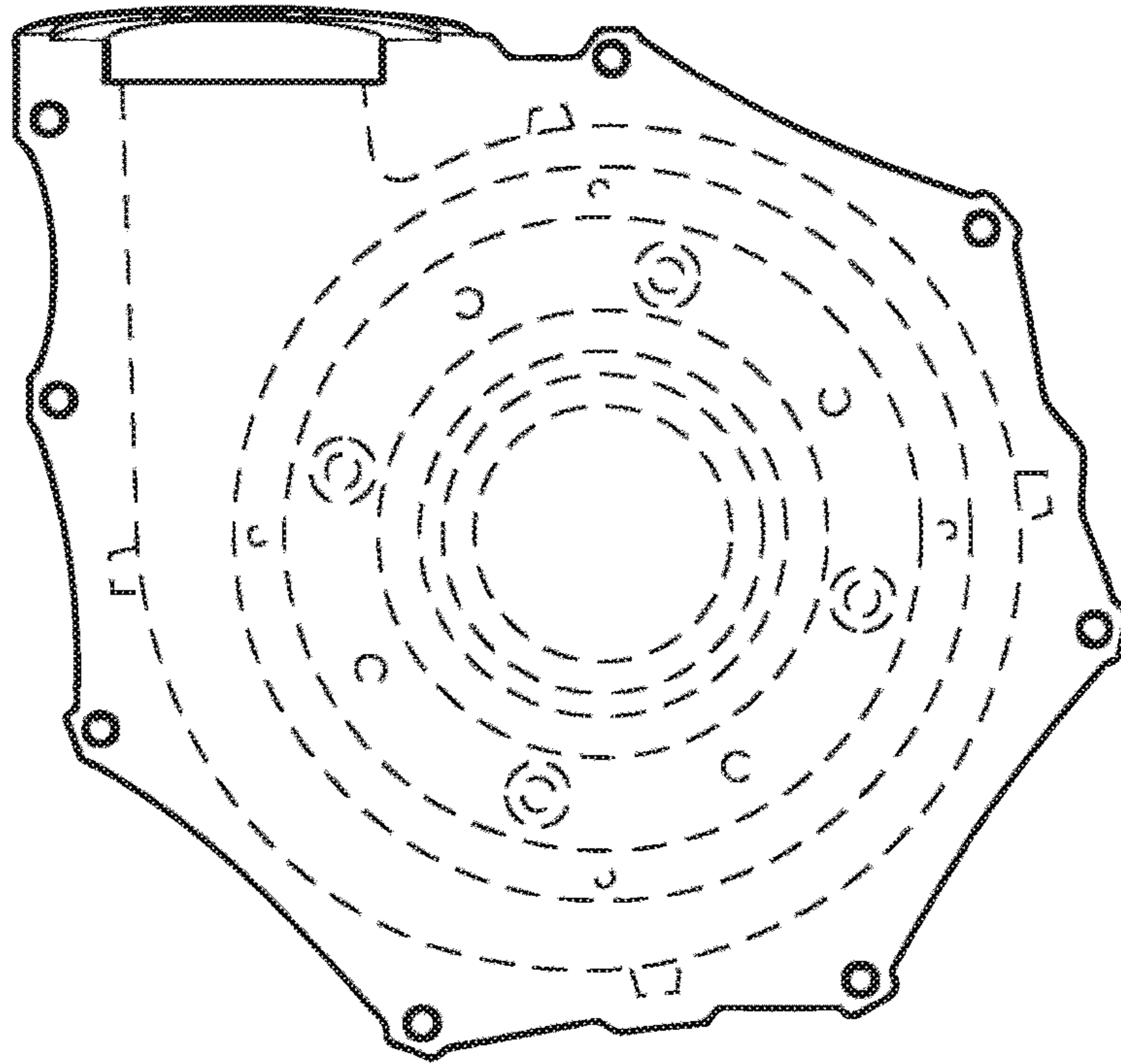


FIG. 3

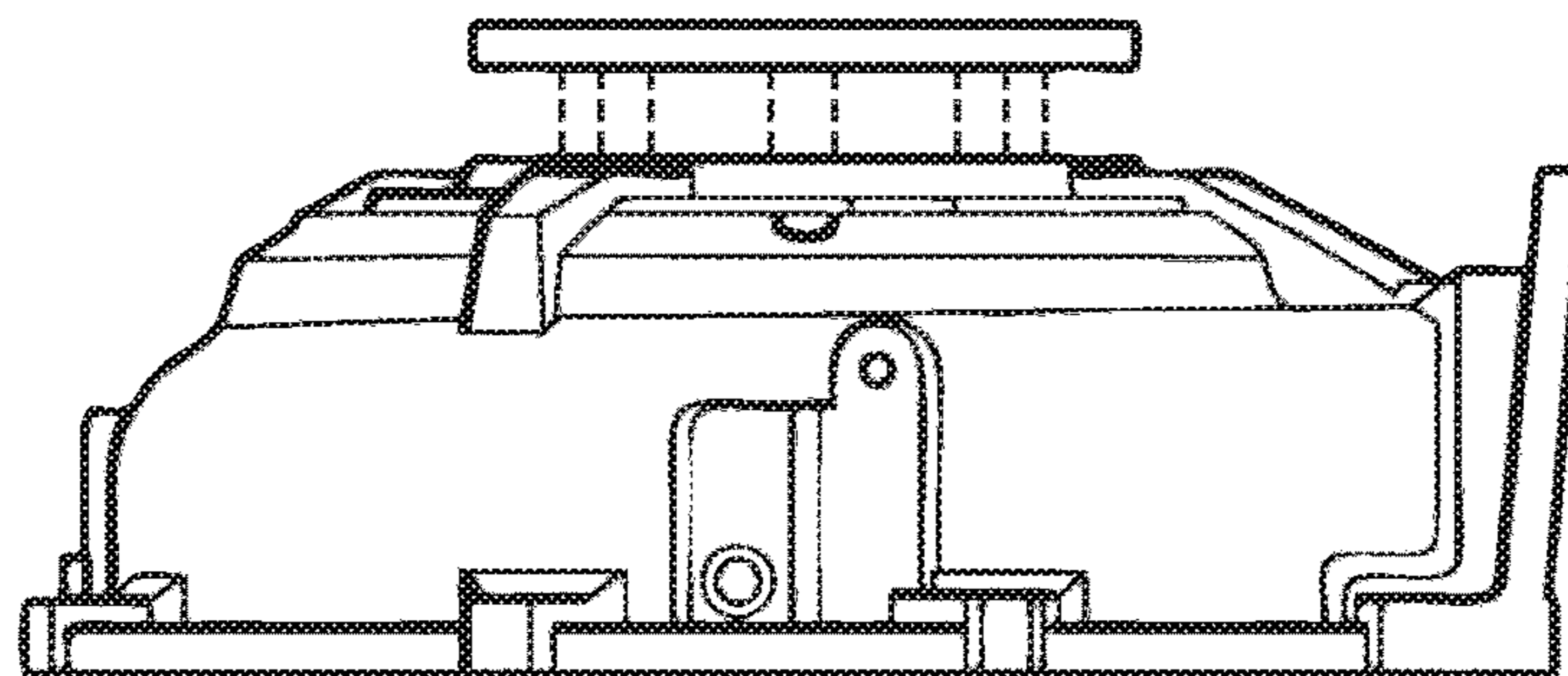


FIG. 4

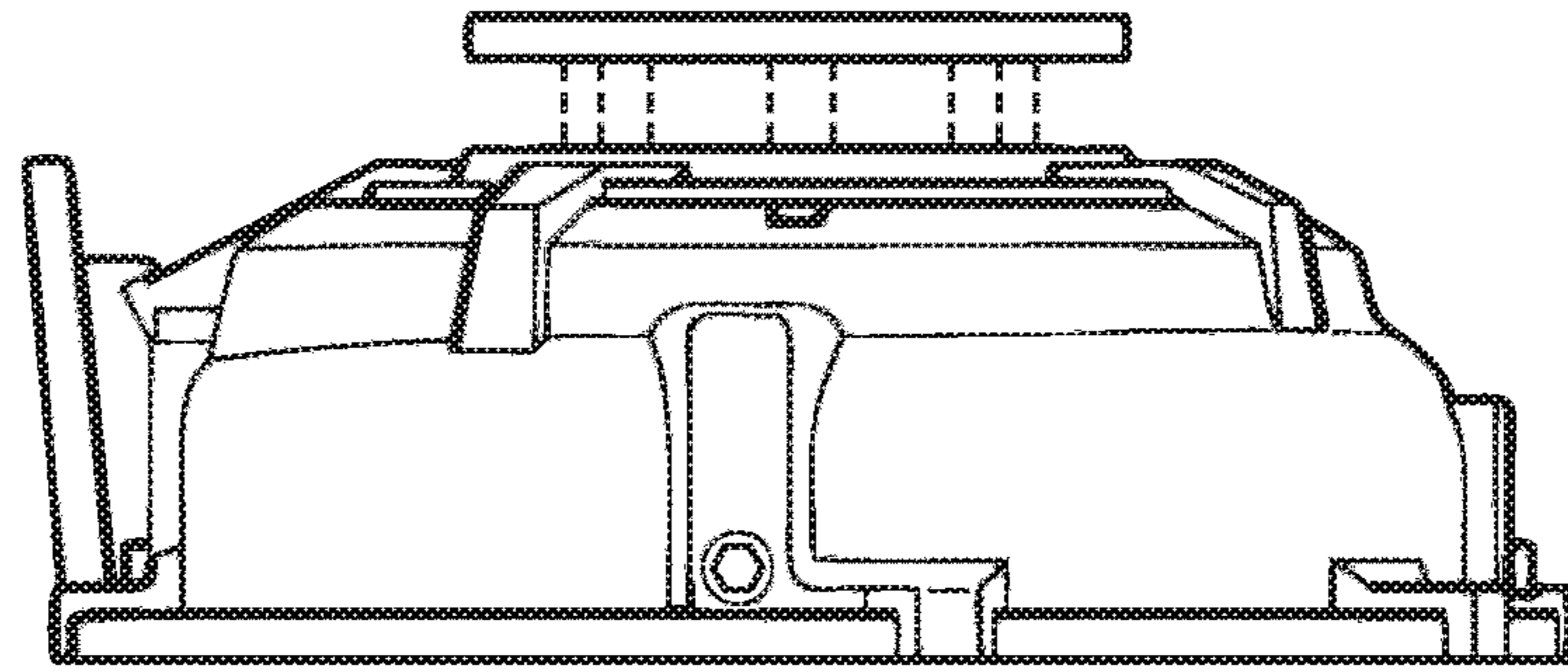


FIG. 5

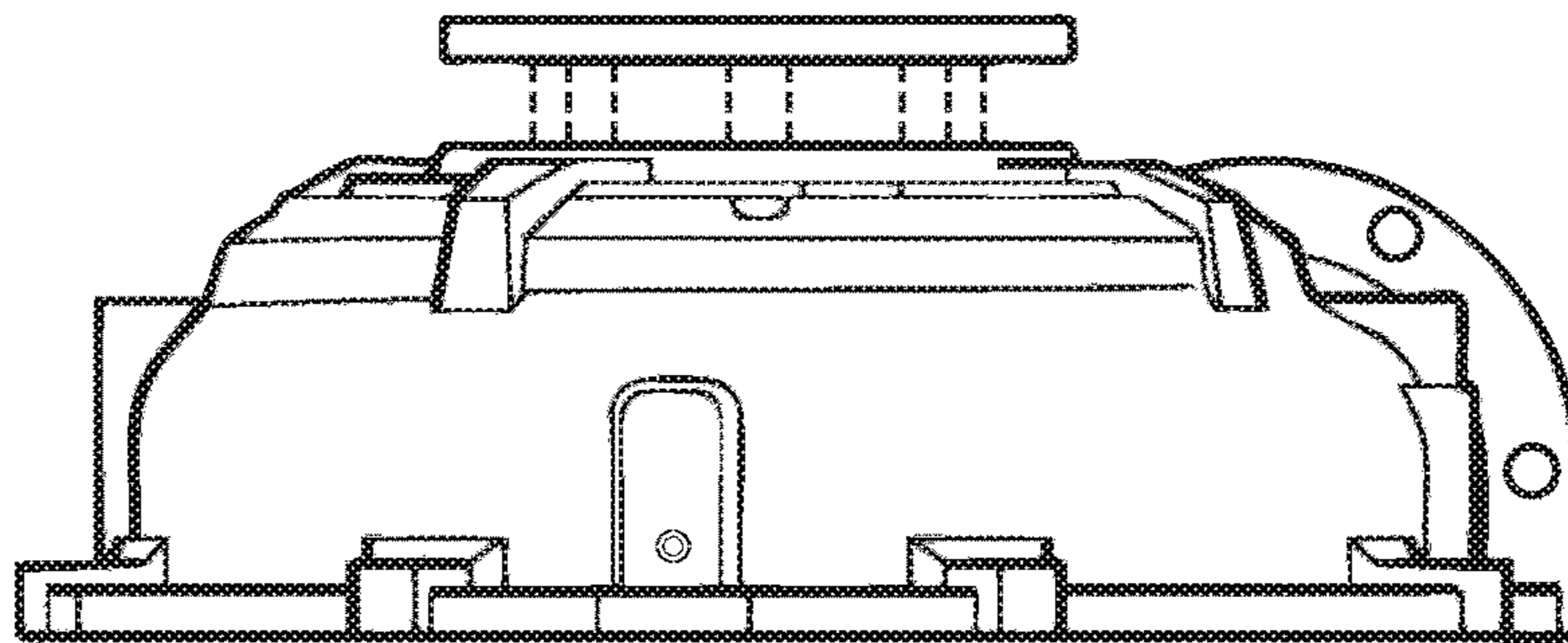


FIG. 6

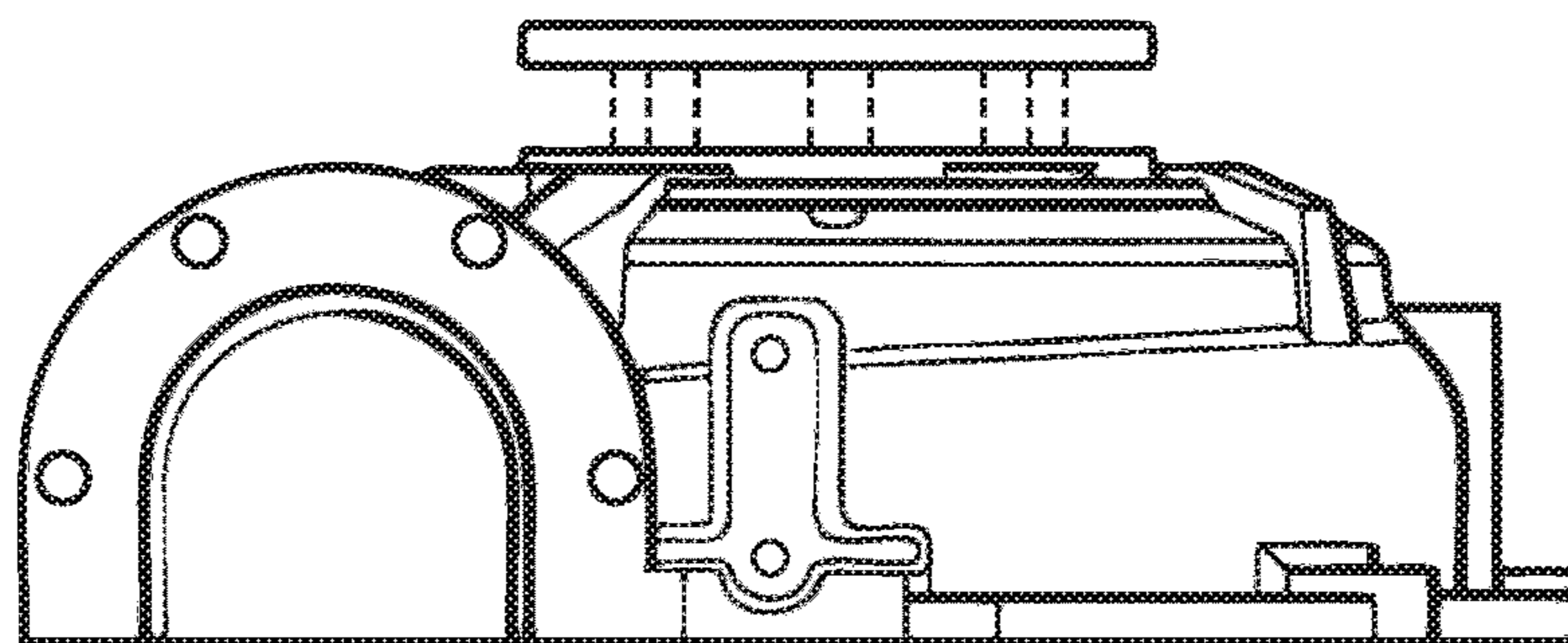


FIG. 7