



US00D842874S

(12) **United States Design Patent**
Tashiro et al.

(10) **Patent No.:** **US D842,874 S**
(45) **Date of Patent:** **** Mar. 12, 2019**

(54) **DISPLAY SCREEN WITH GRAPHICAL USER INTERFACE**

(71) Applicant: **MITSUBISHI ELECTRIC CORPORATION**, Tokyo (JP)

(72) Inventors: **Saika Tashiro**, Tokyo (JP); **Takayasu Hashimoto**, Tokyo (JP)

(73) Assignee: **Mitsubishi Electric Corporation**, Tokyo (JP)

(**) Term: **15 Years**

(21) Appl. No.: **29/575,102**

(22) Filed: **Aug. 22, 2016**

(30) **Foreign Application Priority Data**

Feb. 25, 2016 (JP) 2016-004022
Feb. 25, 2016 (JP) 2016-004023

(51) **LOC (11) Cl.** **14-04**

(52) **U.S. Cl.**
USPC **D14/486**

(58) **Field of Classification Search**
USPC D14/485–495
CPC .. G06F 3/0481; G06F 3/0482; G06F 3/04817;
G06F 3/04883; G06F 3/04815; G06F
3/0485; G06F 3/04886

See application file for complete search history.

(56) **References Cited**

U.S. PATENT DOCUMENTS

D625,734 S * 10/2010 Kurozumi D14/488
D643,437 S * 8/2011 Chaudhri D14/486
D695,771 S * 12/2013 Tagliabue D14/486
D695,775 S * 12/2013 Brinda D14/486
D704,725 S * 5/2014 Yu D14/486
8,825,759 B1 * 9/2014 Jackson H04L 67/02
709/204
D720,766 S * 1/2015 Mandel D14/486

8,938,612 B1 * 1/2015 Mittal G06F 21/604
340/501
D725,133 S * 3/2015 Smirin G06F 3/04817
D14/486
D726,736 S * 4/2015 Smirin G06F 3/04817
D14/485
9,009,805 B1 * 4/2015 Kirkby G06K 9/00711
726/7
D752,604 S * 3/2016 Zhang D14/485
D755,193 S * 5/2016 Sun D14/485
D761,294 S * 7/2016 Weeresinghe D14/486
D763,880 S * 8/2016 Williams D14/486
9,436,705 B2 * 9/2016 Shakib G06F 17/30256
D769,925 S * 10/2016 Akana D14/486
D770,497 S * 11/2016 Gupta D14/486
D771,672 S * 11/2016 Tanabe G06F 11/32
D14/486
D772,260 S * 11/2016 Ingenlath D14/486
D772,904 S * 11/2016 Ingenlath D14/486

(Continued)

Primary Examiner — Shannon W Morgan

(74) *Attorney, Agent, or Firm* — Studebaker & Brackett
PC

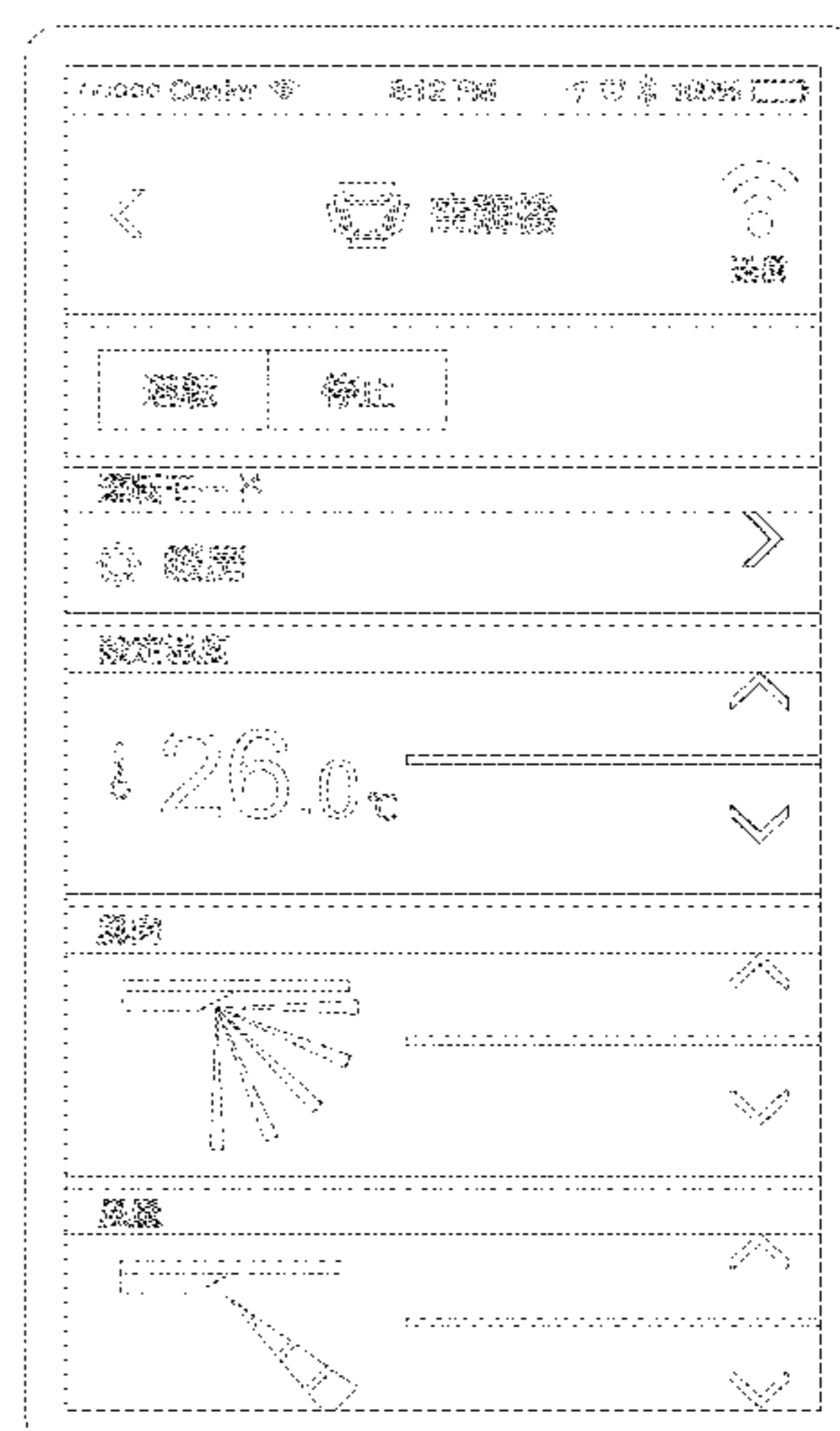
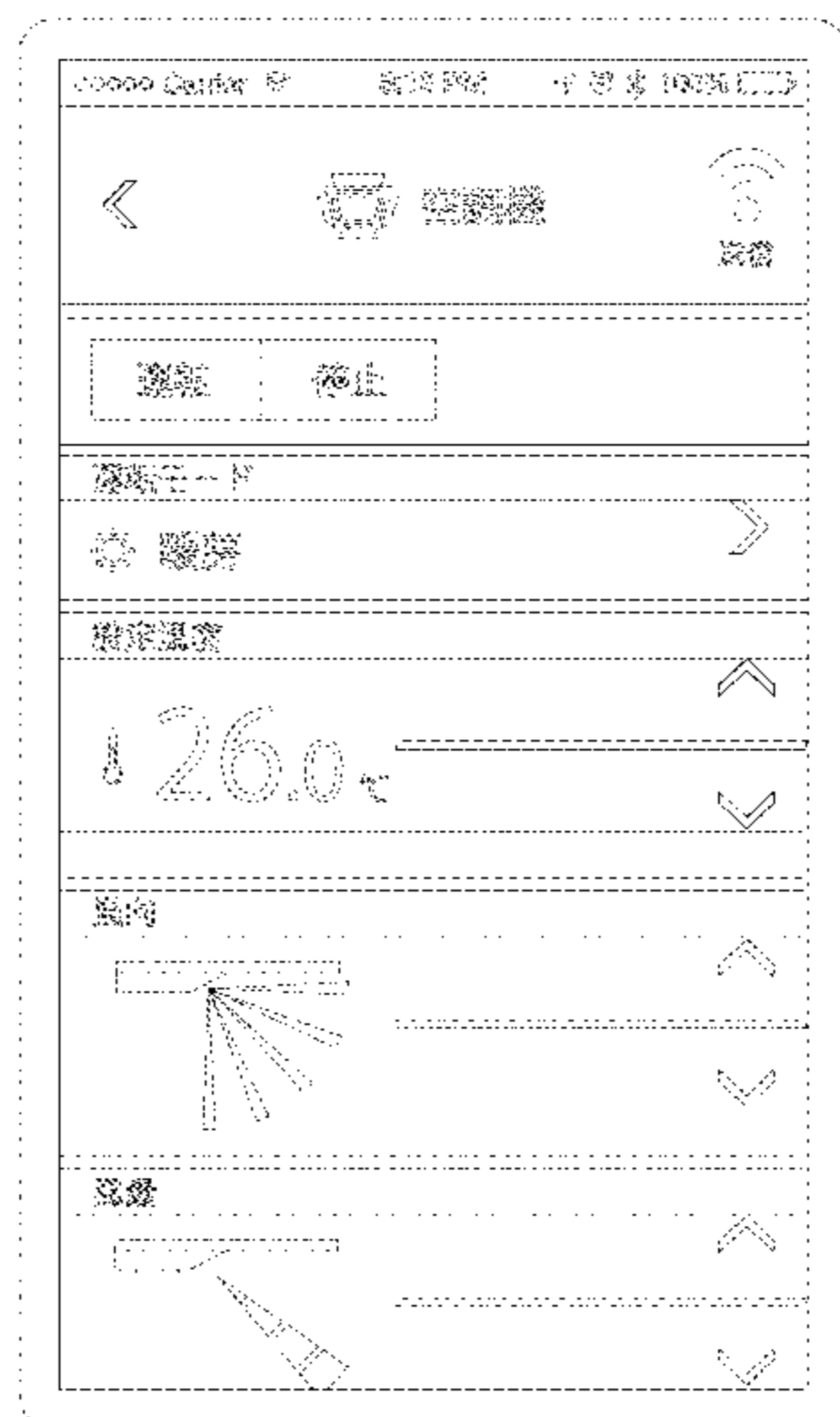
(57) **CLAIM**

The ornamental design for a display screen with graphical user interface, as shown and described.

DESCRIPTION

FIG. 1 is a front view for a display screen with graphical user interface of a first embodiment showing our new design; and,
FIG. 2 is a front view for a display screen with graphical user interface of a second embodiment showing our new design. The broken line showing of the display screen with graphical user interface in FIGS. 1 and 2 is included for the purpose of illustrating portions of the display screen with graphical user interface and forms no part of the claimed design.

1 Claim, 2 Drawing Sheets



(56)

References Cited

U.S. PATENT DOCUMENTS

D775,184 S *	12/2016	Song	D14/488	2016/0364114 A1*	12/2016	Von Dehsen	H04L 12/2807
D775,650 S *	1/2017	Zhao	D14/486	2017/0024091 A1*	1/2017	Hosier, Jr.	G06F 3/0482
D780,189 S *	2/2017	Yang	D14/485	2017/0046039 A1*	2/2017	Karunamuni	G06F 3/0414
D783,652 S *	4/2017	Guan	D14/486	2017/0201850 A1*	7/2017	Raleigh	H04W 4/50
D783,658 S *	4/2017	Hurst	D14/486	2017/0242555 A1*	8/2017	Wragg	G06F 3/0482
D789,956 S *	6/2017	Ortega	D14/486	2017/0352287 A1*	12/2017	Arnold	G09B 19/00
D796,540 S *	9/2017	McLean	D14/487	2017/0357320 A1*	12/2017	Chaudhri	G06F 3/0412
D799,524 S *	10/2017	Lalor	D14/486	2017/0364239 A1*	12/2017	Gould	G06F 3/04817
D804,509 S *	12/2017	Hurst	D14/486	2018/0046465 A1*	2/2018	Jacoby	G06F 9/445
D811,426 S *	2/2018	Trahan	D14/486	2018/0052437 A1*	2/2018	Leonelli	H04W 4/38
D816,704 S *	5/2018	Spector	D14/486	2018/0059884 A1*	3/2018	Kim	G06F 3/041
D822,034 S *	7/2018	Clymer	D14/485	2018/0109955 A1*	4/2018	Nixon	G05B 15/02
D822,050 S *	7/2018	Gandhi	D14/486	2018/0129360 A1*	5/2018	Suh	A47J 31/44
D822,702 S *	7/2018	Gandhi	D14/486	2018/0164993 A1*	6/2018	Zummo	G06F 3/04847
2016/0300164 A1*	10/2016	Dailly	G06Q 10/025	2018/0165710 A1*	6/2018	Donovan	G06Q 30/02
2016/0342151 A1*	11/2016	Dey, IV	B25F 5/00	2018/0203571 A1*	7/2018	Dayanandan	G06F 3/0481
					2018/0216946 A1*	8/2018	Gueye	G01C 21/343
					2018/0217848 A1*	8/2018	Garai	G06F 9/451

* cited by examiner

Fig. 2

