



US00D842865S

(12) **United States Design Patent**
Novabos et al.

(10) **Patent No.:** **US D842,865 S**
(45) **Date of Patent:** **** Mar. 12, 2019**

(54) **HANDLE FOR USB CONNECTORS AND FLASH DRIVES**

(71) Applicant: **Lexmark International, Inc.**,
Lexington, KY (US)

(72) Inventors: **Charles Ruel Gutierrez Novabos**,
Cebu (PH); **Shane Daffodil Lorio**
Alfaro, Cebu (PH); **Alexander Campos**
Gocotano, Minglanilla (PH)

(73) Assignee: **Lexmark International, Inc.**,
Lexington, KY (US)

(**) Term: **15 Years**

(21) Appl. No.: **29/639,002**

(22) Filed: **Mar. 2, 2018**

(51) **LOC (11) Cl.** **14-03**

(52) **U.S. Cl.**
USPC **D14/480.1**

(58) **Field of Classification Search**
USPC D14/480.1-480.7, 435.1, 411, 433, 436,
D14/484.1, 137, 155, 203.1-203.8, 240,
D14/242; D13/133, 154
CPC H05K 5/0278; G06K 19/07732
See application file for complete search history.

(56) **References Cited**

U.S. PATENT DOCUMENTS

D491,143 S * 6/2004 Jiang D14/435.1
D491,144 S * 6/2004 Jiang D14/435.1

D542,224 S * 5/2007 Victor D13/154
D543,155 S * 5/2007 Suckle D13/154
D563,899 S * 3/2008 Goetz D13/154
D675,568 S * 2/2013 Drew D13/133
D688,629 S * 8/2013 Spilker D13/133
D737,202 S * 8/2015 Liu D13/108
D759,027 S * 6/2016 Magi D14/480.1
D774,038 S * 12/2016 Emami D14/480.1
D797,113 S * 9/2017 Wu D14/480.1
D805,087 S * 12/2017 Sumii D14/480.1
D825,578 S * 8/2018 Chiu D14/480.5

* cited by examiner

Primary Examiner — Angela J Lee

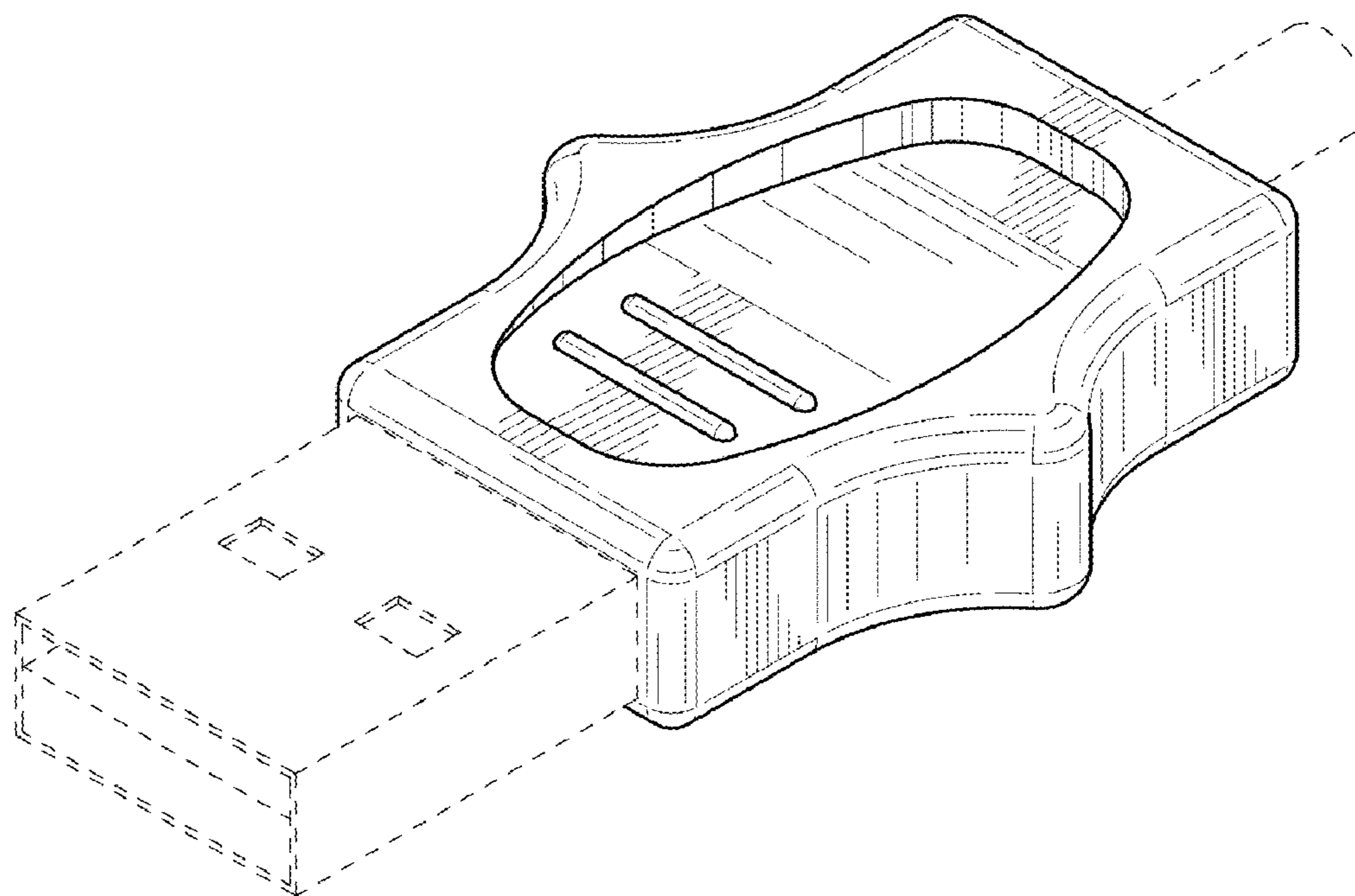
(57) **CLAIM**

The ornamental design for a handle for USB connectors and flash drives, as shown and described.

DESCRIPTION

FIG. 1 is a top, front and right side perspective view of a handle for USB connectors and flash drives showing our new design;
FIG. 2 is a bottom, rear, and left side perspective view thereof;
FIG. 3 is a front elevation view thereof;
FIG. 4 is a right side elevation view thereof;
FIG. 5 is a rear elevation view thereof;
FIG. 6 is a left side elevation view thereof;
FIG. 7 is a top plan view thereof; and,
FIG. 8 is a bottom plan view thereof.
The features shown in broken lines depict environmental subject matter only and form no part of the claimed design.

1 Claim, 3 Drawing Sheets



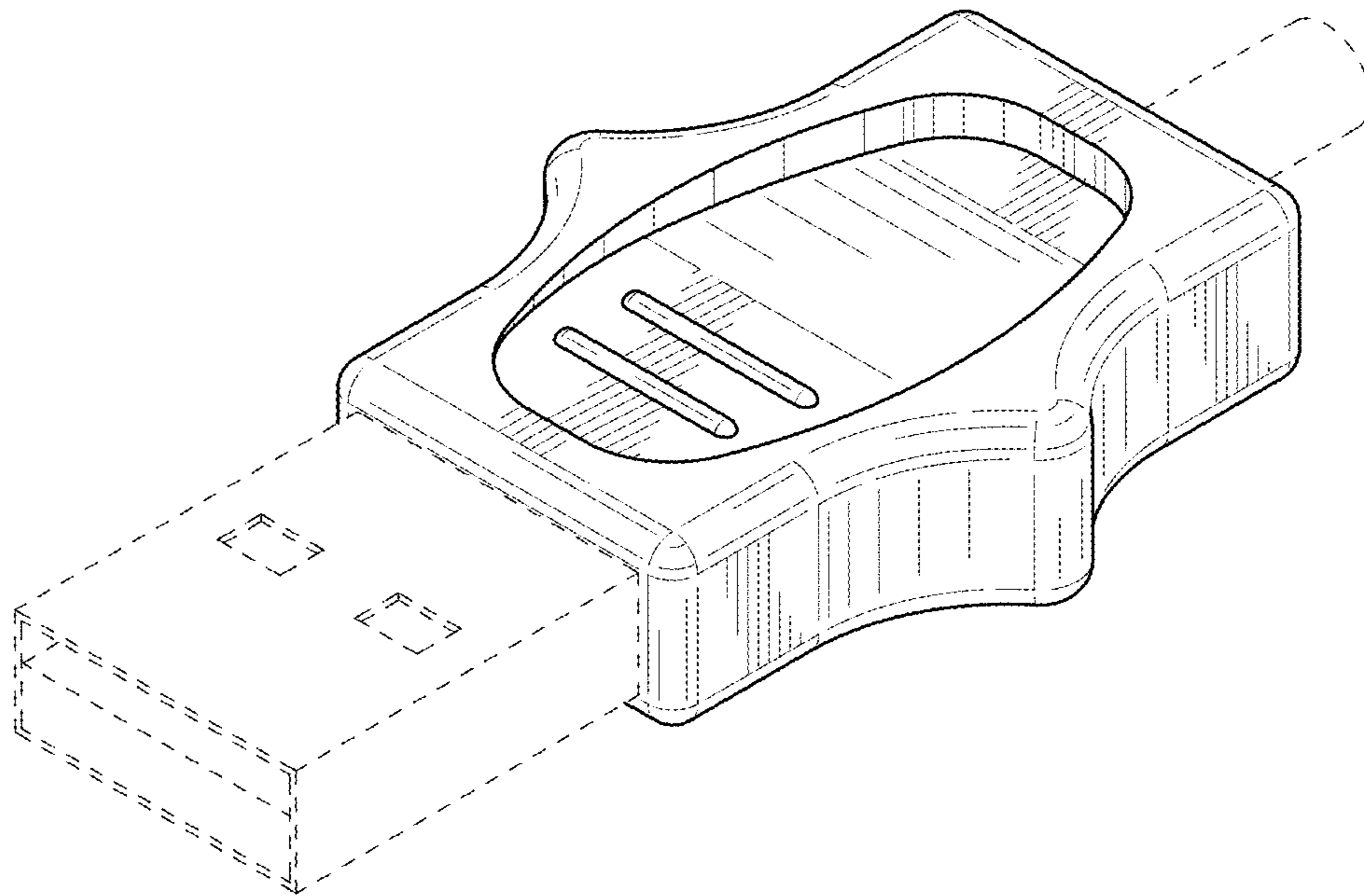


FIG. 1

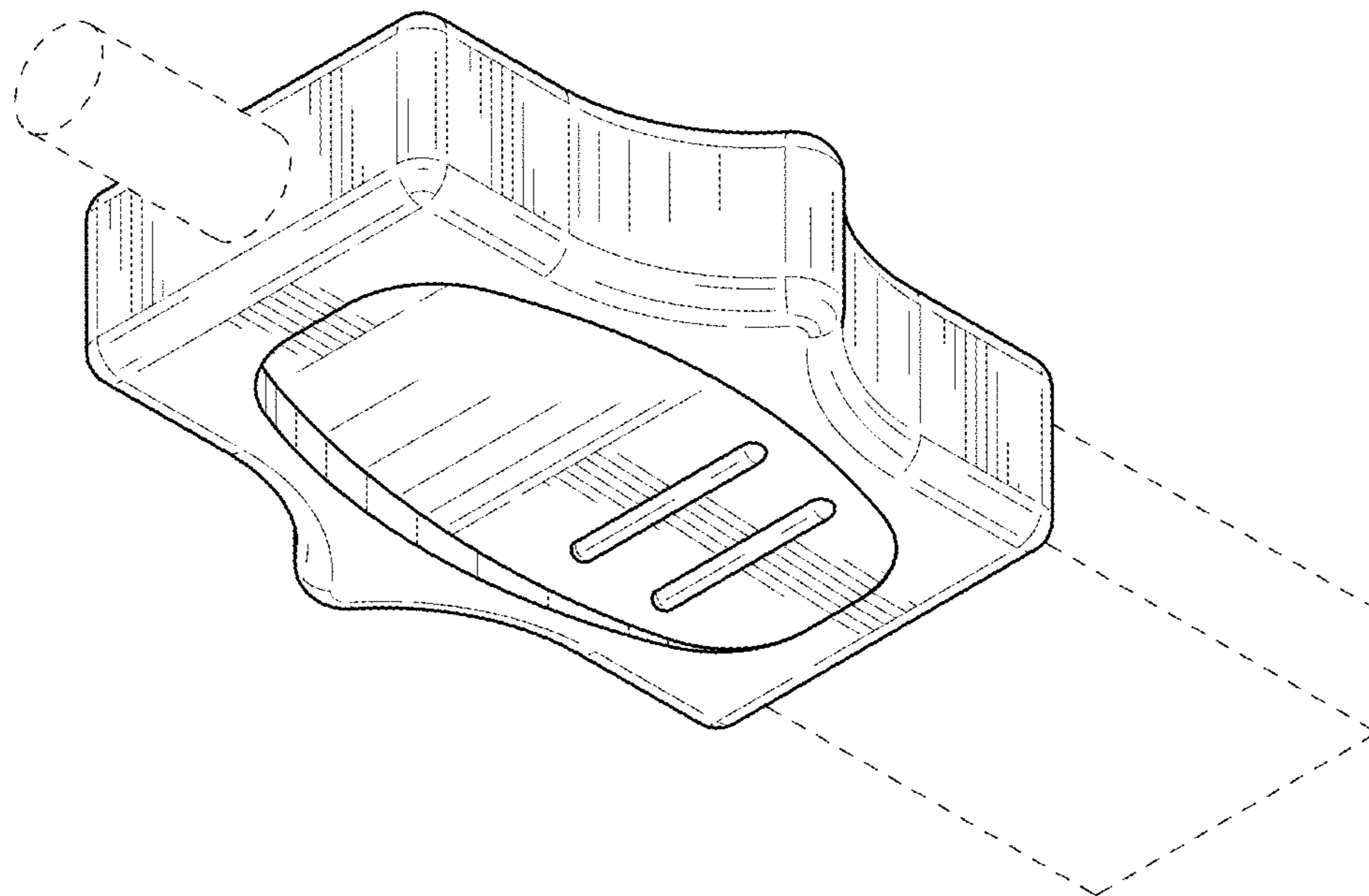


FIG. 2

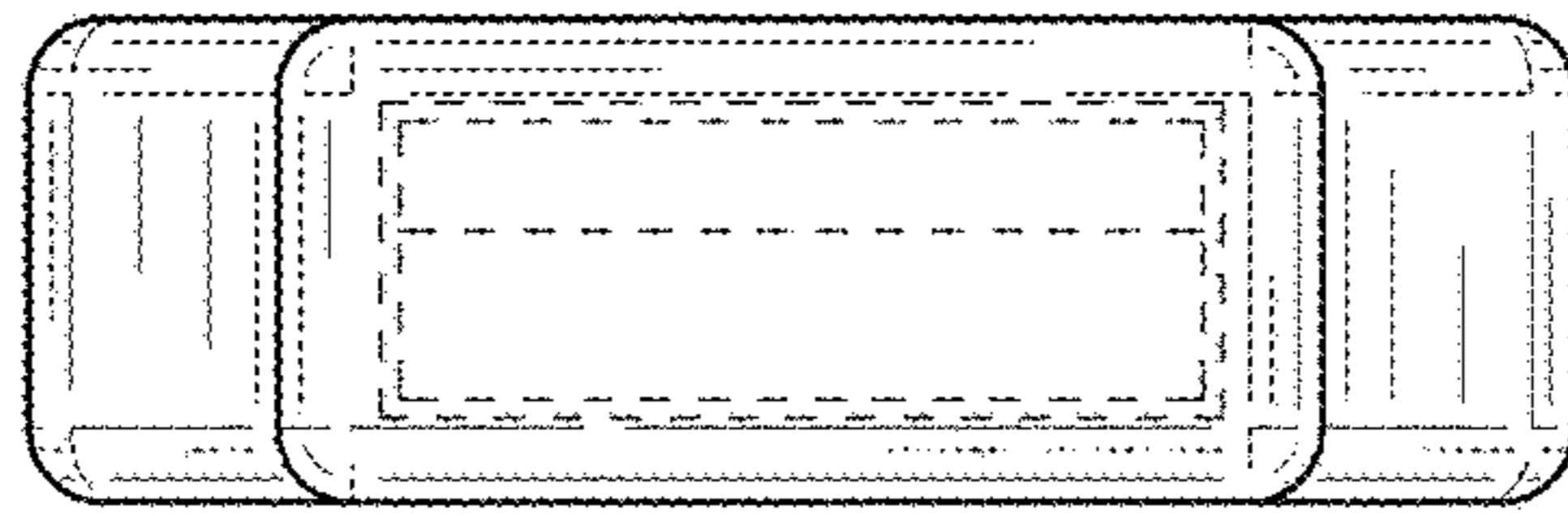


FIG. 3

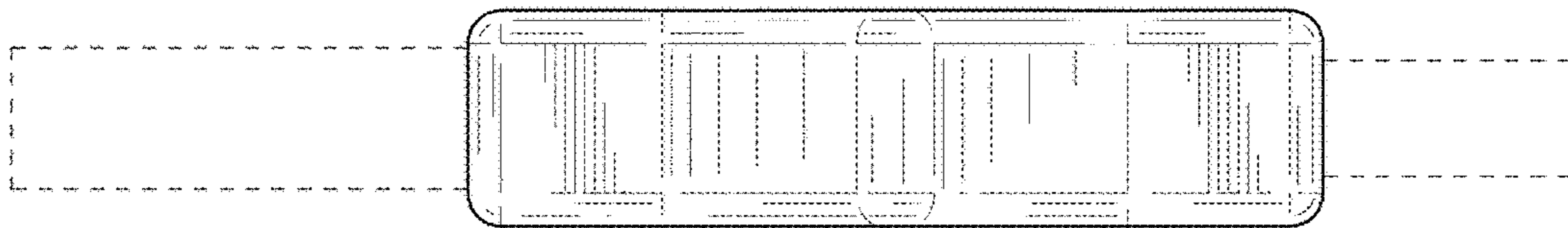


FIG. 4

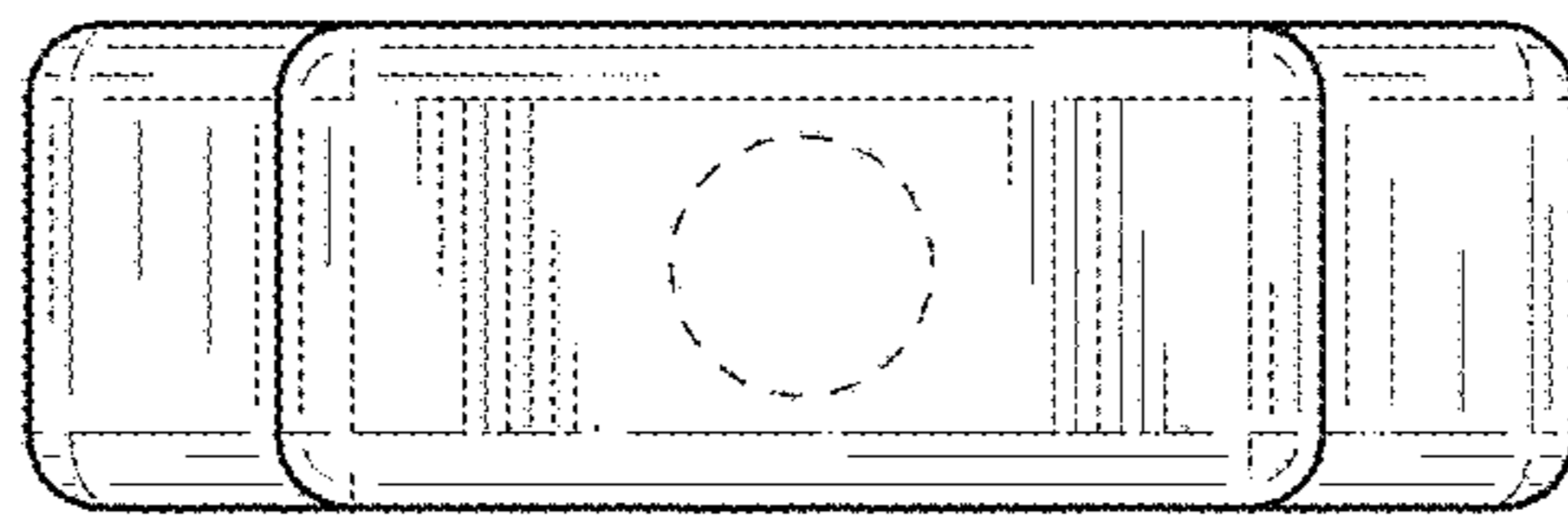


FIG. 5

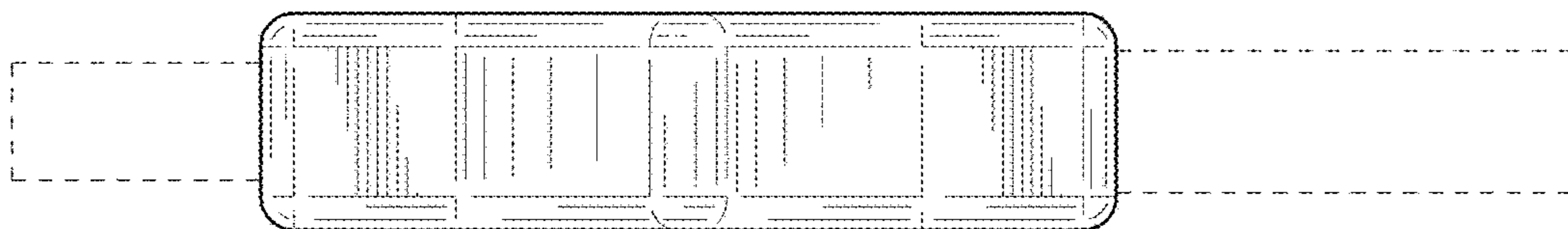


FIG. 6

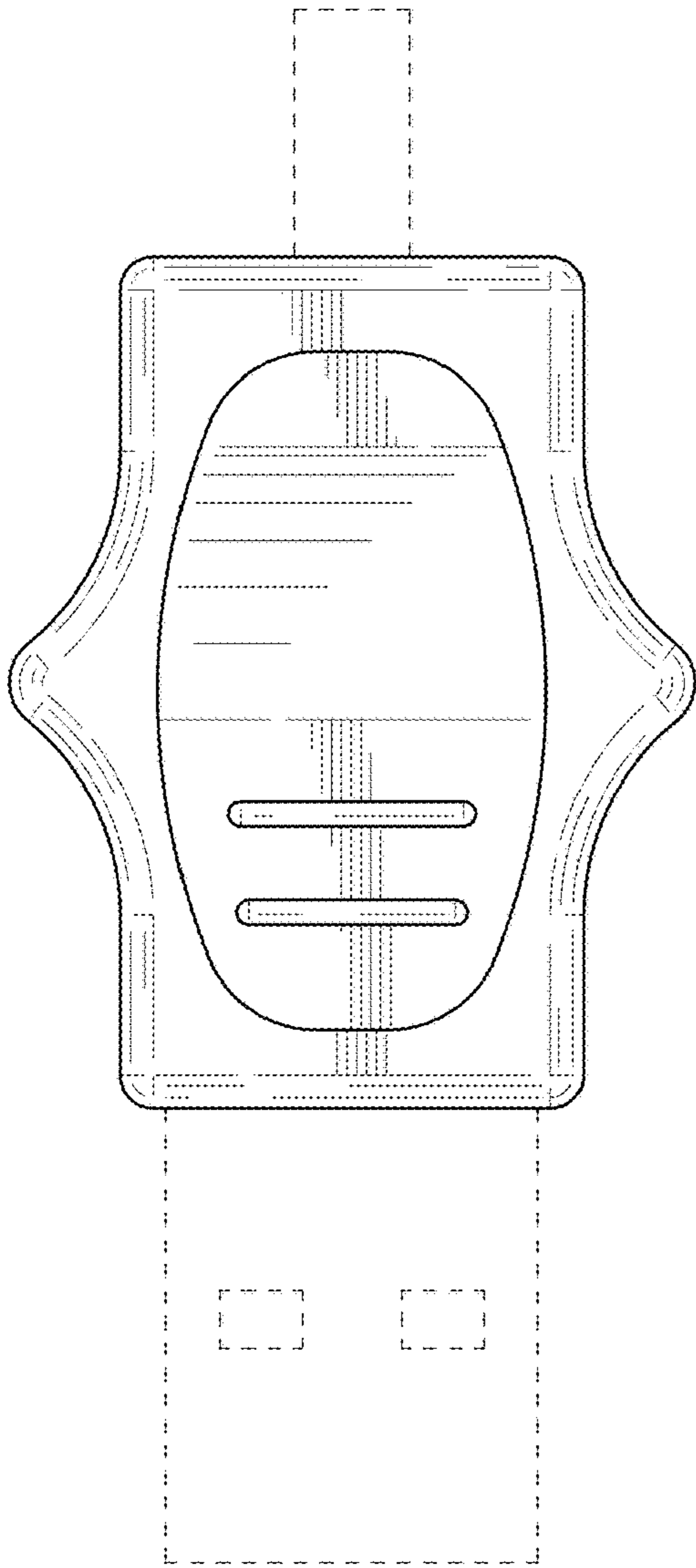


FIG. 7

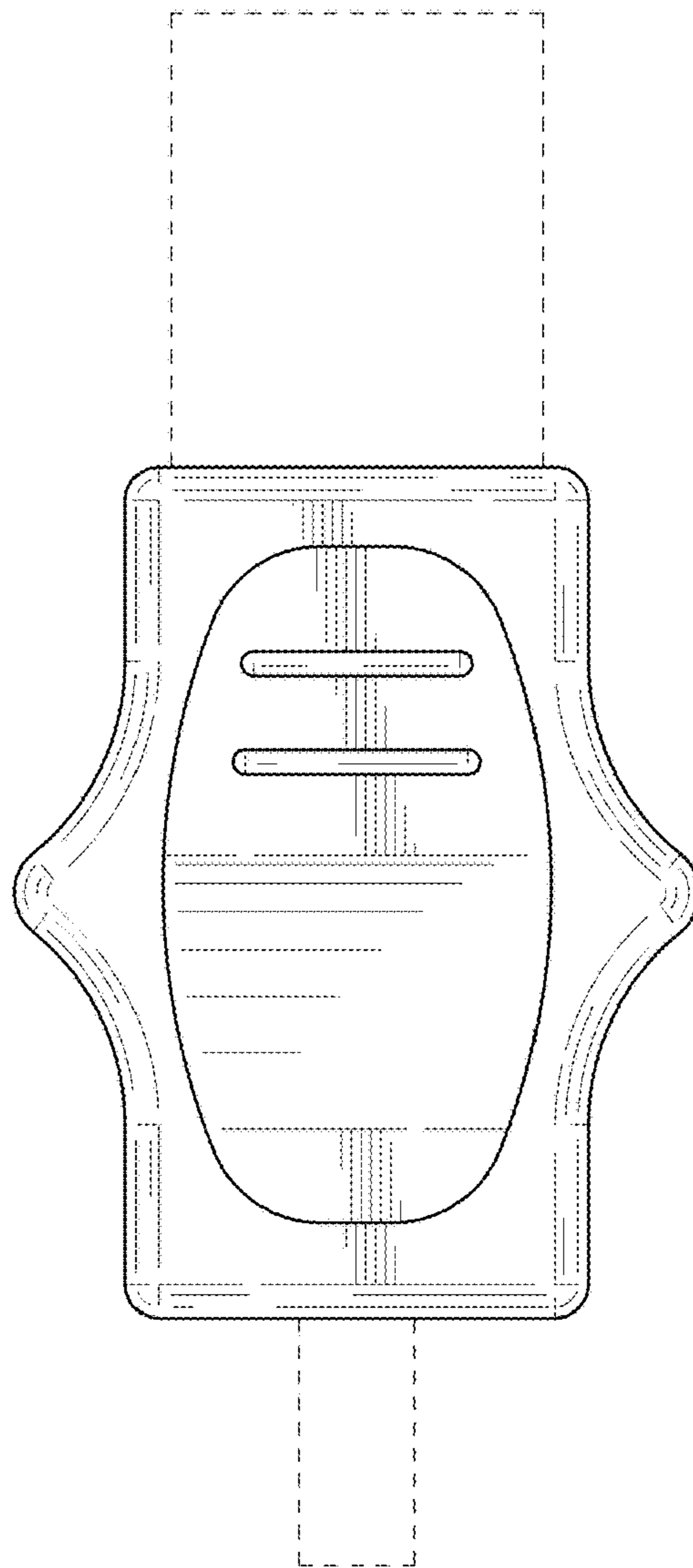


FIG. 8