

US00D842864S

(12) **United States Design Patent**  
**Gutierrez Novabos et al.**

(10) **Patent No.:** **US D842,864 S**  
(45) **Date of Patent:** **\*\* Mar. 12, 2019**

(54) **HANDLE FOR USB CONNECTORS AND FLASH DRIVES**

(71) Applicant: **Lexmark International, Inc.**,  
Lexington, KY (US)

(72) Inventors: **Charles Ruel Gutierrez Novabos**,  
Cebu (PH); **Shane Daffodil Lorio**  
**Alfaro**, Cebu (PH); **Alexander Campos**  
**Gocotano**, Minglanilla (PH)

(73) Assignee: **Lexmark International, Inc.**,  
Lexington, KY (US)

(\*\*) Term: **15 Years**

(21) Appl. No.: **29/638,991**

(22) Filed: **Mar. 2, 2018**

(51) **LOC (11) Cl.** ..... **14-03**

(52) **U.S. Cl.**  
USPC ..... **D14/480.1**

(58) **Field of Classification Search**  
USPC ..... D14/480.1-480.7, 435.1, 411, 433, 436,  
D14/484.1, 137, 155, 203.1-203.8, 240,  
D14/242; D13/133, 154  
CPC ..... H05K 5/0278; G06K 19/07732  
See application file for complete search history.

(56) **References Cited**

U.S. PATENT DOCUMENTS

D491,143 S \* 6/2004 Jiang ..... D14/435.1  
D491,144 S \* 6/2004 Jiang ..... D14/435.1

D542,224 S \* 5/2007 Victor ..... D13/154  
D543,155 S \* 5/2007 Suckle ..... D13/154  
D563,899 S \* 3/2008 Goetz ..... D13/154  
D675,568 S \* 2/2013 Drew ..... D13/133  
D688,629 S \* 8/2013 Spilker ..... D13/133  
D737,202 S \* 8/2015 Liu ..... D13/108  
D759,027 S \* 6/2016 Magi ..... D14/480.1  
D774,038 S \* 12/2016 Emami ..... D14/480.1  
D797,113 S \* 9/2017 Wu ..... D14/480.1  
D805,087 S \* 12/2017 Sumii ..... D14/480.1  
D825,578 S \* 8/2018 Chiu ..... D14/480.5

\* cited by examiner

*Primary Examiner* — Angela J Lee

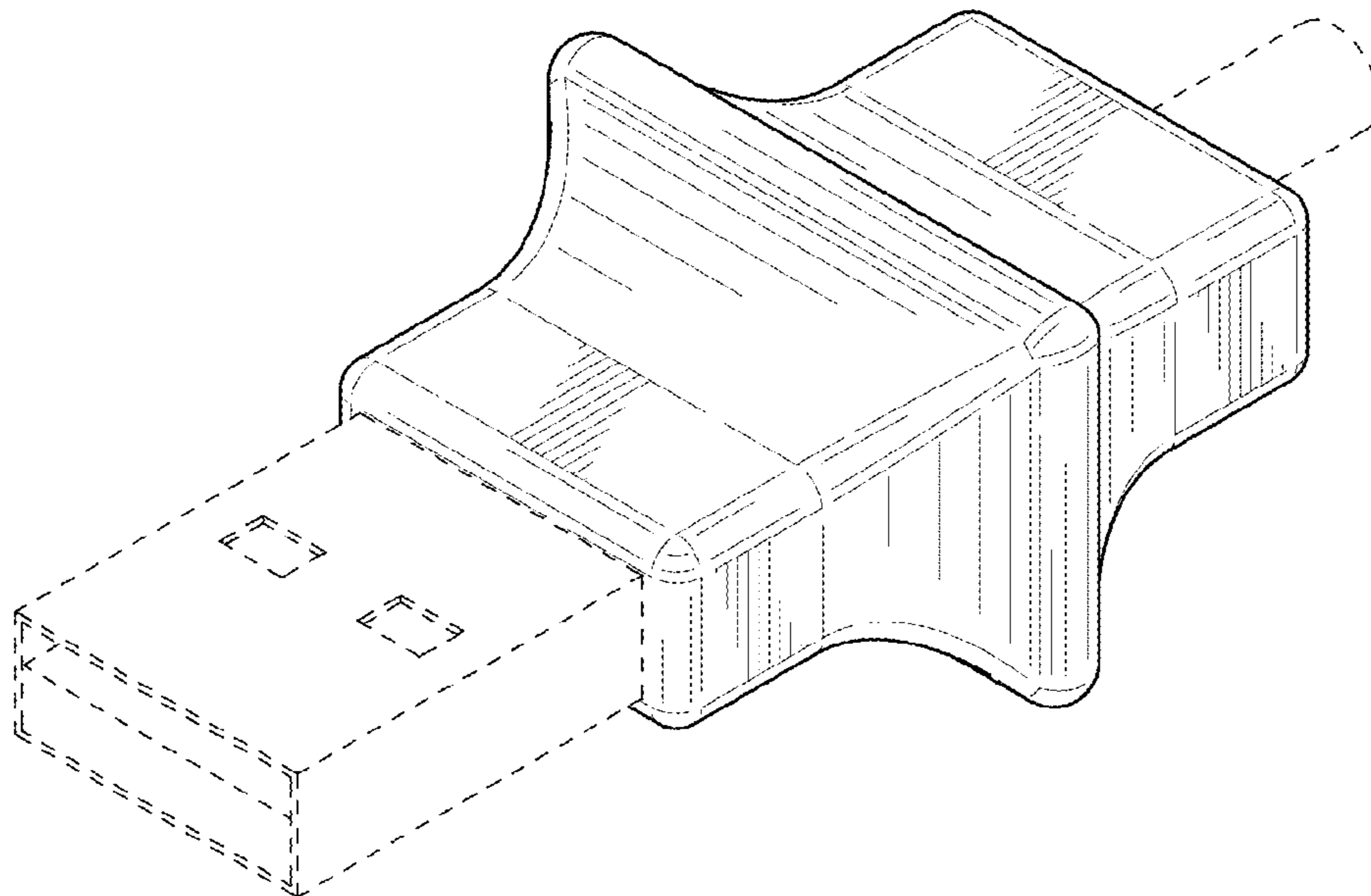
(57) **CLAIM**

The ornamental design for a handle for USB connectors and flash drives, as shown and described.

**DESCRIPTION**

FIG. 1 is a top, front and right side perspective view of a handle for USB connectors and flash drives showing our new design;  
FIG. 2 is a bottom, rear, and left side perspective view thereof;  
FIG. 3 is a front elevation view thereof;  
FIG. 4 is a right side elevation view thereof;  
FIG. 5 is a rear elevation view thereof;  
FIG. 6 is a left side elevation view thereof;  
FIG. 7 is a top plan view thereof; and,  
FIG. 8 is a bottom plan view thereof.  
The features shown in broken lines depict environmental subject matter only and form no part of the claimed design.

**1 Claim, 3 Drawing Sheets**



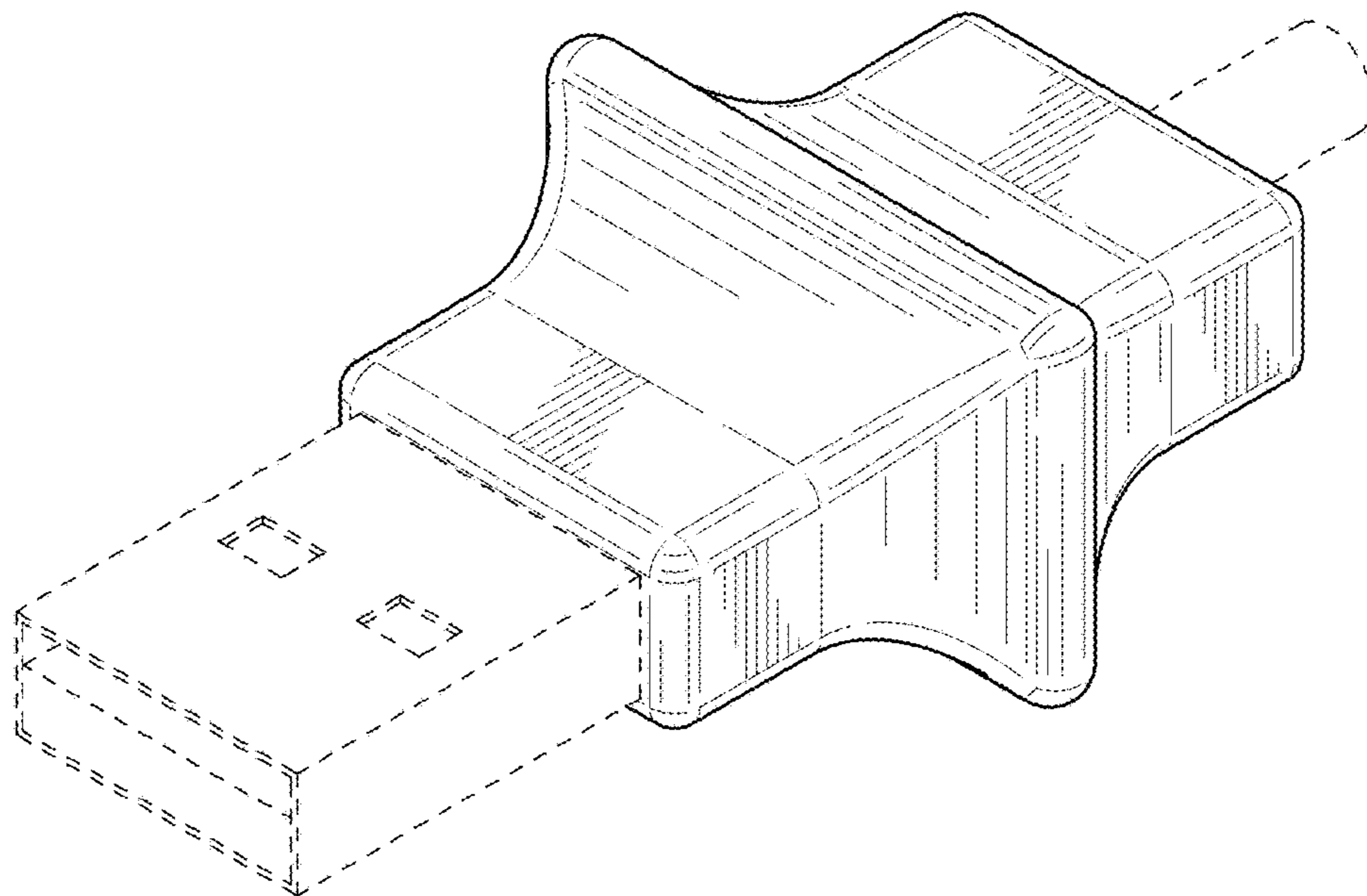


FIG. 1

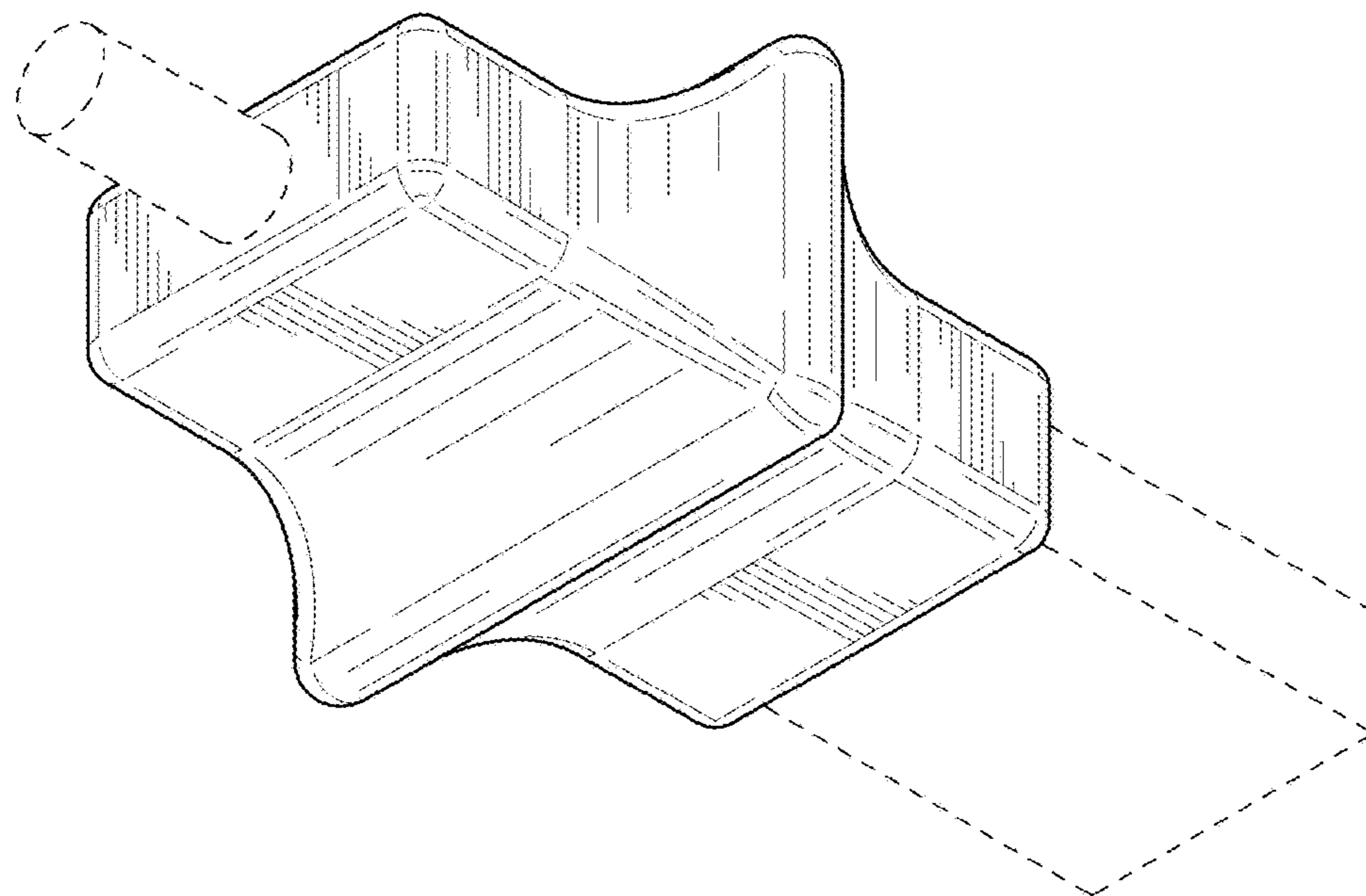


FIG. 2

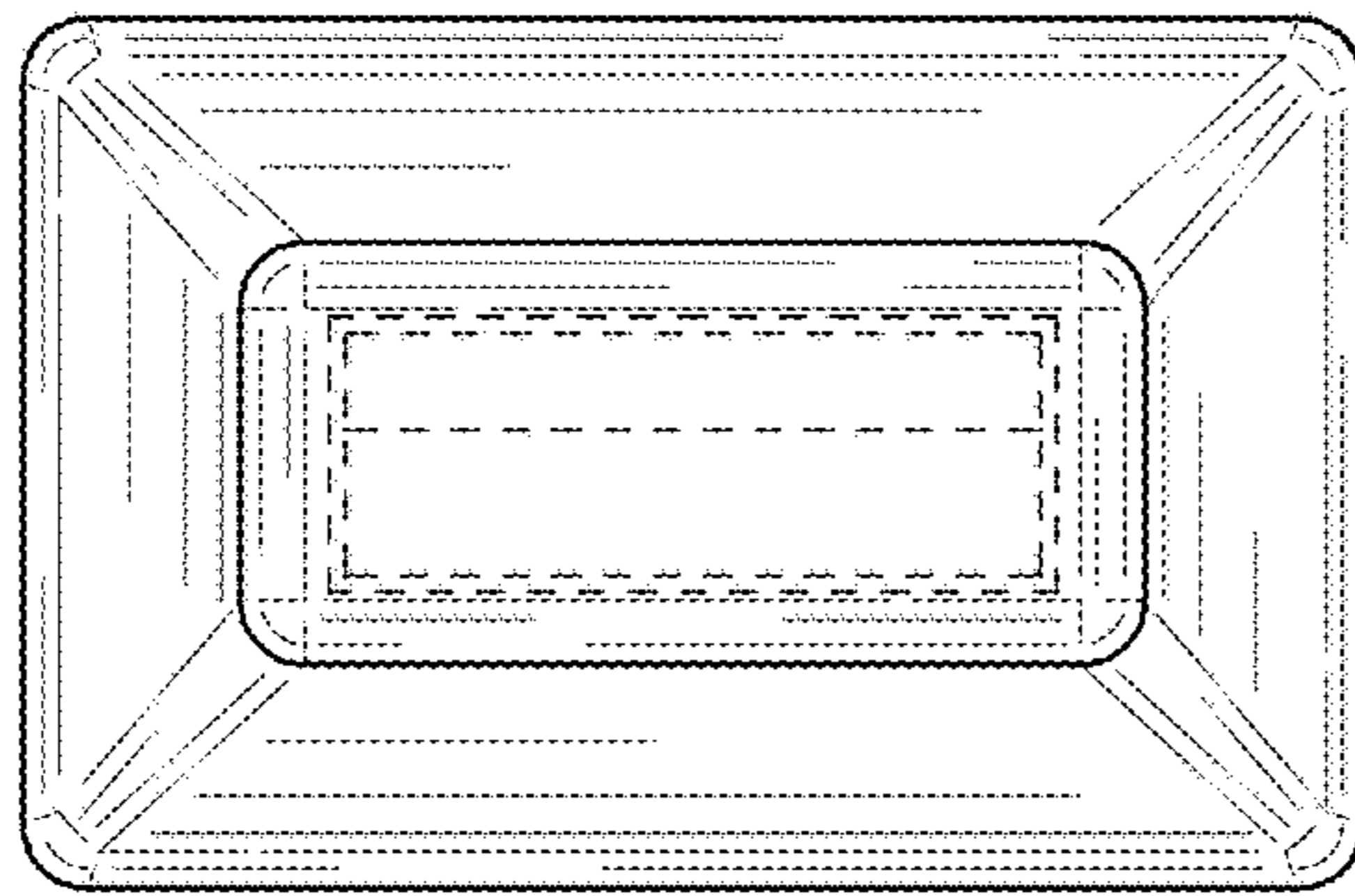


FIG. 3

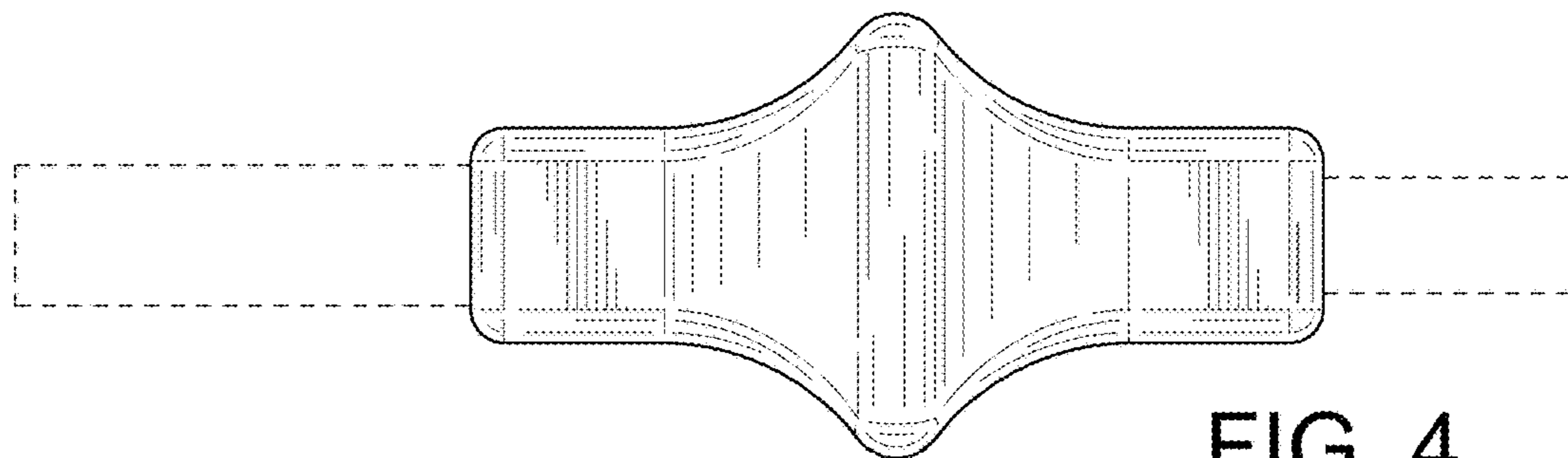


FIG. 4

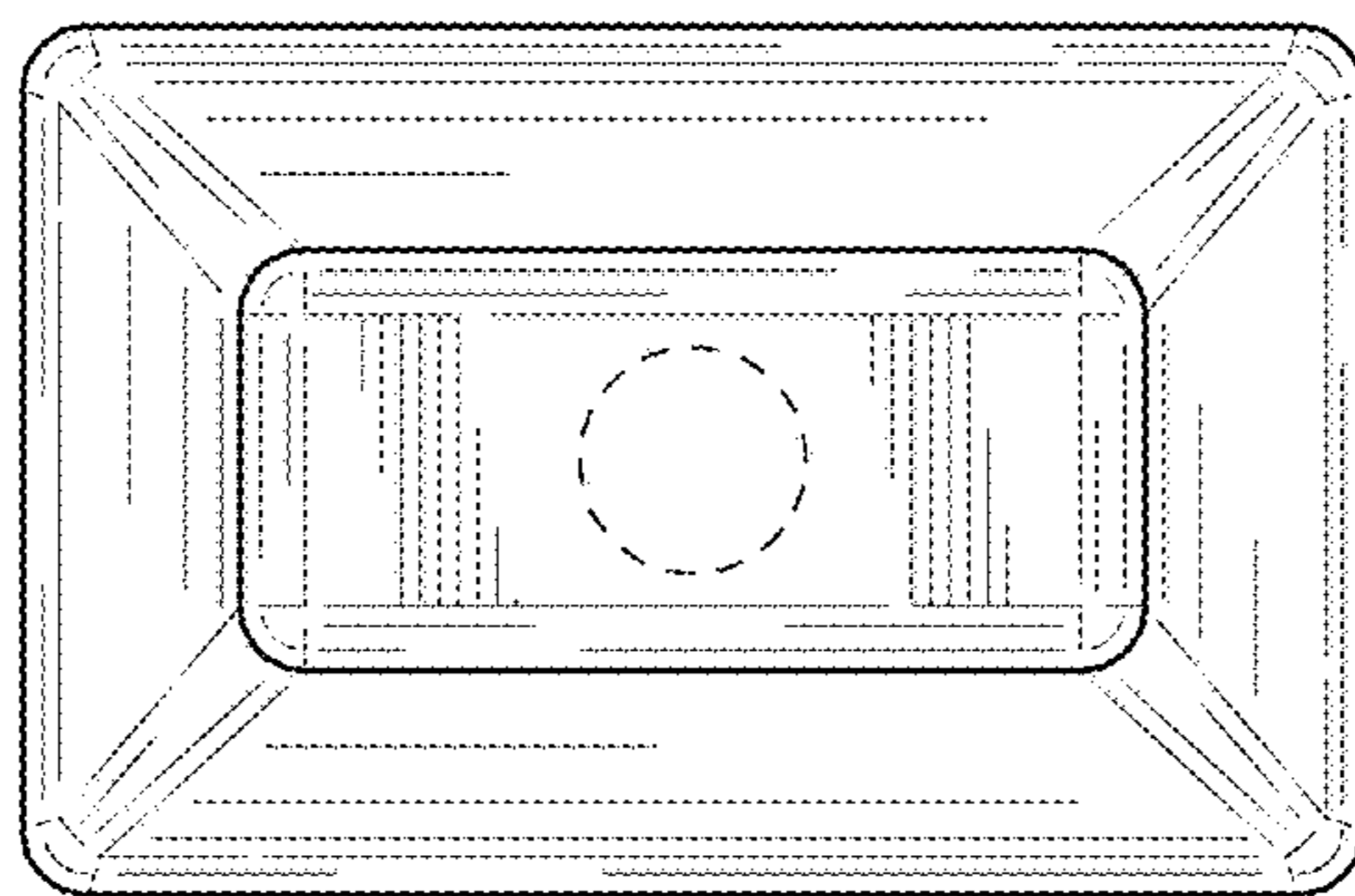


FIG. 5

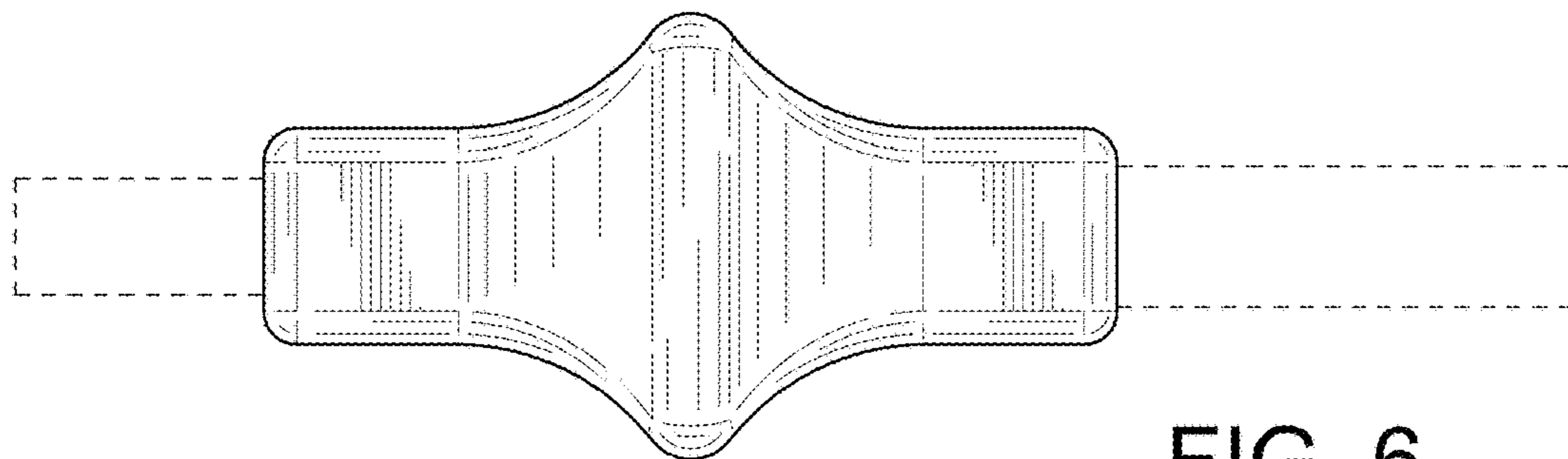


FIG. 6

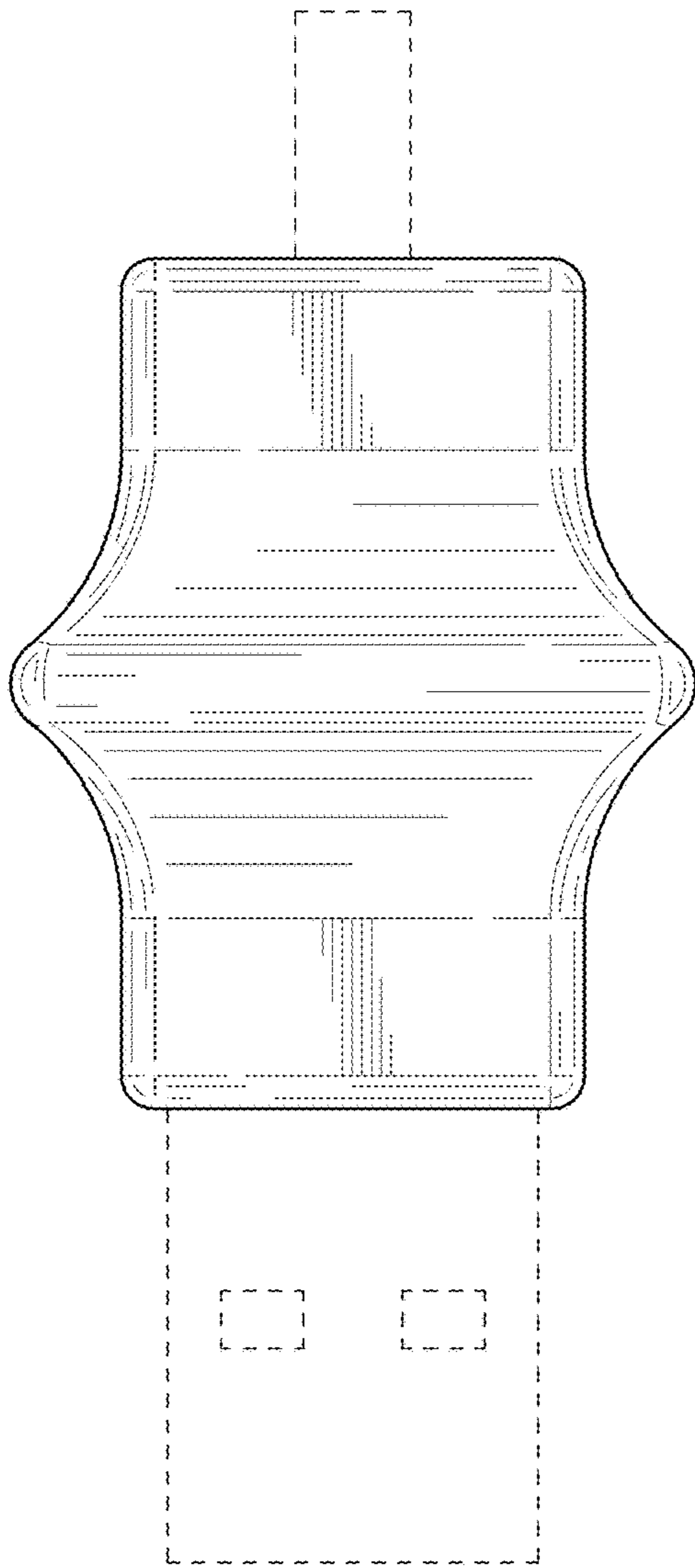


FIG. 7

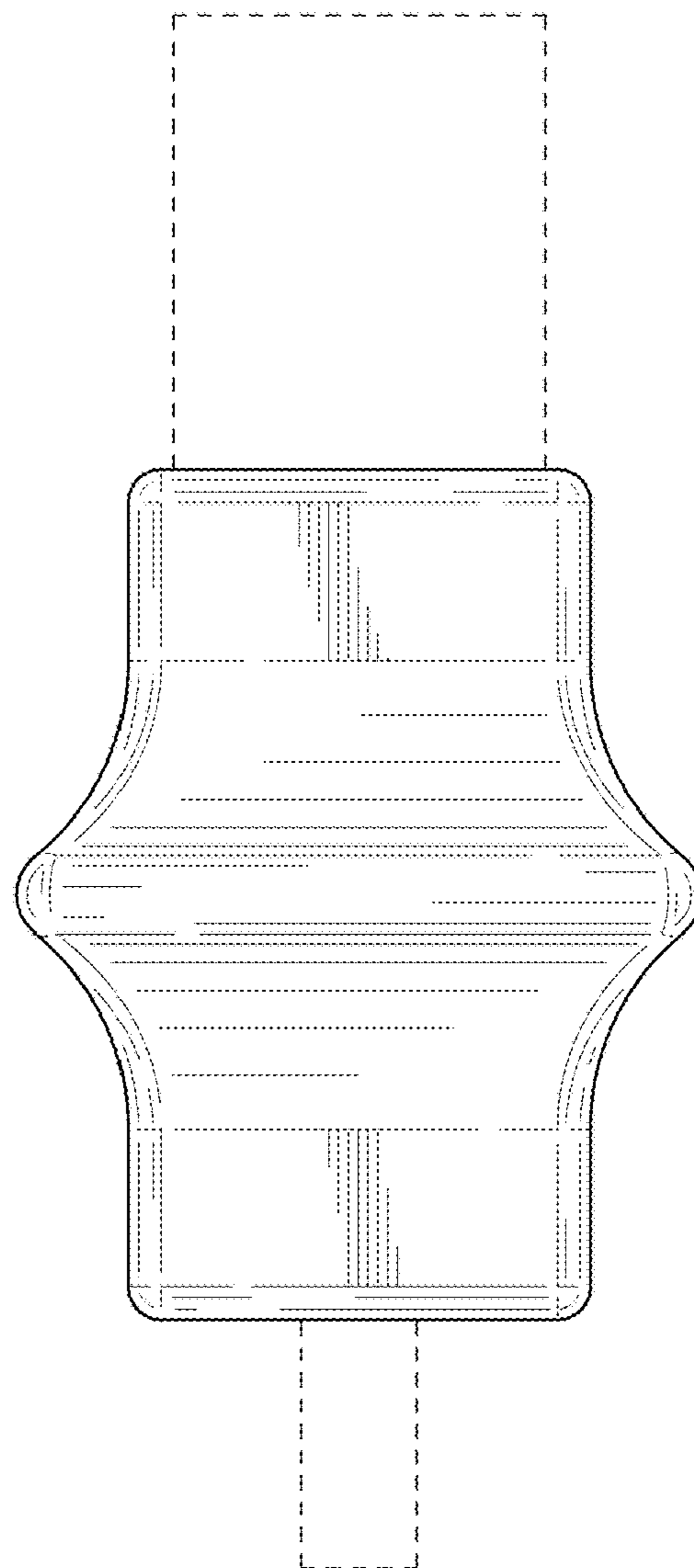


FIG. 8