

US00D842862S

(12) **United States Design Patent**
Ellis

(10) **Patent No.:** **US D842,862 S**

(45) **Date of Patent:** **** Mar. 12, 2019**

(54) **LAPTOP STAND**

(71) Applicant: **Kevin Edward Ellis**, Seattle, WA (US)

(72) Inventor: **Kevin Edward Ellis**, Seattle, WA (US)

(**) Term: **15 Years**

(21) Appl. No.: **29/641,860**

(22) Filed: **Mar. 26, 2018**

(51) **LOC (11) Cl.** **08-07**

(52) **U.S. Cl.**
USPC **D14/447**

(58) **Field of Classification Search**
USPC D14/447, 432, 434, 439, 440, 451, 452,
D14/457, 239; D8/363, 373, 380;
D6/406.3, 406.4, 406.5, 406.6; D12/415
CPC A47B 21/04; A47B 2097/006; A47B
2097/005; A47B 2023/049; A45C
2011/002; A45C 2011/003; F16M
2200/00; F16M 13/00

See application file for complete search history.

(56) **References Cited**

U.S. PATENT DOCUMENTS

D365,461 S *	12/1995	Falter	D19/88
D382,904 S *	8/1997	Comeaux	D19/90
D473,072 S *	4/2003	Seeley	D14/447
D621,840 S *	8/2010	Buncher	D14/447
D661,310 S *	6/2012	Belongia	D14/447
D699,246 S *	2/2014	Ringlein	D14/447
D707,232 S *	6/2014	Lopes	D14/447
D714,302 S *	9/2014	Fujioka	D14/447
D756,367 S *	5/2016	Kim	D14/447

D786,883 S *	5/2017	Chen	D14/447
2003/0111582 A1 *	6/2003	Bakker	A47B 21/0314 248/460
2009/0321605 A1 *	12/2009	Petrie	F16M 13/00 248/452
2017/0071333 A1 *	3/2017	Fox, III	A47B 23/042

* cited by examiner

Primary Examiner — Angela J Lee

(74) *Attorney, Agent, or Firm* — Dunlap Bennett & Ludwig PLLC

(57) **CLAIM**

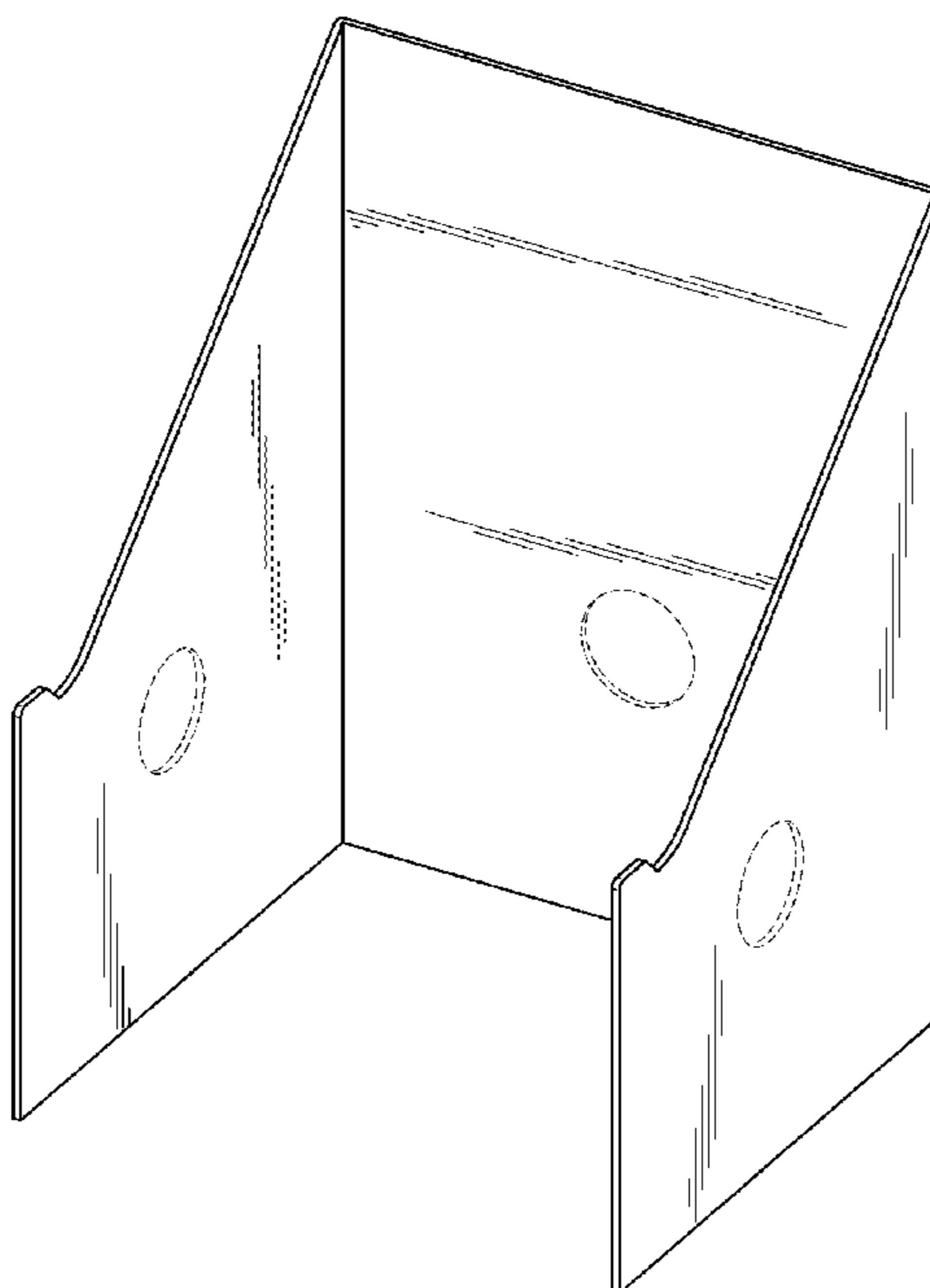
The ornamental design for a laptop stand, as shown and described.

DESCRIPTION

FIG. 1 is a front perspective view of a laptop stand, showing my new design;
FIG. 2 is a front elevation view thereof;
FIG. 3 is a rear elevation view thereof;
FIG. 4 is a left elevation view thereof, the right elevation view being a mirror image thereof;
FIG. 5 is a top plan view thereof;
FIG. 6 is a bottom plan view thereof; and,
FIG. 7 is a front perspective view of the laptop stand shown in use.

The broken lines showing a laptop in FIG. 7 depicts environmental subject matter that forms no part of the claimed design, while the remaining broken lines shown in the drawings depict portions of the laptop stand that form no part of the claimed design.

1 Claim, 5 Drawing Sheets



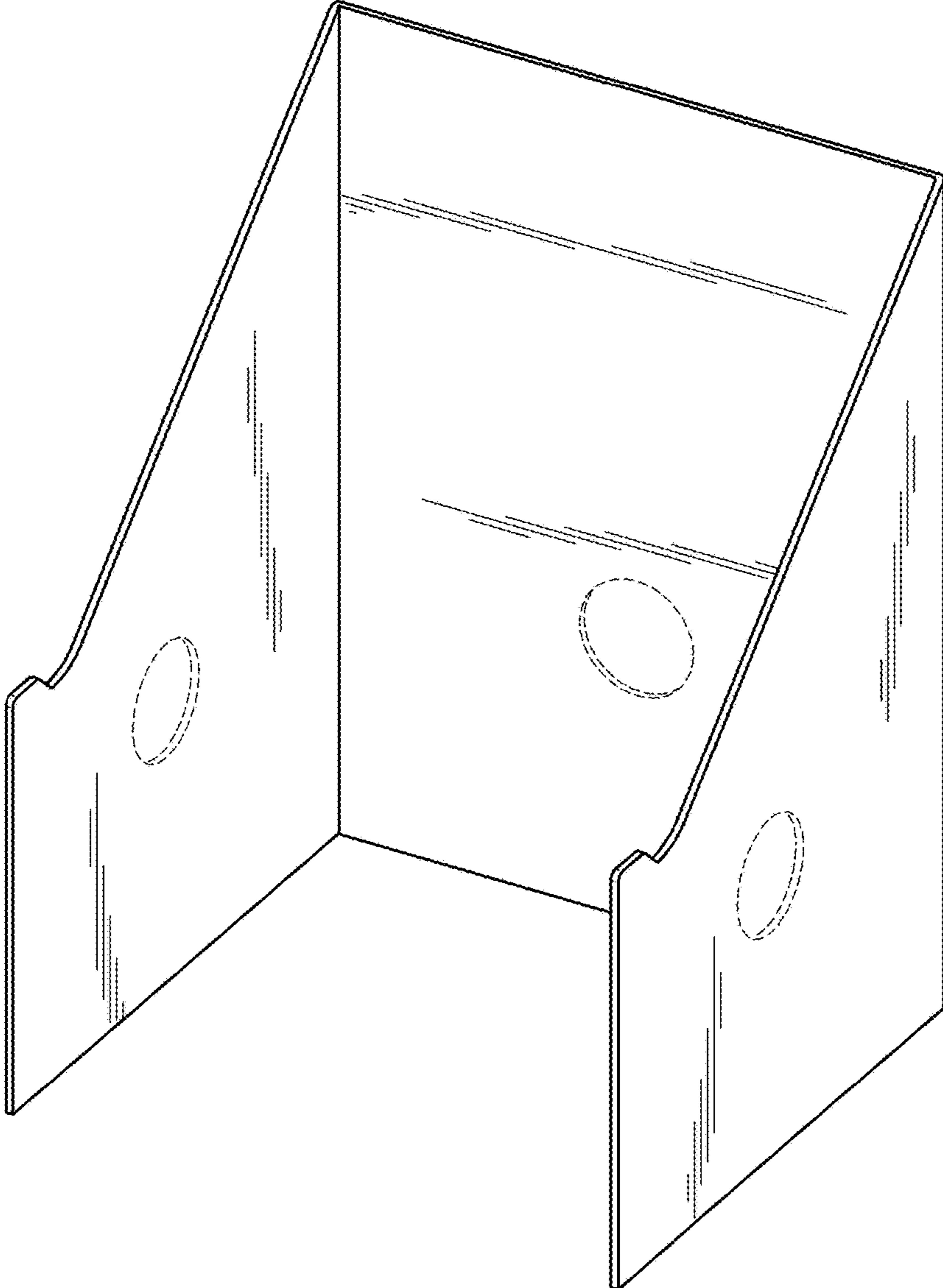


FIG. 1

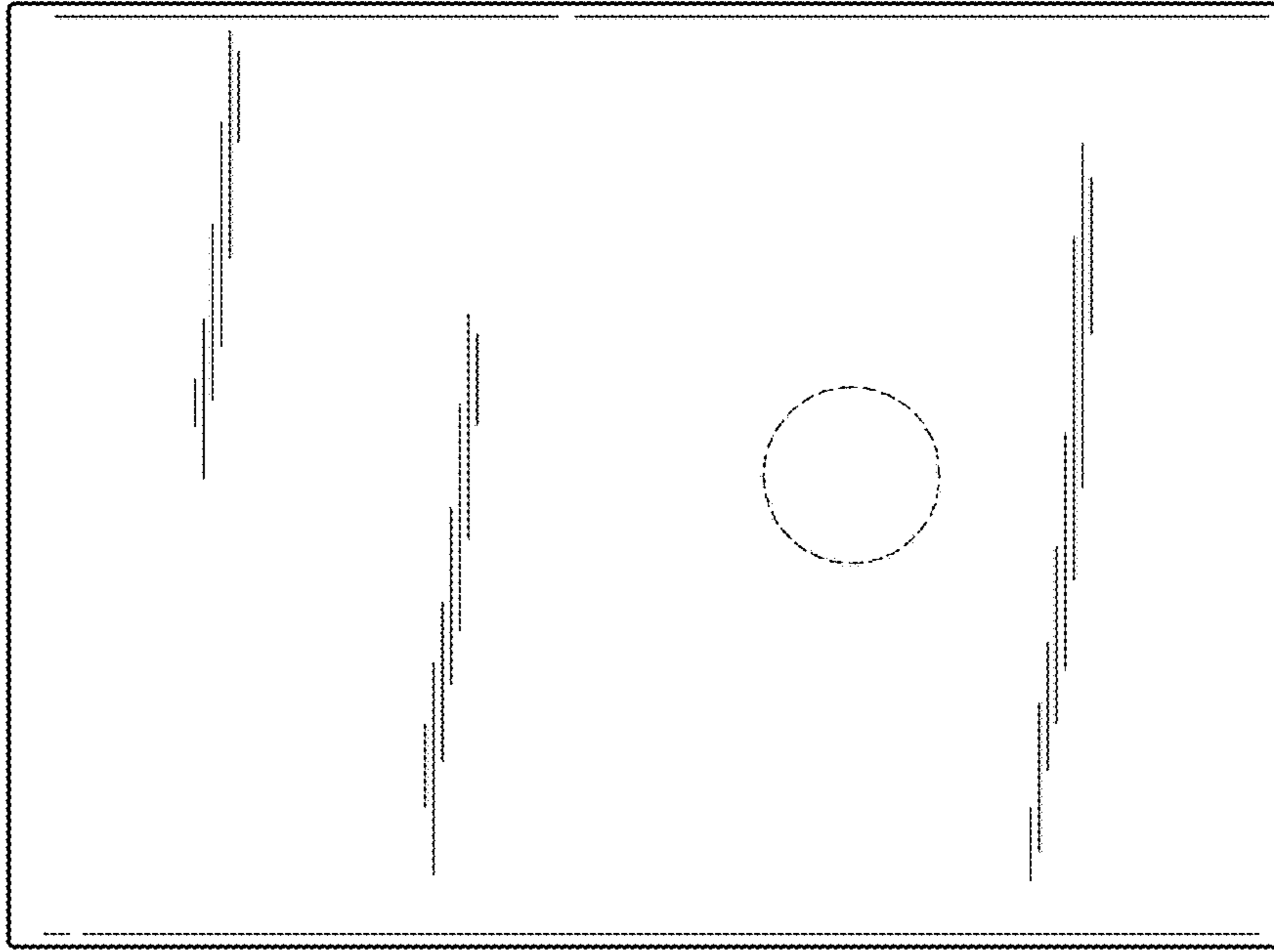


FIG. 2

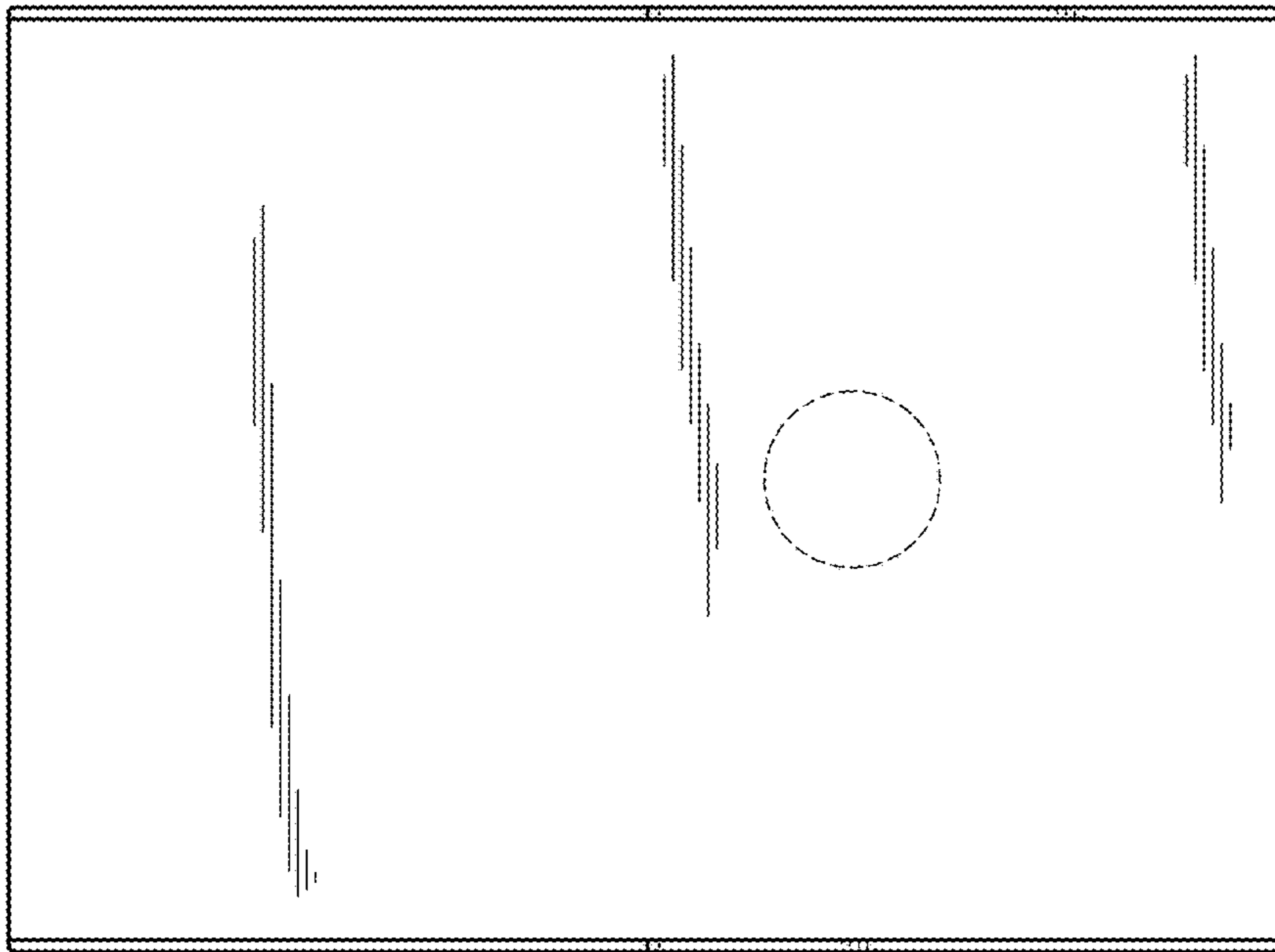


FIG. 3

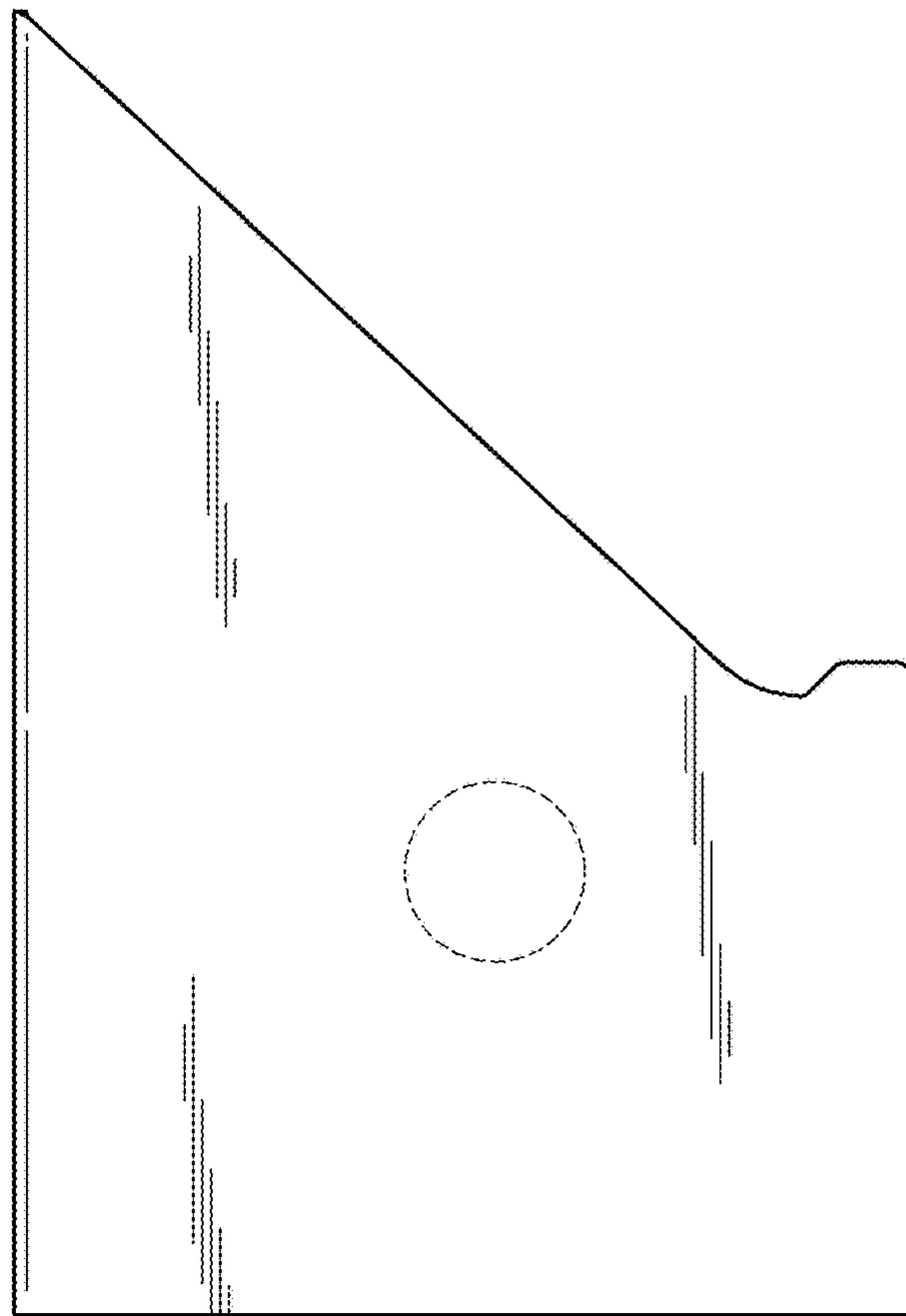


FIG. 4

FIG. 5

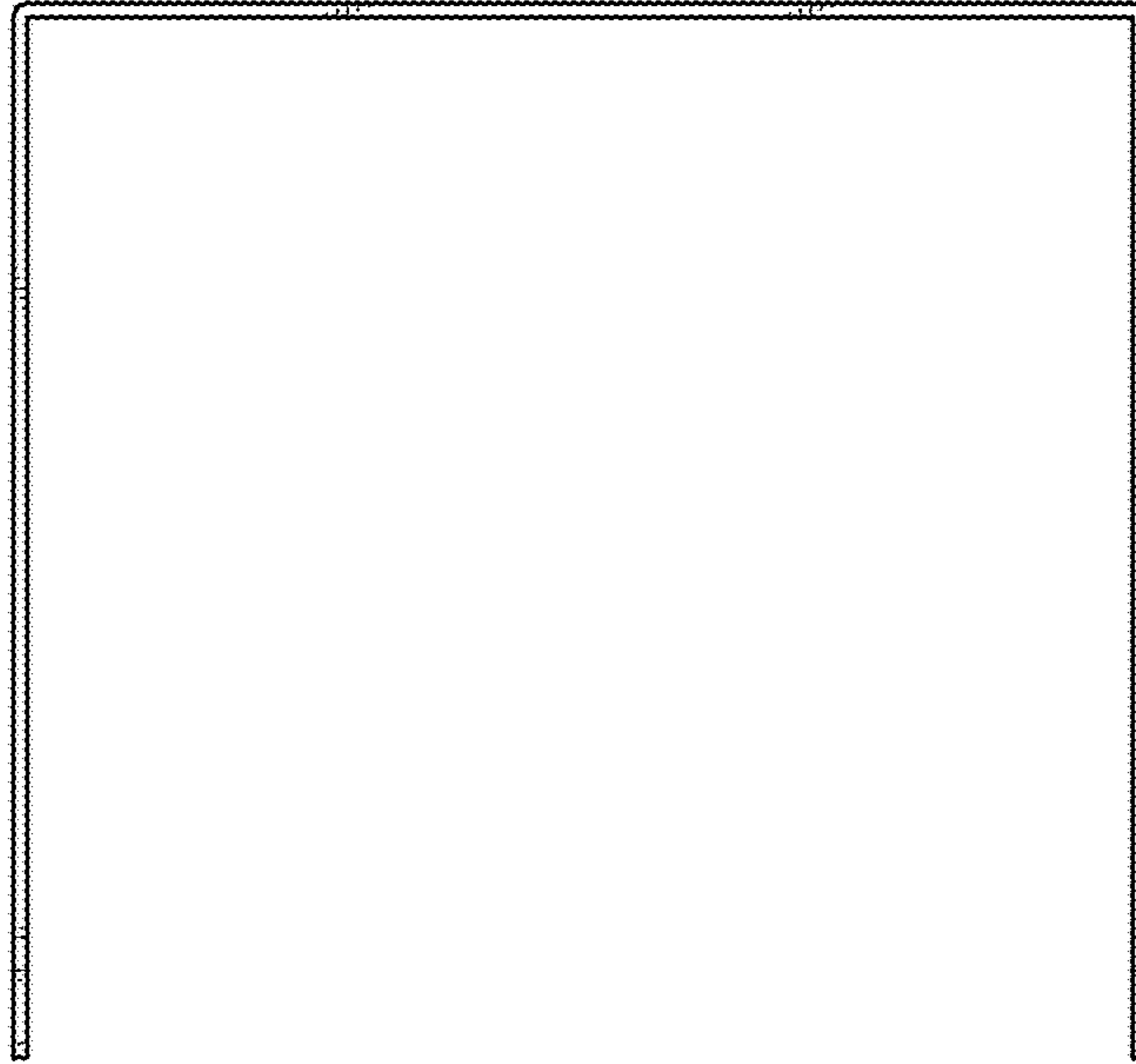


FIG. 6



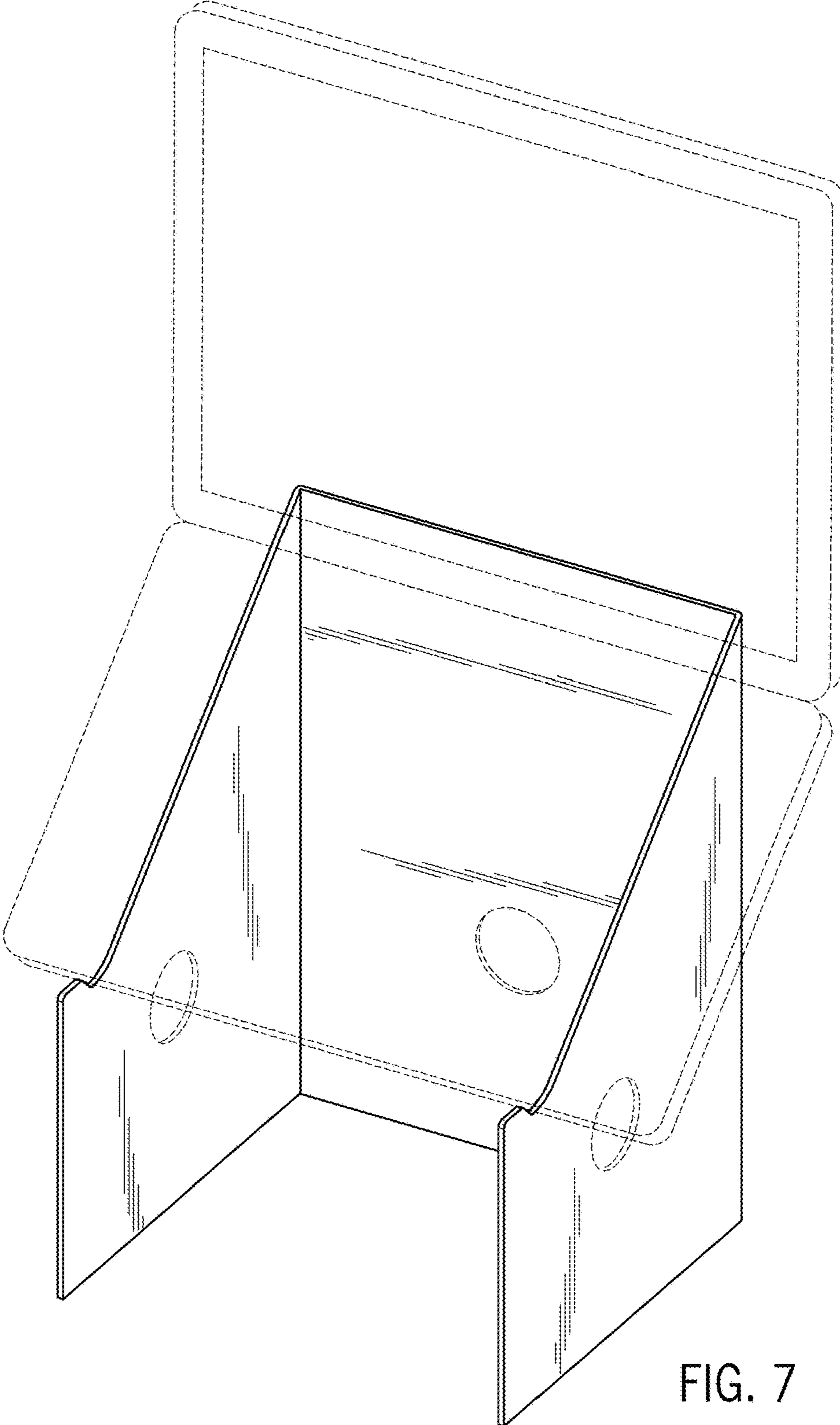


FIG. 7