



US00D842861S

(12) **United States Design Patent**
Bailey et al.

(10) **Patent No.:** **US D842,861 S**

(45) **Date of Patent:** **** Mar. 12, 2019**

(54) **CLIP FOR AN ELECTRONIC DEVICE**
(71) Applicant: **NLU Products, L.L.C.**, Lehi, UT (US)
(72) Inventors: **Clark Bailey**, Park City, UT (US);
Gavin Wallin, Eagle Mountain, UT (US)

(73) Assignee: **NLU PRODUCTS, L.L.C.**, Lehi, UT (US)

(**) Term: **15 Years**

(21) Appl. No.: **29/643,870**

(22) Filed: **Apr. 12, 2018**

(51) **LOC (11) Cl.** **14-02**

(52) **U.S. Cl.**
USPC **D14/440**

(58) **Field of Classification Search**
USPC D14/440; 206/45.23, 320, 45.2;
361/679.55; 294/25; 224/218
CPC G06F 1/626; H04B 1/3555; H05K 5/0217
See application file for complete search history.

(56) **References Cited**

U.S. PATENT DOCUMENTS

D379,265 S *	5/1997	Wathen	D14/440
D573,987 S *	7/2008	Dearborn	D14/363
D613,285 S *	4/2010	Grant	D14/341
D676,851 S *	2/2013	Finnegan	D14/440
D689,056 S *	9/2013	Li	D14/440

D690,704 S *	10/2013	Padilla	D14/440
D727,917 S *	4/2015	Yeo	D14/440
D752,052 S *	3/2016	Park	D14/440
D784,350 S *	4/2017	Li	D14/440
D807,366 S *	1/2018	Chen	D14/440
D811,412 S *	2/2018	McCurdy	D14/440
D821,405 S *	6/2018	Chen	D14/440

* cited by examiner

Primary Examiner — Cynthia R Underwood

(74) *Attorney, Agent, or Firm* — Parsons Behle & Latimer

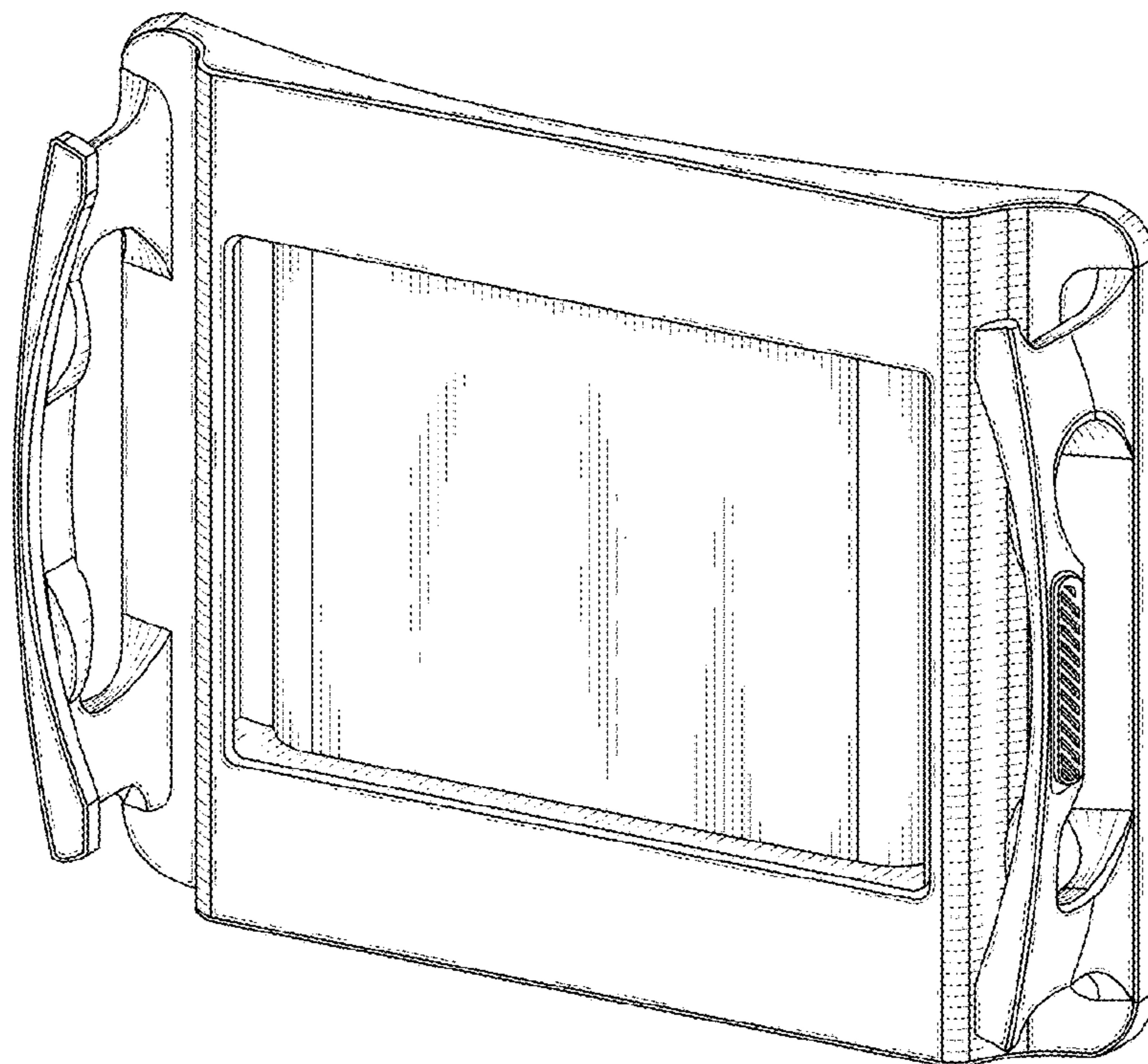
(57) **CLAIM**

The ornamental design for a clip for an electronic device, as shown.

DESCRIPTION

FIG. 1 is a perspective view showing a clip for an electronic device embodying the new design;
FIG. 2 is a top plan view thereof;
FIG. 3 is a bottom plan view thereof;
FIG. 4 is a right side plan view thereof;
FIG. 5 is a left side plan view thereof;
FIG. 6 is a rear plan view thereof; and
FIG. 7 is a front plan view thereof; and,
FIG. 8 is a cross-sectional view thereof.
The broken line showings in the figures define the bounds of the claimed design and form no part of the claimed design.

1 Claim, 4 Drawing Sheets



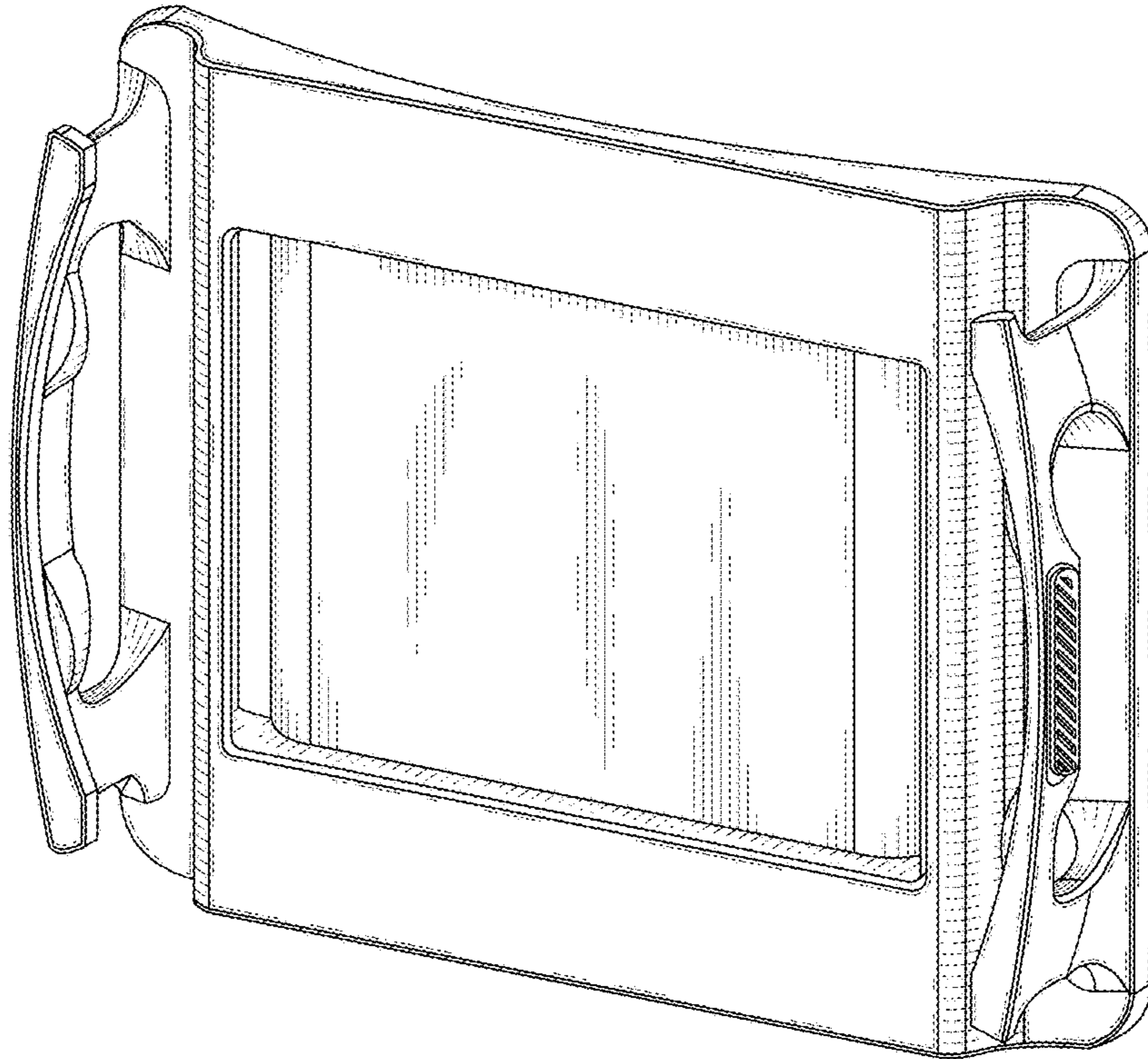


FIG. 1

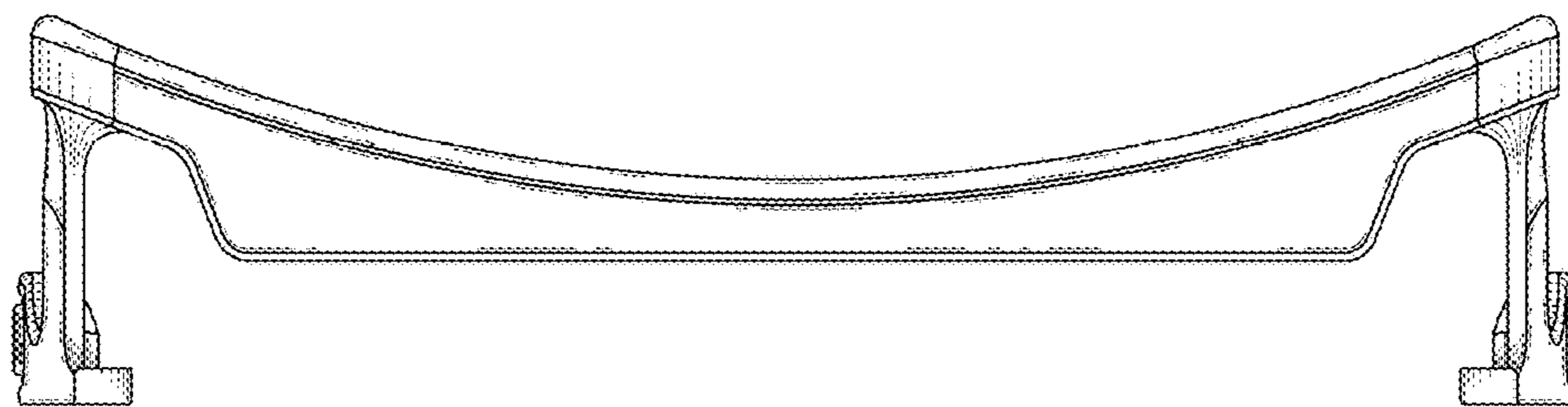


FIG. 2

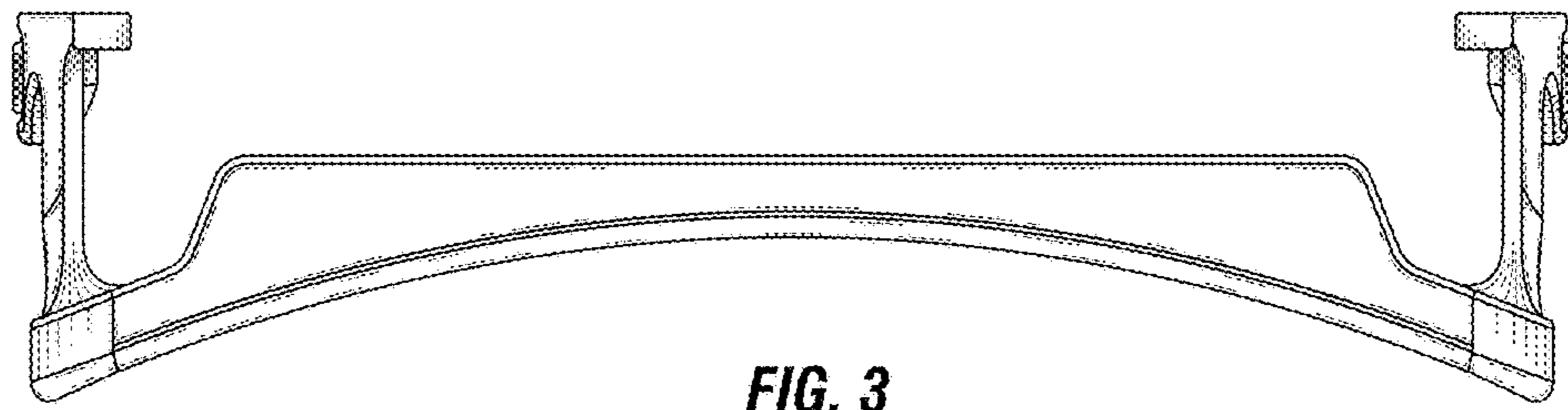


FIG. 3

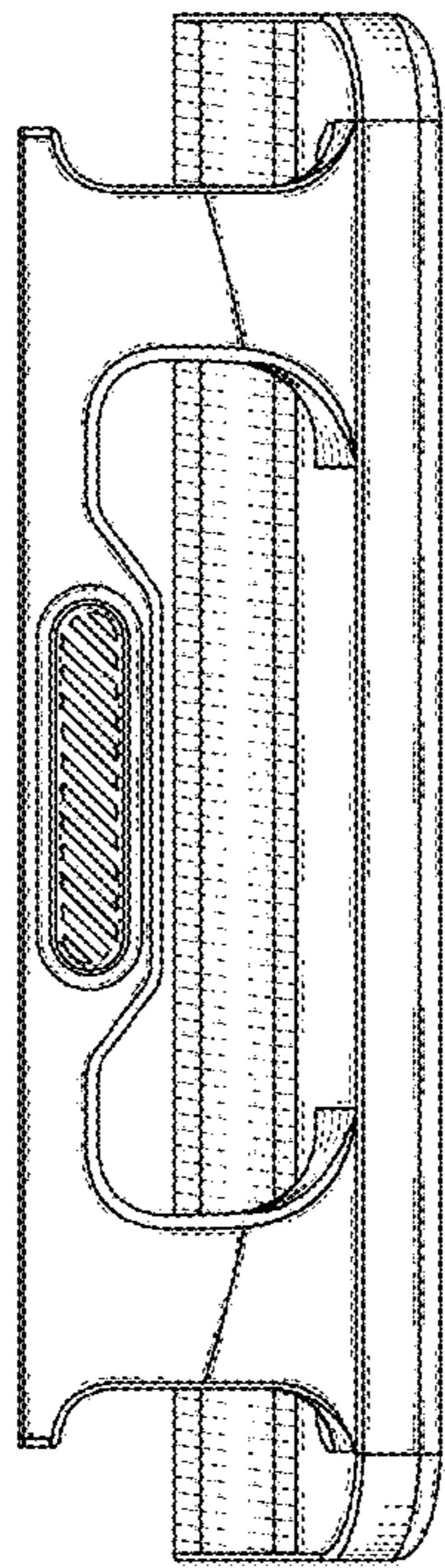


FIG. 4

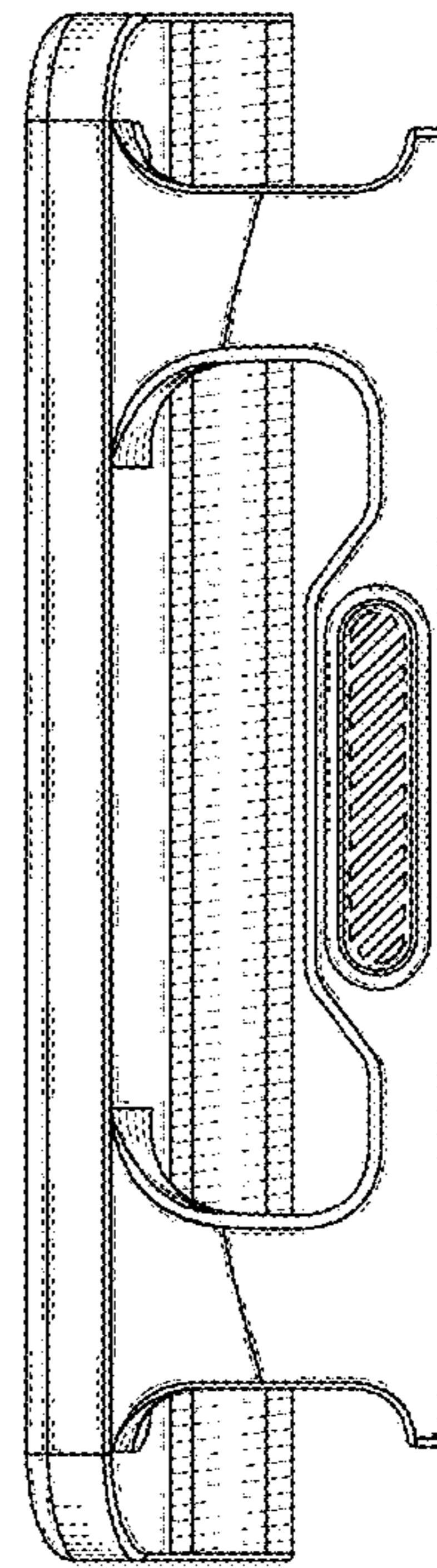


FIG. 5

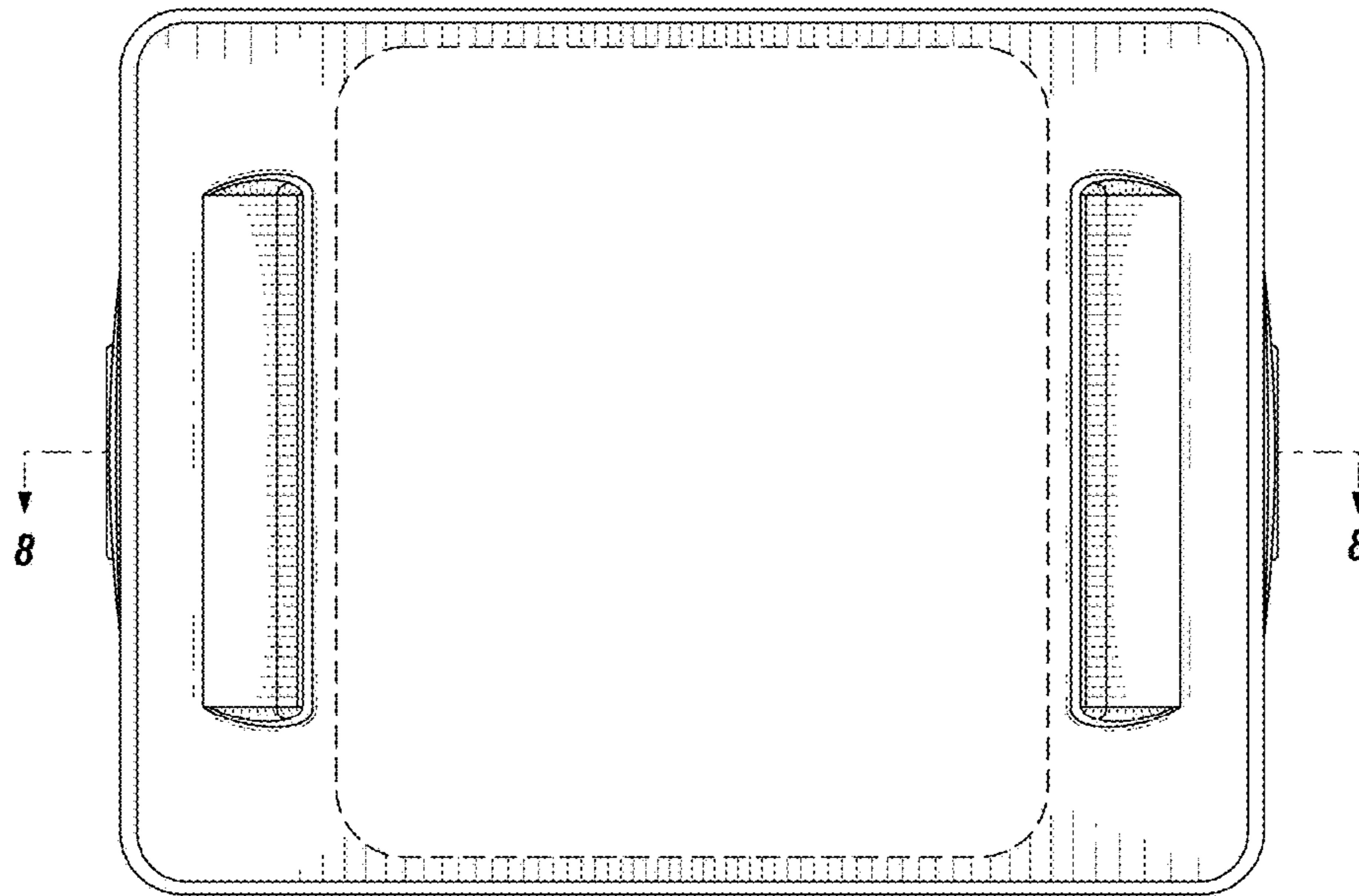


FIG. 6

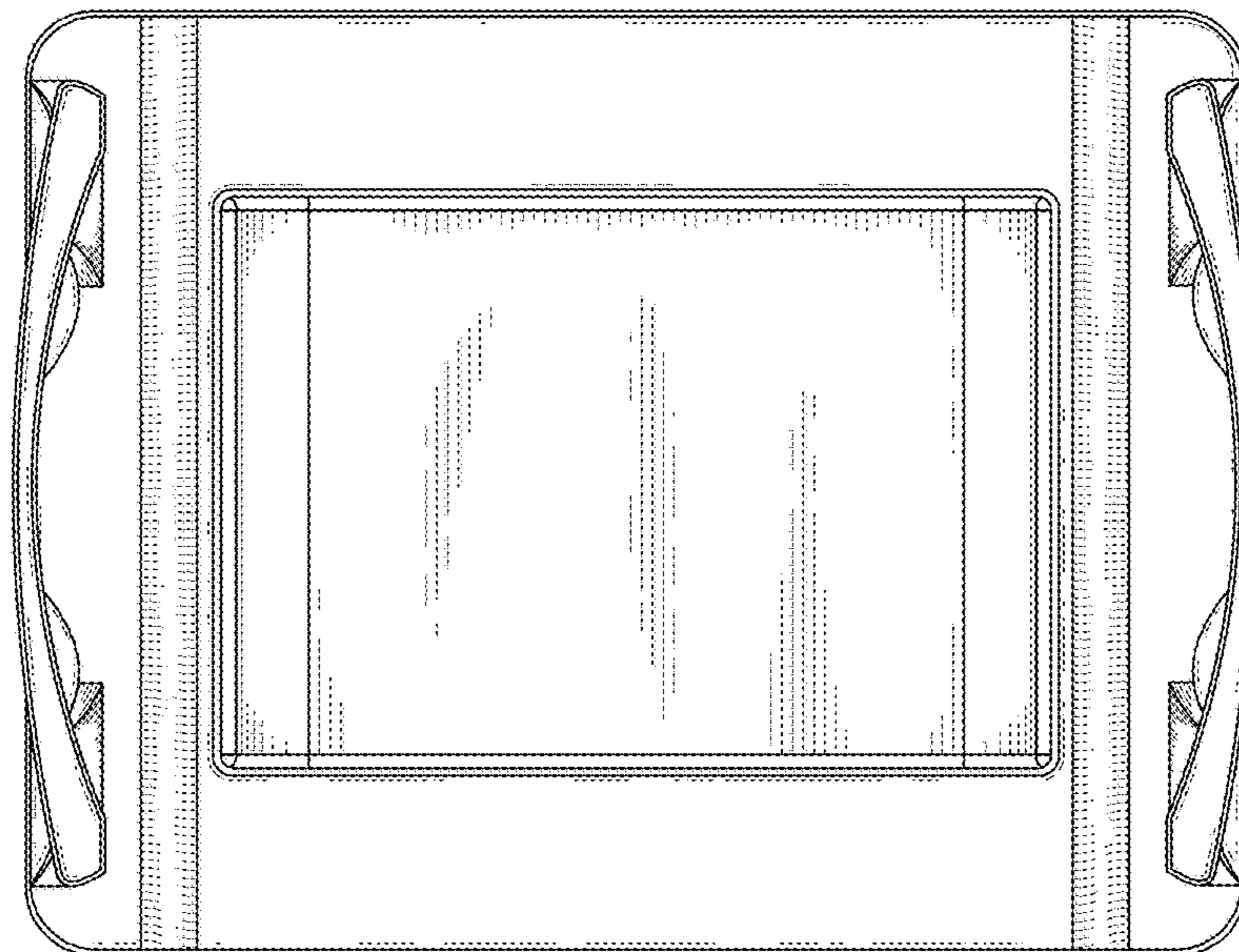


FIG. 7

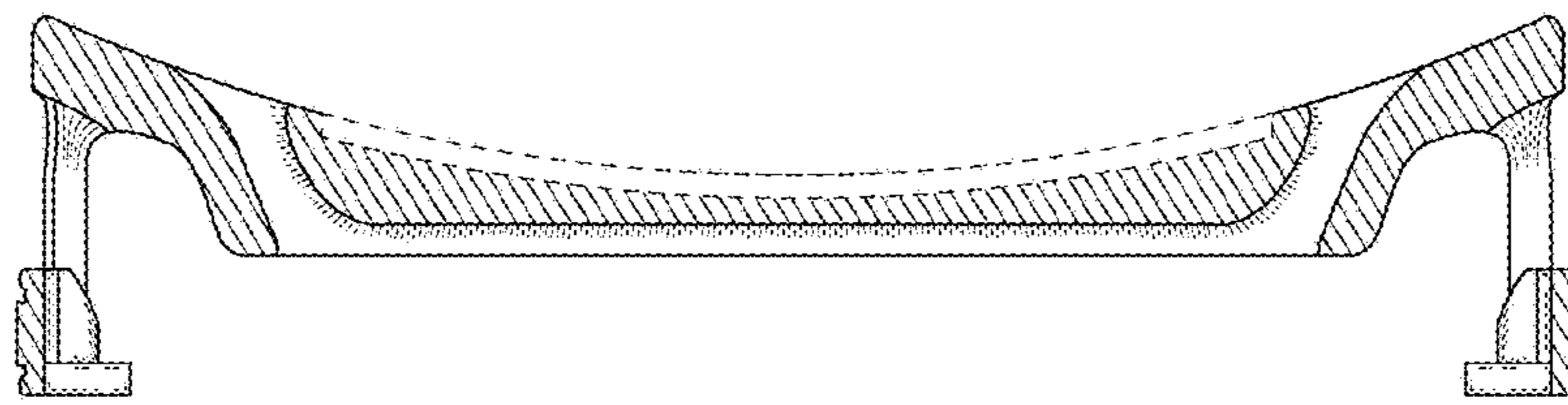


FIG. 8