



US00D842859S

(12) **United States Design Patent**
Loh et al.

(10) **Patent No.:** **US D842,859 S**
(45) **Date of Patent:** **** Mar. 12, 2019**

- (54) **HDMI SWITCH HOUSING**
- (71) Applicant: **Forever Holdings, Inc.**, Woodbury, MN (US)
- (72) Inventors: **Shung Loh**, Woodbury, MN (US); **Ho Yin Lee**, Woodbury, MN (US); **Kak Yee Lee**, Woodbury, MN (US)
- (73) Assignee: **Forever Holdings, Inc.**, Woodbury, MN (US)
- (**) Term: **15 Years**
- (21) Appl. No.: **29/627,388**
- (22) Filed: **Nov. 27, 2017**
- (51) **LOC (11) Cl.** **14-02**
- (52) **U.S. Cl.**
USPC **D14/433**
- (58) **Field of Classification Search**
USPC D13/110, 112, 118, 123, 133, 146, 154, D13/156, 158-160, 173, 177, 184, 199; D14/125, 240, 300-302, 308-314, 348, D14/353-358, 432, 433, 439-446, 496
CPC H01R 13/00; H01R 13/631; H01R 13/648; H01R 25/00; H01R 27/02; H05K 5/00; H05K 5/04; H04L 12/2832; H04L 12/2838; G06F 3/00; G06F 5/00; G06F 13/14
See application file for complete search history.

- (56) **References Cited**
U.S. PATENT DOCUMENTS
D303,246 S * 9/1989 Freeman D13/147
D425,866 S * 5/2000 Nagasawa D13/147
D656,936 S * 4/2012 Saunders D14/240
D661,249 S * 6/2012 Smith D13/110
D662,904 S * 7/2012 Wu D14/125
D670,291 S * 11/2012 Dalton B25C 7/00
D14/433

- D686,206 S * 7/2013 Wu D14/240
- D760,647 S * 7/2016 Chen D13/103
- D794,028 S * 8/2017 Lin D14/433
- D821,386 S * 6/2018 Dou D14/314
- D828,356 S * 9/2018 Xie D14/433
- 2007/0174532 A1* 7/2007 Chen G06F 1/266
710/313
- 2014/0360892 A1* 12/2014 Lin A45C 11/00
206/37

FOREIGN PATENT DOCUMENTS

GB 6035918 * 5/2018

OTHER PUBLICATIONS

Zettaguard 4x1 HDMI Switch, dated Feb. 14, 2017, [online], [site visited Sep. 24, 2018]. Available from Internet, <URL: https://www.youtube.com/watch?v=YZ_aQZ8i_kA> (Year: 2017).*

* cited by examiner

Primary Examiner — Angela J Lee
Assistant Examiner — Shawn T Gingrich
(74) *Attorney, Agent, or Firm* — Haugen Law Firm PLLP

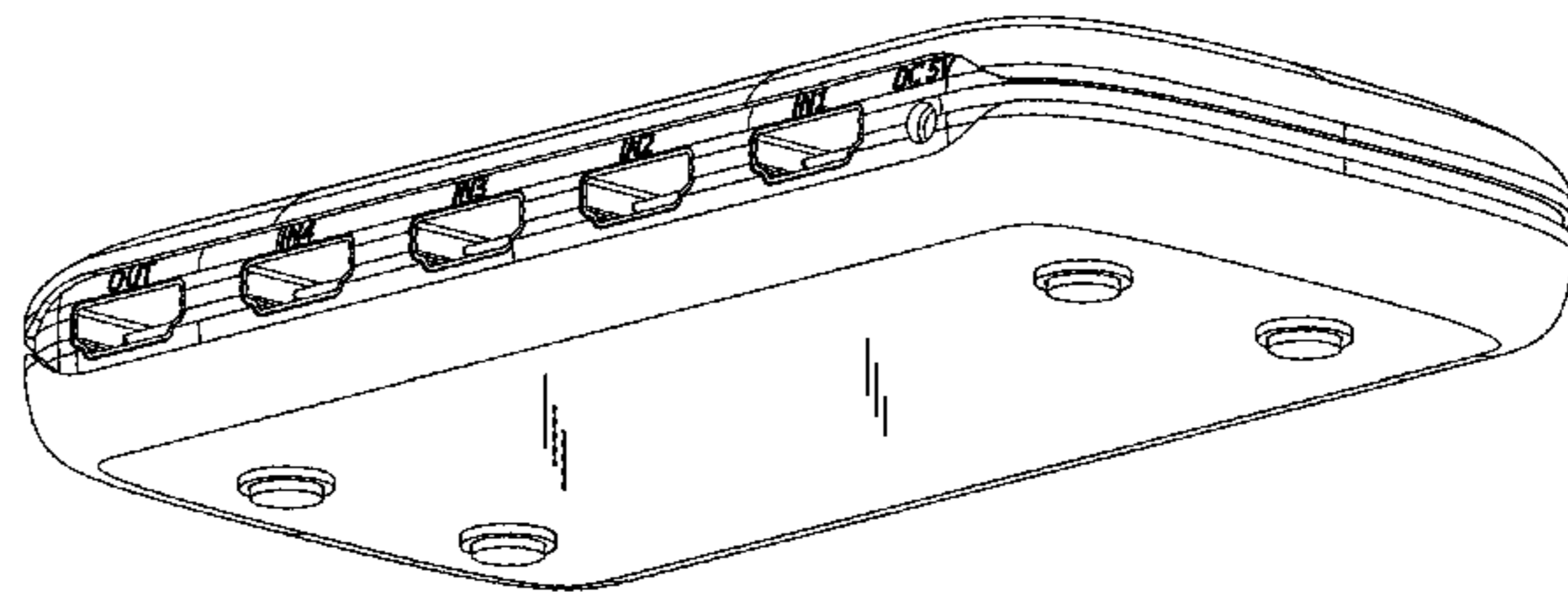
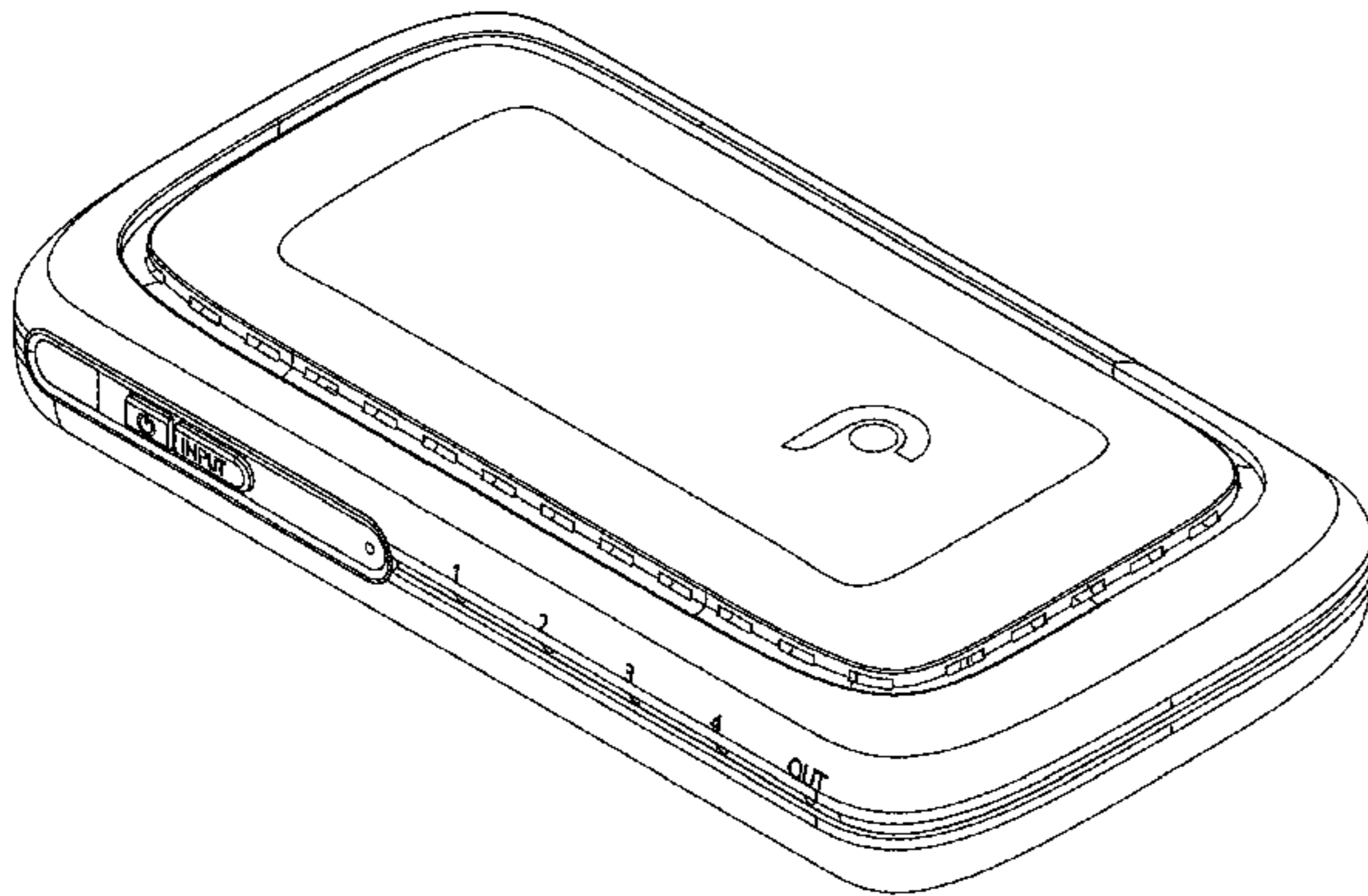
(57) **CLAIM**

The ornamental design for a HDMI switch housing, as shown and described.

DESCRIPTION

FIG. 1 is a front top right-side perspective view of the HDMI switch housing of the present invention;
FIG. 2 is a front view thereof;
FIG. 3 is a back view thereof;
FIG. 4 is a left side view thereof;
FIG. 5 is a right side view thereof;
FIG. 6 is a top view thereof;
FIG. 7 is a bottom view thereof; and,
FIG. 8 is a bottom back left perspective view thereof.

1 Claim, 8 Drawing Sheets



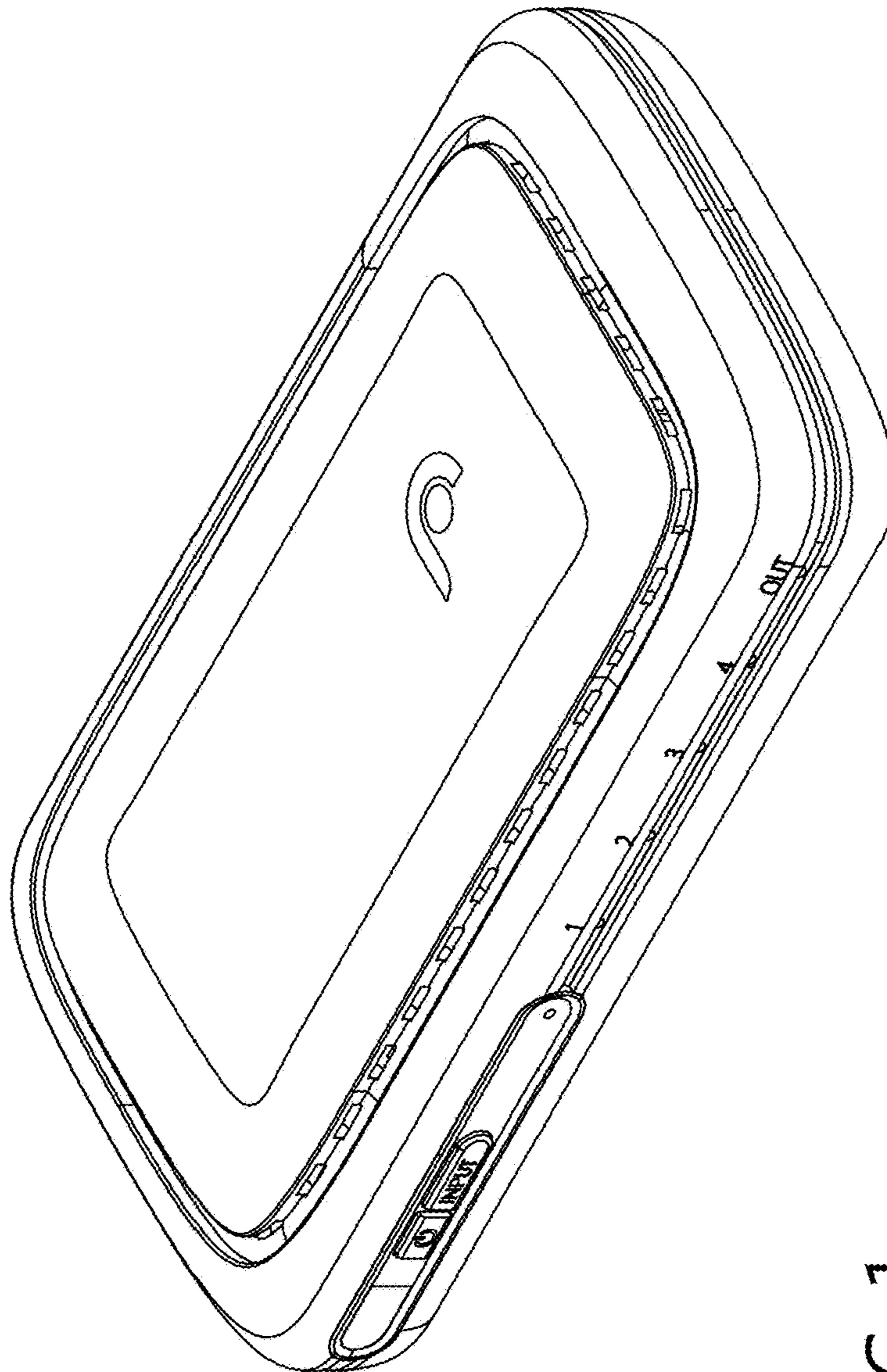


FIG. 1

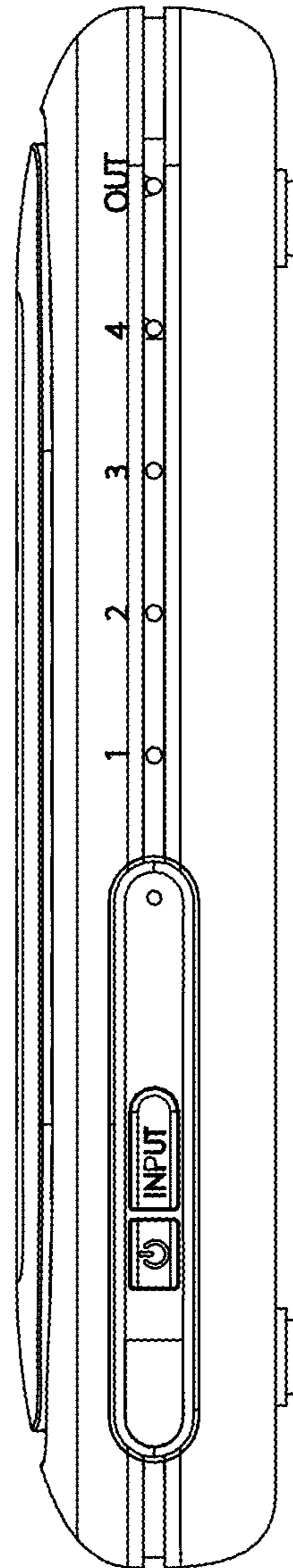


FIG. 2

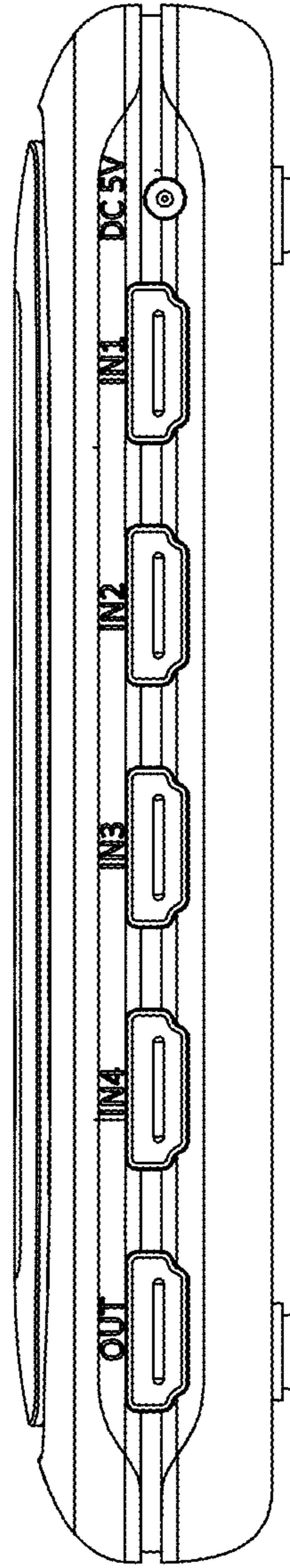


FIG. 3

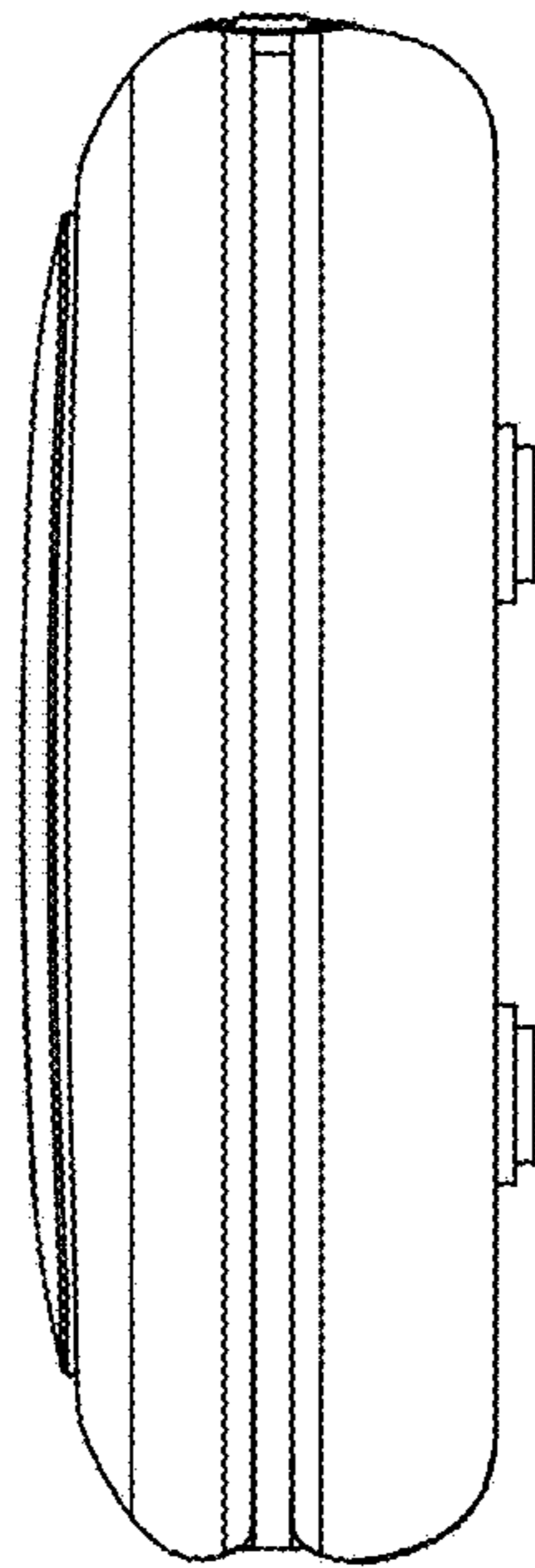


FIG. 4

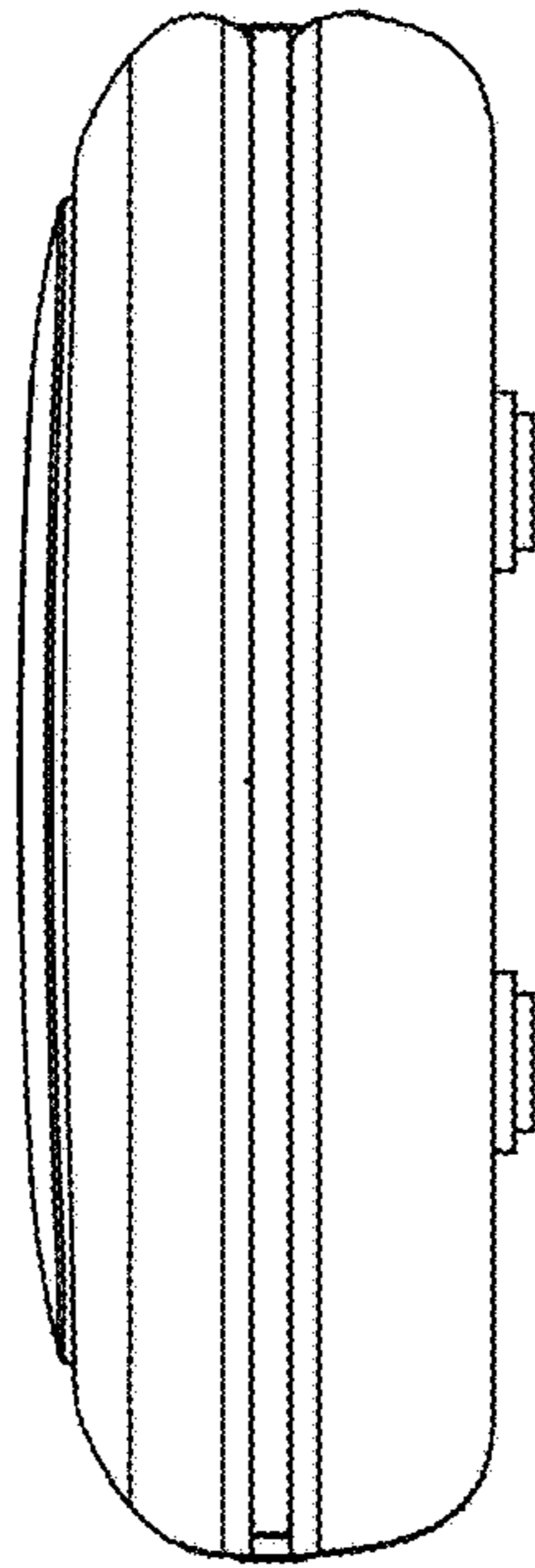


FIG. 5

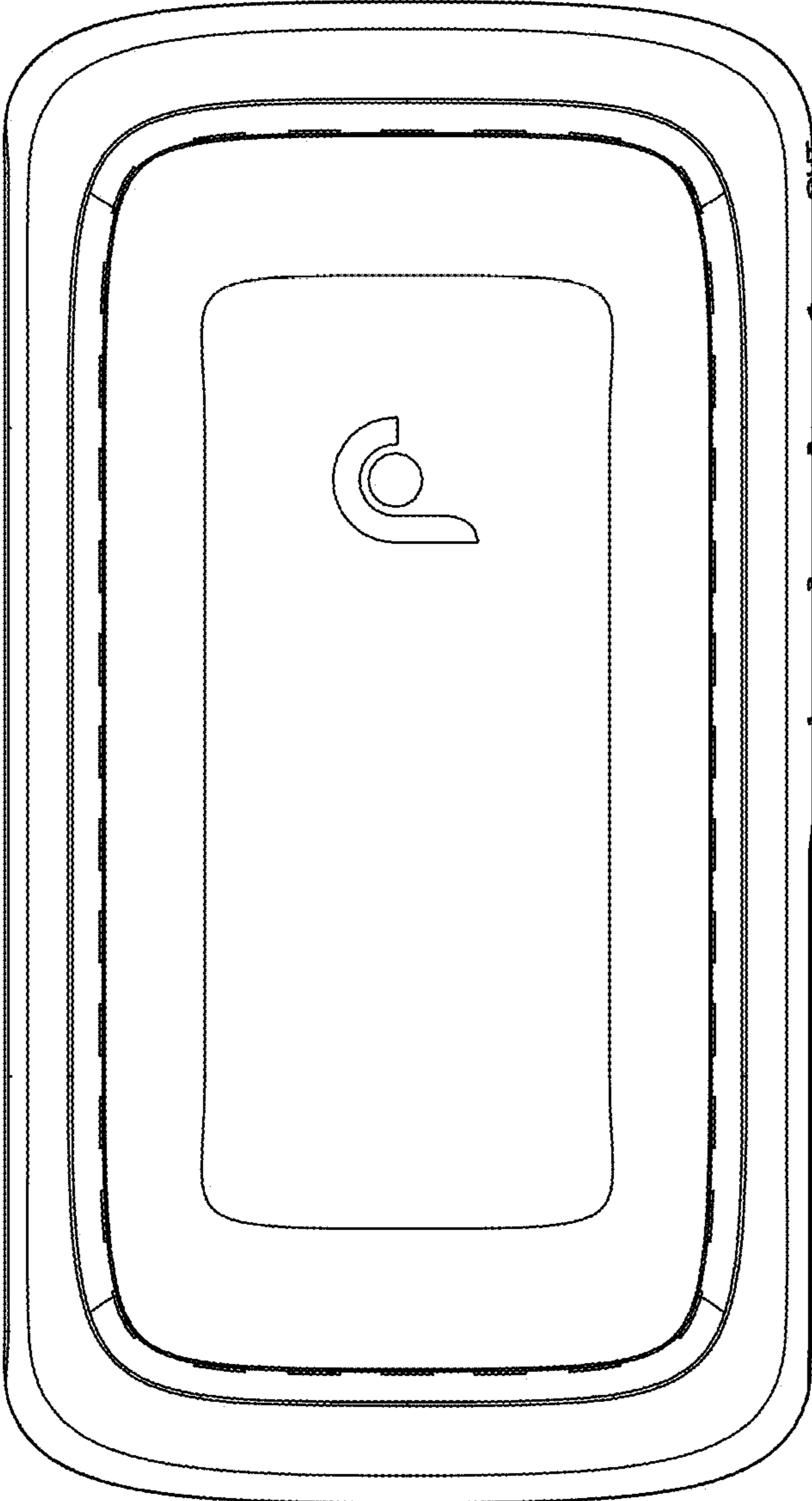


FIG. 6

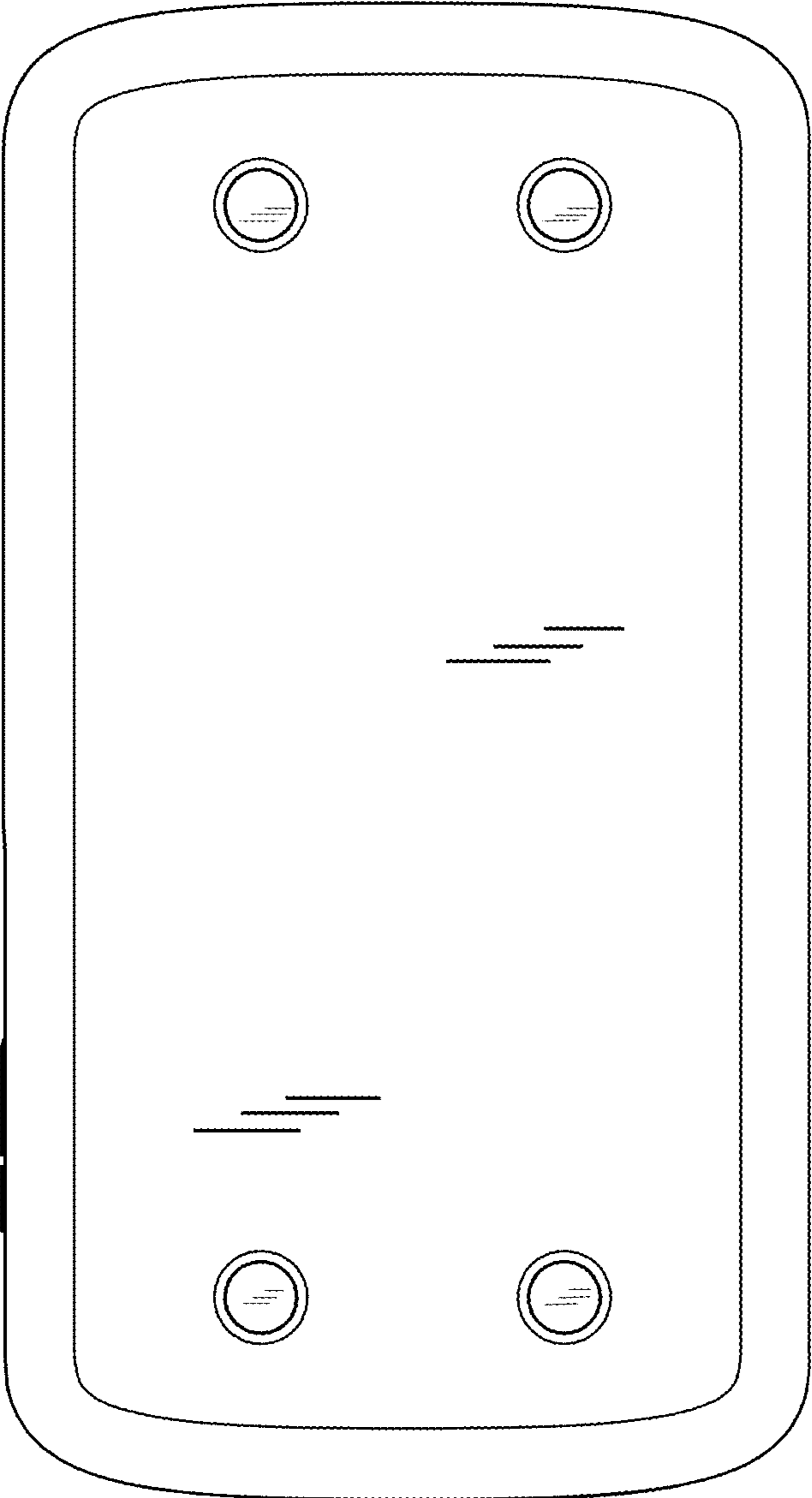


FIG. 7

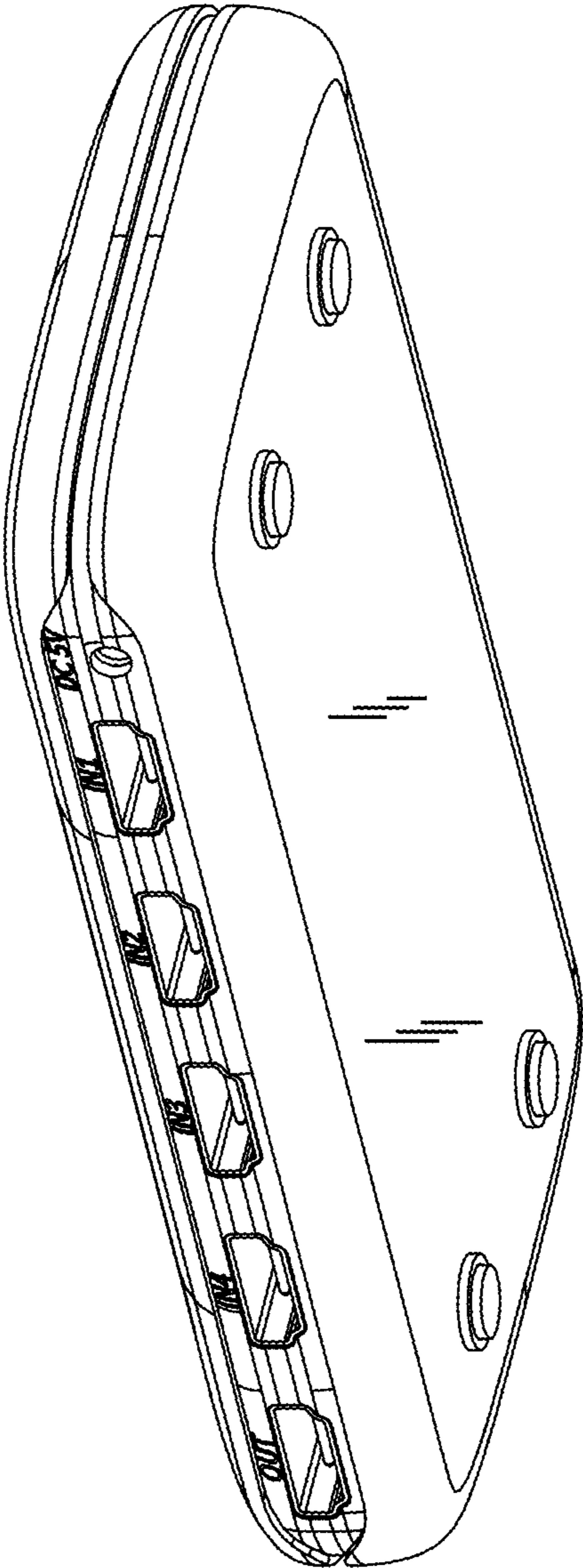


FIG. 8