



US00D842858S

(12) **United States Design Patent** (10) **Patent No.:** **US D842,858 S**  
**Lee et al.** (45) **Date of Patent:** **\*\* Mar. 12, 2019**

(54) **WIRELESS KEYBOARD**

(56) **References Cited**

(71) Applicants: **Da Geun Lee**, Gyeonggi-do (KR);  
**Jung Min Kim**, Gyeonggi-do (KR);  
**Seon Hong Kim**, Chungcheongnam-do (KR)

U.S. PATENT DOCUMENTS

D404,392	S	*	1/1999	Inbal	.....	D14/392
D443,270	S	*	6/2001	Lo	.....	D14/392
D658,177	S	*	4/2012	Song	.....	D14/217
D721,375	S	*	1/2015	Choi	.....	D14/434
2016/0149597	A1	*	5/2016	Takasu	.....	G06F 1/1669 455/127.2

(72) Inventors: **Da Geun Lee**, Gyeonggi-do (KR);  
**Jung Min Kim**, Gyeonggi-do (KR);  
**Seon Hong Kim**, Chungcheongnam-do (KR)

\* cited by examiner

(\*\*) Term: **15 Years**

*Primary Examiner* — Freda S Nunn

(21) Appl. No.: **29/617,598**

(74) *Attorney, Agent, or Firm* — Ladas & Parry, LLP

(22) Filed: **Sep. 14, 2017**

(57) **CLAIM**

The ornamental design for a wireless keyboard, as shown and described.

(30) **Foreign Application Priority Data**

**DESCRIPTION**

Mar. 21, 2017 (CN) ..... 2017 3 0083903

(51) **LOC (11) Cl.** ..... **14-02**

(52) **U.S. Cl.**  
USPC ..... **D14/392**

(58) **Field of Classification Search**  
USPC ..... D14/315-327, 391-399, 455, 456;  
D18/1, 2, 7, 11; 235/145 A, 145 R;  
341/22, 23; 345/104, 156, 168, 169, 173;  
361/679.08, 679.09, 679.11, 679.26,  
361/679.27  
CPC ..... G06F 1/16; G06F 1/1616; G06F 1/1626;  
G06F 1/1632; G06F 1/1613; G06F  
1/1601; G06F 1/1618; G06F 1/162; G06F  
3/0221; G06F 3/0216; H01R 35/02;  
H03M 11/00; G09B 13/04; H03K 17/94;  
G09G 5/00; F16M 11/10; H05K 5/00;  
H04M 1/0237; H01H 13/14; H01H 13/84;  
B41J 5/00; B41J 5/12; B41J 5/10

FIG. 1 is a perspective view of a wireless keyboard showing the claimed design;  
FIG. 2 is a front view of the wireless keyboard showing the claimed design;  
FIG. 3 is a rear view of the wireless keyboard showing the claimed design;  
FIG. 4 is a left side view of the wireless keyboard showing the claimed design;  
FIG. 5 is a right side view of the wireless keyboard showing the claimed design;  
FIG. 6 is a top plan view of the wireless keyboard showing the claimed design; and,  
FIG. 7 is a bottom plan view of the wireless keyboard showing the claimed design.  
The broken lines in the figures show portions of the wireless keyboard which form no part of the claimed design, for example, but not limited to, characters, numbers and symbols on keycaps.

See application file for complete search history.

**1 Claim, 7 Drawing Sheets**

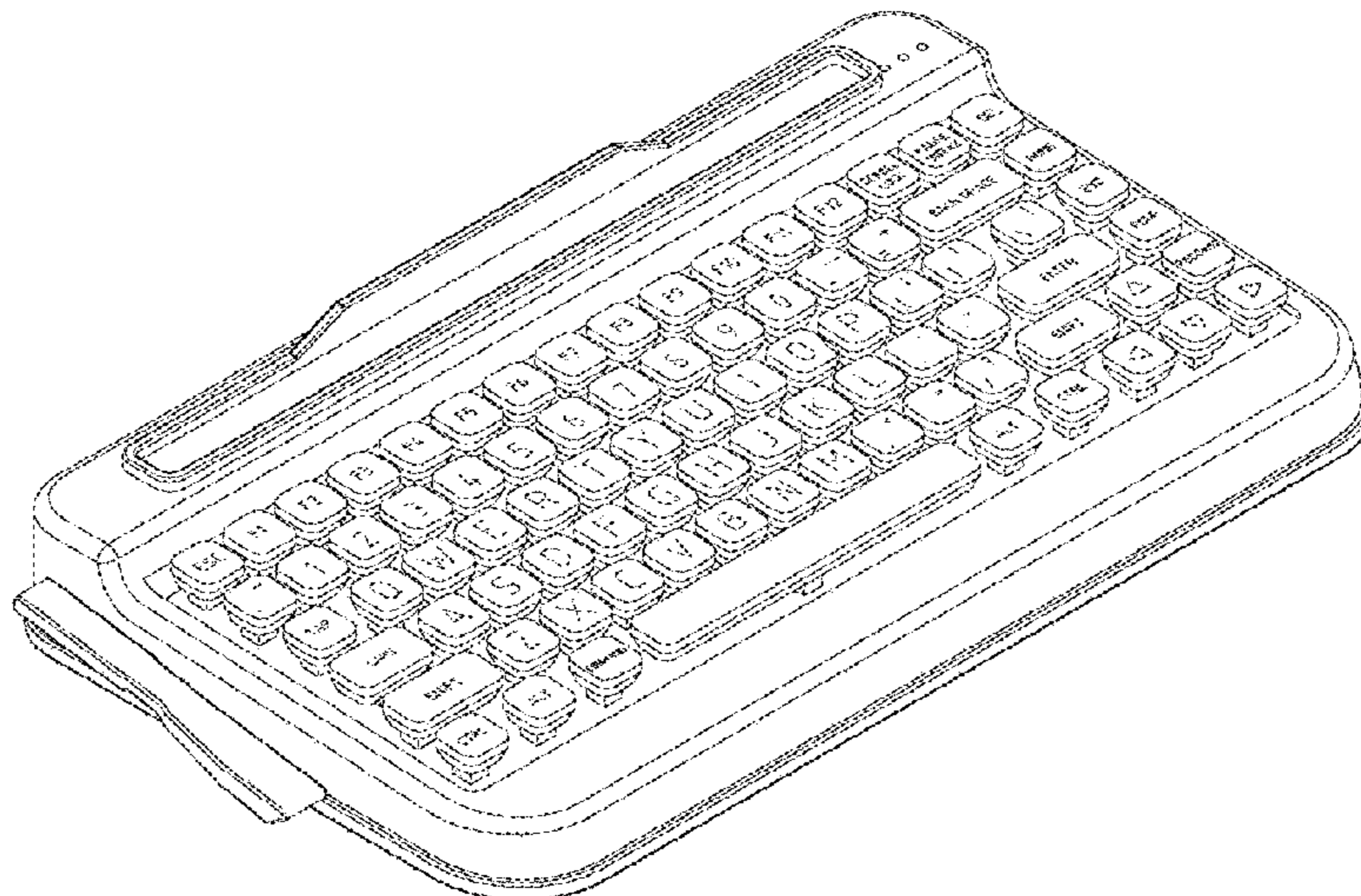


FIG. 1

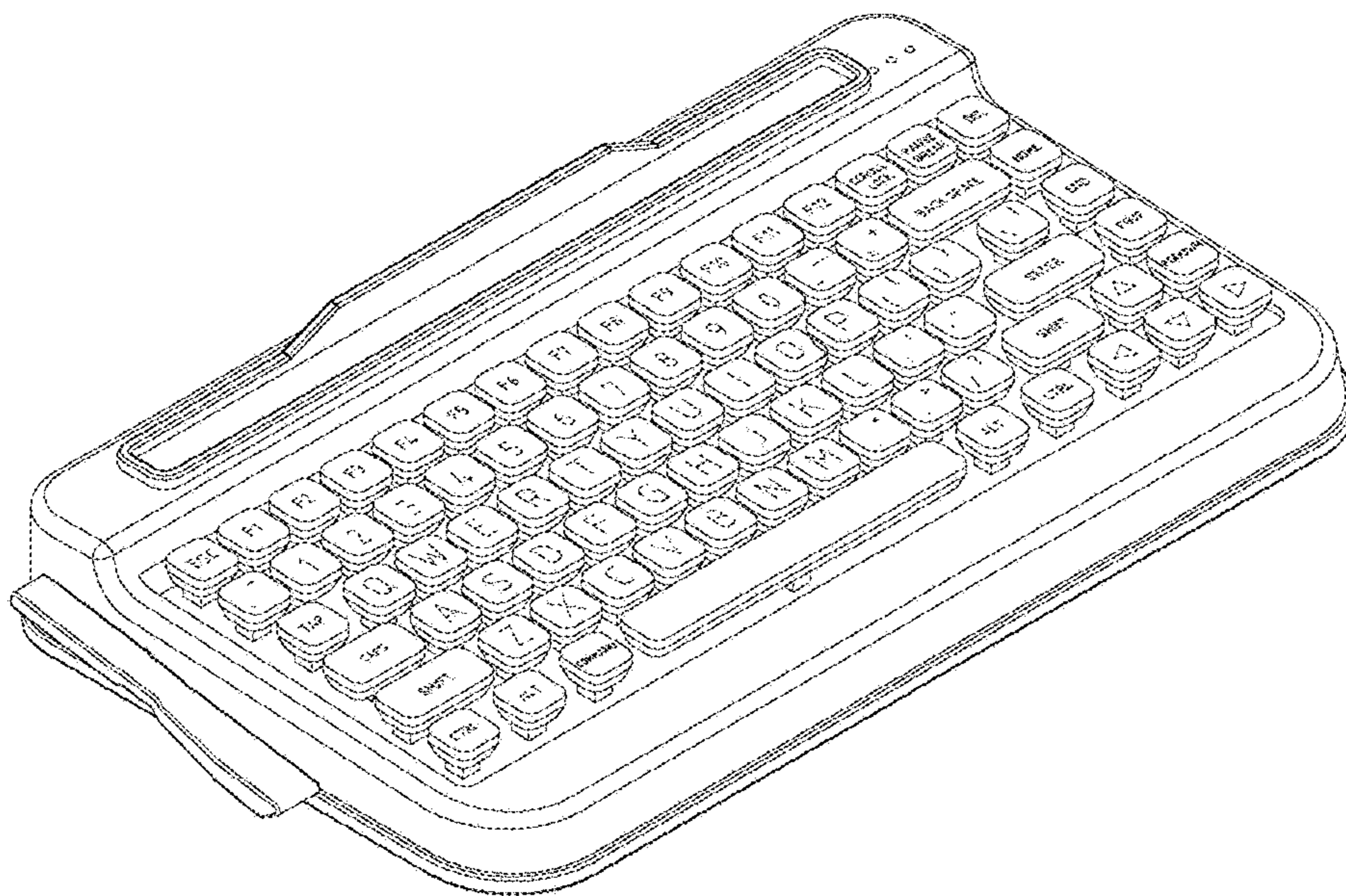


FIG. 2

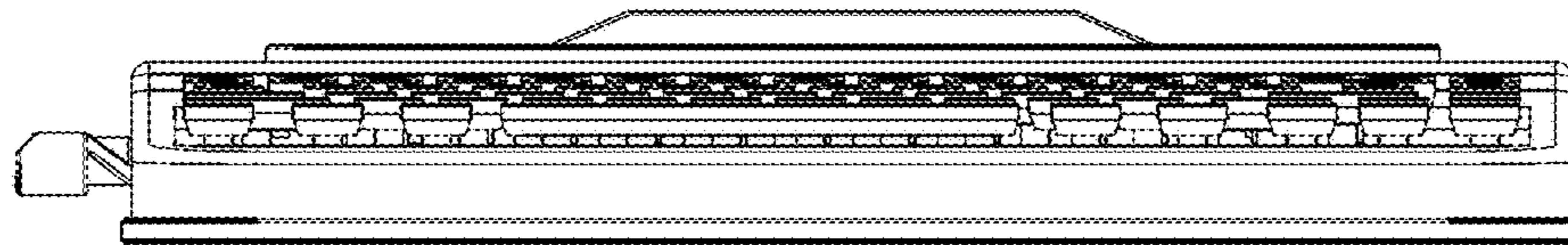


FIG. 3

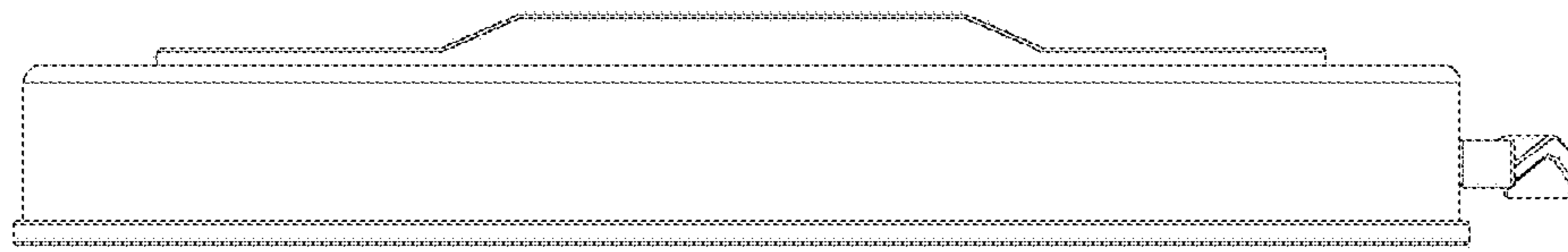


FIG. 4

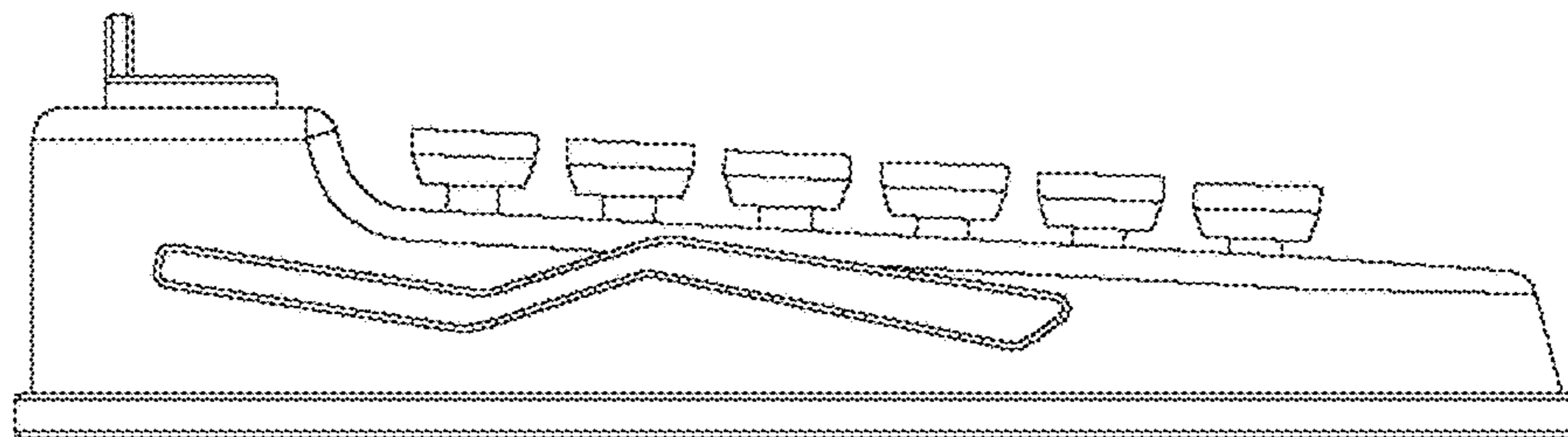




FIG. 5

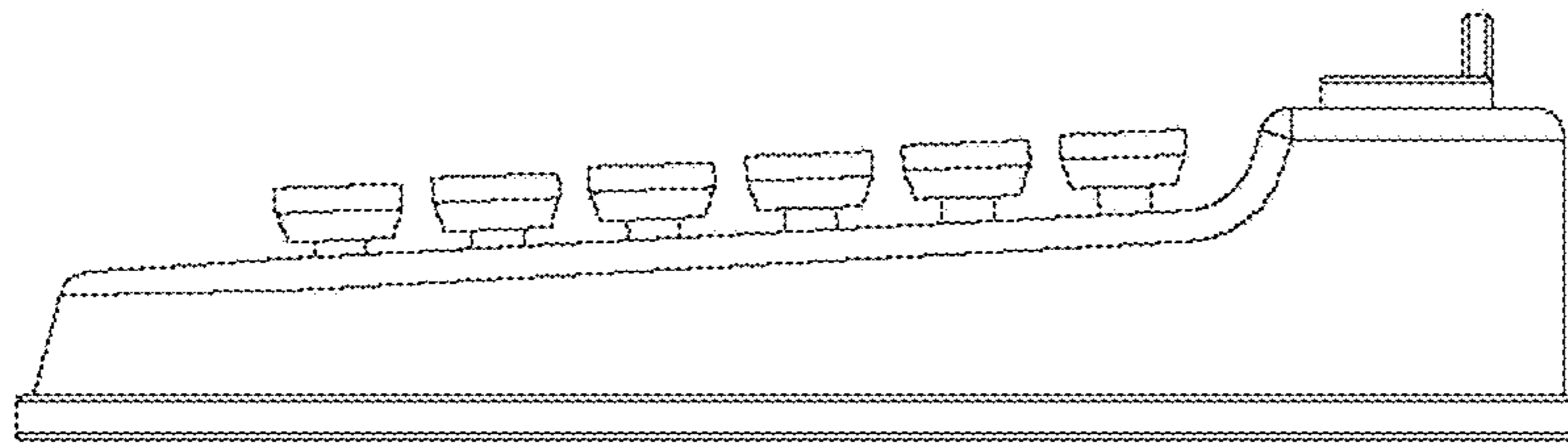


FIG. 6

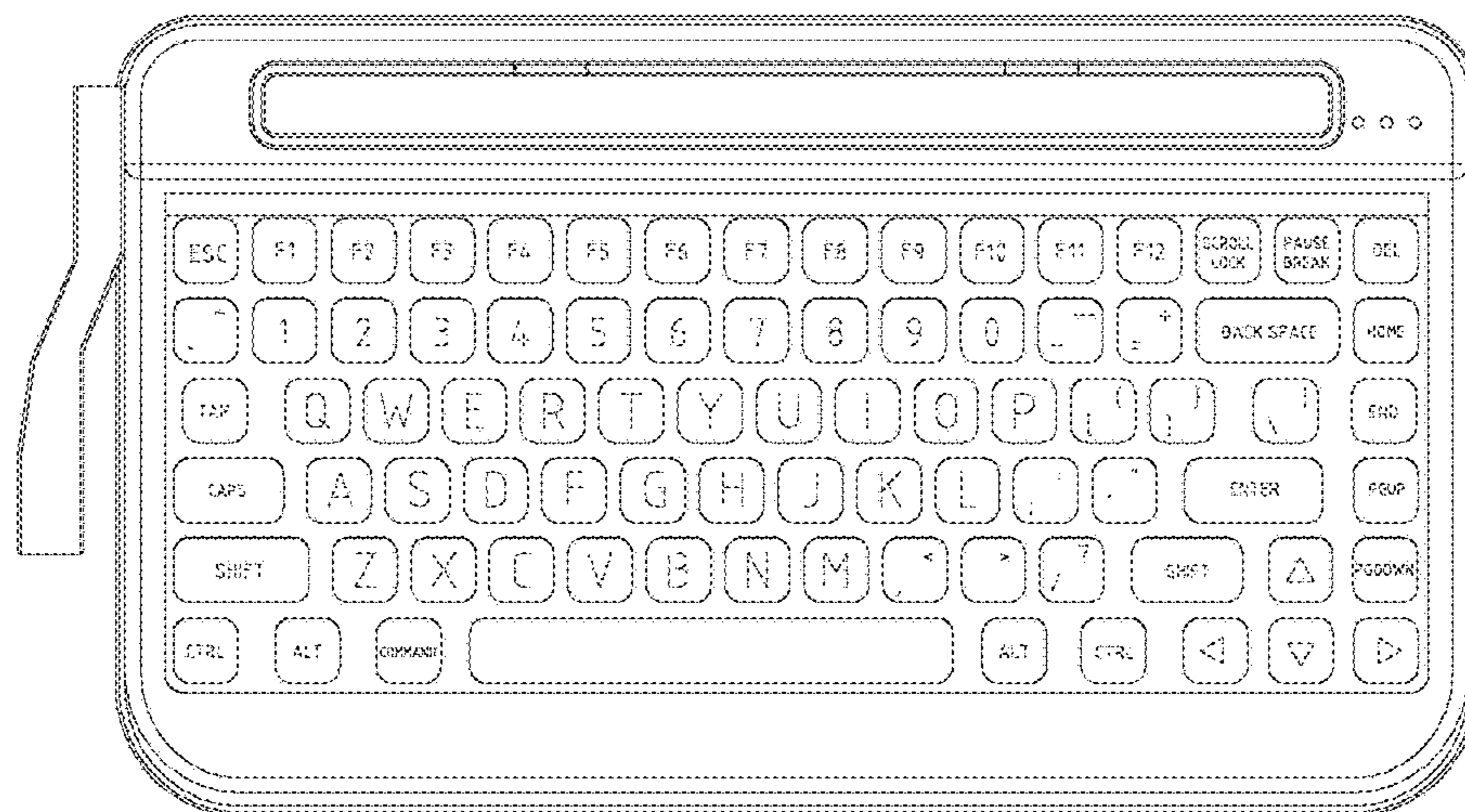


FIG. 7

