



US00D842855S

(12) **United States Design Patent** (10) **Patent No.:** **US D842,855 S**
Akana et al. (45) **Date of Patent:** **** Mar. 12, 2019**

(54) **WEARABLE DEVICE**

(71) Applicant: **Apple Inc.**, Cupertino, CA (US)

(72) Inventors: **Jody Akana**, San Francisco, CA (US); **Molly Anderson**, San Francisco, CA (US); **Bartley K. Andre**, Palo Alto, CA (US); **Shota Aoyagi**, San Francisco, CA (US); **Anthony Michael Ashcroft**, San Francisco, CA (US); **Jeremy Bataillou**, San Francisco, CA (US); **Daniel J. Coster**, San Francisco, CA (US); **Daniele De Iuliis**, San Francisco, CA (US); **M. Evans Hankey**, San Francisco, CA (US); **Julian Hoenig**, San Francisco, CA (US); **Richard P. Howarth**, San Francisco, CA (US); **Jonathan P. Ive**, San Francisco, CA (US); **Duncan Robert Kerr**, San Francisco, CA (US); **Marc A. Newson**, London (GB); **Matthew Dean Rohrbach**, San Francisco, CA (US); **Peter Russell-Clarke**, San Francisco, CA (US); **Benjamin Andrew Shaffer**, San Jose, CA (US); **Mikael Silvano**, San Francisco, CA (US); **Christopher J. Stringer**, Woodside, CA (US); **Eugene Antony Whang**, San Francisco, CA (US); **Rico Zörkendörfer**, San Francisco, CA (US)

(73) Assignee: **Apple Inc.**, Cupertino, CA (US)

(**) Term: **15 Years**

(21) Appl. No.: **29/630,866**

(22) Filed: **Dec. 22, 2017**

Related U.S. Application Data

(63) Continuation of application No. 29/597,710, filed on Mar. 20, 2017, now Pat. No. Des. 806,071, which is a continuation of application No. 29/557,215, filed on Mar. 7, 2016, now Pat. No. Des. 781,853.

(51) **LOC (11) Cl.** 14-02

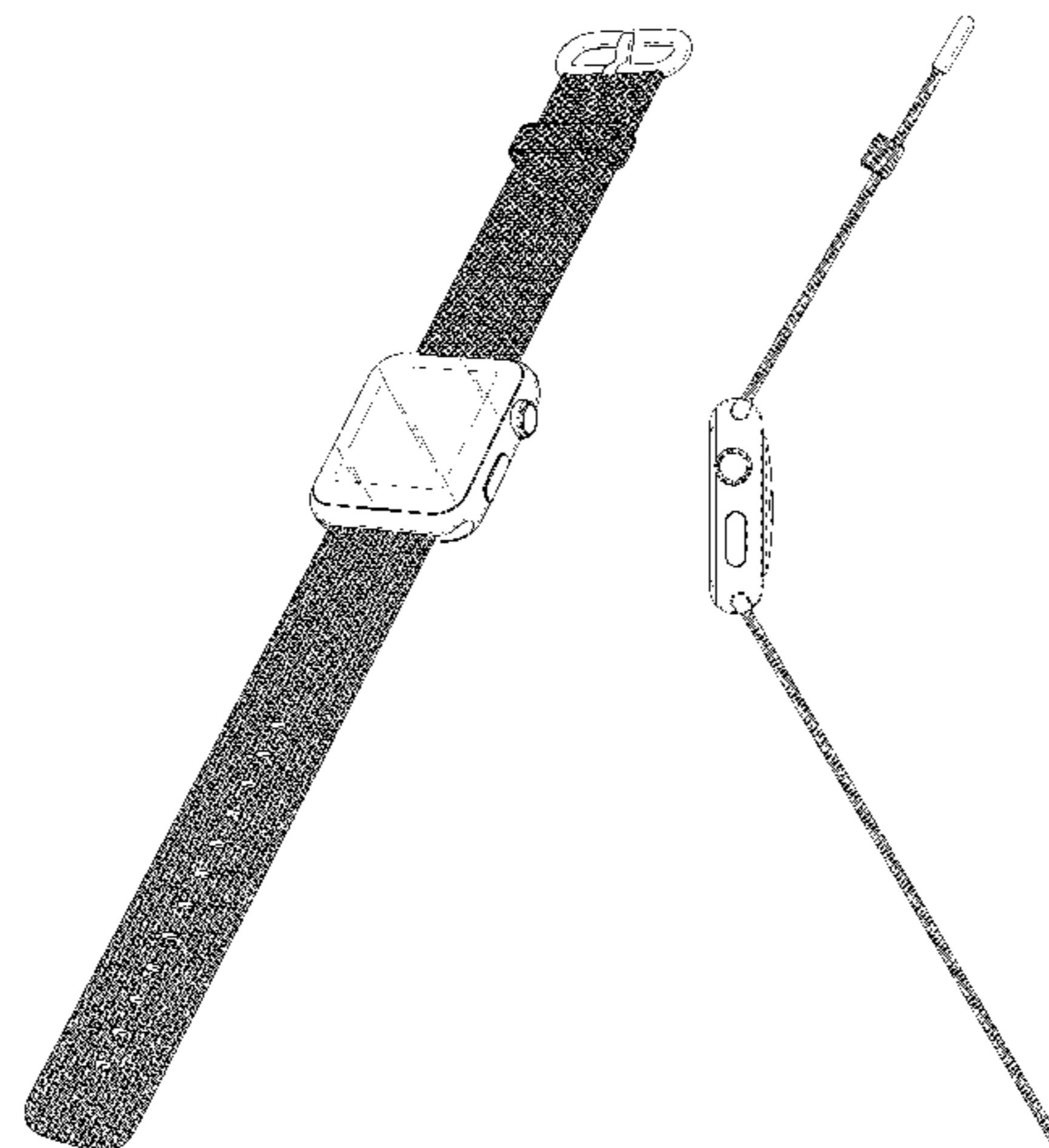
(52) **U.S. Cl.**
USPC **D14/344**

(58) **Field of Classification Search**
USPC .. D14/138 R, 144, 341, 344, 358, 388, 218; D10/30-39, 70, 98; D11/3, 4, 26, 93-94, D11/78.1, 79, 86; D24/167, 169, D24/186-187, 164
CPC A41D 1/002; A41D 19/0034; G06F 1/04; G06F 1/08; G06F 1/10; G06F 1/14; G06F 1/1626; G06F 1/1628; G06F 1/163; G06F 1/1635; G06F 1/3203; G06Q 20/10; G06Q 20/12; G06Q 20/108; G06Q 20/145; H04B 1/3833; H04B 1/385; H04B 1/3888; H04M 1/02; H04M 1/03; H04M 1/04; H04M 1/05; H04M 1/667; H04M 1/6058; Y02B 60/1217
See application file for complete search history.

(56) **References Cited**

U.S. PATENT DOCUMENTS

D80,307 S	1/1930	Conant
2,280,490 A	4/1942	Keltie
2,397,797 A	4/1946	Curto
2,451,750 A	10/1948	Kreisler et al.
D181,889 S	1/1958	Taylor
3,030,686 A	4/1962	Burkhardt
3,394,438 A	7/1968	Nelson
3,640,065 A	2/1972	Lederrey et al.
3,665,565 A	5/1972	Kruger
3,675,284 A	7/1972	Rieth
D240,605 S	7/1976	Sticker
D252,856 S	9/1979	Perrin
D270,430 S	9/1983	Fukuoka
D287,471 S	12/1986	Sato et al.
4,627,231 A	12/1986	Kiuchi
D320,356 S	10/1991	Boyer et al.
D344,038 S	2/1994	Phillips et al.
5,363,351 A	11/1994	Carney
5,386,933 A	2/1995	Greene et al.
D372,658 S	8/1996	Decursu et al.
5,574,701 A	11/1996	Harilela
D377,914 S	2/1997	Riley
D379,327 S	5/1997	Navera
D379,775 S	6/1997	Gazzola
D383,985 S	9/1997	Davenport
D386,980 S	12/1997	Houlihan



US D842,855 S

5,886,669 A	3/1999	Kita	D750,524 S	3/2016	Akana et al.	
D438,812 S	3/2001	Bert	D751,070 S	3/2016	Akana et al.	
D439,172 S	3/2001	Brzezinski	D752,044 S	3/2016	Akana et al.	
D440,901 S	4/2001	Bruce et al.	D753,008 S	4/2016	Akana et al.	
6,219,303 B1	4/2001	Morohoshi et al.	D756,357 S	5/2016	Akana et al.	
D441,680 S	5/2001	Bruce et al.	D756,824 S	5/2016	Akana et al.	
6,238,083 B1	5/2001	Hirano et al.	D757,722 S	5/2016	Akana et al.	
D461,726 S	8/2002	Jamin	D757,819 S	5/2016	Akana et al.	
D473,818 S	4/2003	Salvisberg	D758,363 S	6/2016	Akana et al.	
6,655,831 B1	12/2003	Ruffieux	D759,011 S	6/2016	Akana et al.	
D494,098 S	8/2004	Cohen	D759,121 S	6/2016	Akana et al.	
D496,589 S	9/2004	Perrenoud	D759,725 S *	6/2016	Akana et al.	D14/496
6,801,476 B2	10/2004	Gilmour	D760,717 S	7/2016	Solomon et al.	
6,970,157 B2	11/2005	Siddeeq	D764,340 S	8/2016	Akana et al.	
D513,195 S	12/2005	Gruosi	D764,341 S	8/2016	Akana et al.	
7,004,469 B2	2/2006	Von Goeben	D766,115 S	9/2016	Ma	
D528,439 S	9/2006	Burton	D766,752 S	9/2016	Akana et al.	
D528,928 S	9/2006	Burton	D768,025 S	10/2016	Akana et al.	
7,106,197 B2	9/2006	Gaiotto et al.	D768,623 S *	10/2016	Zou et al.	D10/39
7,275,667 B2	10/2007	Bertucci	D768,634 S	10/2016	Akana et al.	
D558,227 S	12/2007	Cho et al.	D769,869 S *	10/2016	Zhou et al.	D10/38
D564,904 S	3/2008	Leung	D771,035 S	11/2016	Akana et al.	
D572,266 S	7/2008	Anderson et al.	D771,036 S	11/2016	Akana et al.	
D574,735 S	8/2008	Landman et al.	9,483,074 B2	11/2016	Oh et al.	
D578,922 S	10/2008	Hoshino	D777,163 S *	1/2017	Akana et al.	D14/344
D584,170 S	1/2009	Morrison	D778,912 S	2/2017	Akana et al.	
D586,823 S	2/2009	Anderson et al.	D781,853 S	3/2017	Akana et al.	
D589,375 S	3/2009	Tang	D789,822 S	6/2017	Akana et al.	
D589,376 S *	3/2009	Tang et al.	D795,121 S	8/2017	Akana et al.	
D596,610 S	7/2009	Hou	9,811,648 B2 *	11/2017	Choi et al.	G06F 21/32
D606,889 S	12/2009	Nusbbaumer	D804,335 S *	12/2017	Bihan et al.	D10/70
D616,417 S	5/2010	Liao	9,901,147 B1 *	2/2018	Karanikos et al.	H05K 999/99
7,708,457 B2	5/2010	Girardin et al.	D816,522 S *	5/2018	Zhou et al.	D10/70
D622,164 S	8/2010	Mikkelsen	10,019,067 B2 *	7/2018	Yoon et al.	G06F 3/017
D631,373 S	1/2011	Mikkelsen	2001/0017663 A1	8/2001	Yamaguchi et al.	
D637,094 S	5/2011	Cobbett et al.	2002/0051075 A1	5/2002	Yamaguchi et al.	
D637,918 S	5/2011	Cobbett et al.	2010/0061191 A1	3/2010	Chen	
D638,725 S	5/2011	Morrison	2014/0096345 A1	4/2014	Tschumi	
D650,706 S *	12/2011	Zanella et al.	2014/0098649 A1	4/2014	Tschumi	
D666,503 S	9/2012	Bulgari	2016/0037866 A1 *	2/2016	Rohrbach et al.	A44B 11/24 2/170
D674,488 S	1/2013	McKay et al.	2016/0062392 A1	3/2016	Townsend et al.	
8,345,412 B2	1/2013	Maravilla et al.	2016/0062405 A1	3/2016	Mylvaganam et al.	
D681,483 S	5/2013	Biegert et al.	2017/0065038 A1 *	3/2017	Griffin, II et al.	A44C 5/0053
8,601,784 B2	12/2013	Kaltenrieder				
8,613,544 B2	12/2013	Kitahara et al.				
D699,701 S	2/2014	Kim				
D715,674 S	10/2014	Squires				
D719,123 S	12/2014	Park et al.				
D719,467 S	12/2014	Bradbury				
D720,249 S	12/2014	Park et al.				
D724,469 S	3/2015	Akana et al.				
D724,556 S	3/2015	Choi et al.				
D727,197 S	4/2015	Akana et al.				
D727,198 S	4/2015	Akana et al.				
D727,199 S	4/2015	Akana et al.				
D728,624 S	5/2015	Akana et al.				
D729,237 S	5/2015	Fagnot				
D729,654 S	5/2015	Nuovo et al.				
D729,670 S	5/2015	Nuovo et al.				
D731,346 S	6/2015	Akana et al.				
D732,416 S	6/2015	Akana et al.				
D737,156 S	8/2015	Akana et al.				
D737,157 S	8/2015	Akana et al.				
D737,158 S	8/2015	Akana et al.				
D737,159 S	8/2015	Akana et al.				
D739,768 S	9/2015	Hanshew et al.				
D739,780 S	9/2015	Akana et al.				
D740,693 S	10/2015	Carmichael				
D741,726 S	10/2015	Akana et al.				
D744,356 S	12/2015	Akana et al.				
D745,421 S	12/2015	Akana et al.				
D745,515 S	12/2015	Solomon et al.				
D746,707 S	1/2016	Akana et al.				
D748,008 S	1/2016	Akana et al.				
D748,009 S	1/2016	Akana et al.				
D748,010 S	1/2016	Akana et al.				
D748,527 S	2/2016	Akana et al.				
D749,009 S	2/2016	Akana et al.				
D749,460 S	2/2016	Akana et al.				

FOREIGN PATENT DOCUMENTS

DE	19513647	A1	10/1995
DE	10229050	C1	6/2003
EM	001359301-0002		6/2013
EP	1098231	A1	5/2001
EP	001109706-0025		5/2009
EP	2636328	A1	9/2013
GB	618917	A	3/1949
GB	1056574		8/1989
GB	2047767		9/1995
GB	2049316		12/1995
GB	2082277		6/1999
HK	0501949.8		12/2005
HK	1001605.7		12/2010
JP	D1126907		11/2001
JP	D1337795		8/2008
JP	D1423962		9/2011
JP	D1433115		2/2012
JP	D1448029		8/2012
JP	D1462747		2/2013
WO	WO-DM/012262-001		1/1989
WO	WO-DM/049450-002		12/1999
WO	WO-DM/066491-004		3/2005
WO	WO-DM072215		9/2009
WO	WO-DM/077452-004		6/2011
WO	WO-DM/079044-003		9/2012

WO WO-2013182397 A1 12/2013
 WO WO-2014135709 A2 9/2014

OTHER PUBLICATIONS

Alvarez, Edgar, “Basis Peak to get its smartwatch-like features in December,” *engadget.com*, <<http://www.engadget.com/2014/11/20/basis-peak-new-features/>>, dated Nov. 20, 2014, accessed Dec. 15, 2014.

Cool Material, “Braun Square Digital Watch,” <<http://web.archive.org/web/20111125033014/http://coolmaterial.com/style/braun-square-digital-watch/>>, dated Nov. 25, 2011, accessed Dec. 18, 2014.

Emily, “Nixon—The Newton Digital,” <<http://www.freshnessmag.com/2009/09/08/nixon-the-newton-digital/>>, *freshnessmag.com*, dated Sep. 8, 2009, accessed Oct. 9, 2014.

etsy.com, “1 Set Silver End Cap Clasp—Findings Large Toggle Clasp End Caps Buckle Connector with Five Inside Loops for Jewelry Making 26mm,” <<http://www.etsy.com/listing/101269004/1-set-silver-end-cap-clasp-findings?ref=market>>, Listed on Aug. 29, 2014, accessed Oct. 9, 2014.

“Field Ops Watch Band Kit” <<http://www.511tactical.com/field-ops-watch-band-kit.html>>, accessed Nov. 25, 2014.

Fitbit, “Fitbit Surge™ Fitness Super Watch” <<https://www.fitbit.com/surge>>, accessed Dec. 15, 2014.

Free Silicone Band, Inteny Apple Watch Band Series 1 Series 2 Colorful Pattern Woven Nylon Band Replacement Wrist Bracelet Strap Buckle for iWatch, 38mm, Toasted Coffee & Caramel, posted unknown, [retrieved Oct. 27, 2016]. Retrieved from Internet, <URL: <https://www.amazon.com/dp/B01LXBIO6M?psc=1>>.

geekbuying.com, “Makibes unisex red led digital wrist watch with square case silicone watchband—white,” <<http://www.geekbuying.com/item/Unisex-Red-LED-Digital-Wrist-Watch-with-Square-Case-Silicone-Watchband---White-326443.html>>, accessed Oct. 9, 2014.

Google’s upcoming smartwatch is an Android project not X Lab, posted Mar. 22, 2013, [retrieved Jul. 22, 2016]. Retrieved from Internet, <URL: <http://www.talkandroid.com/155456-google-upcoming-smartwatch-is-an-android-project-not-x-lab/>>.

Hiemstra, Graham, “Worn & Wound Model 1 Horween Watch Strap,” <<http://www.coolhunting.com/style/worn-wound-model-1-horween-watch-strap>>, dated Aug. 27, 2013, accessed Nov. 25, 2014.

Hilbourne, Jason, “Wide Body: straps for Pebble,” <<https://www.kickstarter.com/projects/1171859847/wide-body-straps-for-pebble>>, Listed Apr. 2, 2013, accessed Nov. 25, 2014.

Hodinkee.com, “Apple iPod Nano Now Available With Mickey Mouse Dial, Also Cheesy, Mechanically Inaccurate Open-Worked Dial,” <<http://web.archive.org/web/20111006043916/http://www.hodinkee.com/blog/2011/10/5/apple-ipod-nano-now-available-with-mickey-mouse-dial-also-ch.html>>, dated Oct. 6, 2011, accessed Dec. 18, 2014.

Homego, “M6 Silver Smart Watch Cell Phone 1.54 inch Bluetooth 3.0 Dialer Outdoor Sports Pedometer,” *amazon.com*, <<http://www.amazon.com/Silver-Bluetooth-Dialer-Outdoor-Pedometer/dp/B00MQTBGK6>>, accessed Dec. 15, 2014.

Ikepod, “Original Ikepod Watch With GMT—Marc Newson Design,” *Watchbox.be*, <<http://www.watchbox.be/prod/Others-Watches/Marc%20Newson%20Design/item7165.htm#.VJLm2fAo5D8>>, accessed Dec. 17, 2014.

<p style="text-align: left;">“Innovative Components Knurled Knob K4 Master,” posted at *knobsources.com/catalog_prints.html*, Posting date unknown, Drawing dated Nov. 27, 2007. Available from Internet: <<http://www.knobsources.com/pdf/k4-masterrev-0.pdf>>. Retrieved Oct. 10, 2017.

LG Life’s Good, “LG G Watch (W100),” <<http://www.lg.com/us/smart-watches/lg-W100-g-watch>>, accessed Dec. 18, 2014.

“Louis Moinet Geograph,” posted at *worldwatchreview.com*, dated Mar. 14, 2011. Available from Internet: <<http://www.worldwatchreview.com/2011/03/14/louis-moinet-geograph-limited-edition/>>. Retrieved Oct. 10, 2017.

Metawatch, “Frame—Black (MW3005),” <<http://meta.watch/collections/smartwatch-all/products/frame-ss-black-leather>>, accessed Dec. 15, 2014.

Oh Boy! The Mickey Mouse Apple Watch is no heart-throb, posted Nov. 27, 2014, Retrieved from Internet, (URL: https://www.theregister.co.uk/2014/11/27/apple_watch_mickey_mouse_tech/), accessed on Oct. 26, 2017, 1 page.

Omate, “Omate TrueSmart: Water-resistant standalone Smartwatch 2.0,” <<http://www.kickstarter.com/projects/omate/omate-truesmart-water-resistant-standalone-smartwa>>, dated Aug. 21, 2013, accessed Oct. 8, 2014.

Omate Smartwatch Launches on Kickstarter Offering a Wealth of Features, posted Aug. 22, 2013, [retrieved Jul. 22, 2016]. Retrieved from Internet, URL: <http://www.geeky-gadgets.com/omate-smartwatch-launches-on-kickstarter-offering-a-wealth-offeatures-video-22-08-2013/>.

[Online] http://a.abcnews.com/images/Business/HT_gold_apple_iwatch_jef_140909_4x3_992.jpg, Retrieved on Feb. 4, 2015, 1 page.

Pebble, “Pebble Smartwatch,” *getpebble.com*, <<https://getpebble.com/checkout>>, accessed Dec. 15, 2014.

Samsung, “Samsung Gear™ 2 Charcoal Black SM-R3800VSAXAR,” <<http://www.samsung.com/us/mobile/wearable-tech/SM-R3800VSAXAR>>, accessed Dec. 15, 2014.

Samsung, “Samsung Gear S™, (Sprint), Black SM-R750PZKASPR,” <<http://www.samsung.com/us/mobile/wearable-tech/SM-R750PZKASPR>>, accessed Dec. 15, 2014.

Samsung, “Galaxy Gear™ Live, Black SM-R3820ZKAXAR,” <<http://www.samsung.com/us/mobile/wearable-tech/SM-R3820ZKAXAR>>, accessed Dec. 15, 2014.

Sony, “SmartWatch,” <<http://www.sonymobile.com/us/products/accessories/smartwatch/>>, accessed Dec. 15, 2014.

Sony, “SmartWatch 3 SWR50,” <<http://www.sonymobile.com/us/products/smartwear/smartwatch-3-swr50/>>, accessed Dec. 15, 2014.

Stables, James, “Clevercare smartwatch aims to help Alzheimer’s suffers and carers: Revamped Sony SmartWatch 2 designed for users that need care,” *Wearable News*, <<http://www.wearable.com/wearable-tech/clevercare-smartwatch-aims-to-help-alzheimers-suffers-and-carers-585>>, dated Dec. 15, 2014.

Team Luxe, “Collector’s Edition: Hermes Carre H Watch,” *Luxpresso*, <<http://luxpresso.com/news-couture/collectors-edition-hermes-carre-h-watch/2814>>, dated Jan. 10, 2011, accessed Dec. 18, 2014.

Ted Baker, “Ted Baker Men’s TE1054 Time Flies Contemporary Square Digital Case Watch,” <<http://www.amazon.com/Ted-Baker-TE1054-Contemporary-Digital/dp/B0045CRTYO%3FSubscriptionId%3DAKIAJ3U4YRIBWCGGKZ2A%26tag%3Dfrases365-20%26linkCode%3Dsp1%26camp%3D2025%26creative%3D165953%26creativeASIN%3DB0045CRTYO>>, accessed Oct. 9, 2014.

The Real James Bond Watchstrap Comes to Life, posted Dec. 17, 2011, Retrieved from Internet, (URL: <http://http://www.rolexmagazine.com/2009/07/real-james-bond-watchstrap-comes-to.html>), accessed on Oct. 26, 2017, 2 pages.

“Timex Men’s Q7B808 Ironman Triathlon 30-Lap Resin 16mm Replacement Watchband” <http://www.amazon.com/Timex-Ironman-Triathlon-Replacement-Watchband/dp/B003OPZ5D0/ref=sr_1_1?s=apparel&ie=UTF8&qid=1416701895&sr=1-1&keywords=Timex+Men%27s+Q7B808+Ironman+Triathlon+30-Lap+Resin+16mm+Replacement+Watchband>, accessed Nov. 25, 2014.

Top Brand Luxury Style Daniel Wellington Watches DW Watch for Men Nylon Strap Military Quartz Wristwatch Clock Reloj hombre 40mm, posted unknown, [retrieved Oct. 27, 2016]. Retrieved from Internet, URL: <http://www.dhgate.com/product/topbrand-luxury-style-daniel-wellington/239253633.html>.

Top» Catalog» for 44mm Panerai» 24mm NATO» 24B24BZUOON3F18, posted May 3, 2016, [retrieved Oct. 26, 2017]. Retrieved from Internet, (URL: <https://www.strapcode.com/store/miltat-24mm-rings-zulu-water-repellent-nylon-military-green-brushed-p-4558.html#.WfKRtv7rvbo>), accessed at Oct. 26, 2017, 1 page.

Velazco, Chris, “ASUS ZenWatch review: subtle and stylish, with a few shortcomings,” *Engadget.com*, <<http://www.engadget.com/2014/12/11/asus-zenwatch-review/>>, dated Dec. 11, 2014, accessed Dec. 15, 2014.

WatchCat Online Shopping Mall, “PJS Seiko,” <http://m.watchcat.co.kr/board/product/read.html?board_no=4&no=27504>, dated Oct. 26, 2012, accessed Oct. 8, 2015.

WatchCat Online Shopping Mall, “PVD Zulu style Military Nylon band/strap,” <http://www.watchcat.kr/product/detail.html?product_no=5162&cate_no=642&display_group=1>, dated 2010, accessed Oct. 8, 2015.

Watches Infoniac.com, “Hermes Carre H Watch—Extremely Contemporary Design,” <<http://watches.infoniac.com/carre-h-watch-hermes.html>>, dated Aug. 13, 2010, accessed Dec. 18, 2014.

Watchismo, “Braun BN0042 Black Date Leather,” <<http://web.archive.org/web/20130815073830/http://www.watchismo.com/braun-bn0042bkbk.aspx>>, dated Aug. 15, 2013, accessed Dec. 18, 2014.

Omate, “The TrueSmart™ is the world’s first standalone smartwatch 2.0 running on top of Android and OUI 2.0,” <<http://www.omate.com/product.html>>, accessed Dec. 15, 2014.

* cited by examiner

Primary Examiner — Barbara Fox

Assistant Examiner — Kristin E Reed

(74) *Attorney, Agent, or Firm* — Sterne, Kessler, Goldstein & Fox P.L.L.C.

(57)

CLAIM

The ornamental design for a wearable device, as shown and described.

DESCRIPTION

FIG. 1 is a front perspective view of a wearable device showing the claimed design;

FIG. 2 is a front view thereof;

FIG. 3 is a rear view thereof;

FIG. 4 is a right side view thereof;

FIG. 5 is a left side view thereof;

FIG. 6 is a top view thereof; and,

FIG. 7 is a bottom view thereof.

1 Claim, 5 Drawing Sheets

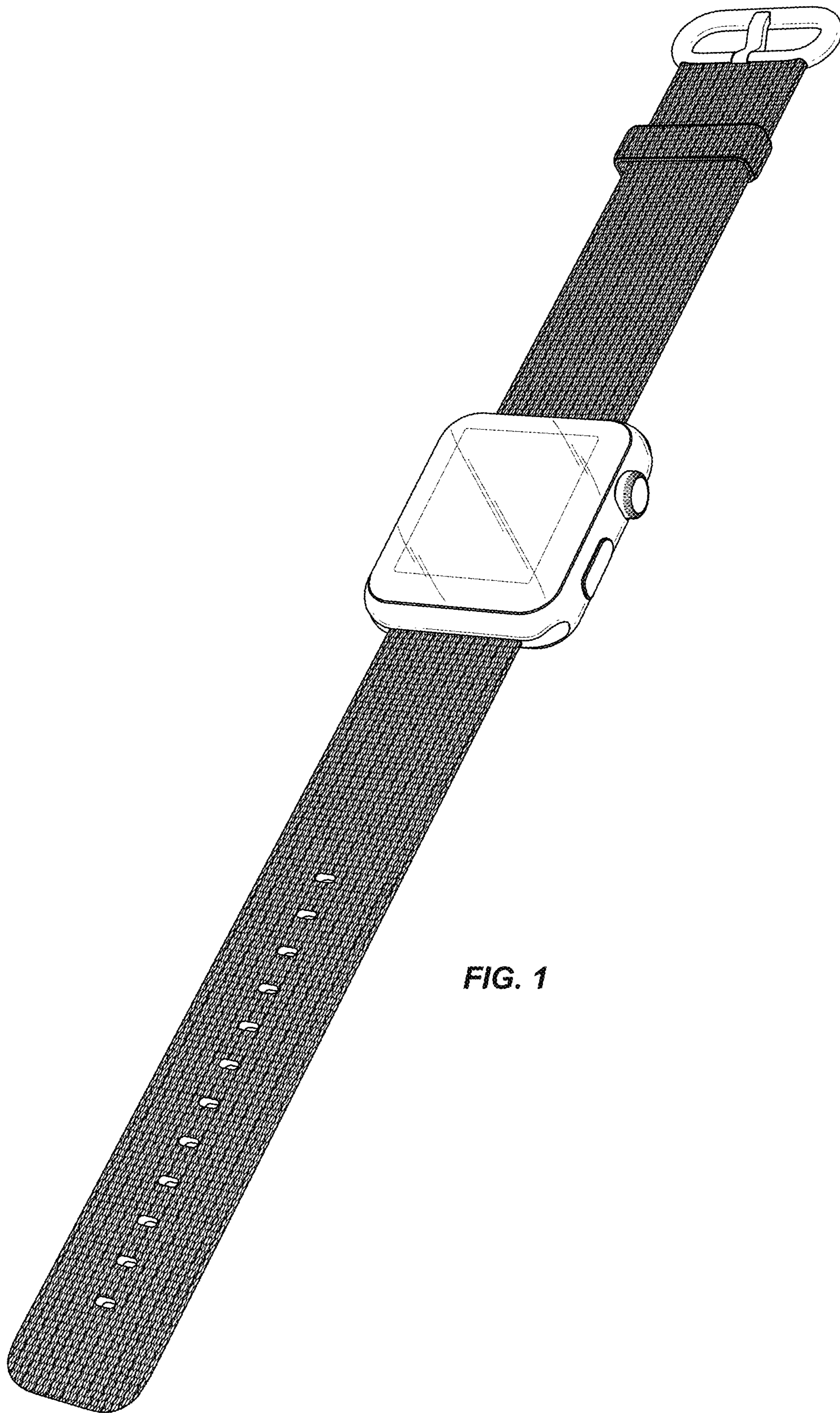


FIG. 1

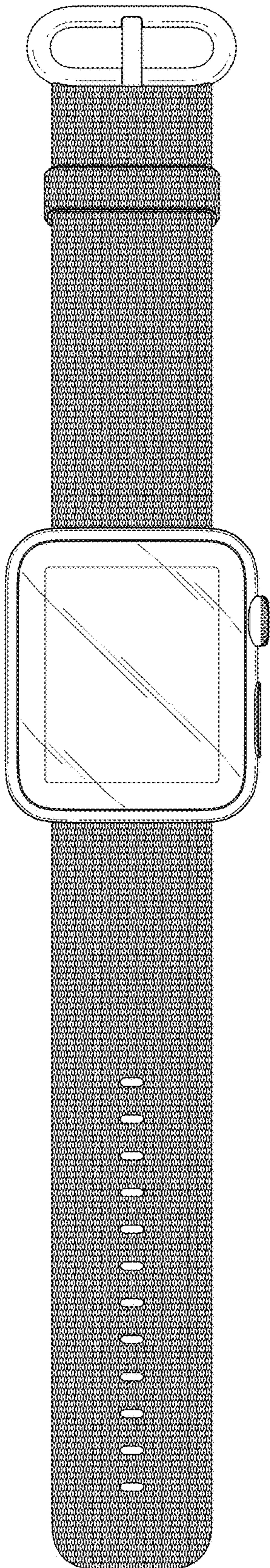


FIG. 2

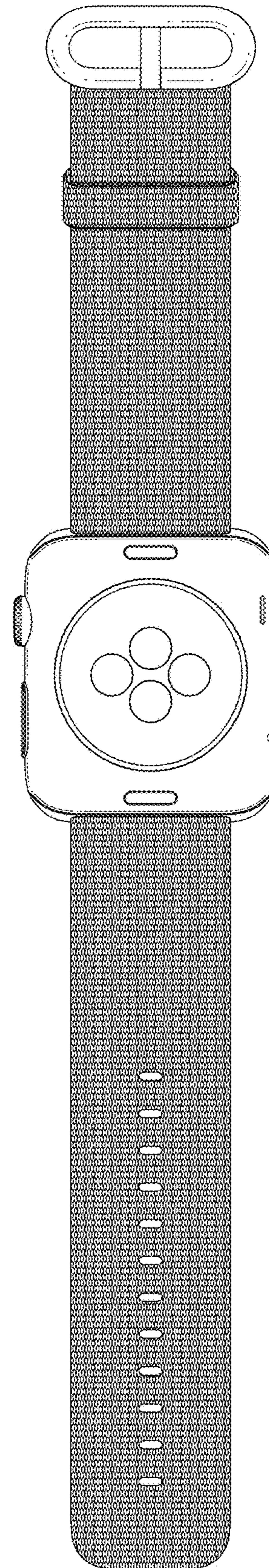


FIG. 3

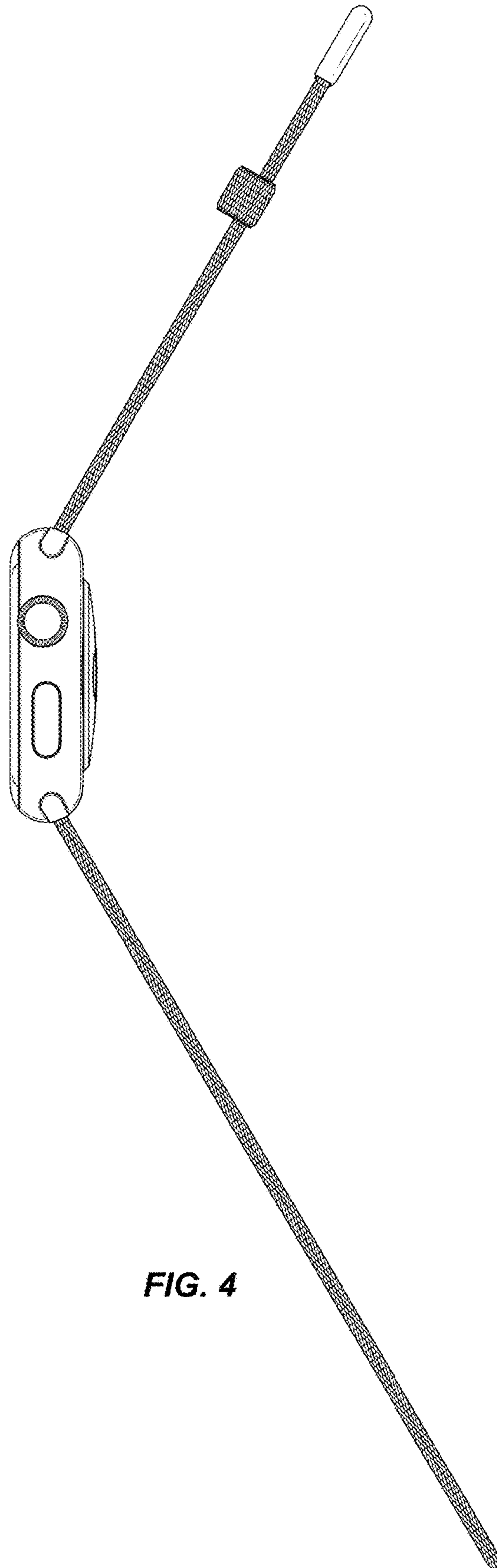


FIG. 4

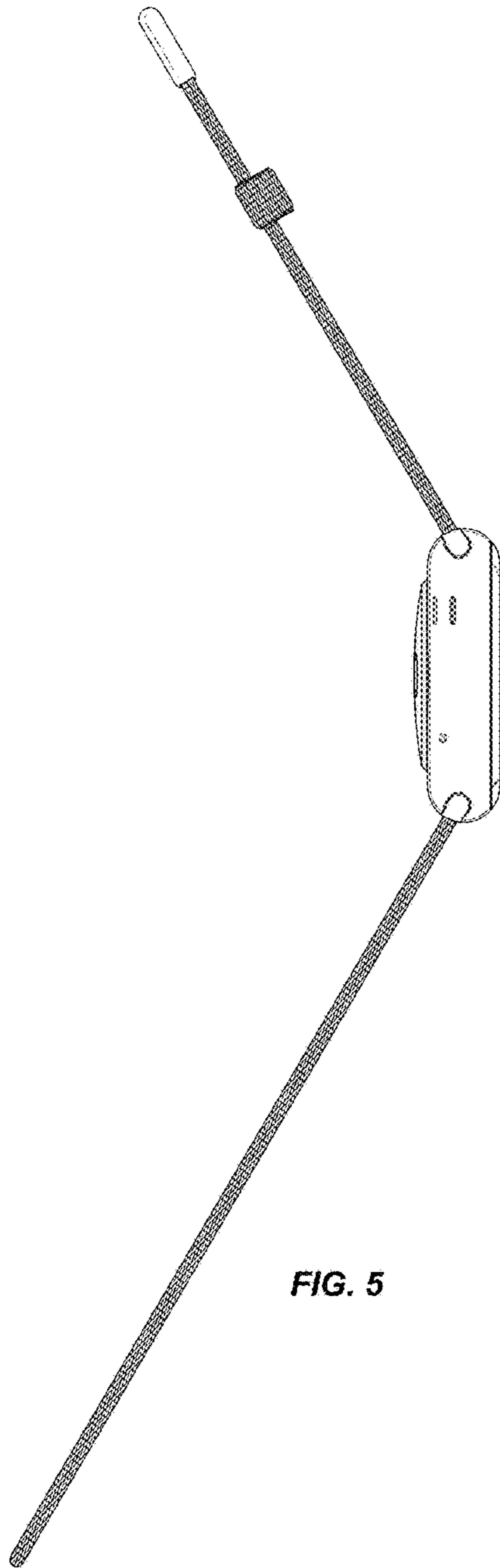


FIG. 5

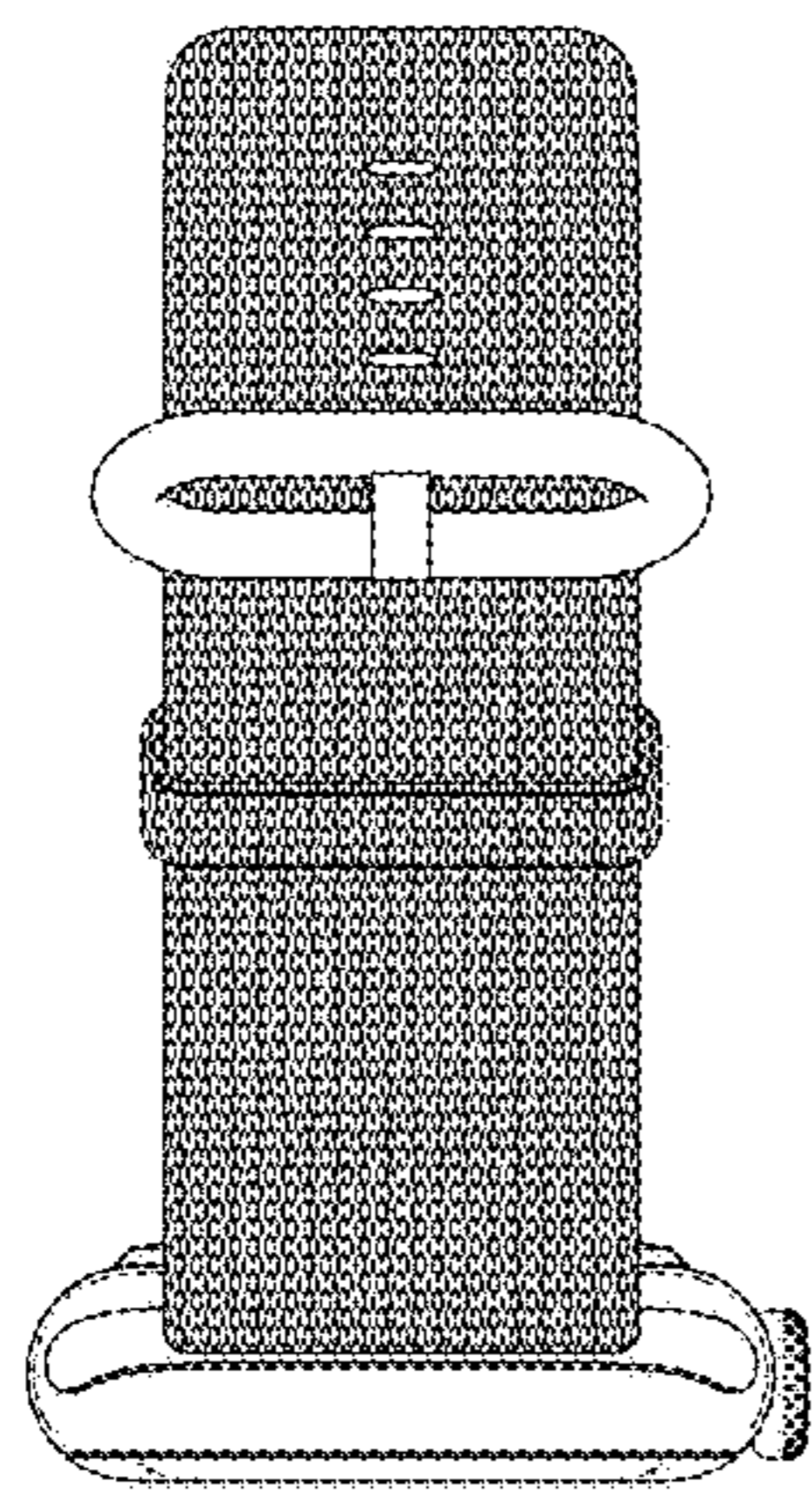


FIG. 6

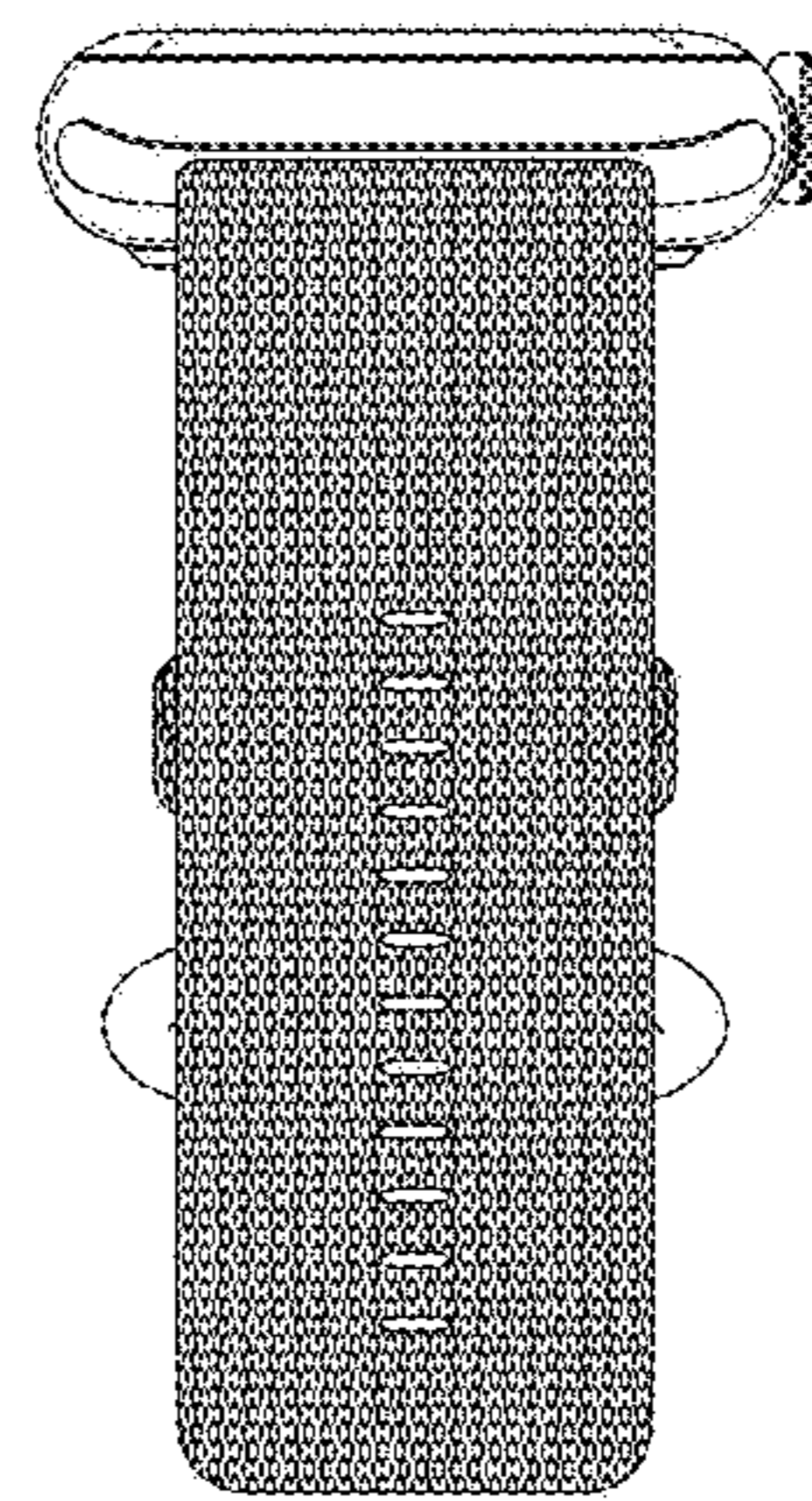


FIG. 7