



US00D842854S

(12) **United States Design Patent**
Lee et al.

(10) **Patent No.:** **US D842,854 S**
(45) **Date of Patent:** **** Mar. 12, 2019**

- (54) **WRISTBAND UNIT**
- (71) Applicant: **Medipines Corporation**, Newport Beach, CA (US)
- (72) Inventors: **Steve Lee**, Newport Beach, CA (US); **Marcus Kuchler**, München (DE)
- (73) Assignee: **MediPines Corporation**, Anaheim Hills, CA (US)
- (**) Term: **15 Years**
- (21) Appl. No.: **29/571,625**
- (22) Filed: **Jul. 20, 2016**
- (51) **LOC (11) Cl.** **14-02**
- (52) **U.S. Cl.**
USPC **D14/344**
- (58) **Field of Classification Search**
USPC D14/344; D10/30-39, 70, 98; D11/3, D11/93-94; D24/167, 169, 186-187; 361/679.03; 379/433.1
CPC .. A41D 1/002; G06F 1/04; G06F 1/08; G06F 1/10; G06F 1/14; G06F 1/1626; G06F 1/1628; G06F 1/163; G06F 1/1635; G06F 1/3203; G06Q 20/10; G06Q 20/12; G06Q 20/108; G06Q 20/145; H04B 1/3833; H04B 1/385; H04B 1/3888; H04M 1/02; H04M 1/03; H04M 1/04; H04M 1/05; H04M 1/667; H04M 1/6058; Y02B 60/1217
See application file for complete search history.

(56) **References Cited**

U.S. PATENT DOCUMENTS

- D480,396 S * 10/2003 Buckner D14/341
- D504,130 S * 4/2005 Denhez D14/341
- D577,721 S * 9/2008 O'Neil D14/358
- D625,721 S * 10/2010 Ferber D14/358
- D669,800 S * 10/2012 Takayama D10/70
- 8,370,549 B2 * 2/2013 Burton A63B 24/00 703/1

- 8,438,999 B2 * 5/2013 Nardi A01K 27/009 119/718
 - D718,866 S * 12/2014 Law D24/167
 - D740,150 S * 10/2015 Howsam D11/3
- (Continued)

OTHER PUBLICATIONS

TomTom Bluetooth Heart Rate Monitor, posted Mar. 21, 2014, [retrieved Mar. 2, 2018]. Retrieved from Internet, <URL: <https://www.amazon.com/TomTom-Bluetooth-Heart-Rate-Monitor/dp/B00ENWESCM>>.*

(Continued)

Primary Examiner — Barbara Fox

Assistant Examiner — Kristin E Reed

(74) *Attorney, Agent, or Firm* — Farjami & Farjami LLP

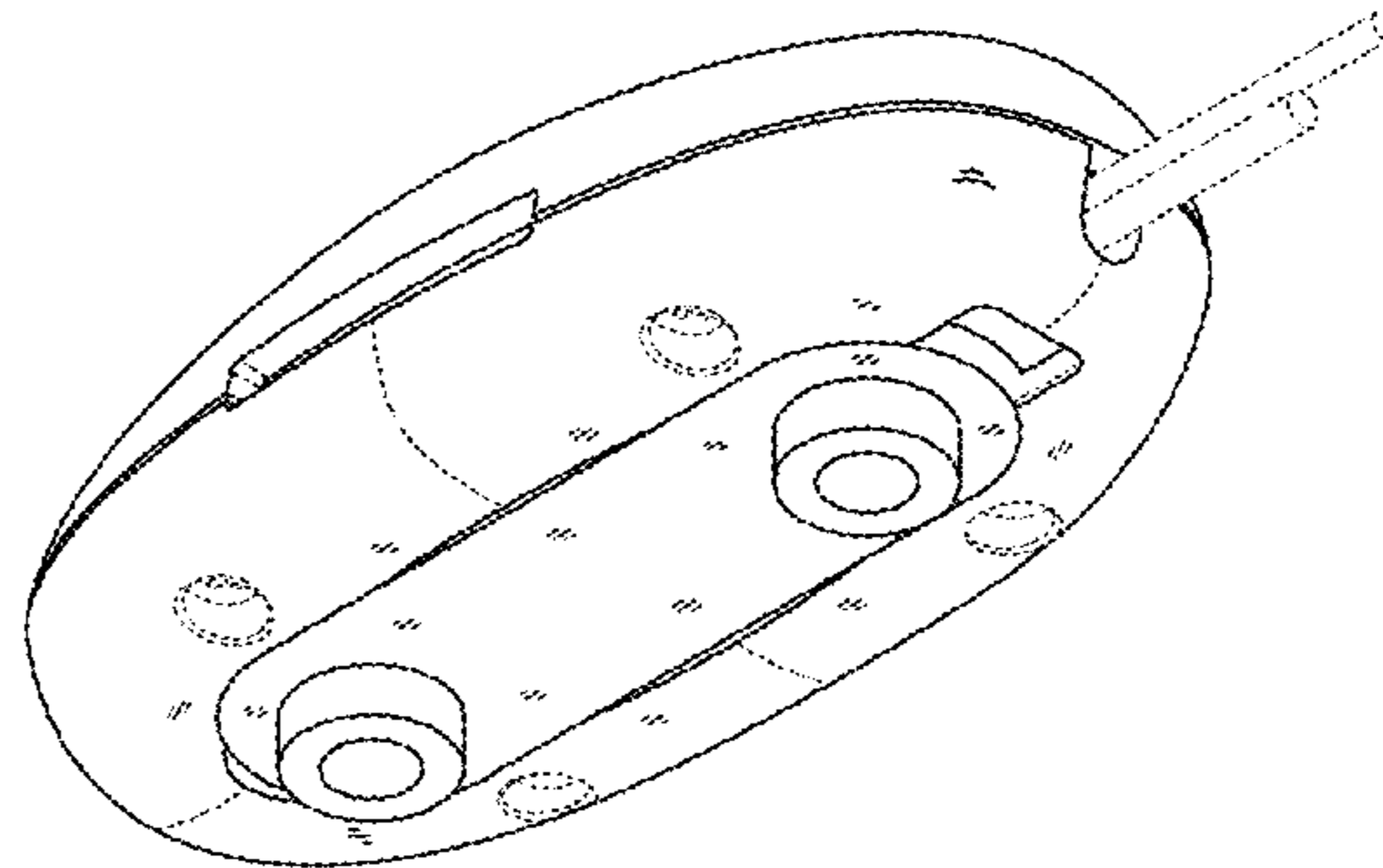
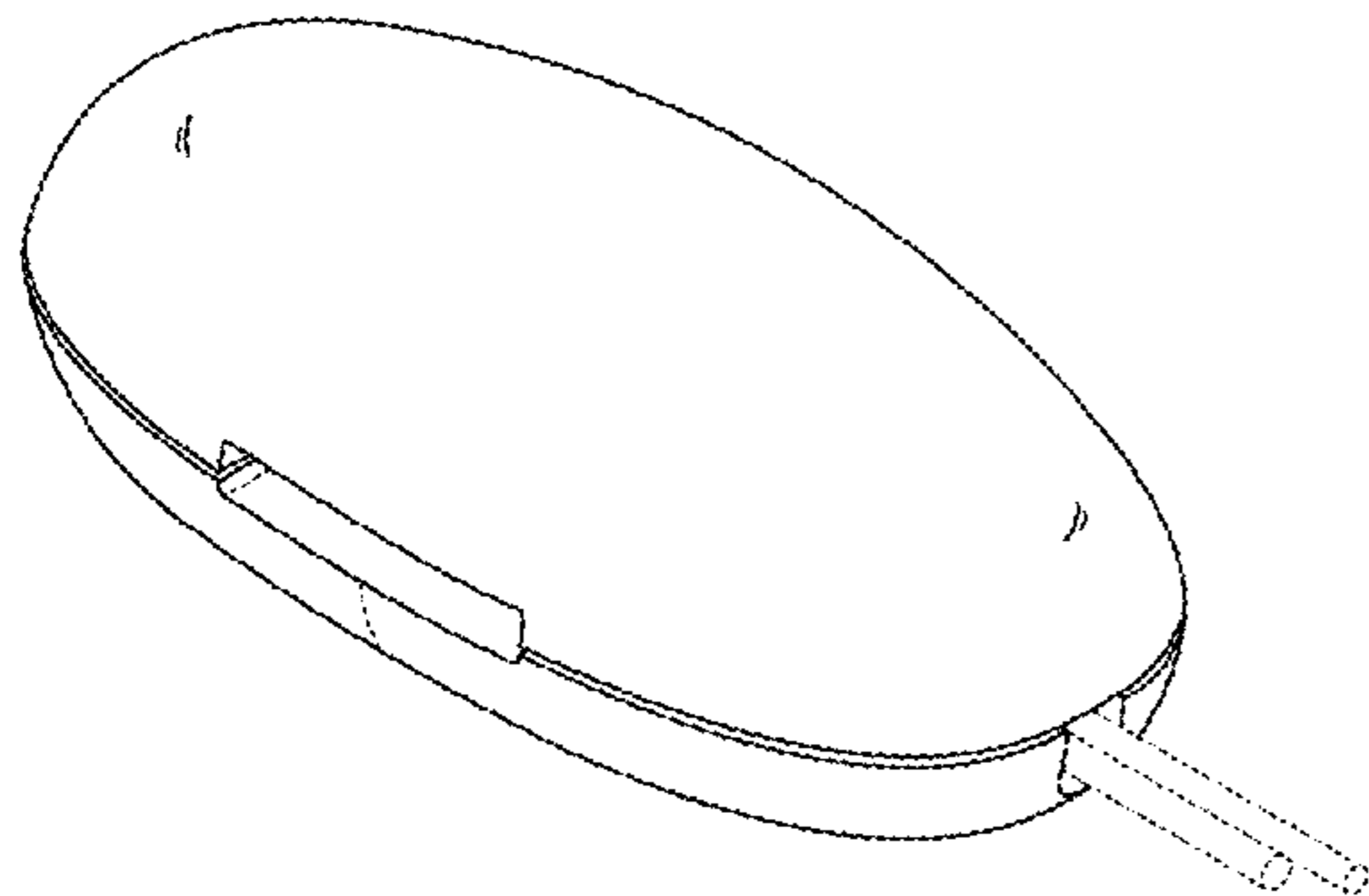
(57) **CLAIM**

The ornamental design for a wristband unit, as shown and described.

DESCRIPTION

FIG. 1 is a rear top perspective view of a wristband unit, according to the design;
 FIG. 2 is a rear bottom perspective view of the wristband unit, according to the design;
 FIG. 3 is a rear elevational view of a wristband unit, according to the design;
 FIG. 4 is a left side elevational view of a wristband unit, according to the design;
 FIG. 5 is a right side elevational view of a wristband unit, according to the design;
 FIG. 6 is a bottom plan view of a wristband unit, according to the design; and,
 FIG. 7 is a top plan view of a wristband unit, according to the design.
 The broken lines shown in the drawings depict portions of the wristband unit that form no part of the claimed design.

1 Claim, 7 Drawing Sheets



(56)

References Cited

U.S. PATENT DOCUMENTS

D744,110	S	*	11/2015	Kubo	D24/186
D757,275	S	*	5/2016	Lee	D24/187
D765,656	S	*	9/2016	Forakis	D10/38
D770,321	S	*	11/2016	Murphy	D11/3
D776,820	S	*	1/2017	Rouillac	D24/167
D777,331	S	*	1/2017	Jayalath	D14/344
D794,806	S	*	8/2017	Kranz	D24/186
D806,706	S	*	1/2018	Kim	D14/344

OTHER PUBLICATIONS

Zephyr HxM heart rate monitor review, posted Sep. 16, 2014, [retrieved Mar. 2, 2018]. Retrieved from Internet, <URL: <http://wearable.co.uk/reviews/zephyr-hxm-heart-rate-monitor-review/>>.*

How to choose a heart-rate monitor, posted May 23, 2014, [retrieved Mar. 2, 2018]. Retrieved from Internet, <URL: <https://www.bikeradar.com/us/gear/article/how-to-choose-a-heart-rate-monitor-40828/>>.*

Scosche Rhythm+, posted May 6, 2014, [retrieved Mar. 2, 2018]. Retrieved from Internet, <URL: <http://au.pcmag.com/scosche-rhythm/11294/review/scosche-rhythm>>.*

* cited by examiner

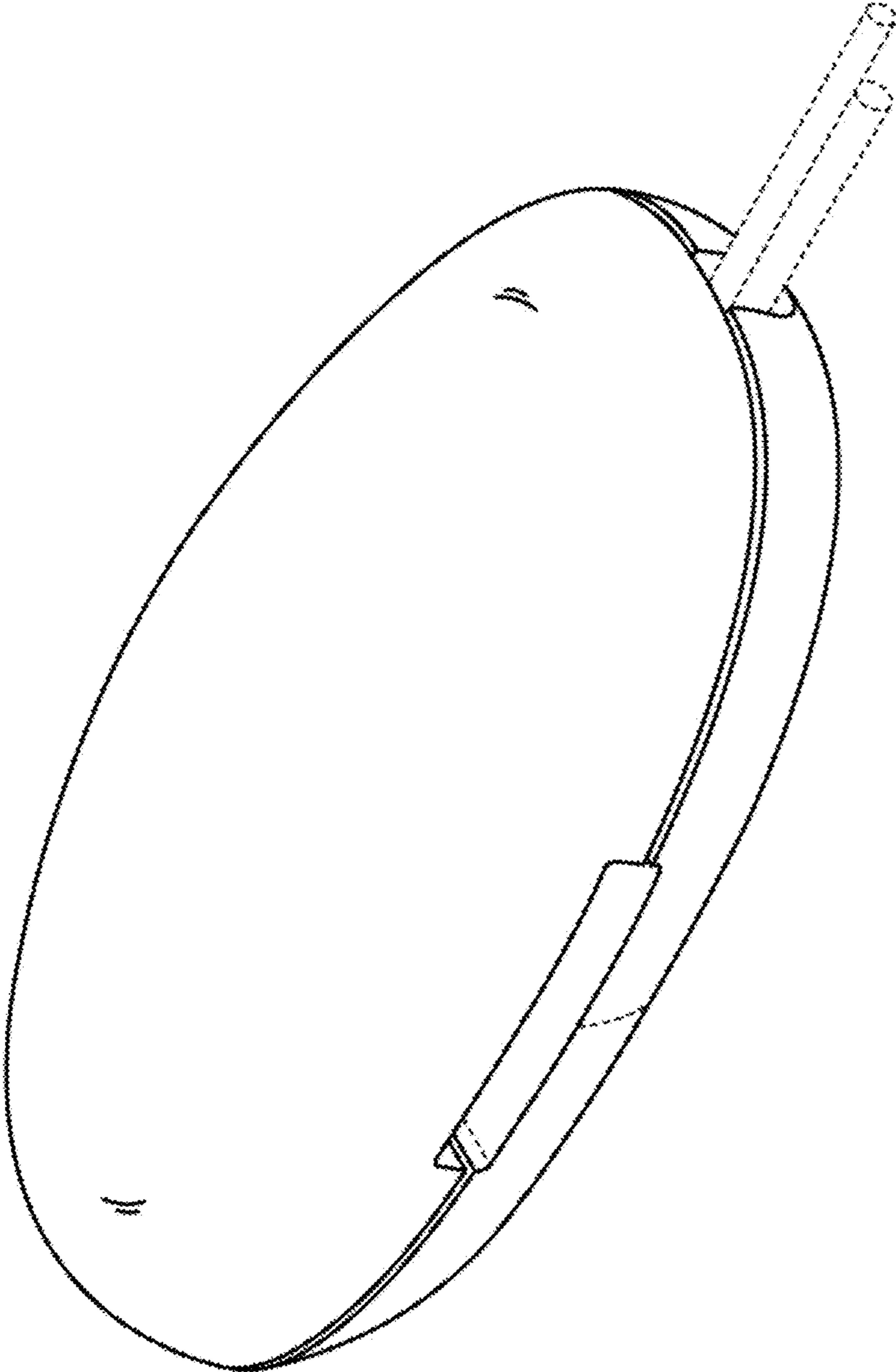


FIG. 1

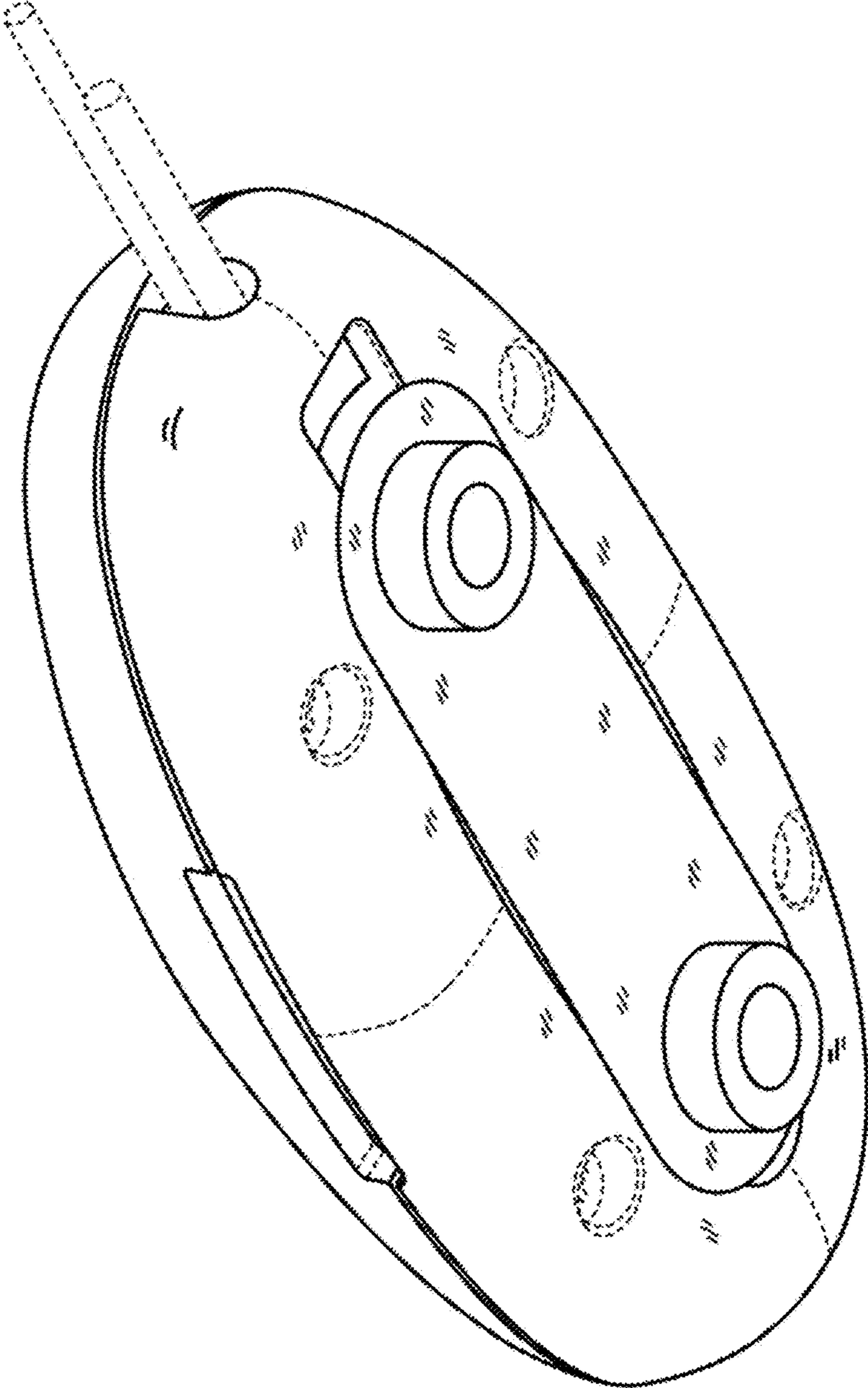


FIG. 2

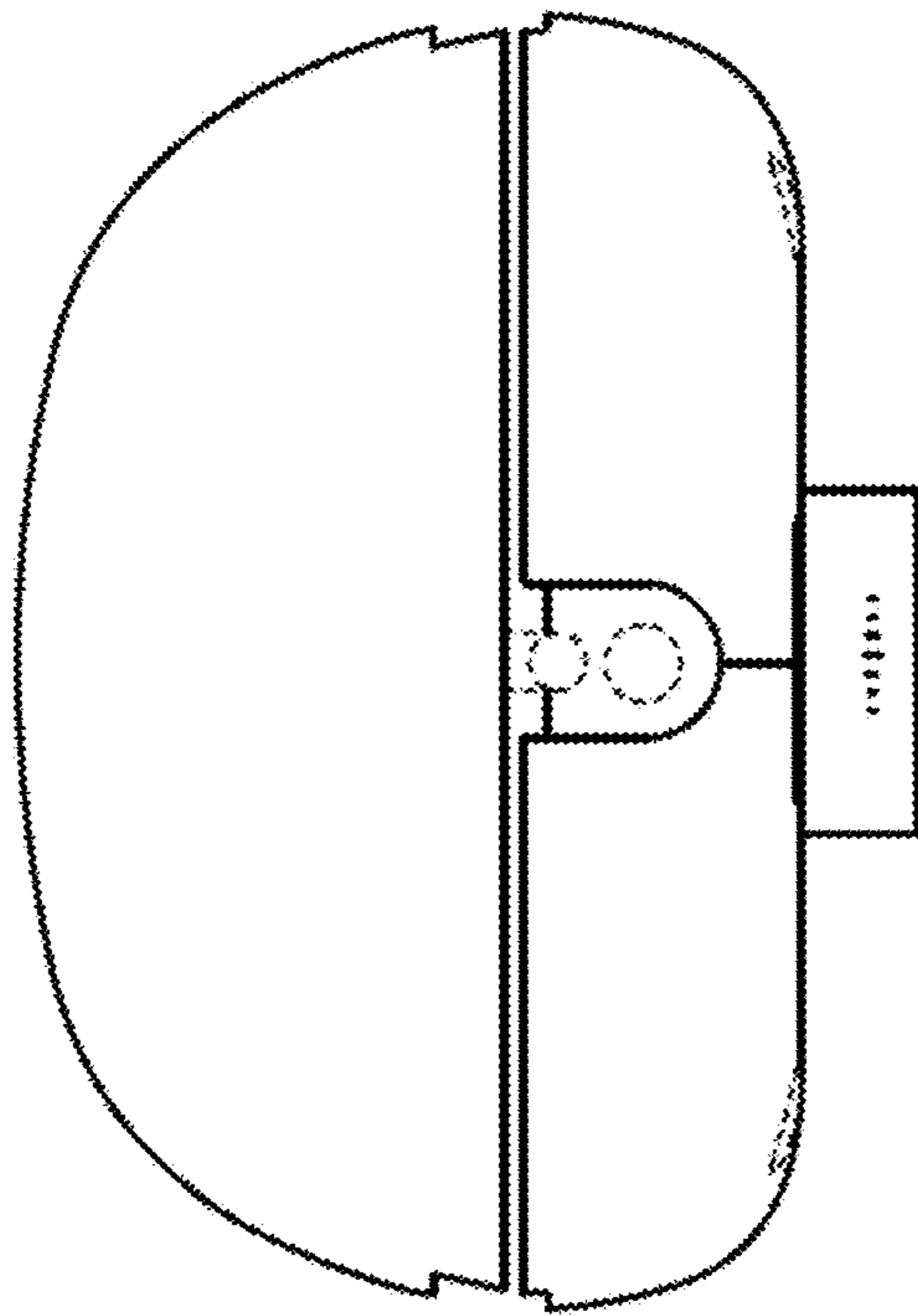


FIG. 3

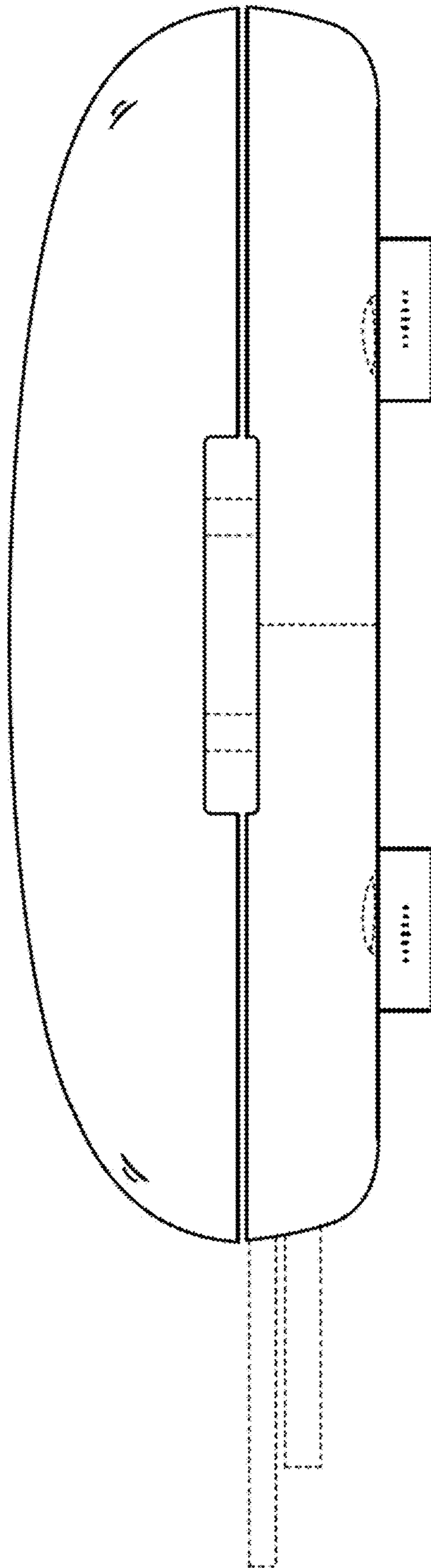


FIG. 4

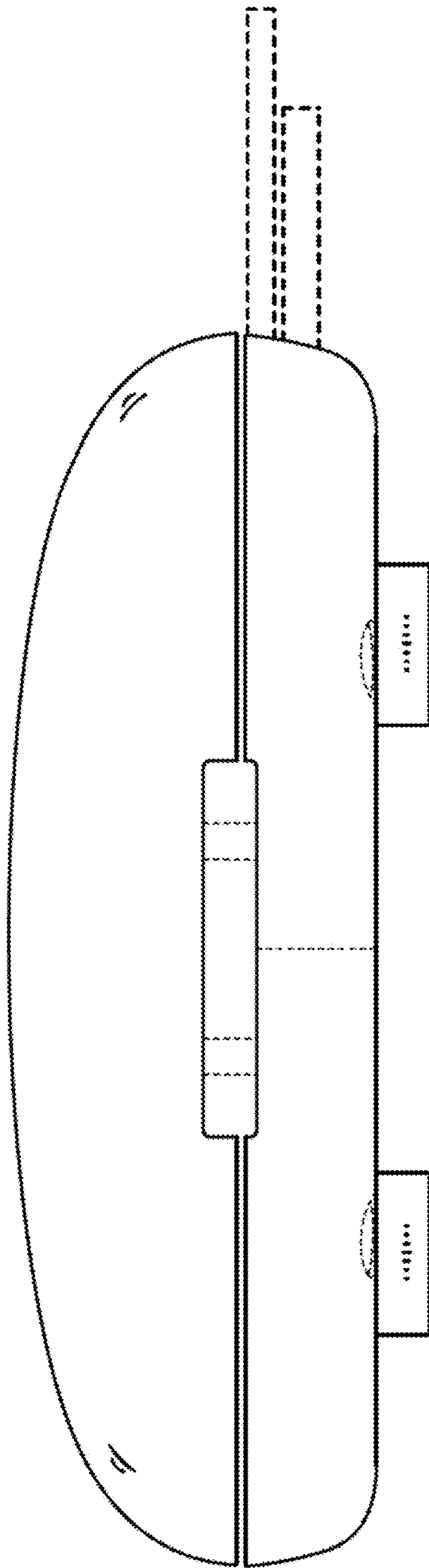


FIG. 5

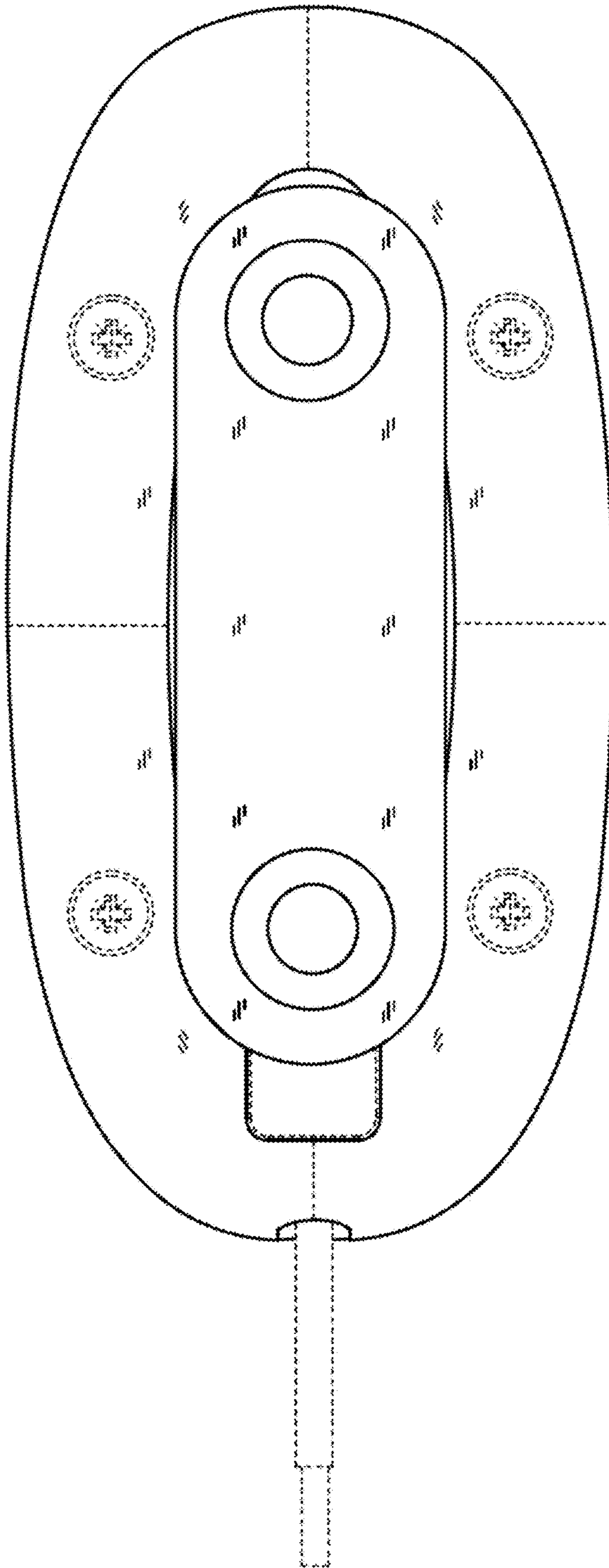


FIG. 6

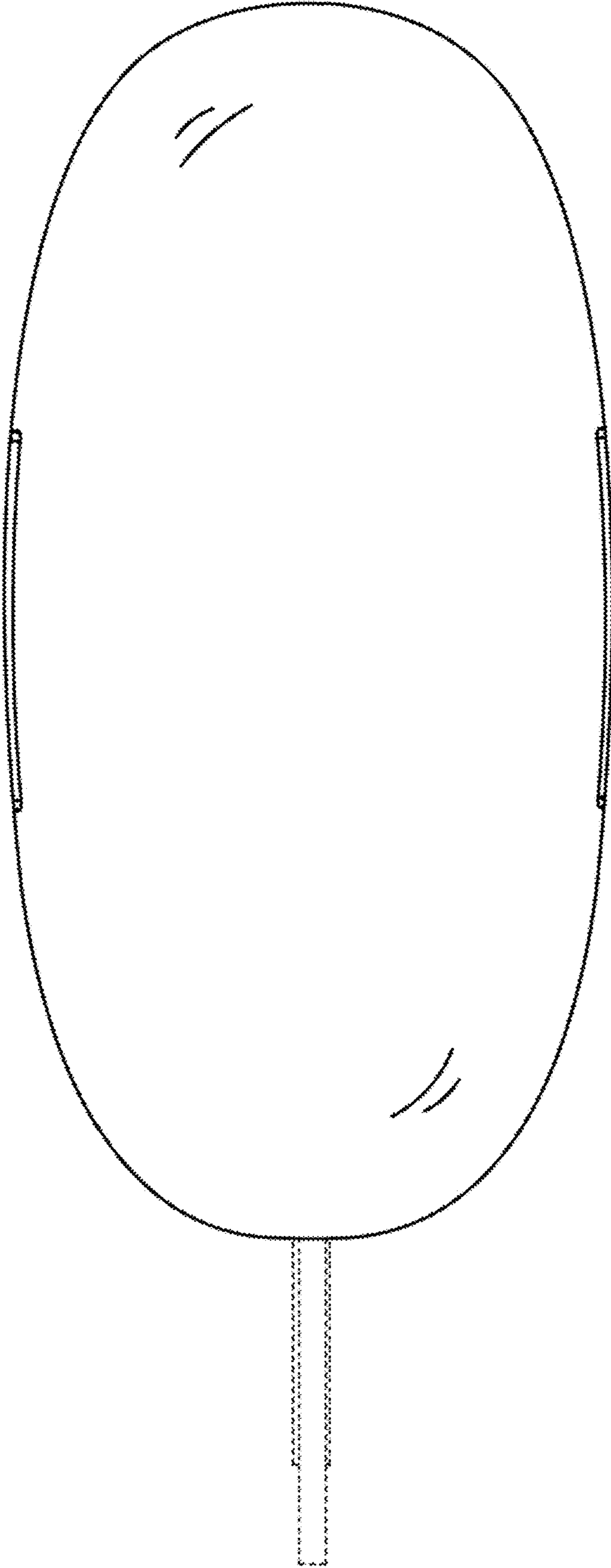


FIG. 7