

US00D842851S

(12) **United States Design Patent**
Leitman

(10) **Patent No.:** **US D842,851 S**
(45) **Date of Patent:** **** Mar. 12, 2019**

(54) **STAND FOR MOBILE DEVICE**

(71) Applicant: **Jeff Leitman**, Irvine, CA (US)

(72) Inventor: **Jeff Leitman**, Irvine, CA (US)

(73) Assignee: **Killer Concepts, Inc.**, Laguna Hills, CA (US)

(**) Term: **15 Years**

(21) Appl. No.: **29/622,820**

(22) Filed: **Oct. 19, 2017**

(51) **LOC (11) Cl.** **14-03**

(52) **U.S. Cl.**
USPC **D14/253**

(58) **Field of Classification Search**
USPC D14/251–253, 447, 451, 452, 440, 434,
D14/458, 432, 439, 457, 460, 238.1, 140,
(Continued)

(56) **References Cited**

U.S. PATENT DOCUMENTS

D639,816 S * 6/2011 Bau D14/447
D645,463 S * 9/2011 Kao D14/253
(Continued)

Primary Examiner — Janice Hallmark

(74) *Attorney, Agent, or Firm* — Bryan Fibel

(57) **CLAIM**

The ornamental design for a stand for a mobile device, as shown and described.

DESCRIPTION

FIG. 1 is a perspective view of a stand for a mobile device attached to a mobile device showing my new design according to a first embodiment.

FIG. 2 is a perspective view of my new design in a first configuration of the first embodiment.

FIG. 3 is a rear view of my new design in the first configuration of the first embodiment.

FIG. 4 is a front view of my new design in the first configuration of the first embodiment.

FIG. 5 is a left side view of my new design in the first configuration of the first embodiment.

FIG. 6 is a right side view of my new design in the first configuration of the first embodiment.

FIG. 7 is a top view of my new design in the first configuration of the first embodiment.

FIG. 8 is a bottom view of my new design in the first configuration of the first embodiment.

FIG. 9 is a perspective view of my new design in a second configuration of the first embodiment.

FIG. 10 is a rear view of my new design in the second configuration of the first embodiment.

FIG. 11 is a front view of my new design in the second configuration of the first embodiment.

FIG. 12 is a left side view of my new design in the second configuration of the first embodiment.

FIG. 13 is a right side view of my new design in the second configuration of the first embodiment.

FIG. 14 is a top view of my new design in the second configuration of the first embodiment.

FIG. 15 is a bottom view of my new design in the second configuration of the first embodiment.

FIG. 16 is a perspective view of a stand for a mobile device attached to a mobile device showing my new design according to a second embodiment.

FIG. 17 is a perspective view of my new design in a first configuration of the second embodiment.

FIG. 18 is a rear view of my new design in the first configuration of the second embodiment.

FIG. 19 is a front view of my new design in the first configuration of the second embodiment.

FIG. 20 is a left side view of my new design in the first configuration of the second embodiment.

FIG. 21 is a right side view of my new design in the first configuration of the second embodiment.

FIG. 22 is a top view of my new design in the first configuration of the second embodiment.

FIG. 23 is a bottom view of my new design in the first configuration of the second embodiment.

(Continued)

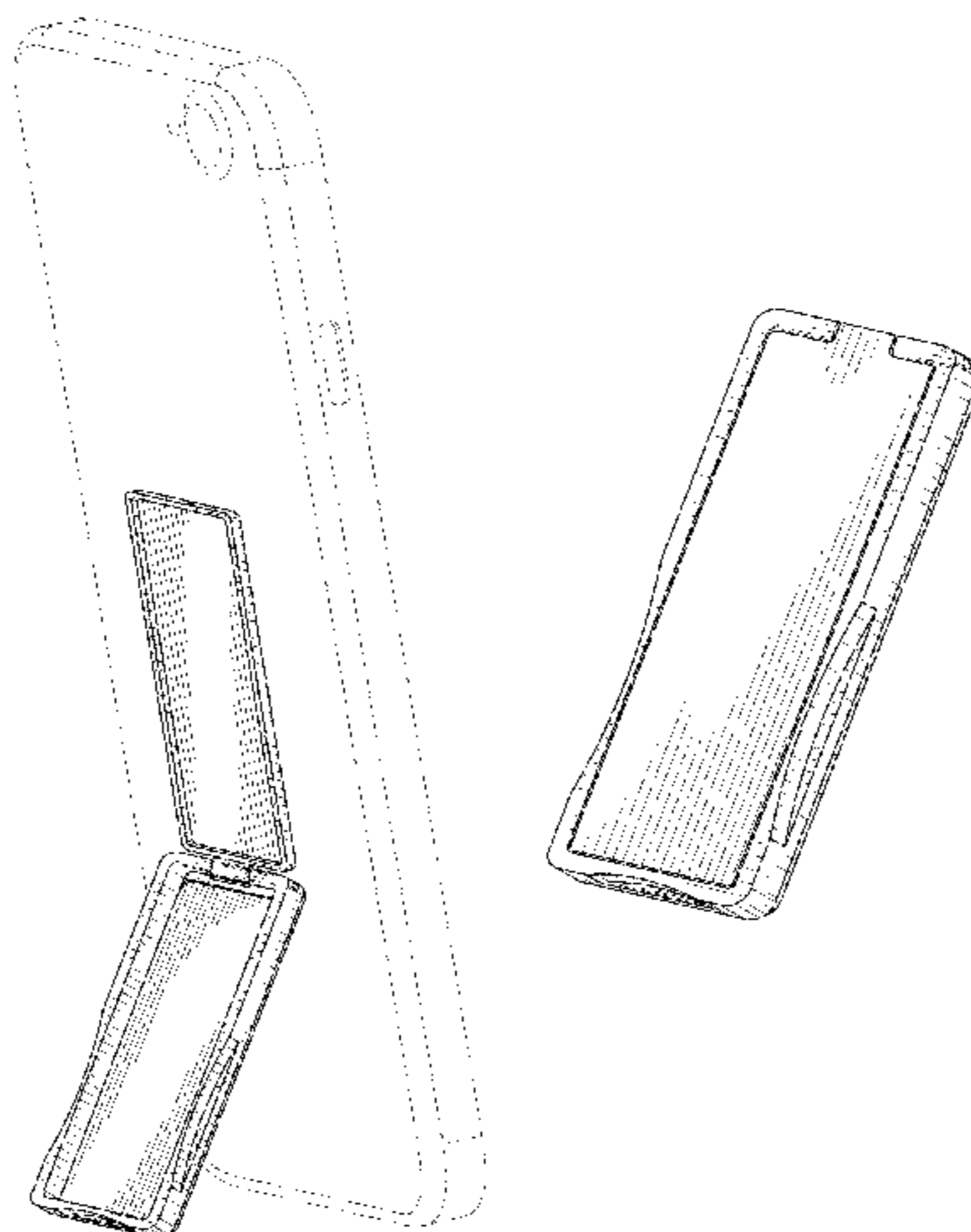


FIG. 24 is a perspective view of my new design in a second configuration of the second embodiment.

FIG. 25 is a rear view of my new design in the second configuration of the second embodiment.

FIG. 26 is a front view of my new design in the second configuration of the second embodiment.

FIG. 27 is a left side view of my new design in the second configuration of the second embodiment.

FIG. 28 is a right side view of my new design in the second configuration of the second embodiment.

FIG. 29 is a top view of my new design in the second configuration of the second embodiment; and,

FIG. 30 is a bottom view of my new design in the second configuration of the second embodiment.

The oblique shade lines in the second embodiment Figures show a reflective surface and not surface ornamentation.

Any other shading lines are not features of the design but are utilized to illustrate surface contours of the stand in the drawings. The broken line showing of environment in which the design is used is for illustrative purposes only and forms no part of the claimed design.

The novel design is for a stand used to display a mobile device.

1 Claim, 26 Drawing Sheets

(58) **Field of Classification Search**

USPC D14/142, 149, 217, 148, 140.8, 140.11, D14/209.1, 151, 140.9, 250, 238; D13/107, 108; D12/415, 223, 114, 420, D12/417, 407, 177; D3/218, 215; D16/242-245, 250, 237, 203, 214, 219;

D8/349; D6/675, 672, 673, 675.4, 553, D6/676, 310, 406.3, 406.4, 406.5, 406.6, D6/407, 567, 300, 682.3; 248/459, 460; 224/483

CPC F16M 11/00; F16M 11/04; F16M 11/041; F16M 11/02; F16M 11/06; F16M 13/00; H04M 1/02; H04M 1/04; H04M 1/11; H04M 1/12; A47F 7/022; B62J 11/00; H05K 7/00; G03B 17/56

See application file for complete search history.

(56)

References Cited

U.S. PATENT DOCUMENTS

D664,528	S	*	7/2012	Chen	D14/253
D666,614	S	*	9/2012	Ding	D14/253
D685,366	S	*	7/2013	Ding	D14/253
D686,200	S	*	7/2013	Huang	D14/253
D686,609	S	*	7/2013	Kadivar	D14/253
D778,899	S	*	2/2017	Khalili	D14/250
D779,478	S	*	2/2017	Justiss	D14/253
D780,166	S	*	2/2017	Lin	D14/250
D786,235	S	*	5/2017	Huotari	D14/253
D826,917	S	*	8/2018	Zhong	D14/253
2011/0253850	A1	*	10/2011	Bau	H04M 1/0214 248/176.3
2012/0006950	A1	*	1/2012	Vandiver	F16M 11/10 248/176.3
2012/0025039	A1	*	2/2012	Segal	F16M 11/24 248/188.6
2012/0074286	A1	*	3/2012	Chou	F16M 11/38 248/346.03
2013/0077211	A1	*	3/2013	Wang	F16M 13/005 361/679.01

* cited by examiner

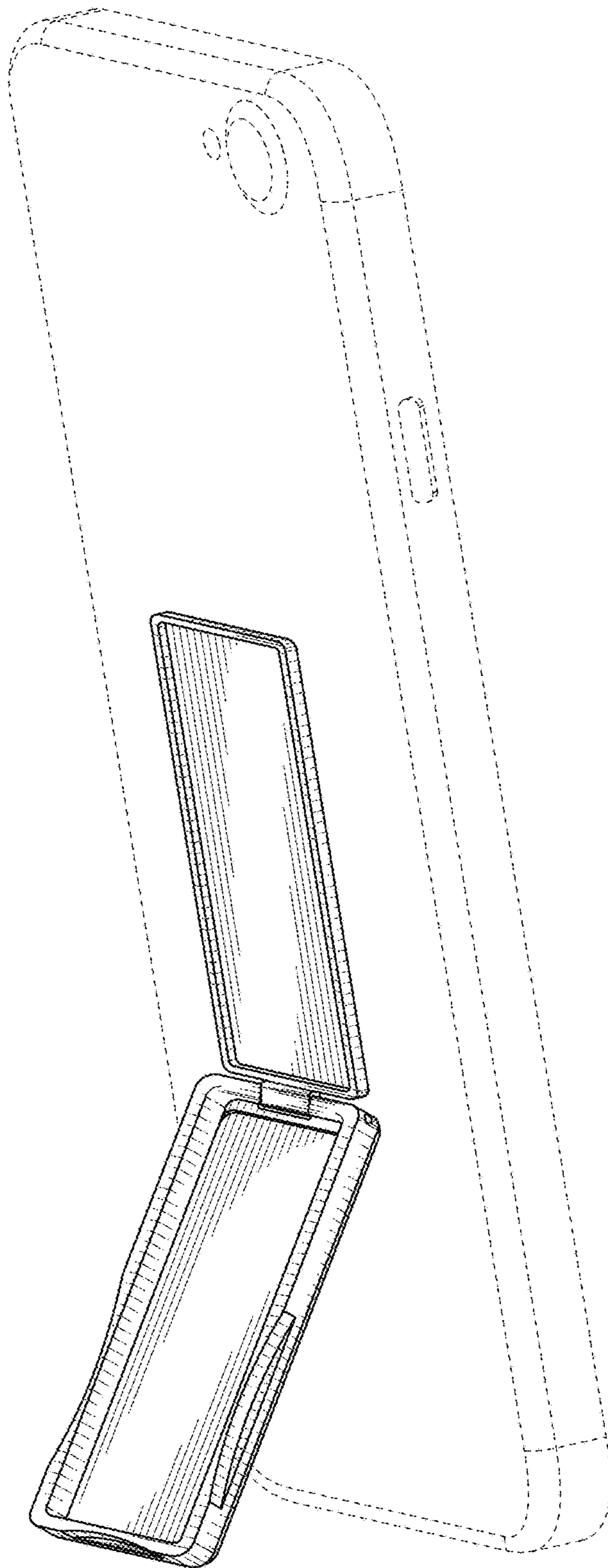


FIG. 1

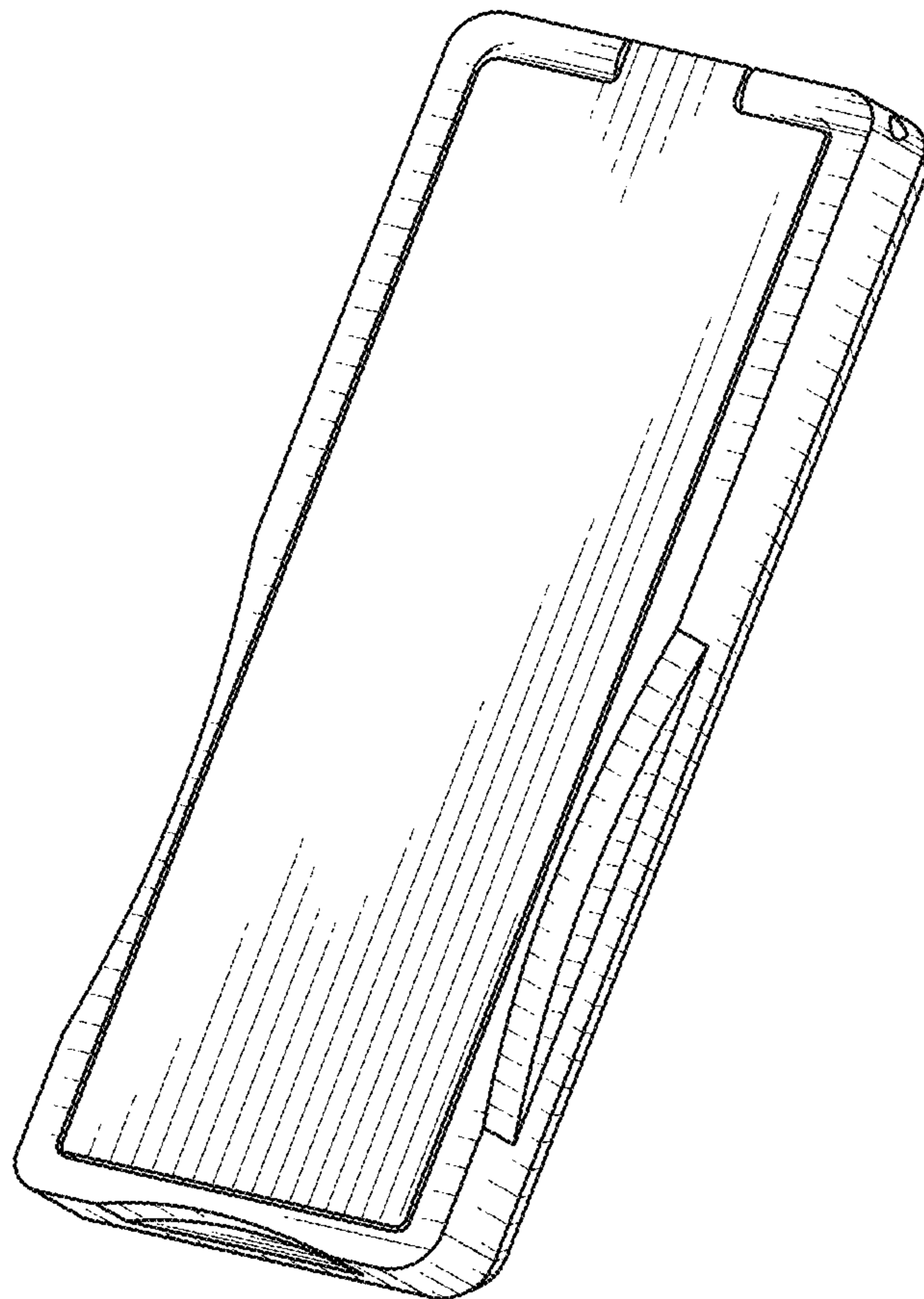


FIG. 2

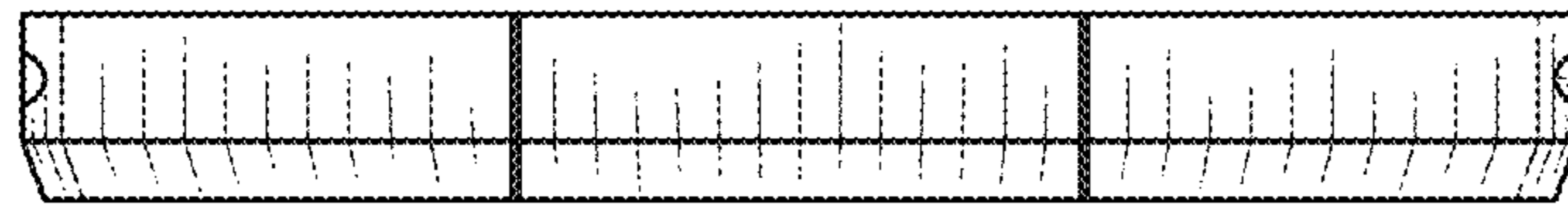


FIG. 3

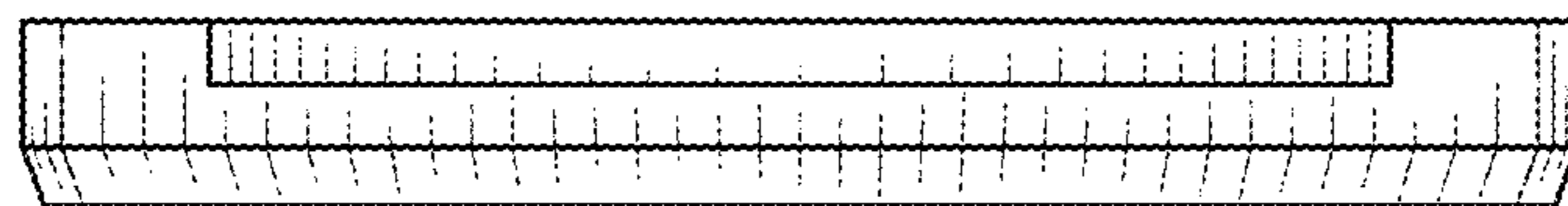


FIG. 4

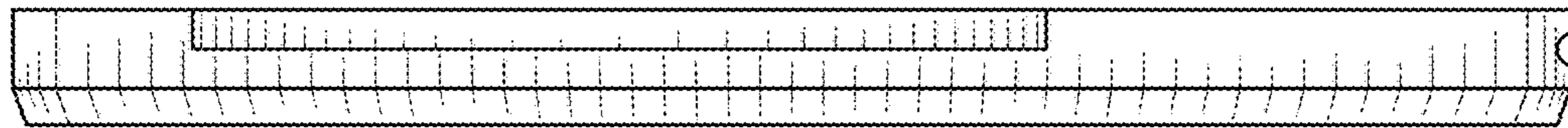


FIG. 5

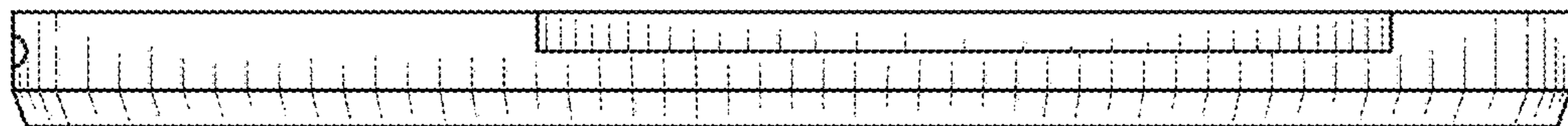


FIG. 6



FIG. 7

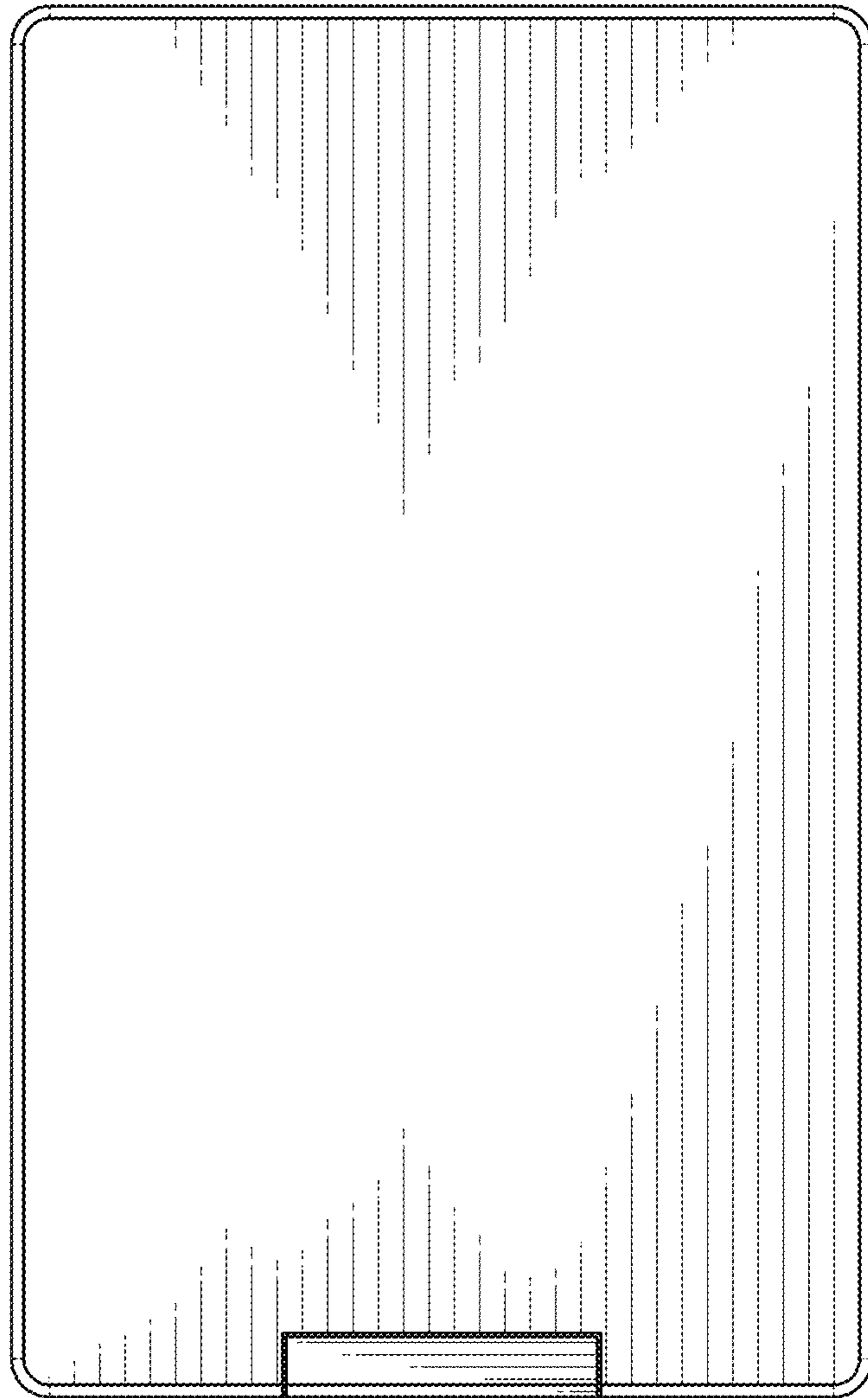


FIG. 8

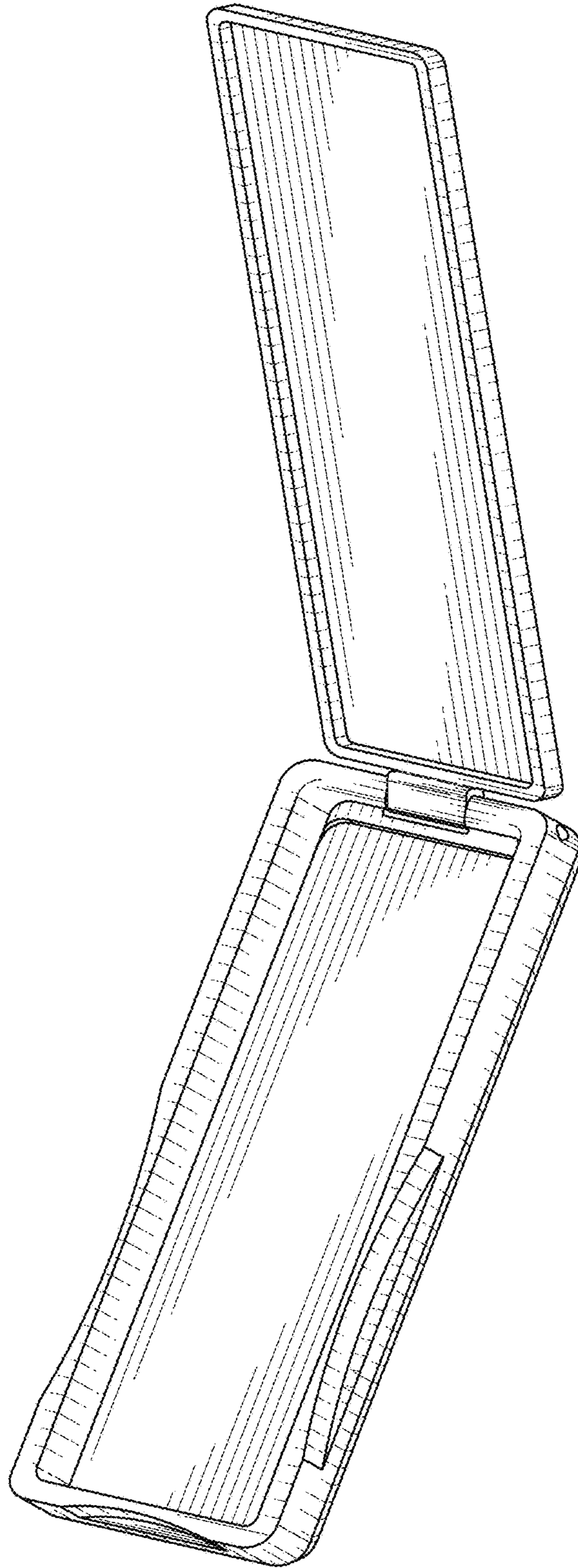


FIG. 9

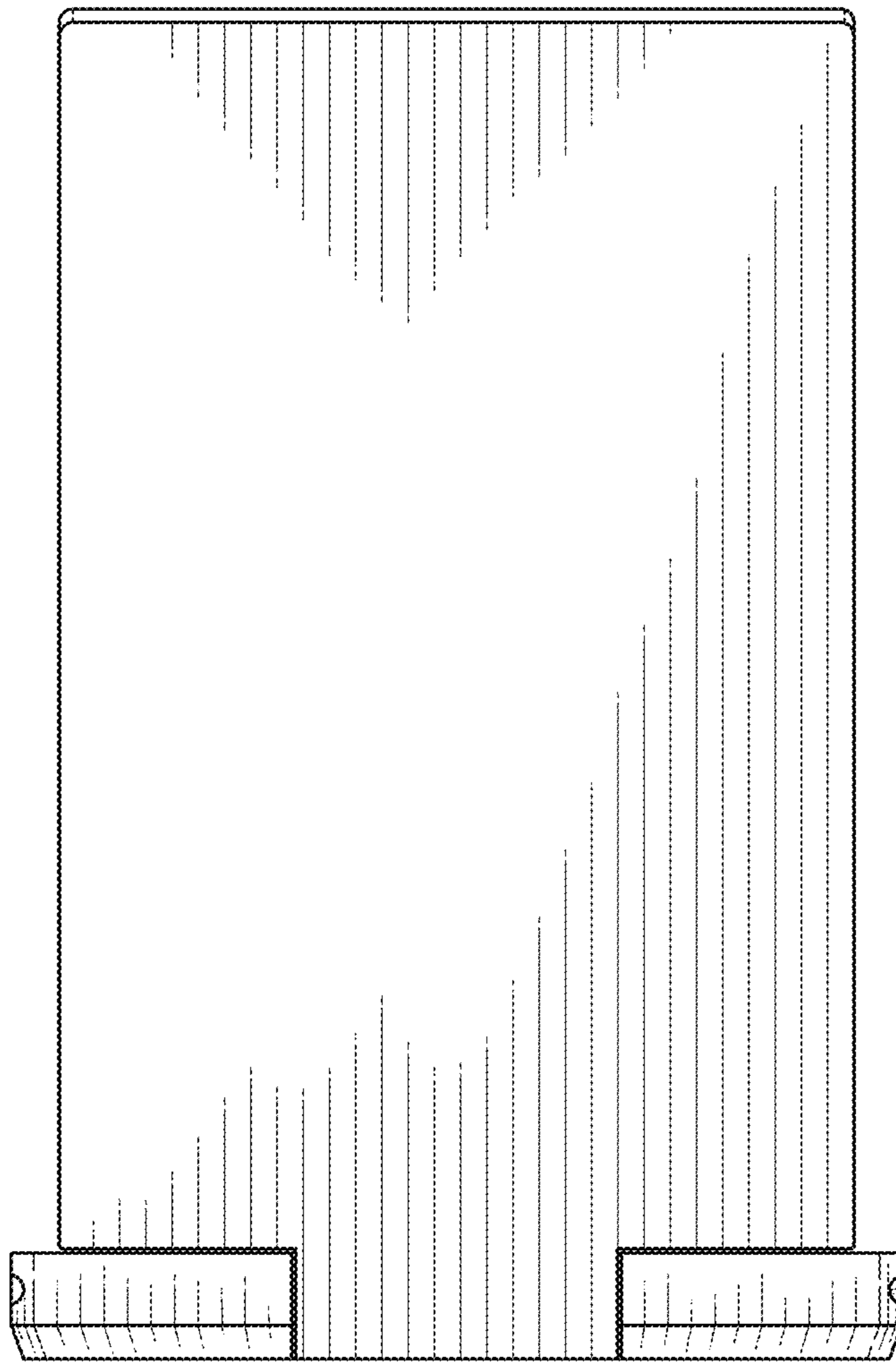


FIG. 10

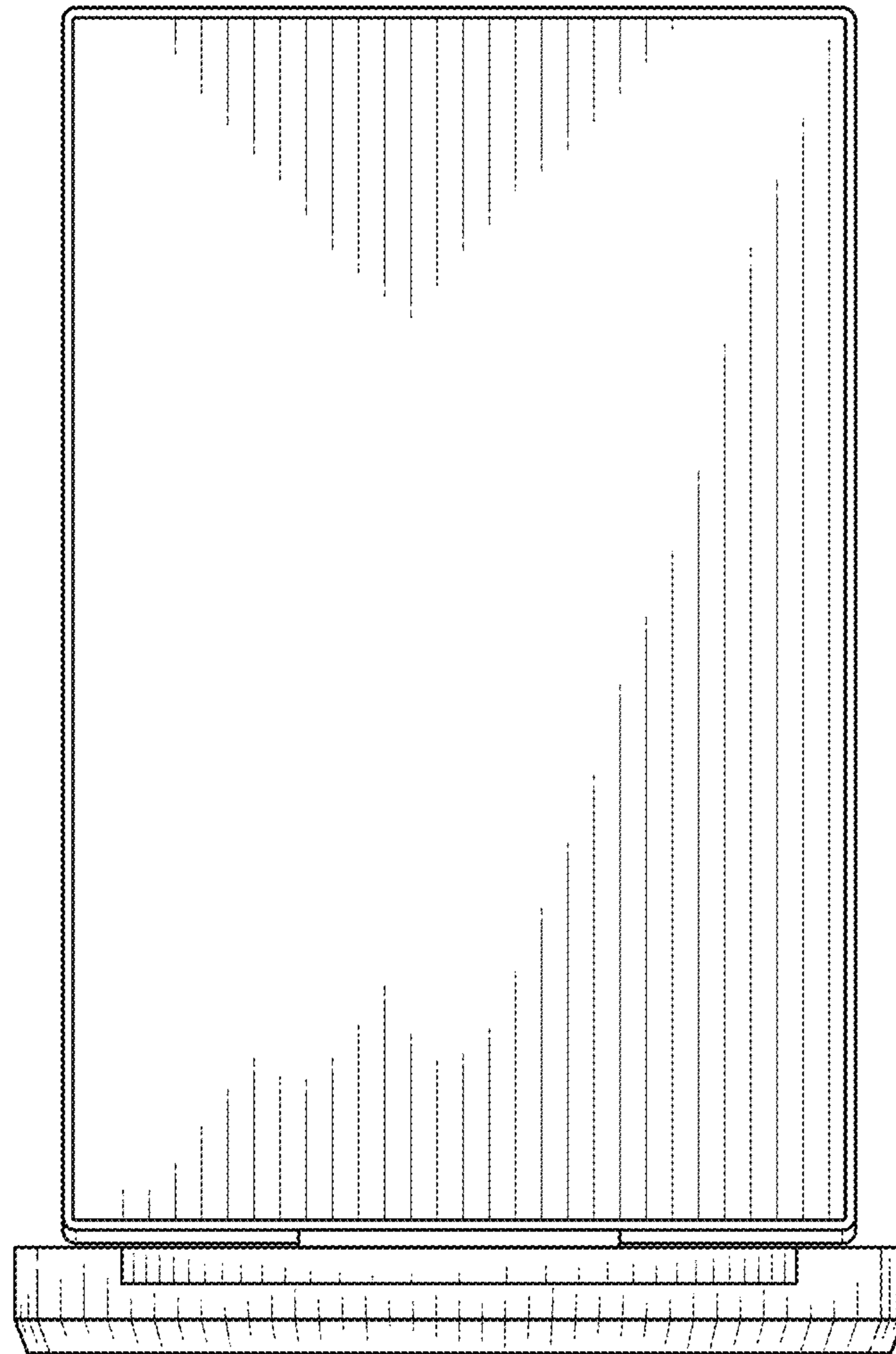


FIG. 11

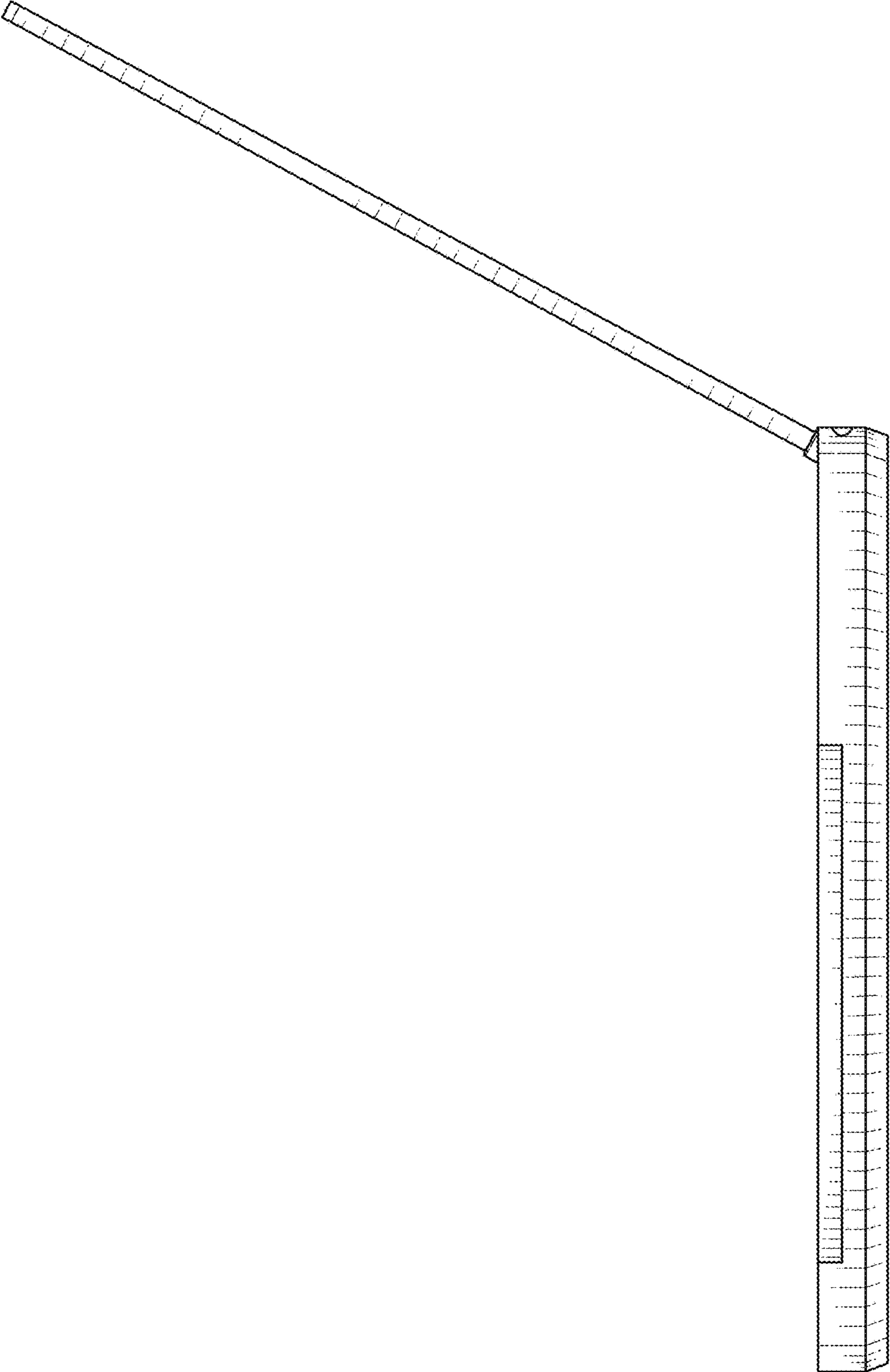


FIG. 12

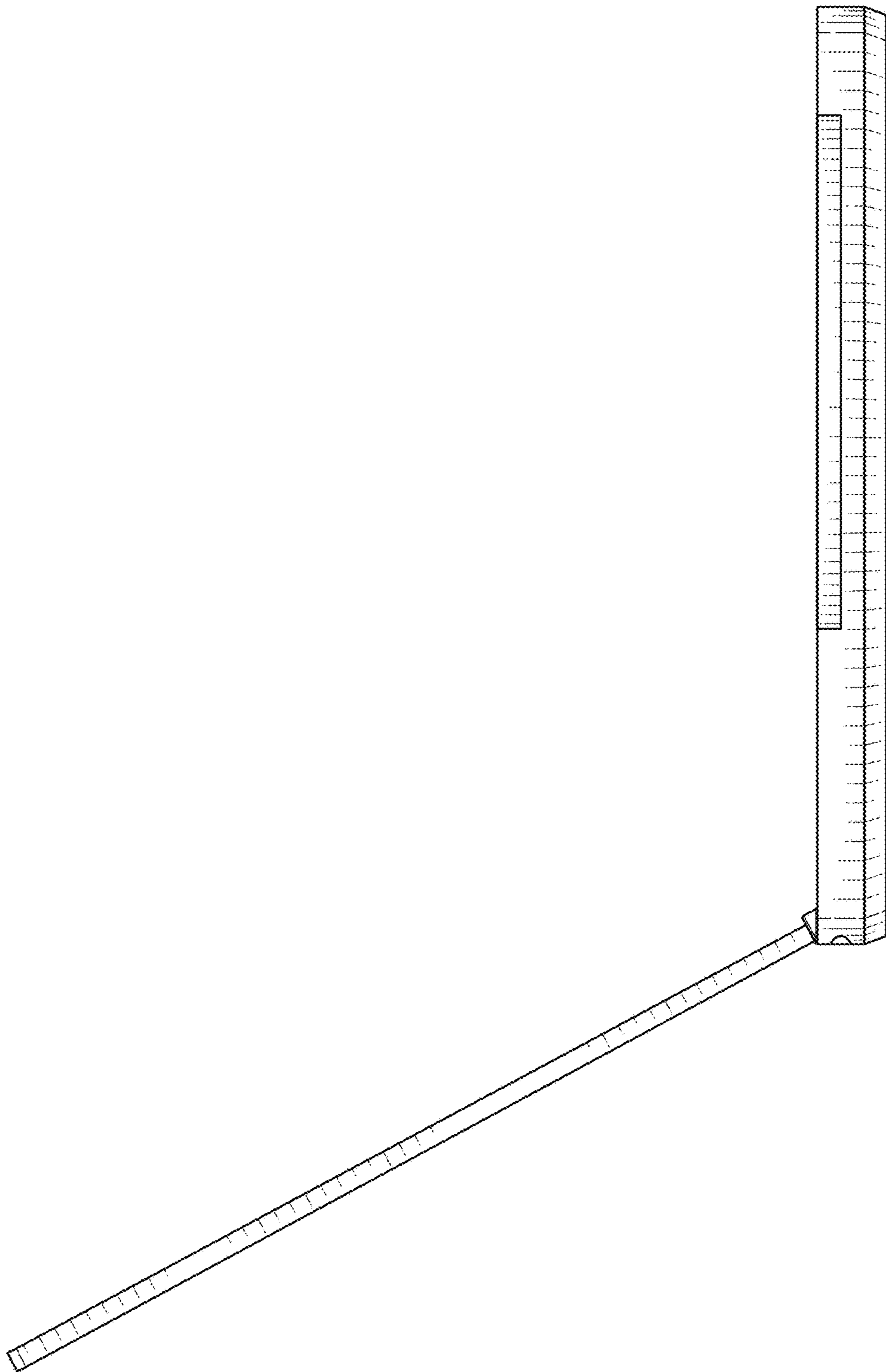


FIG. 13

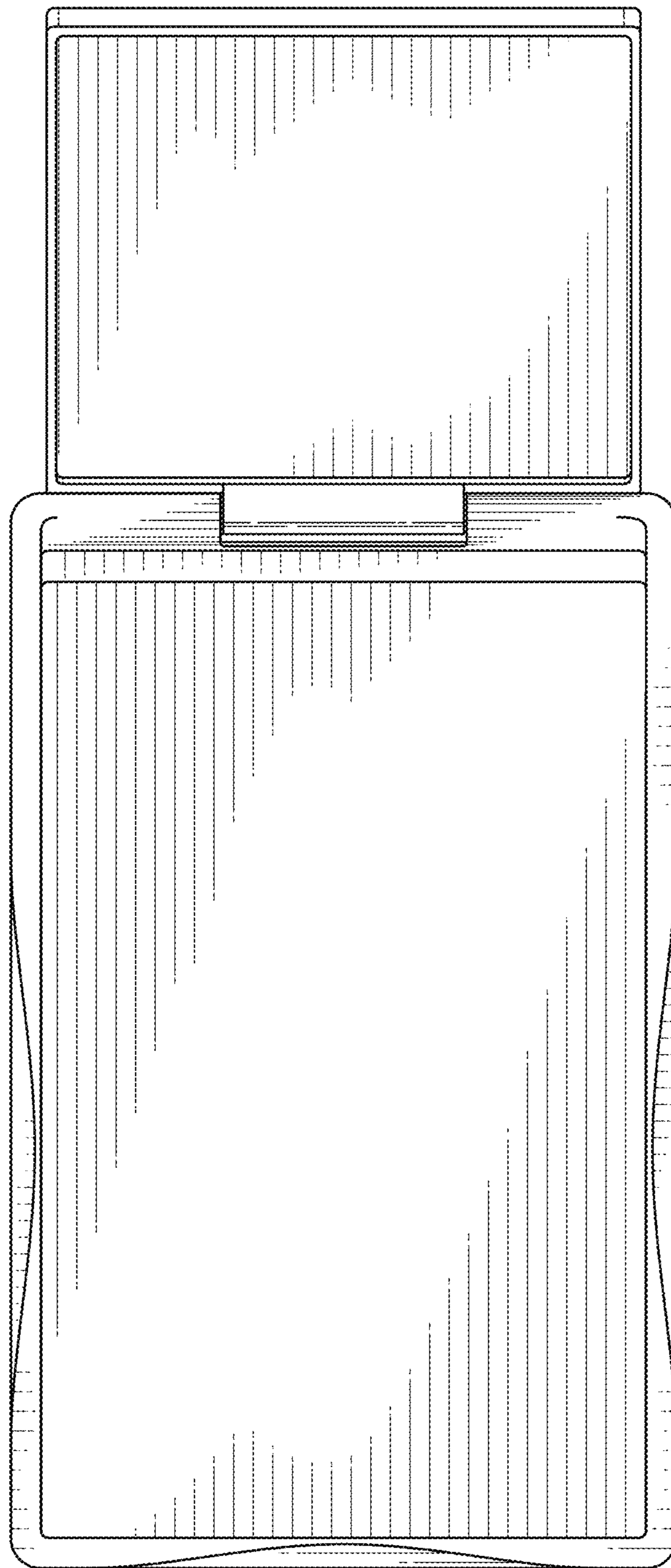


FIG. 14

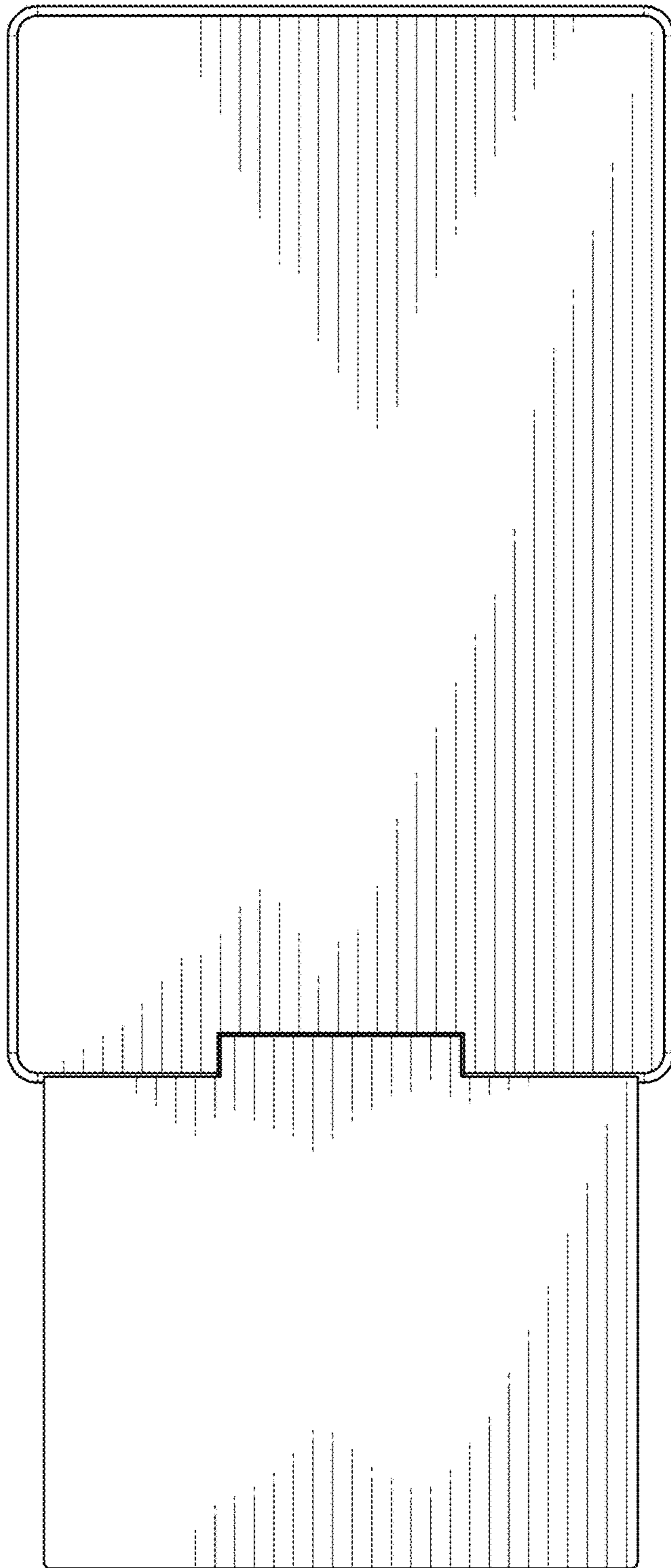


FIG. 15

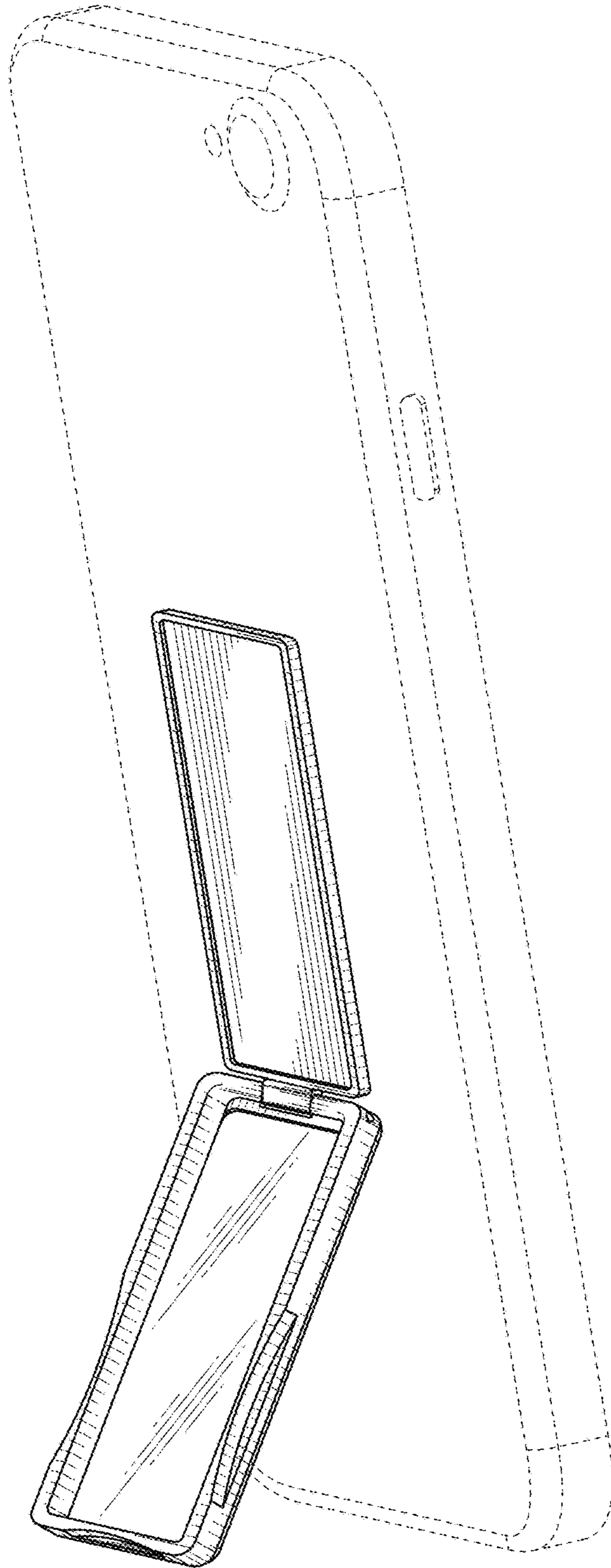


FIG. 16

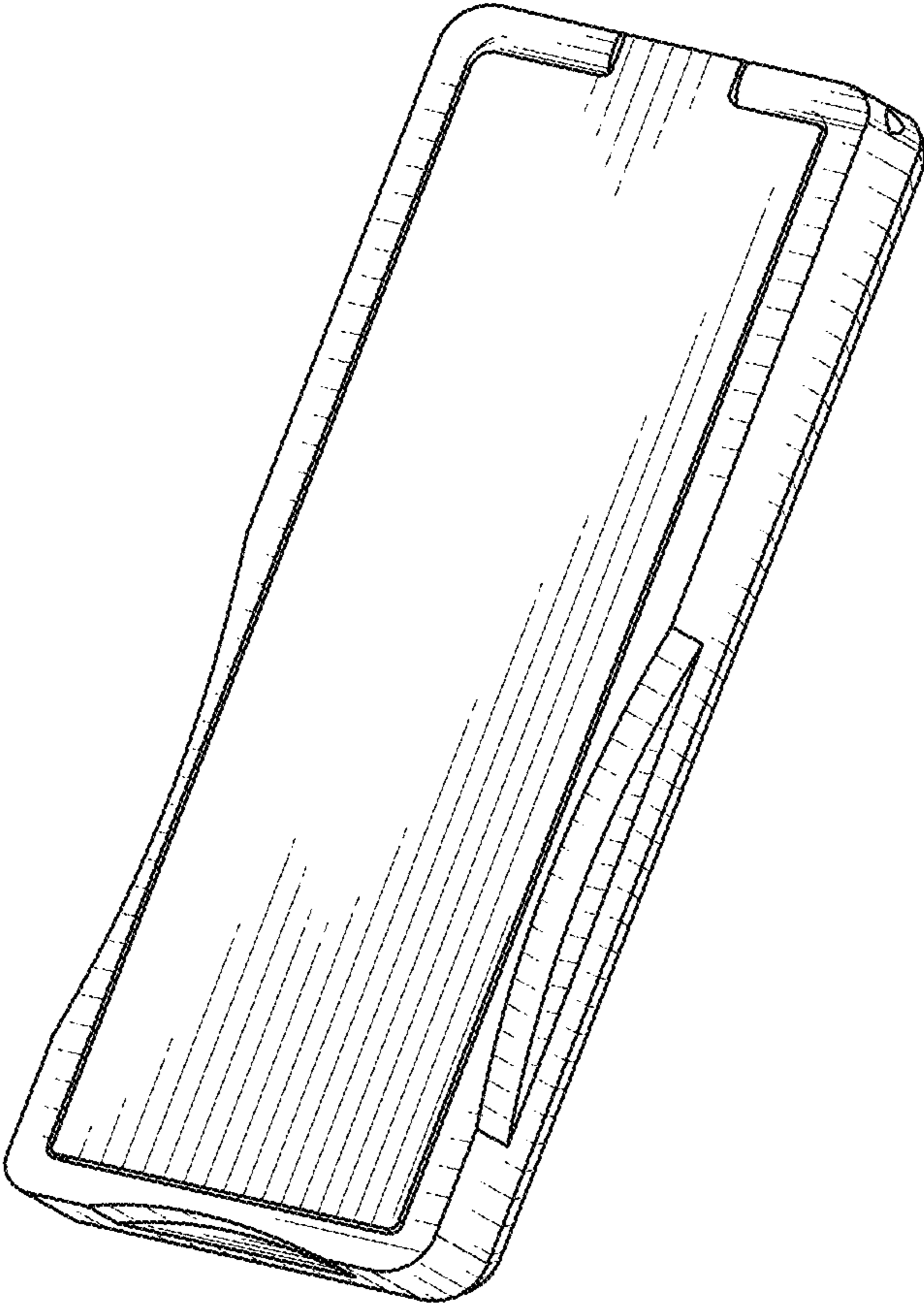


FIG. 17

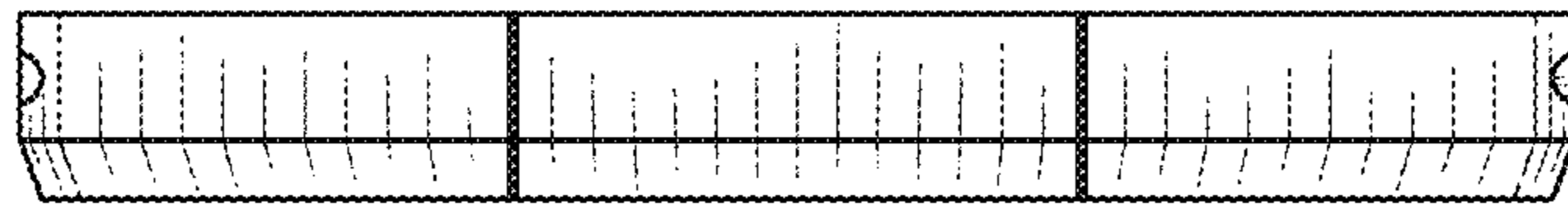


FIG. 18

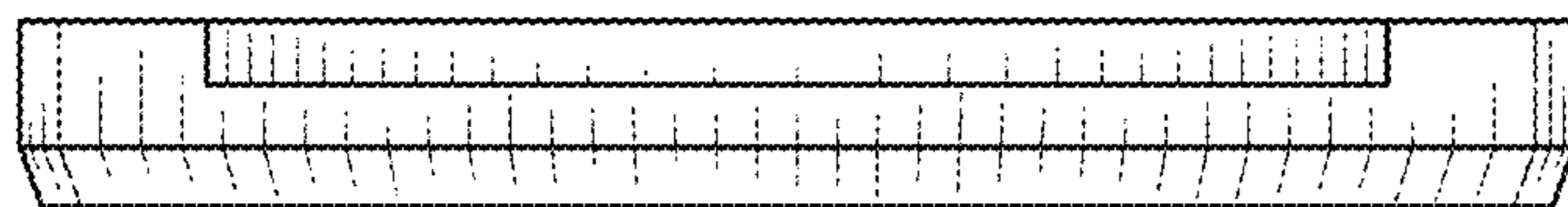


FIG. 19

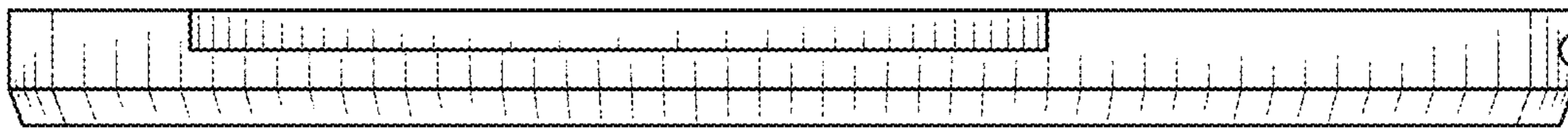


FIG. 20

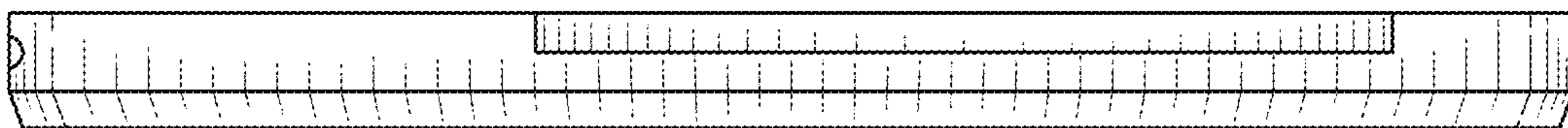


FIG. 21



FIG. 22

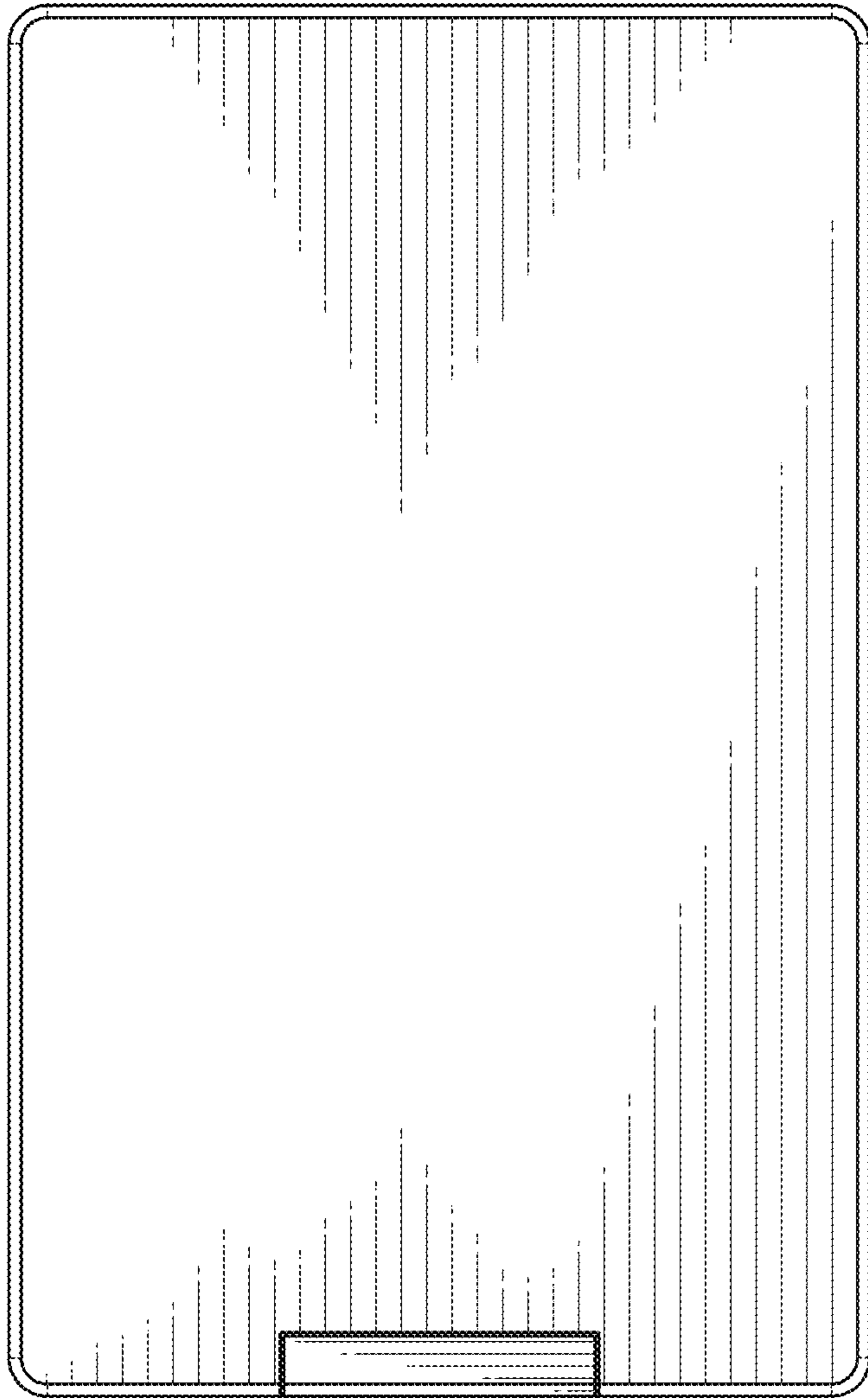


FIG. 23

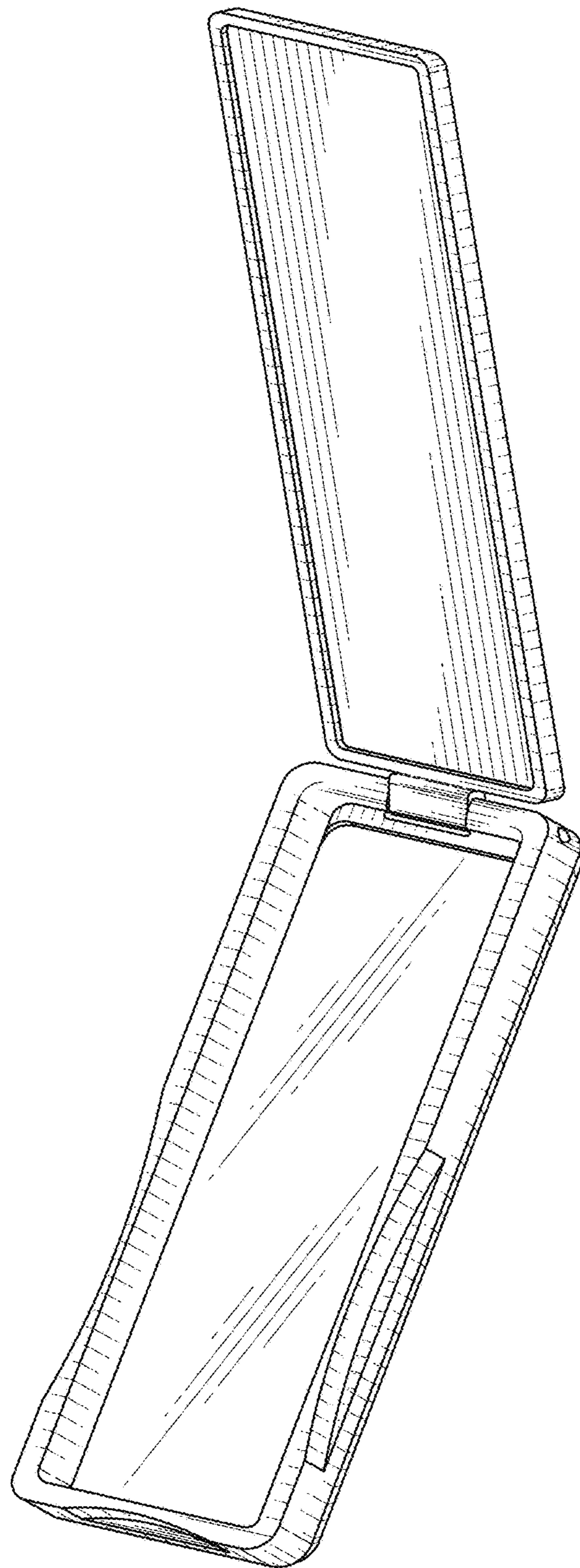


FIG. 24

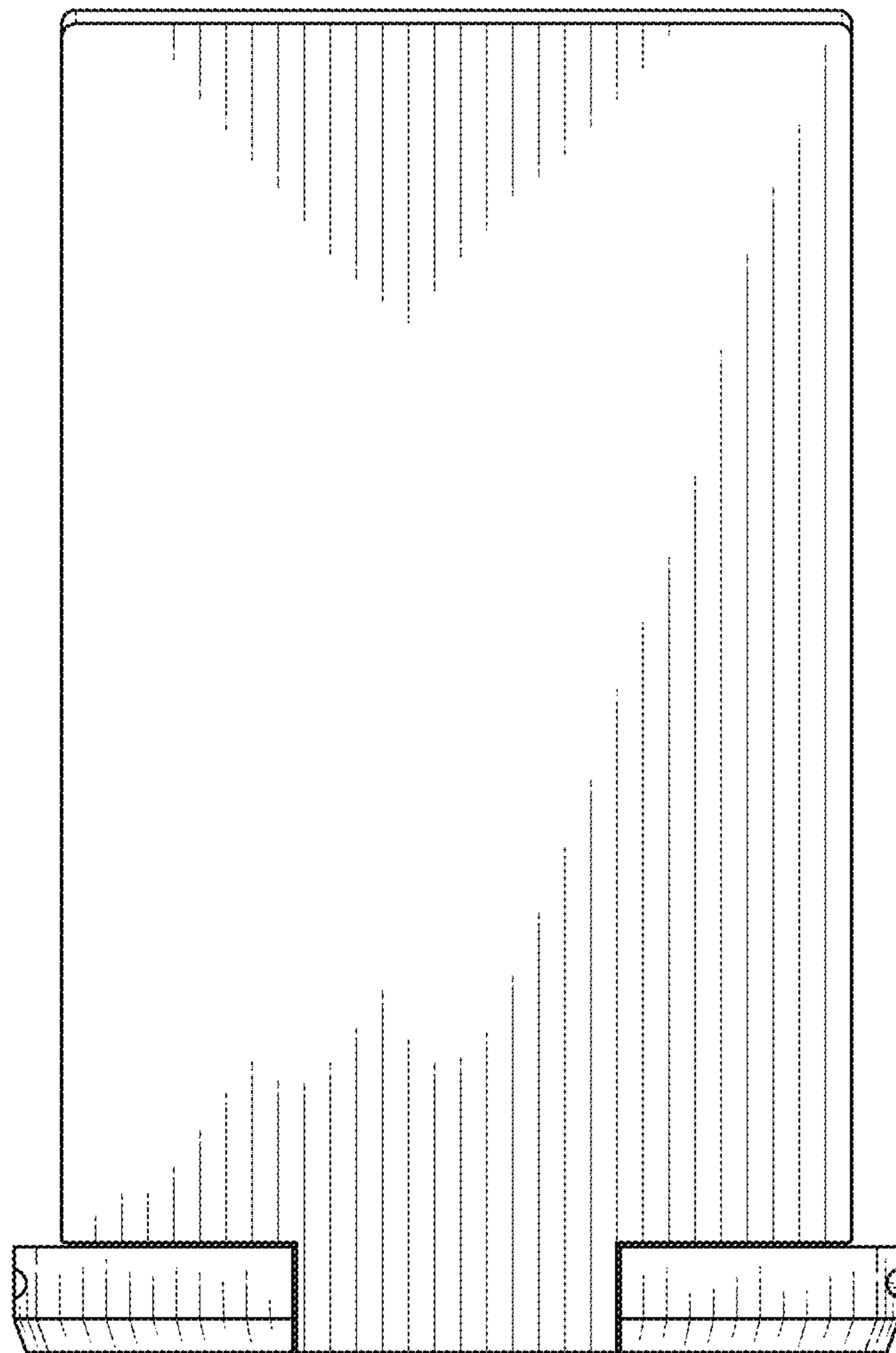


FIG. 25

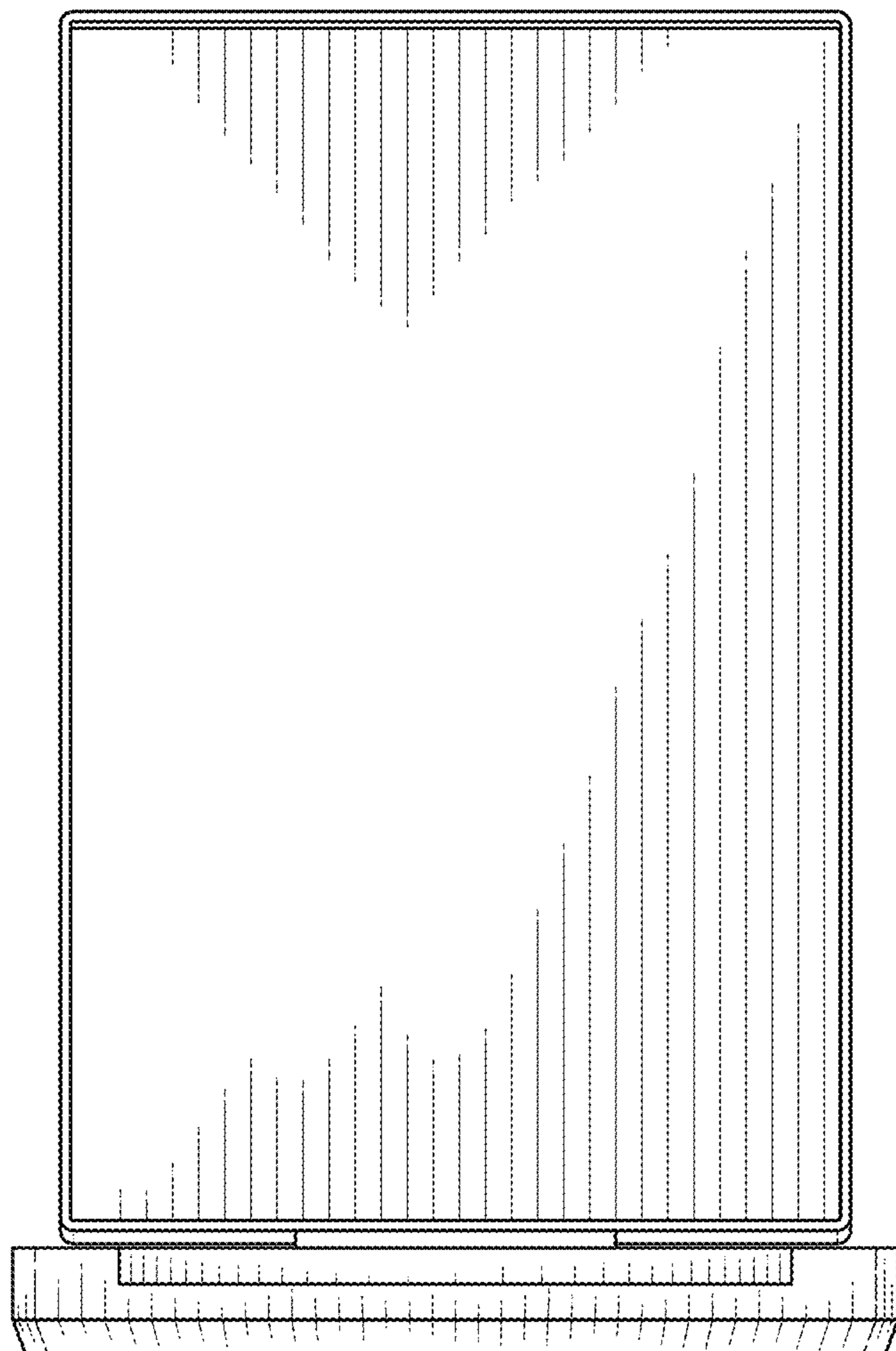


FIG. 26

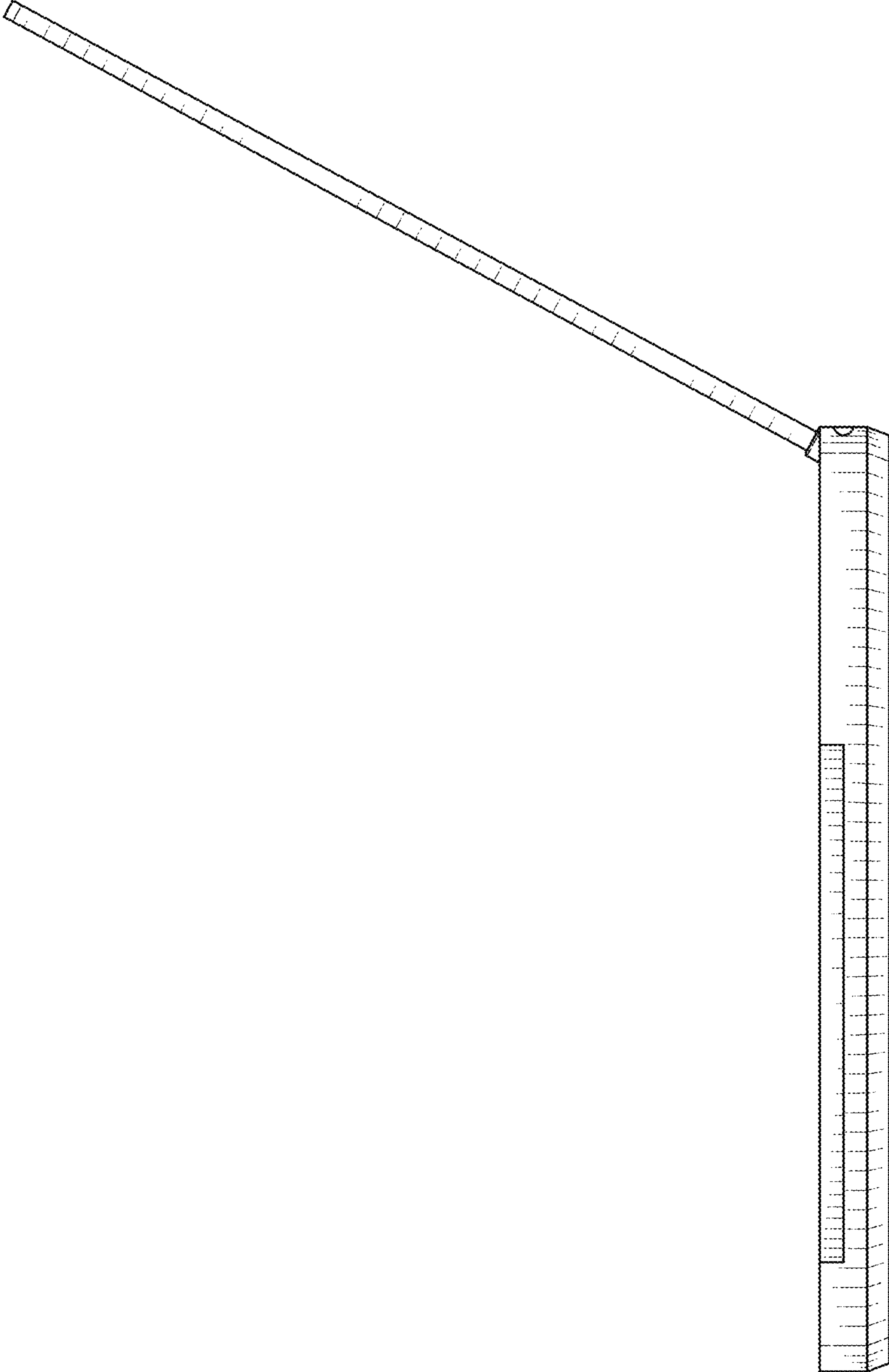


FIG. 27

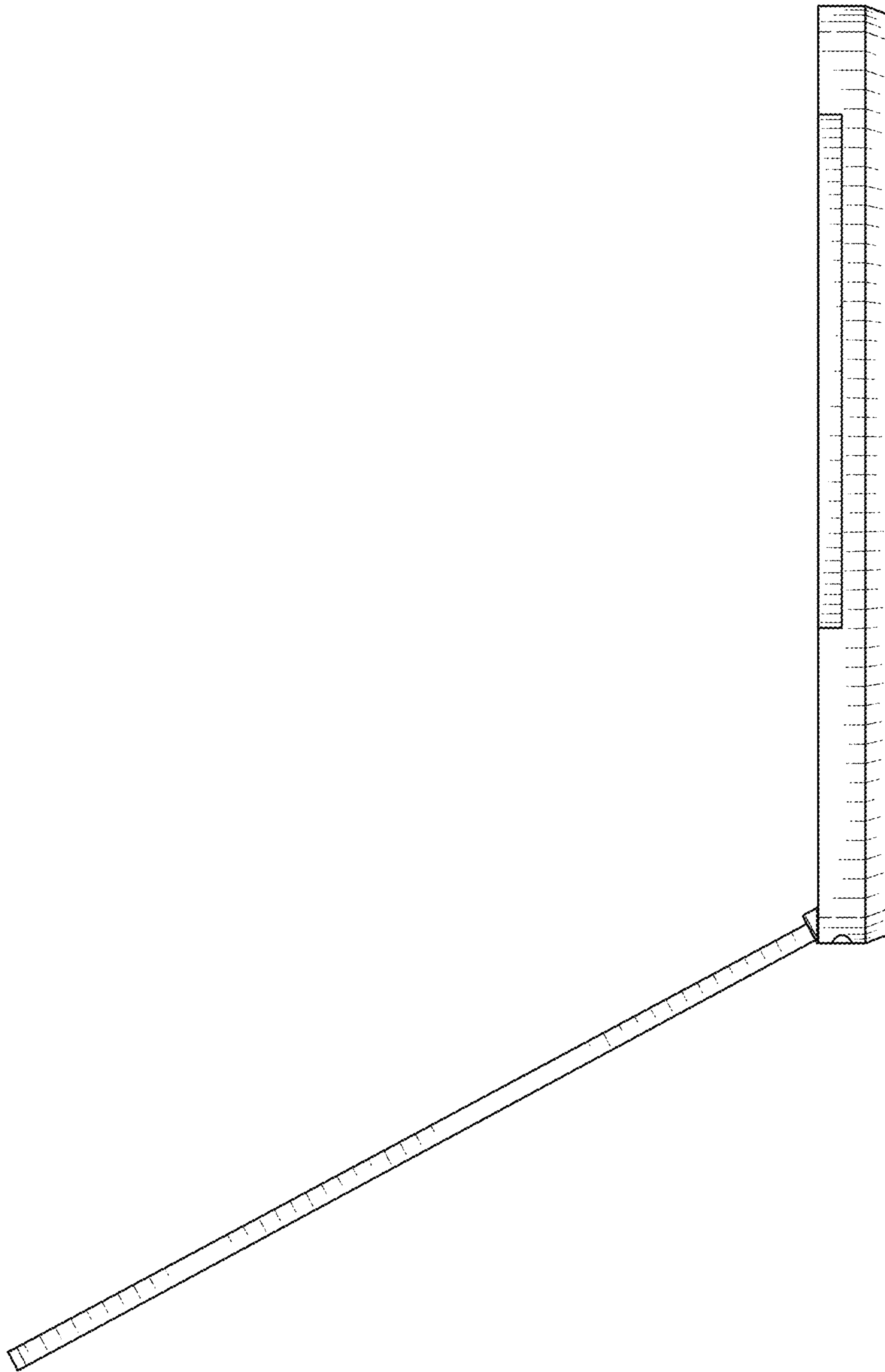


FIG. 28

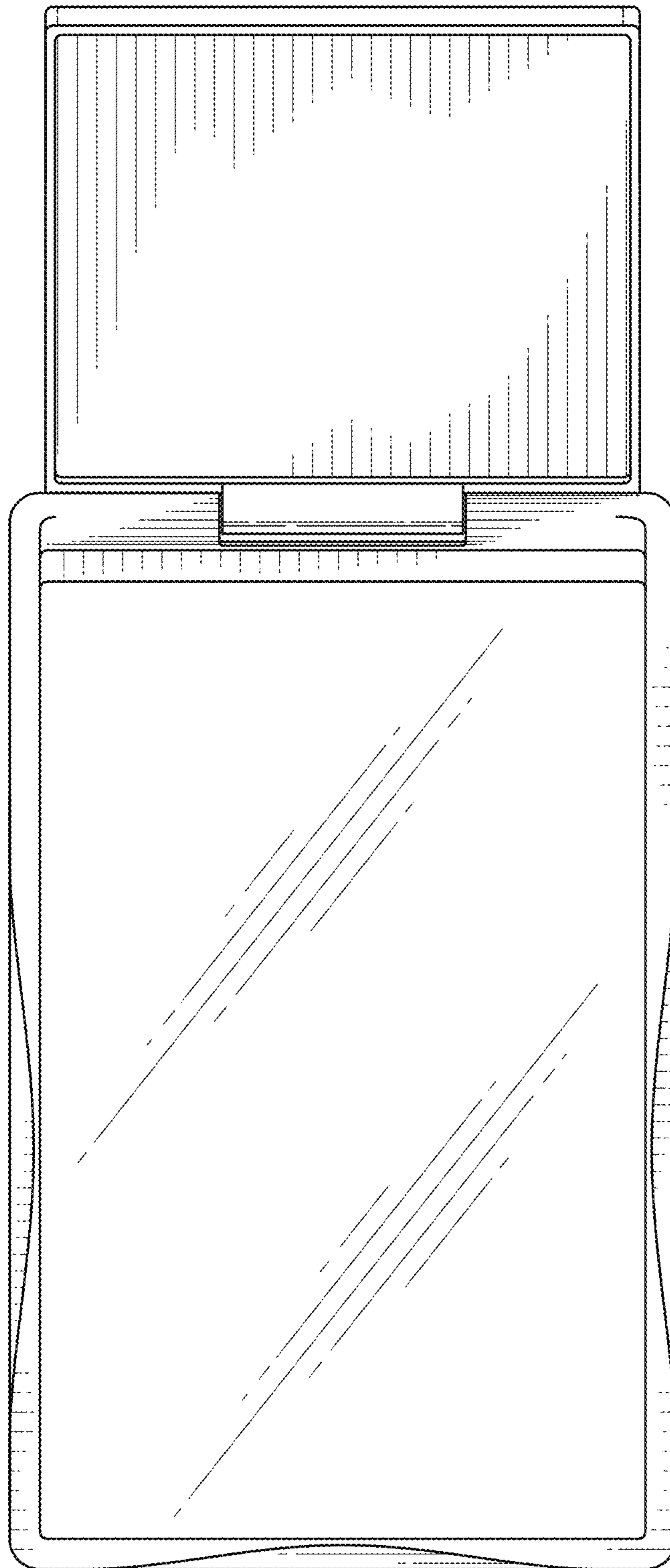


FIG. 29

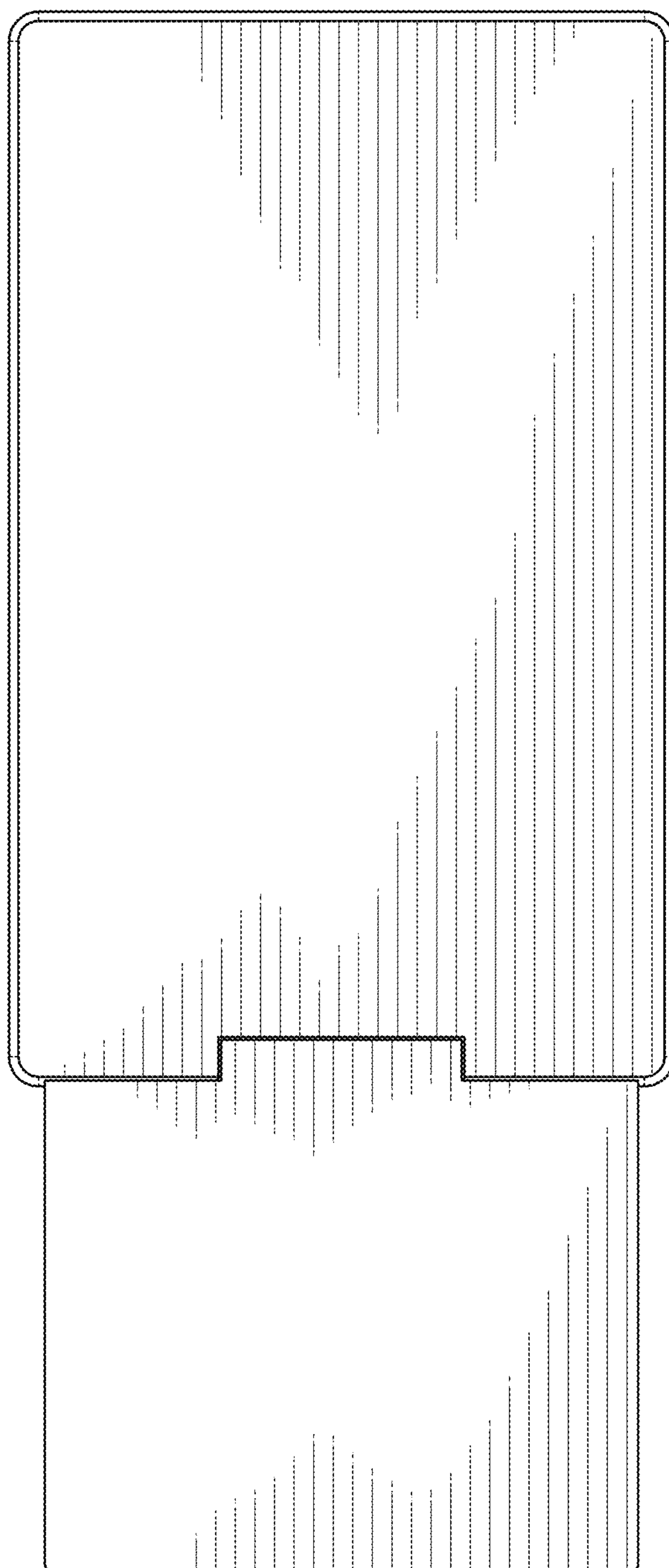


FIG. 30