

US00D842850S

(12) **United States Design Patent**  
**Tang et al.**

(10) **Patent No.:** **US D842,850 S**

(45) **Date of Patent:** **\*\* Mar. 12, 2019**

(54) **MOBILE DEVICE HOLDER**

(71) Applicant: **eMoMo Technology Co., Ltd.**,  
Shenzhen (CN)

(72) Inventors: **Wenji Tang**, Shenzhen (CN); **Yushu Zhao**, Shenzhen (CN); **Yongzhong Tang**, Shenzhen (CN); **Dasheng Hu**, Shenzhen (CN); **Xiaolian Zhou**, Shenzhen (CN); **Jing Song**, Shenzhen (CN); **Yulong Zhang**, Shenzhen (CN)

(73) Assignee: **eMoMo Technology Co., Ltd.**,  
Shenzhen (CN)

(\*\*) Term: **15 Years**

(21) Appl. No.: **29/601,818**

(22) Filed: **Apr. 26, 2017**

(30) **Foreign Application Priority Data**

Nov. 7, 2016 (CN) ..... 2016 3 0540536

(51) **LOC (11) Cl.** ..... **14-03**

(52) **U.S. Cl.**  
USPC ..... **D14/253**

(58) **Field of Classification Search**  
USPC ..... D14/144, 217, 224, 251–253, 434, 447,  
D14/451–452; D3/218; D12/114, 177,  
D12/223, 400, 415, 417; D16/242–243  
CPC .... F16M 13/022; F16M 11/041; F16M 13/00;  
F16M 13/02; F16M 11/10  
See application file for complete search history.

(56) **References Cited**

**U.S. PATENT DOCUMENTS**

D251,426 S \* 3/1979 Molyneux ..... D14/229  
D279,674 S \* 7/1985 Harley ..... D14/251  
D290,706 S \* 7/1987 Peart ..... D14/451  
5,057,039 A \* 10/1991 Persing ..... A47B 21/06  
248/231.71

D409,992 S \* 5/1999 Mockett ..... D14/451  
D413,110 S \* 8/1999 Sweere ..... D14/447  
6,004,157 A \* 12/1999 Glass ..... A47B 21/06  
439/535  
D462,359 S \* 9/2002 Scharer ..... D14/451  
D592,188 S \* 5/2009 Huang ..... D14/217  
D636,728 S \* 4/2011 Terleski ..... D13/139.4  
D639,816 S \* 6/2011 Bau ..... D14/447  
D640,247 S \* 6/2011 Baumann ..... D14/253  
D645,033 S \* 9/2011 Quong ..... D14/253  
D650,372 S \* 12/2011 Molter ..... D14/239  
D670,284 S \* 11/2012 Choi ..... D14/253  
D671,110 S \* 11/2012 Choi ..... D14/253  
D681,646 S \* 5/2013 Ide ..... D14/447  
D689,478 S \* 9/2013 Wikel ..... D14/253  
D690,306 S \* 9/2013 Malisse ..... D14/447

(Continued)

*Primary Examiner* — Cathron C Brooks

*Assistant Examiner* — Sharon S Oum

(74) *Attorney, Agent, or Firm* — Bass, Berry & Sims  
PLC

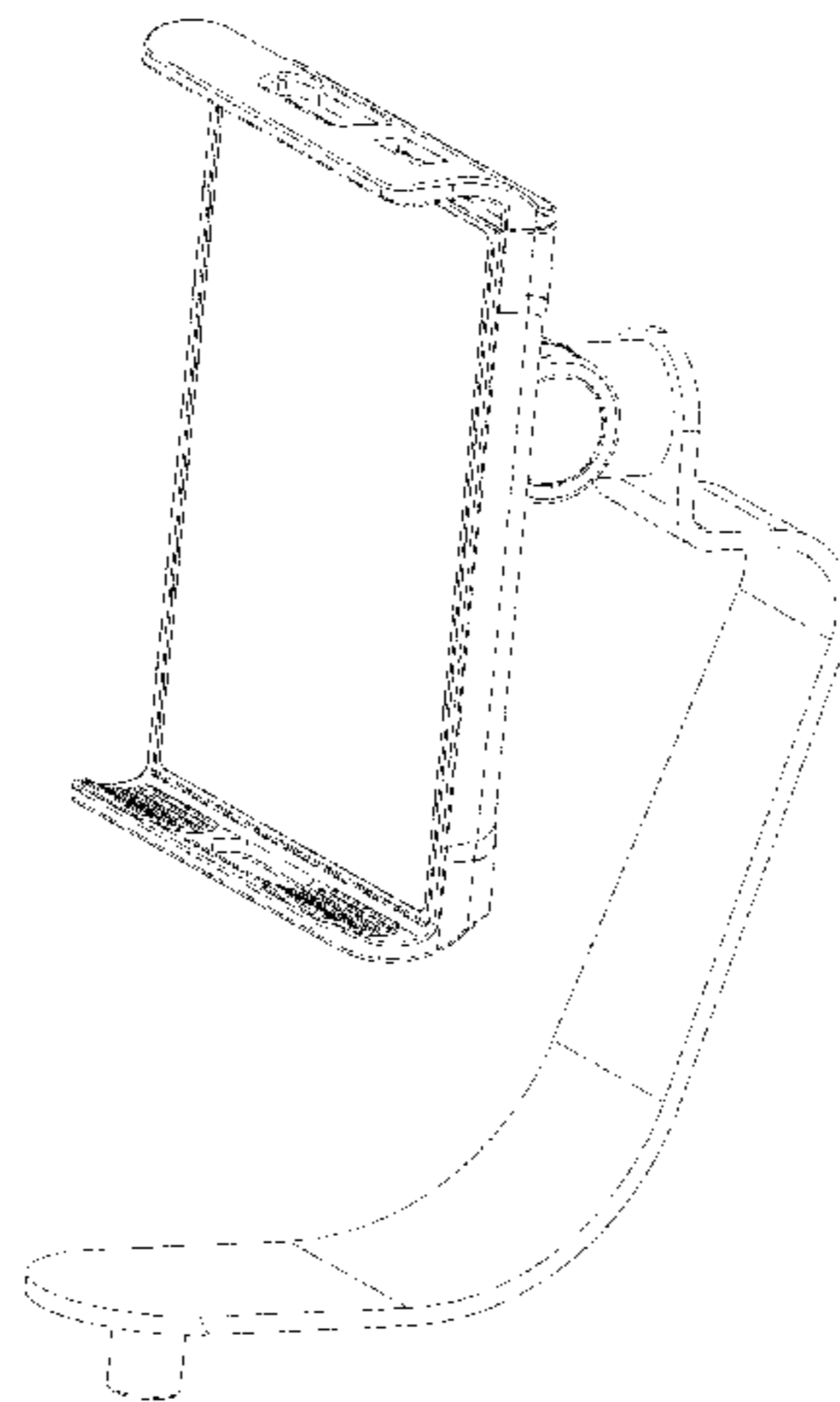
(57) **CLAIM**

The ornamental design for a mobile device holder, as shown and described.

**DESCRIPTION**

FIG. 1 is a front view of a mobile device holder showing our new design;  
FIG. 2 is a rear view thereof;  
FIG. 3 is a left side view thereof;  
FIG. 4 is a right side view thereof;  
FIG. 5 is a top view thereof;  
FIG. 6 is a bottom view thereof;  
FIG. 7 is a front perspective view thereof;  
FIG. 8 is a rear perspective view thereof;  
FIG. 9 is another front perspective view thereof with a sliding holding tab in an extended position; and,  
FIG. 10 is another rear perspective view thereof with the sliding holding tab in an extended position.

**1 Claim, 10 Drawing Sheets**



(56)

**References Cited**

## U.S. PATENT DOCUMENTS

D703,676	S *	4/2014	Smith	.....	D14/447
D717,289	S *	11/2014	Takabatake	.....	D14/252
D721,712	S *	1/2015	Byrne	.....	D14/447
D722,063	S *	2/2015	Zwerner	.....	D14/447
D722,064	S *	2/2015	Zwerner	.....	D14/447
D726,734	S *	4/2015	Whorton	.....	D14/457
D733,113	S *	6/2015	Krantz	.....	D14/251
D738,873	S *	9/2015	Kim	.....	D14/253
D769,235	S *	10/2016	Li	.....	D14/253
D772,218	S *	11/2016	Alesi	.....	D14/253
D779,478	S *	2/2017	Justiss	.....	D14/253
9,581,291	B2 *	2/2017	Trotsky	.....	F16M 11/041
D789,348	S *	6/2017	Kim	.....	D14/250
D791,861	S *	7/2017	Battle	.....	D14/447
D798,871	S *	10/2017	Avganim	.....	D14/447
D799,463	S *	10/2017	Deng	.....	D14/252
D816,027	S *	4/2018	Chen	.....	D13/108
2010/0165228	A1 *	7/2010	Shen	.....	F16M 11/10
					349/58
2017/0159875	A1 *	6/2017	Wagner	.....	F16M 13/04

\* cited by examiner

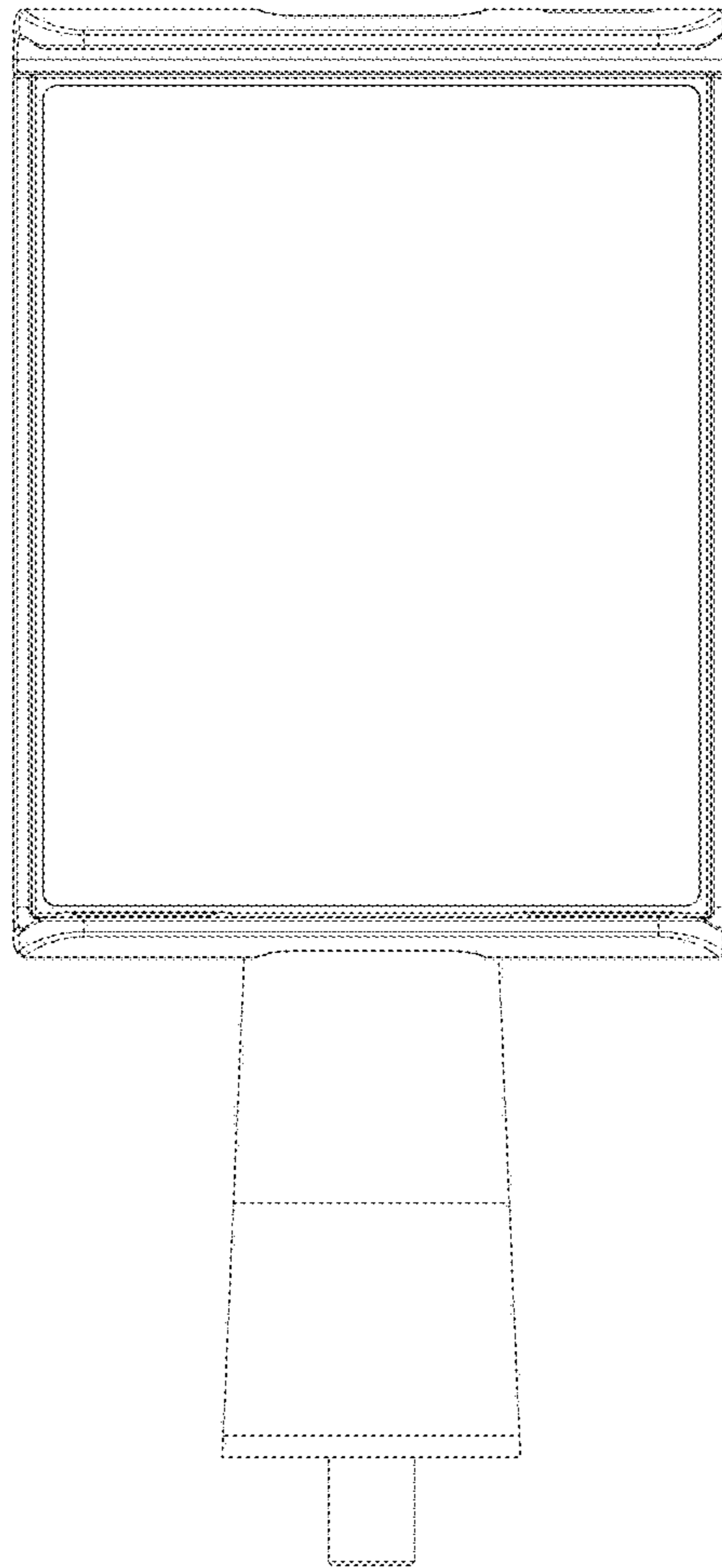


Fig. 1

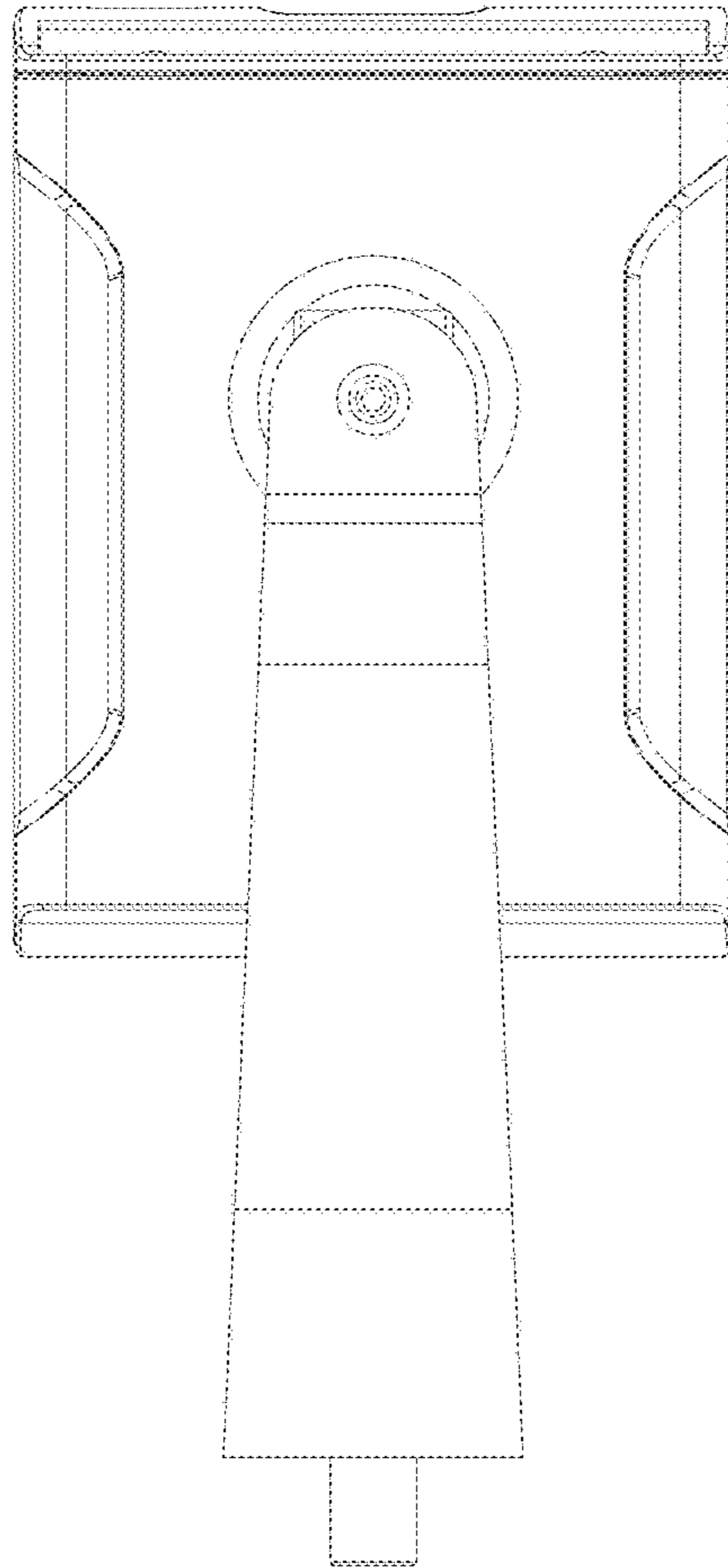


Fig. 2

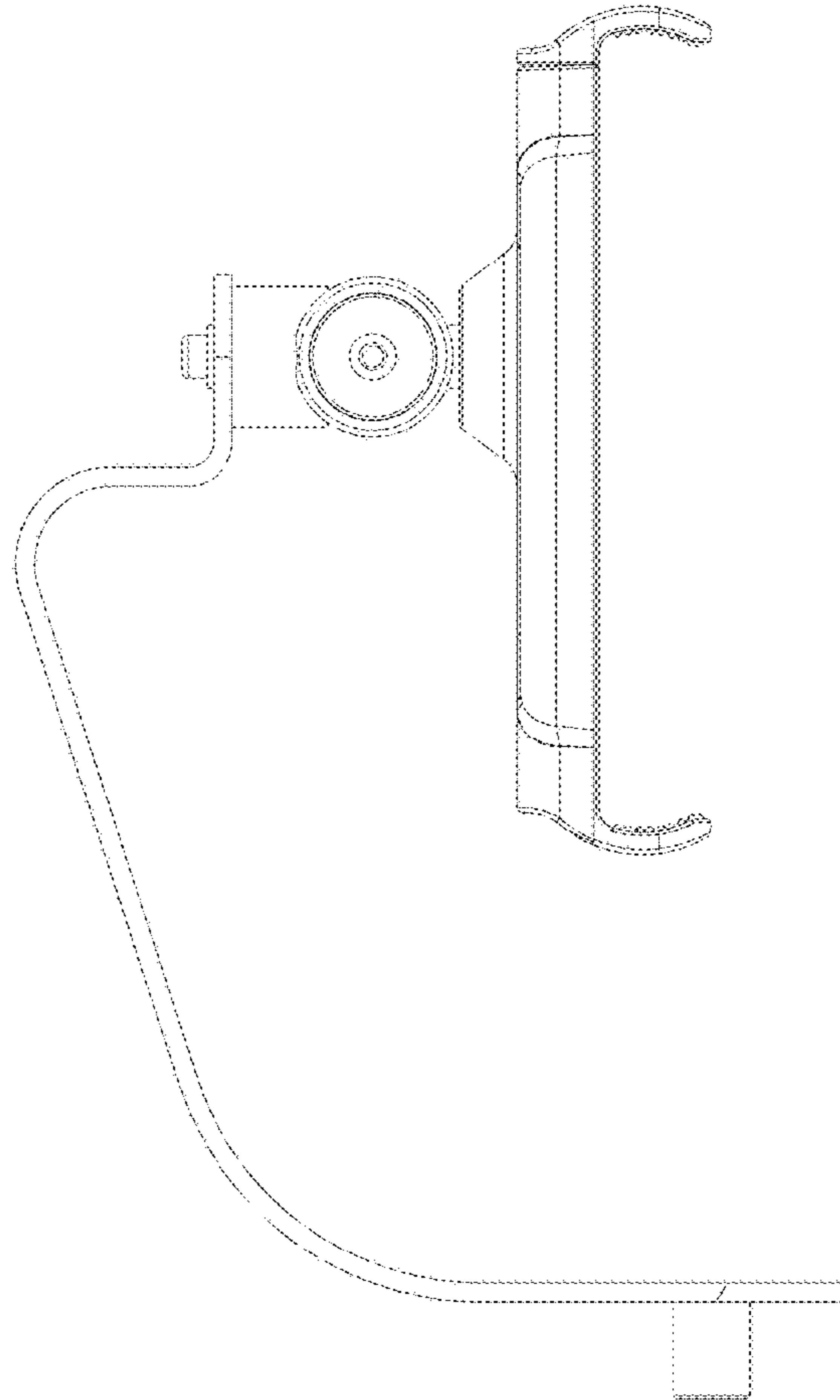


Fig. 3

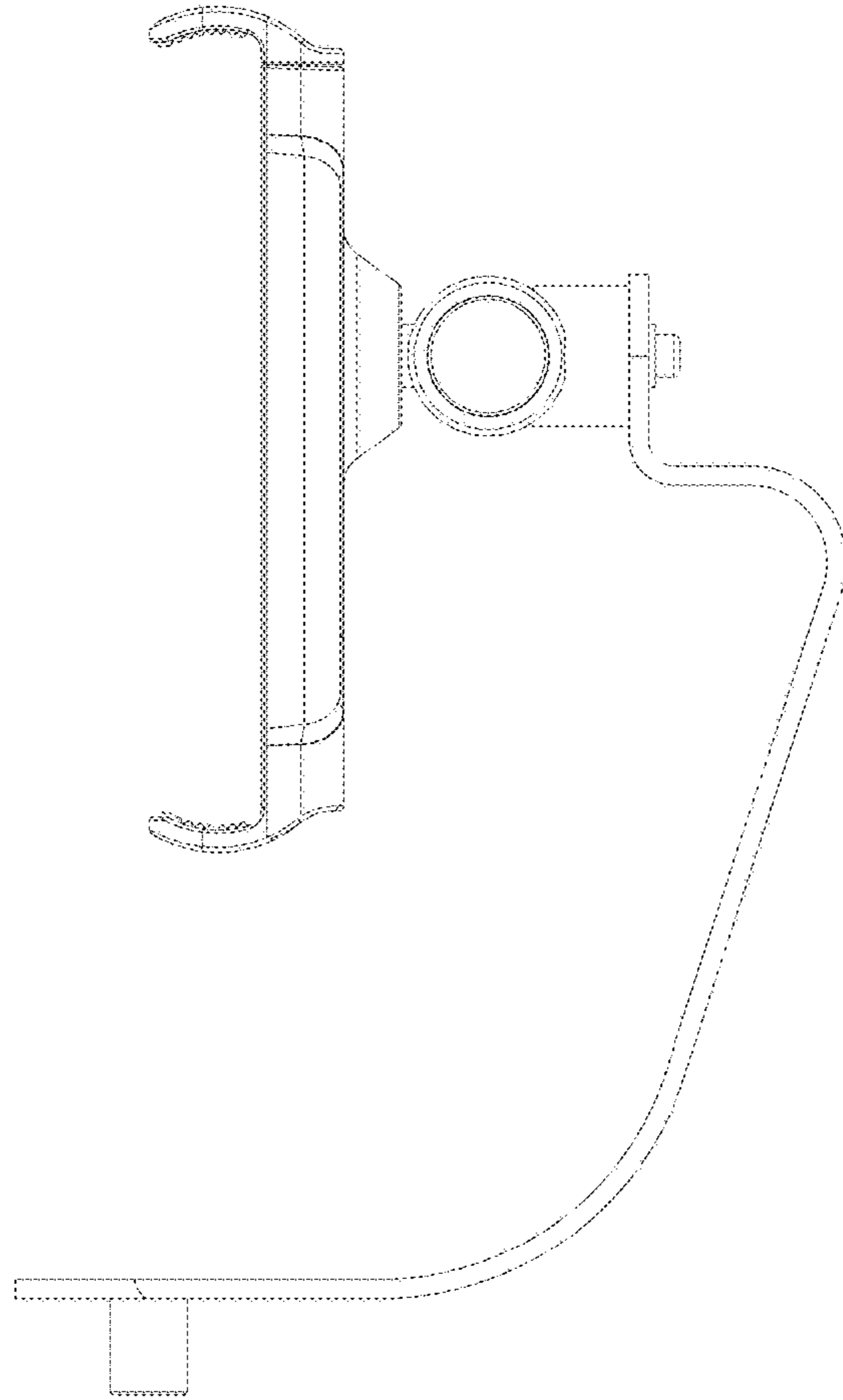


Fig. 4

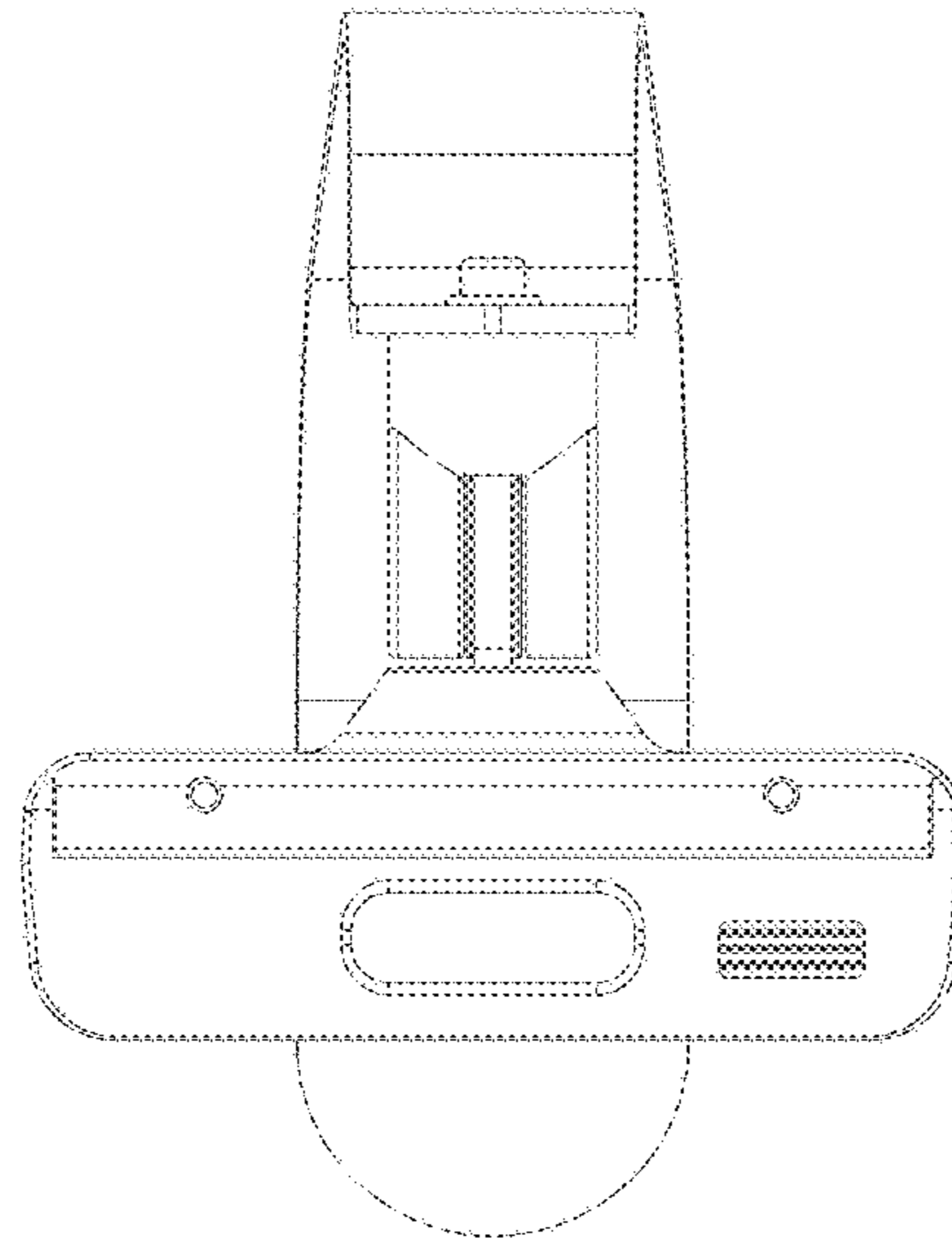


Fig. 5

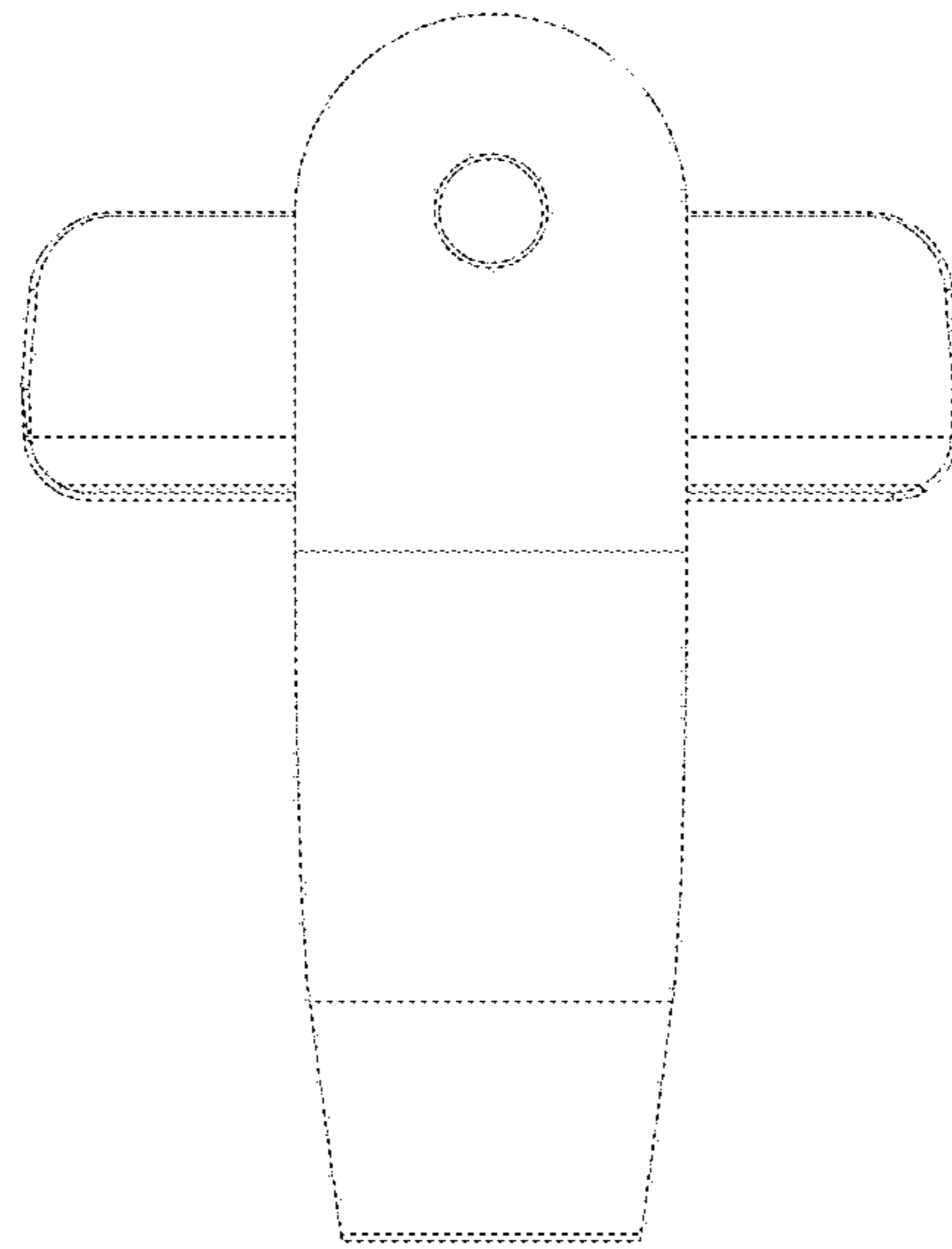


Fig. 6



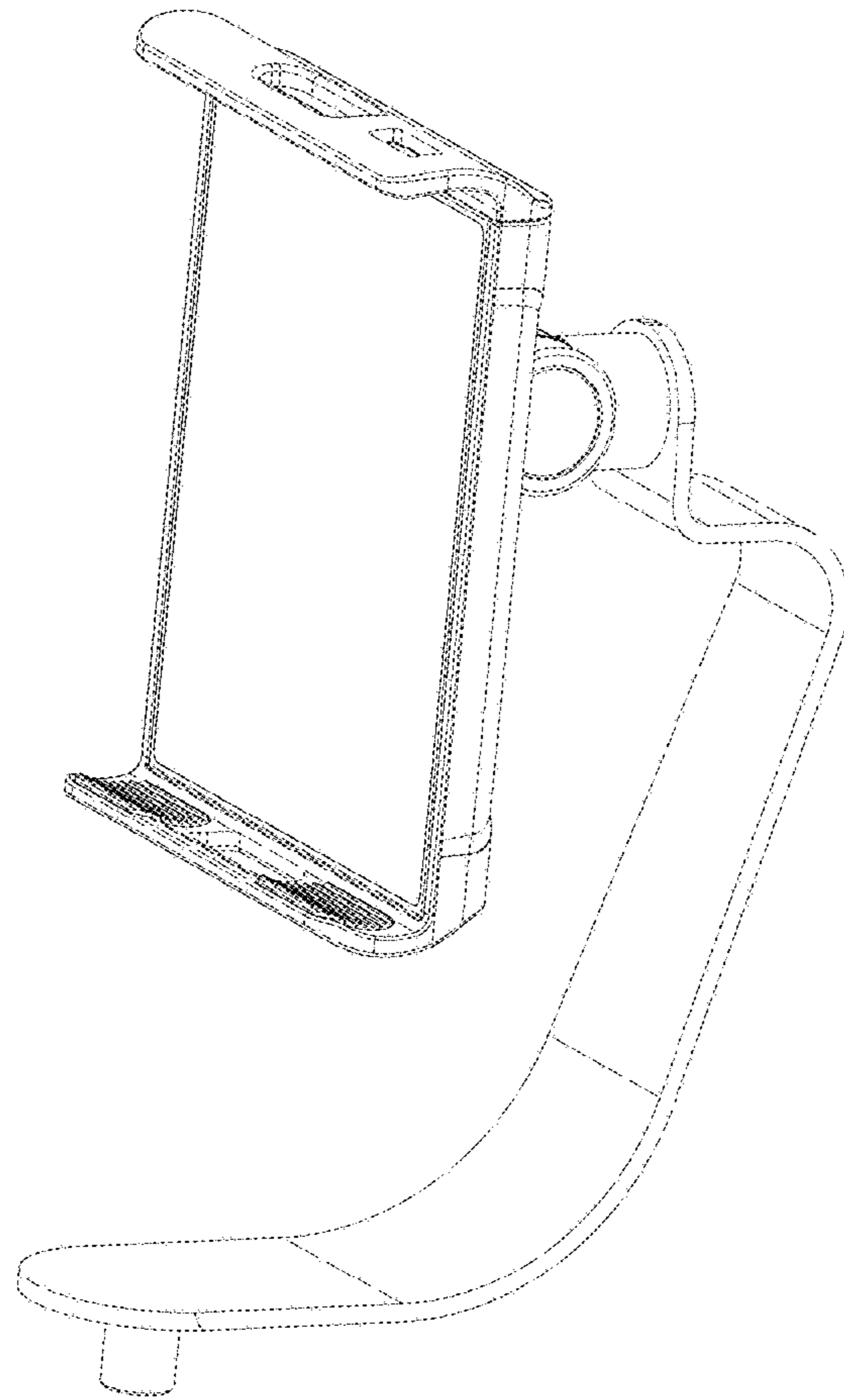


Fig. 7

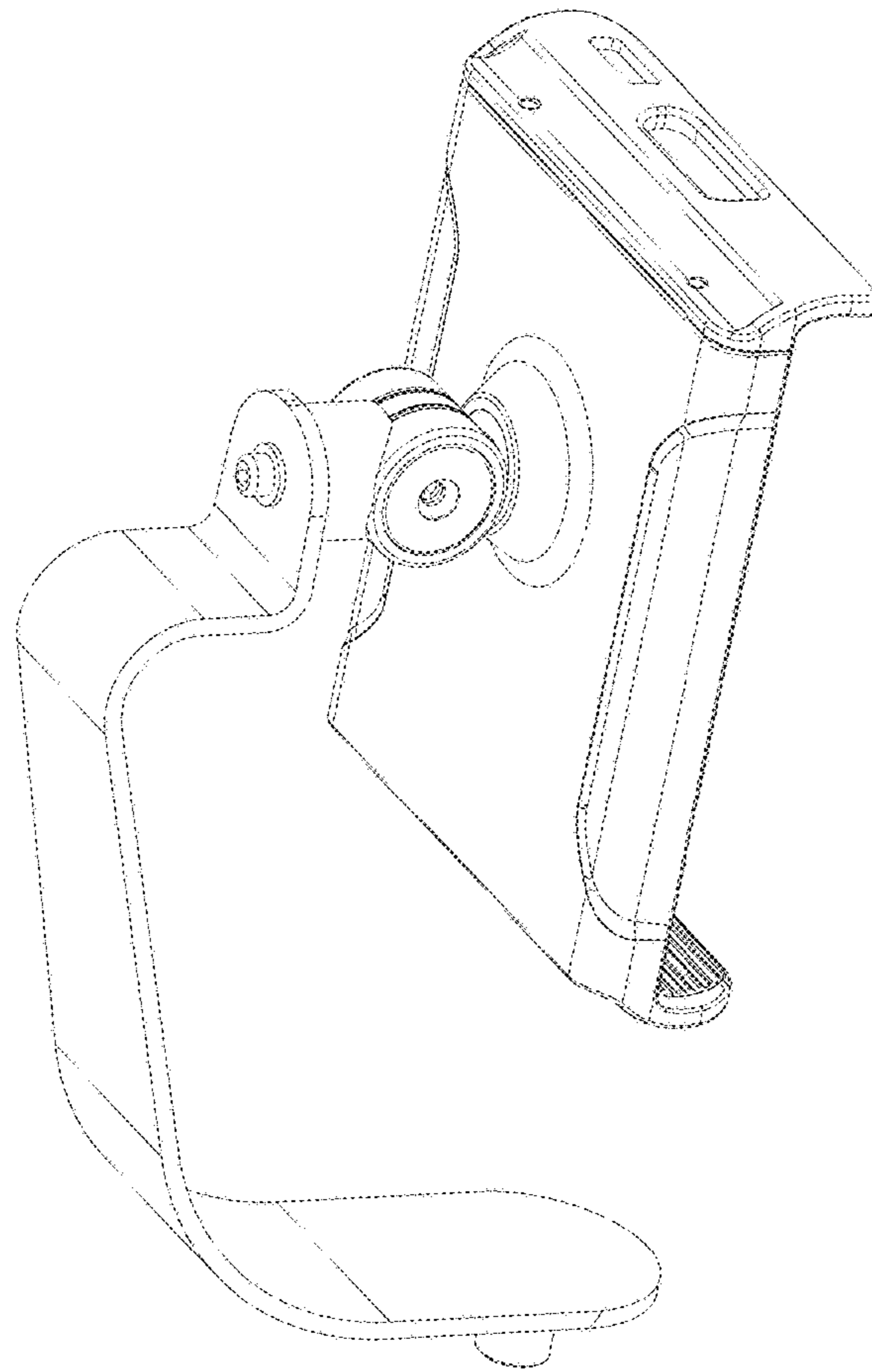


Fig. 8

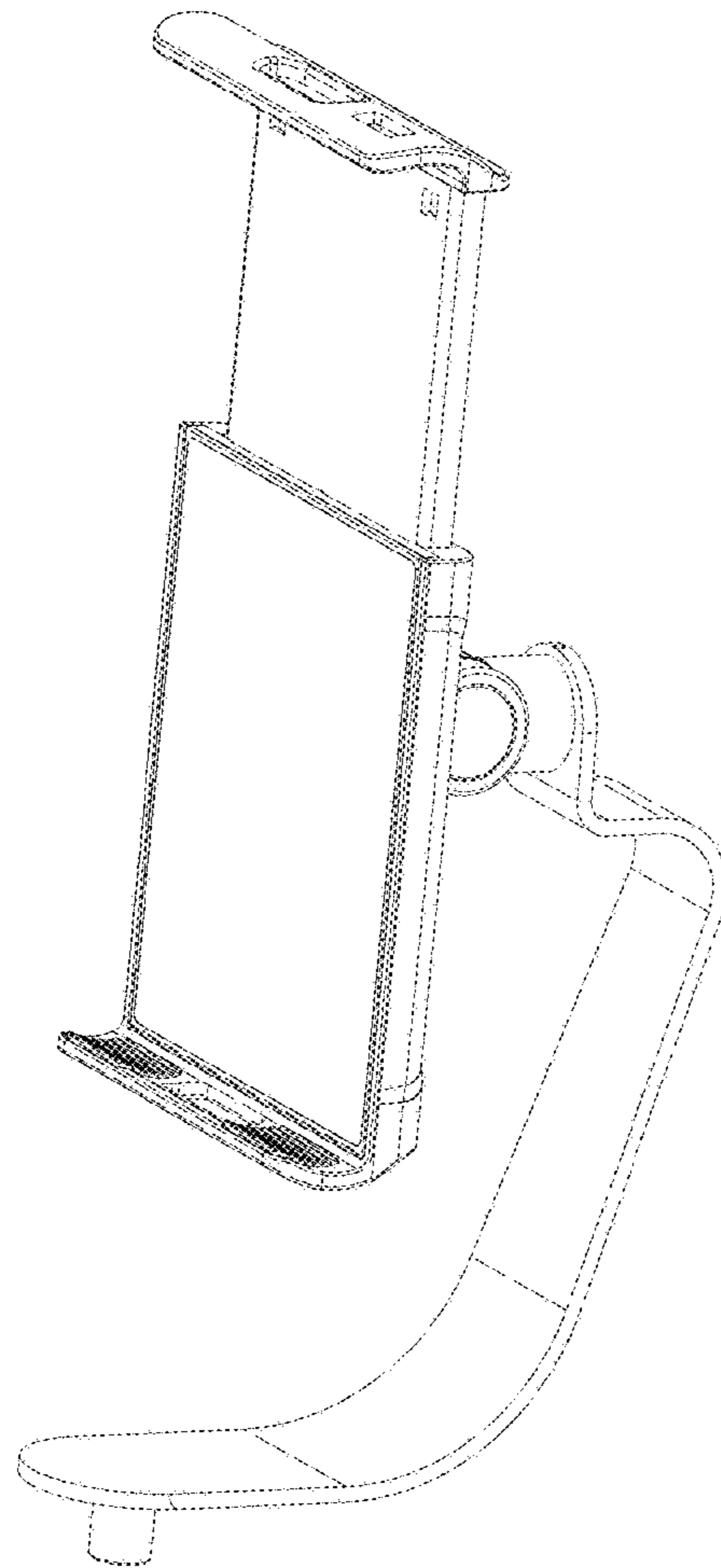


Fig. 9

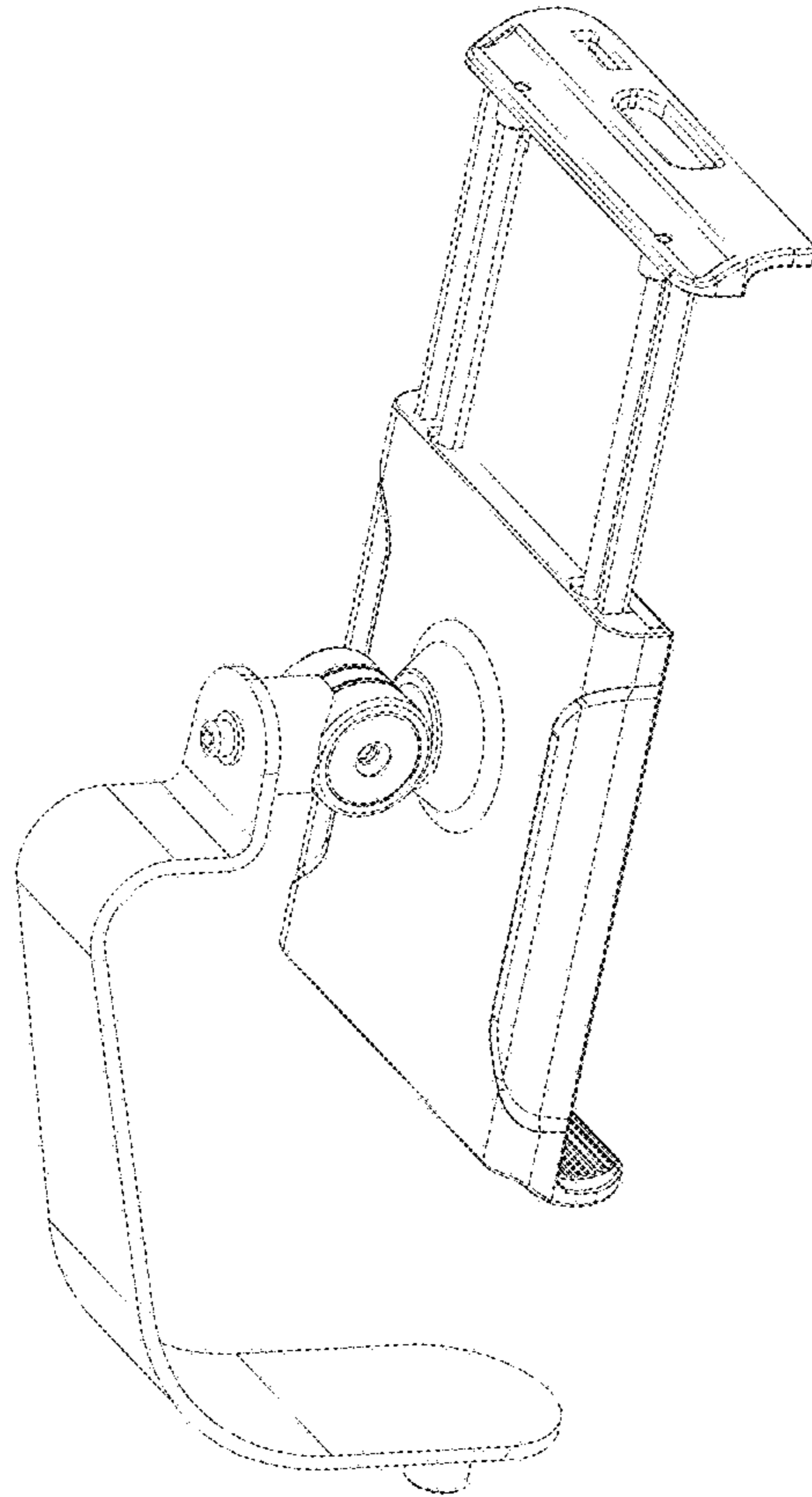


Fig. 10