

US00D842846S

(12) **United States Design Patent**
Mai

(10) **Patent No.:** **US D842,846 S**

(45) **Date of Patent:** **** Mar. 12, 2019**

(54) **MICROPHONE**

(71) Applicant: **Qibin Mai**, Shenzhen (CN)

(72) Inventor: **Qibin Mai**, Shenzhen (CN)

(73) Assignee: **SHENZHEN XUNWEIJIA TECHNOLOGY CO., LTD.**, Shenzhen (CN)

(**) Term: **15 Years**

(21) Appl. No.: **29/636,783**

(22) Filed: **Feb. 12, 2018**

(51) **LOC (11) Cl.** **14-01**

(52) **U.S. Cl.**
USPC **D14/225**

(58) **Field of Classification Search**
USPC D14/221, 225, 226, 227, 228, 229, 150, D14/154, 155, 158, 160, 172
CPC H04R 19/04; H04R 19/00; H04R 1/406; H04R 1/08; H04R 1/04; H04R 1/326; H04R 29/004; H04R 2410/00; H04R 2410/01; H04R 2410/03; H04R 2410/05; H04R 2410/07; H04R 17/02

See application file for complete search history.

(56) **References Cited**

U.S. PATENT DOCUMENTS

4,383,487 A * 5/1983 Fitzner A47F 5/04 108/150
4,501,201 A * 2/1985 Fitzner F16M 11/041 108/150

D400,540 S * 11/1998 Cruver, IV D14/228
D447,131 S * 8/2001 Hough D14/228
D516,546 S * 3/2006 Sobol D14/228
D604,274 S * 11/2009 Durrett D14/228
D826,908 S * 8/2018 Stillerman D14/227
D834,004 S * 11/2018 Chen D14/226
D835,612 S * 12/2018 Tong D14/225
2006/0078135 A1 * 4/2006 Royer H04R 9/048 381/176

* cited by examiner

Primary Examiner — Barbara Fox

Assistant Examiner — Messina L Smith

(74) *Attorney, Agent, or Firm* — Law Offices of Steven W. Weinrieb

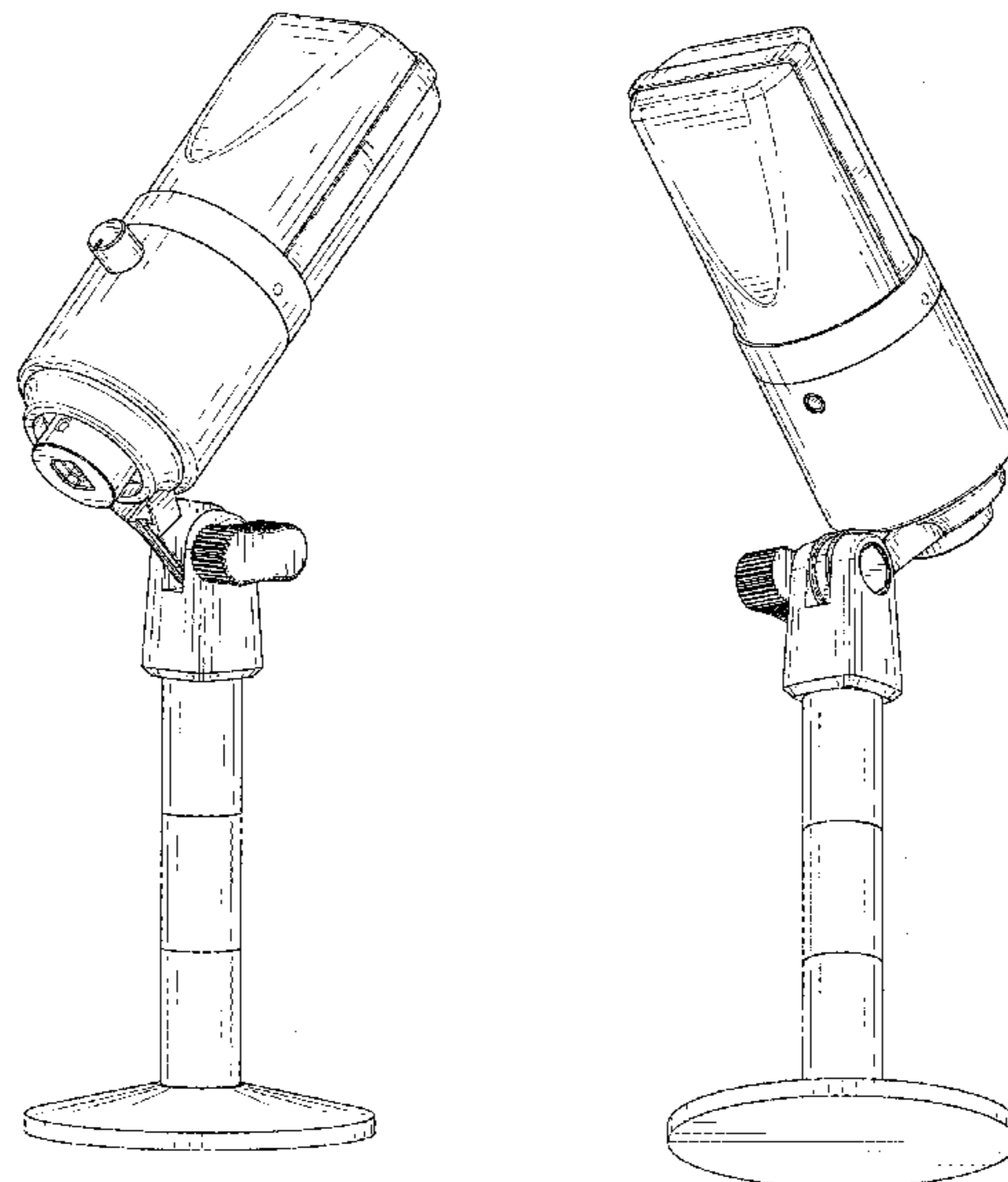
(57) **CLAIM**

The ornamental design for a microphone, as shown and described.

DESCRIPTION

FIG. 1 is a front, right side, perspective view of a microphone showing my new design.
FIG. 2 is a rear, left side, bottom perspective view thereof;
FIG. 3 is a rear elevational view thereof;
FIG. 4 is a front elevational view thereof;
FIG. 5 is a right side elevational view thereof;
FIG. 6 is a left side elevational view thereof;
FIG. 7 is a top plan view thereof; and,
FIG. 8 is a bottom plan view thereof.

1 Claim, 8 Drawing Sheets



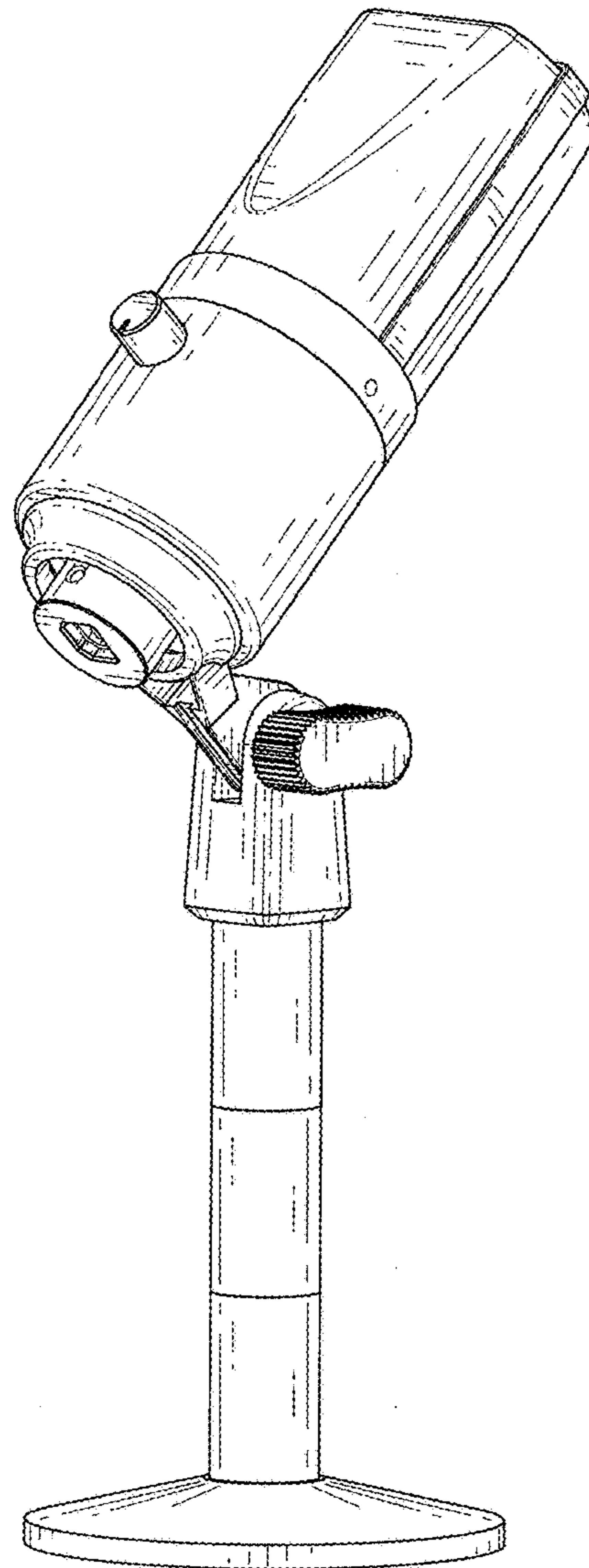


FIG. 1

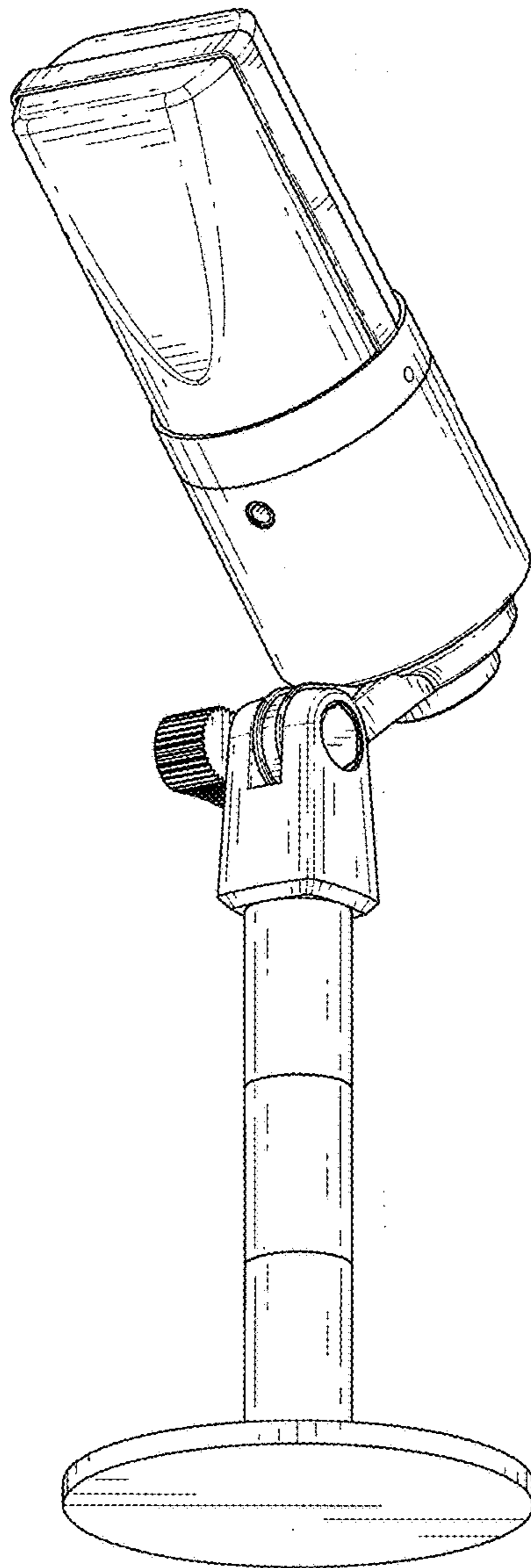


FIG. 2

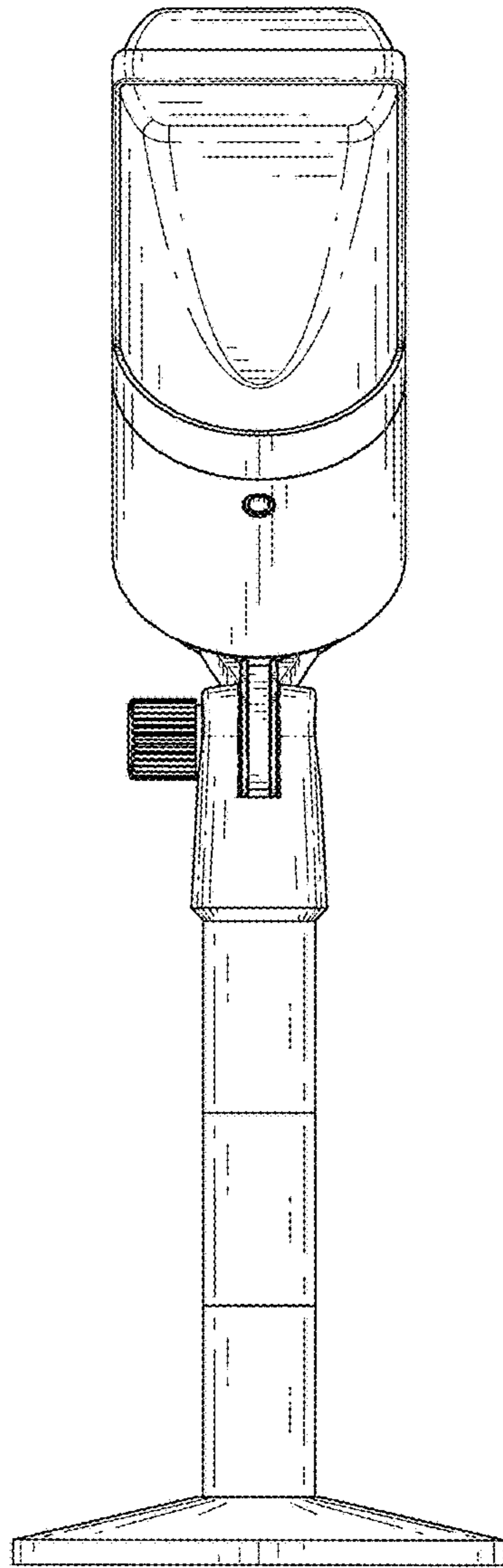


FIG. 3

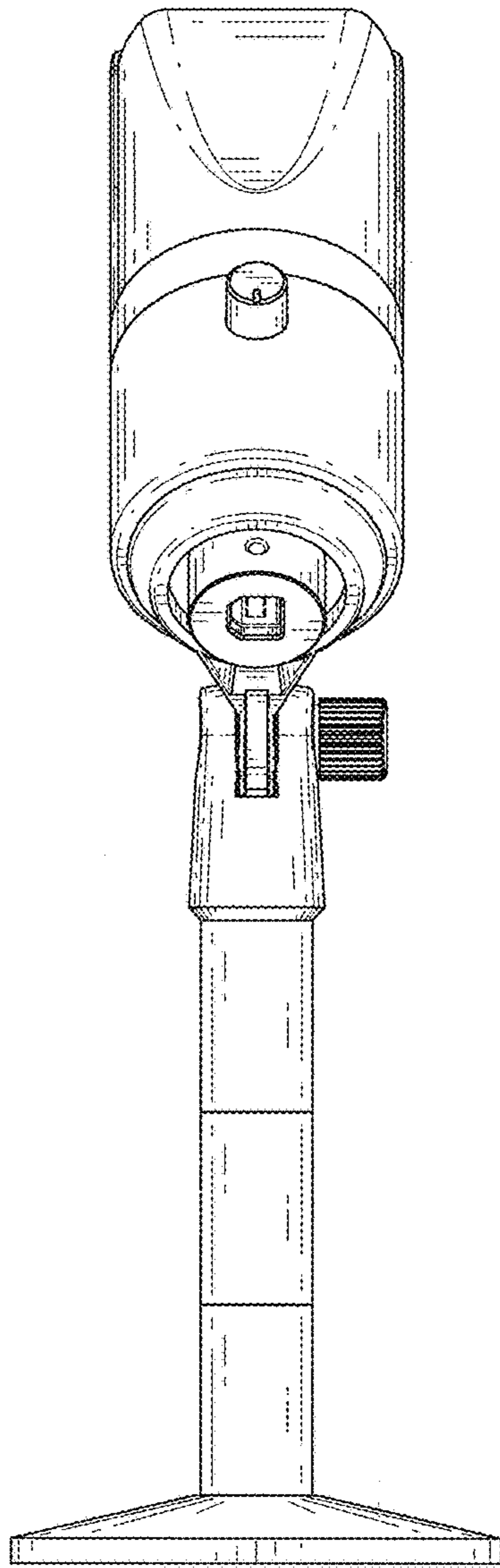


FIG. 4

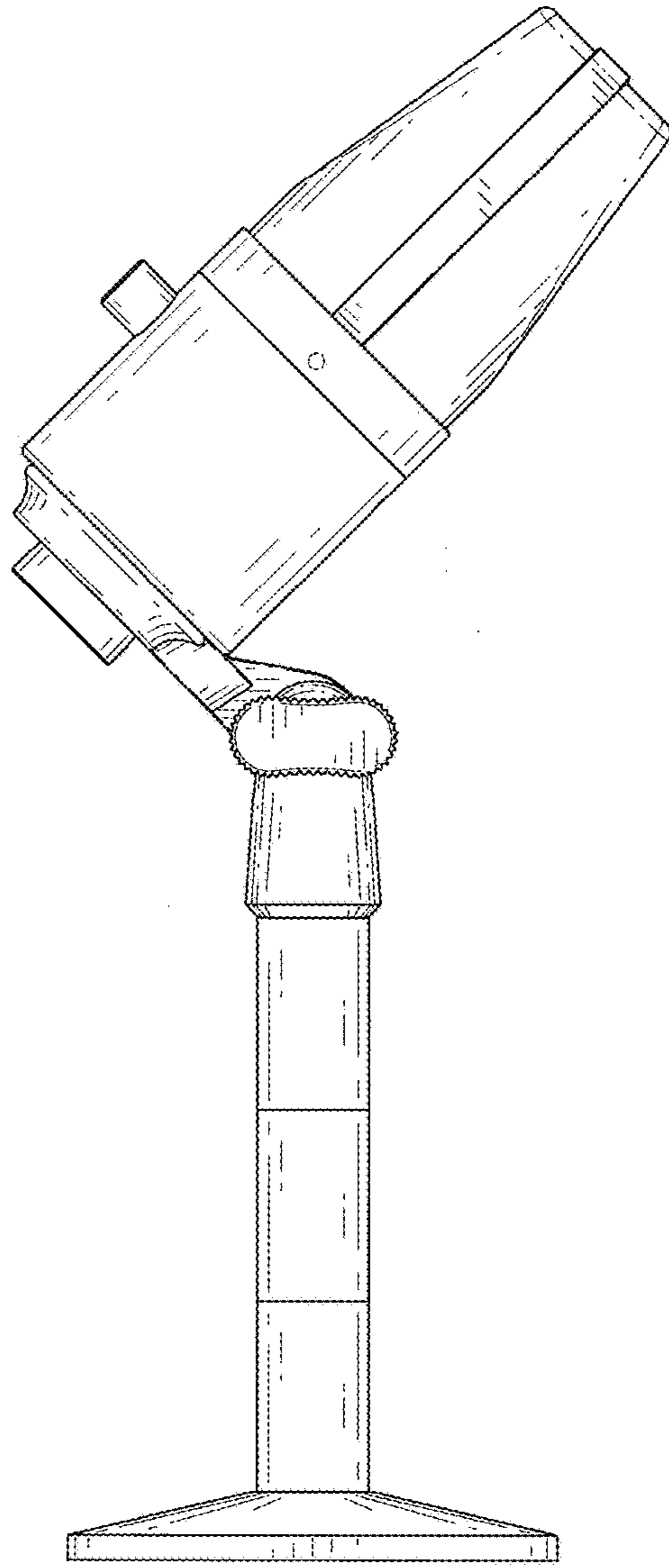


FIG. 5

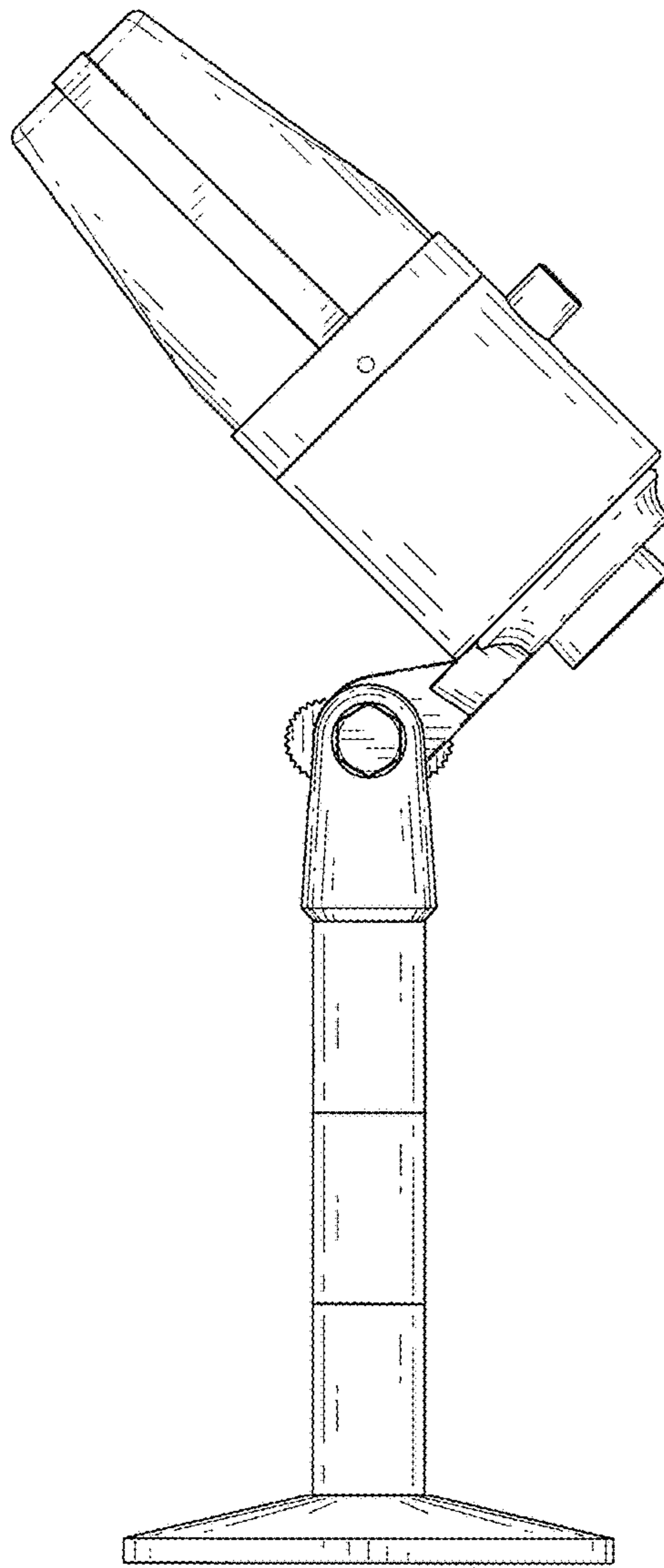


FIG. 6

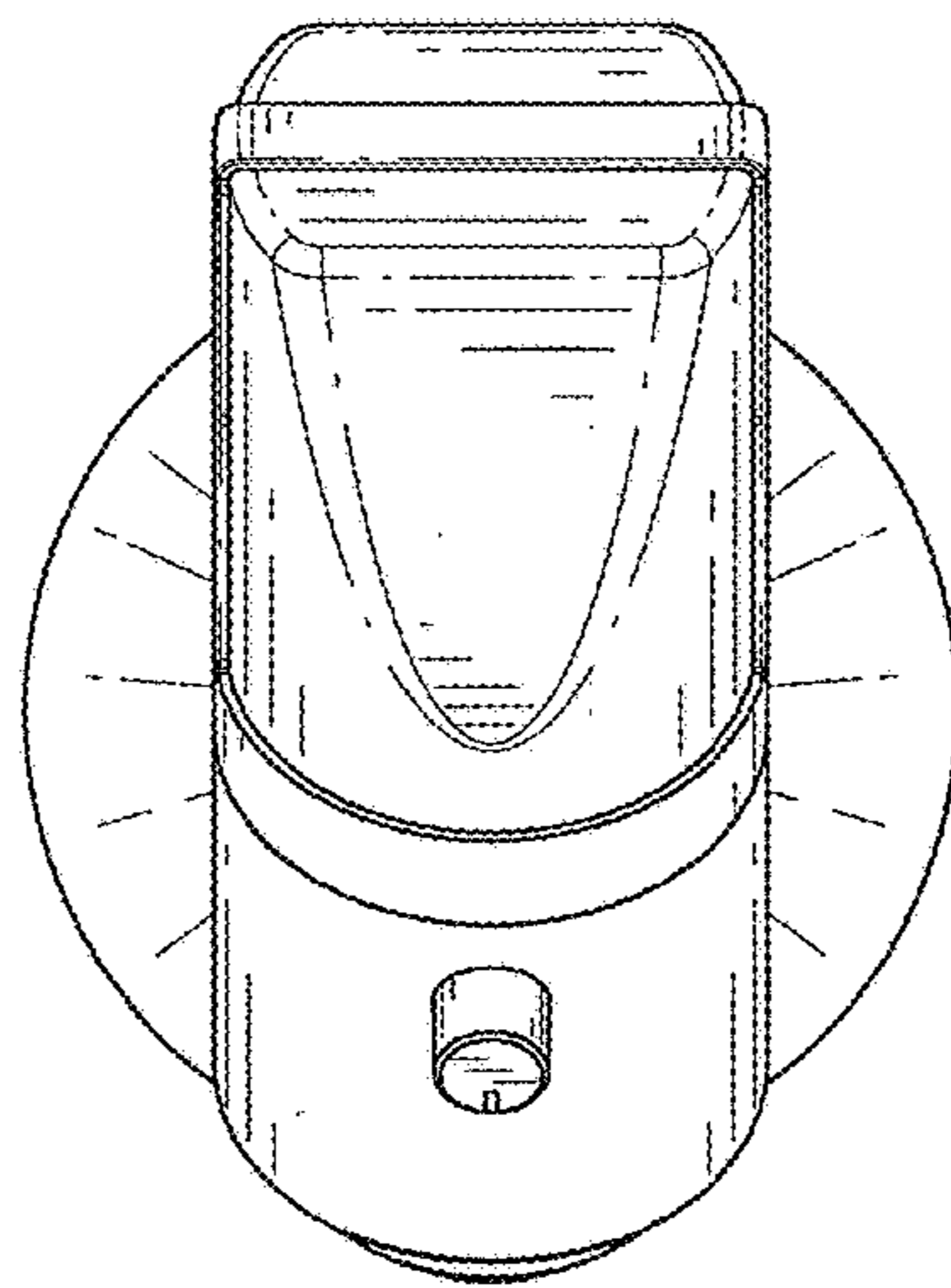


FIG. 7

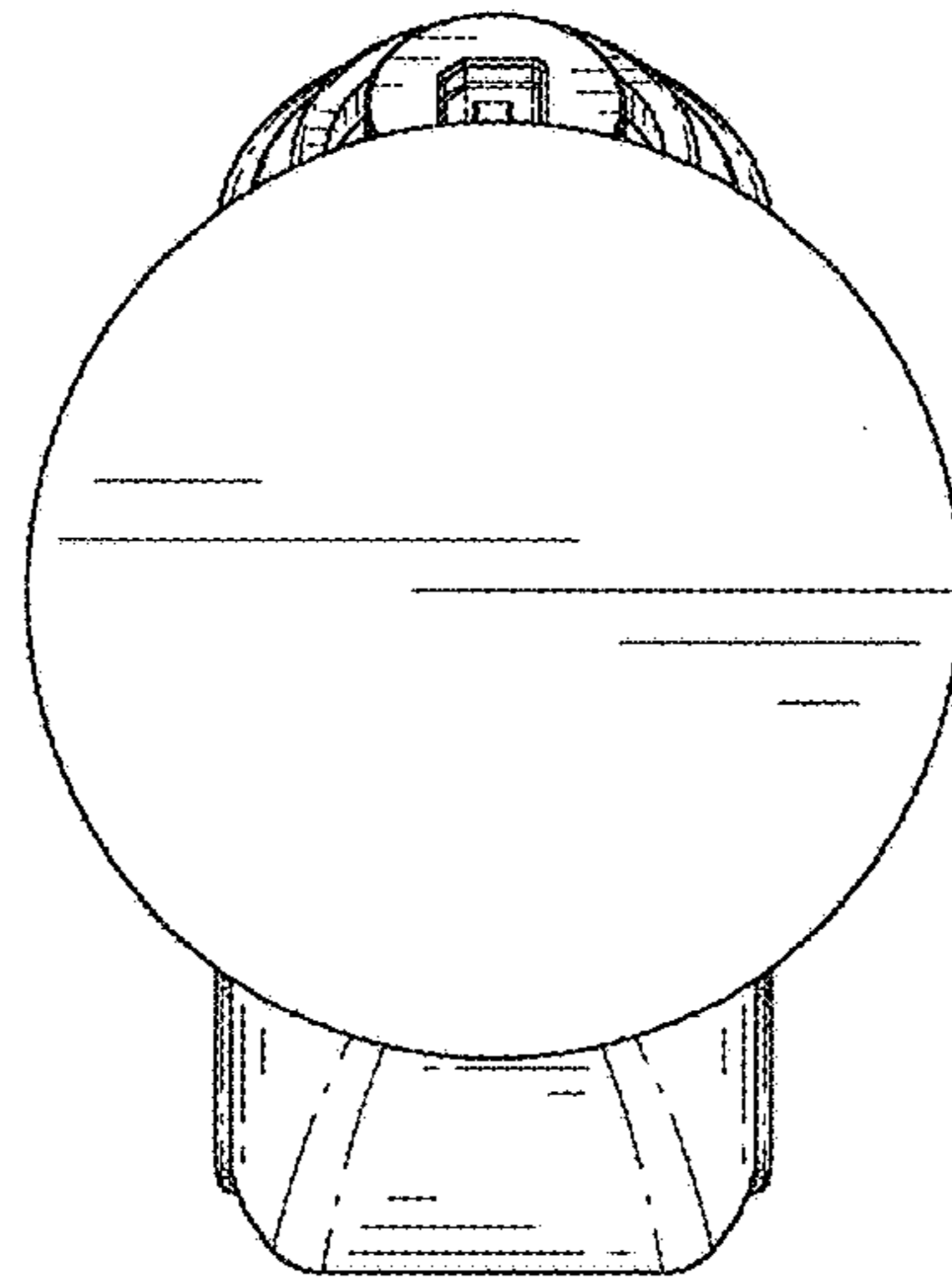


FIG. 8