

US00D842844S

(12) **United States Design Patent**
Li

(10) **Patent No.:** **US D842,844 S**
(45) **Date of Patent:** **** Mar. 12, 2019**

- (54) **WIRELESS EARPHONE**
- (71) Applicant: **SHENZHEN SHI KISB ELECTRONIC CO., LTD.**, Shenzhen, Guangdong (CN)
- (72) Inventor: **Yongli Li**, Guangdong (CN)
- (73) Assignee: **SHENZHEN SHI KISB ELECTRONIC CO., LTD.**, Shenzhen (CN)
- (**) Term: **15 Years**
- (21) Appl. No.: **29/621,569**
- (22) Filed: **Oct. 10, 2017**
- (30) **Foreign Application Priority Data**

Apr. 10, 2017 (CN) 2017 3 0114171

- (51) **LOC (11) Cl.** **14-01**
- (52) **U.S. Cl.**
USPC **D14/223**
- (58) **Field of Classification Search**
USPC D14/223, 205; D24/174; 181/129, 130, 181/135; 379/430, 431; 381/380, 381, 381/374, 74; 455/90.3, 575.1, 569.1
CPC H04R 1/1066; H04R 1/10; H04R 25/00; H04R 1/105; H04R 1/1091; H04R 5/033; H04R 5/0335
See application file for complete search history.

(56) **References Cited**

U.S. PATENT DOCUMENTS

- D207,206 S * 3/1967 Geib D24/174
- 3,440,365 A * 4/1969 Hazell H04M 1/05
379/430
- D479,834 S * 9/2003 Salazar D14/205
- D480,386 S * 10/2003 Browne D14/223

- D496,653 S * 9/2004 Townsend D14/240
- D512,990 S * 12/2005 Yang D14/205
- D536,692 S * 2/2007 Alwicker D14/188
- D550,657 S * 9/2007 Gan D14/223
- D555,150 S * 11/2007 Christopher D14/223
- D559,836 S * 1/2008 Lee D14/223
- D595,272 S * 6/2009 Kim D14/223
- D597,084 S * 7/2009 Gondo D14/223
- D597,534 S * 8/2009 Christopher D14/223
- D604,722 S * 11/2009 Mistry D14/223
- D622,855 S * 8/2010 Cano, Jr. D24/174
- D631,470 S * 1/2011 Yoneyama D14/223
- D652,822 S * 1/2012 Lee D14/223
- D658,157 S * 4/2012 McManigal D14/205
- D666,580 S * 9/2012 Lee D14/223
- D676,026 S * 2/2013 Lee D14/223
- D684,699 S * 6/2013 Heaysman D24/174
- D684,700 S * 6/2013 Heaysman D24/174
- D685,481 S * 7/2013 Heaysman D24/174
- D711,356 S * 8/2014 Yang D14/223
- D742,861 S * 11/2015 Miyake D14/223
- D764,445 S * 8/2016 Czaniecki D14/223

(Continued)

Primary Examiner — Paula Allen Greene

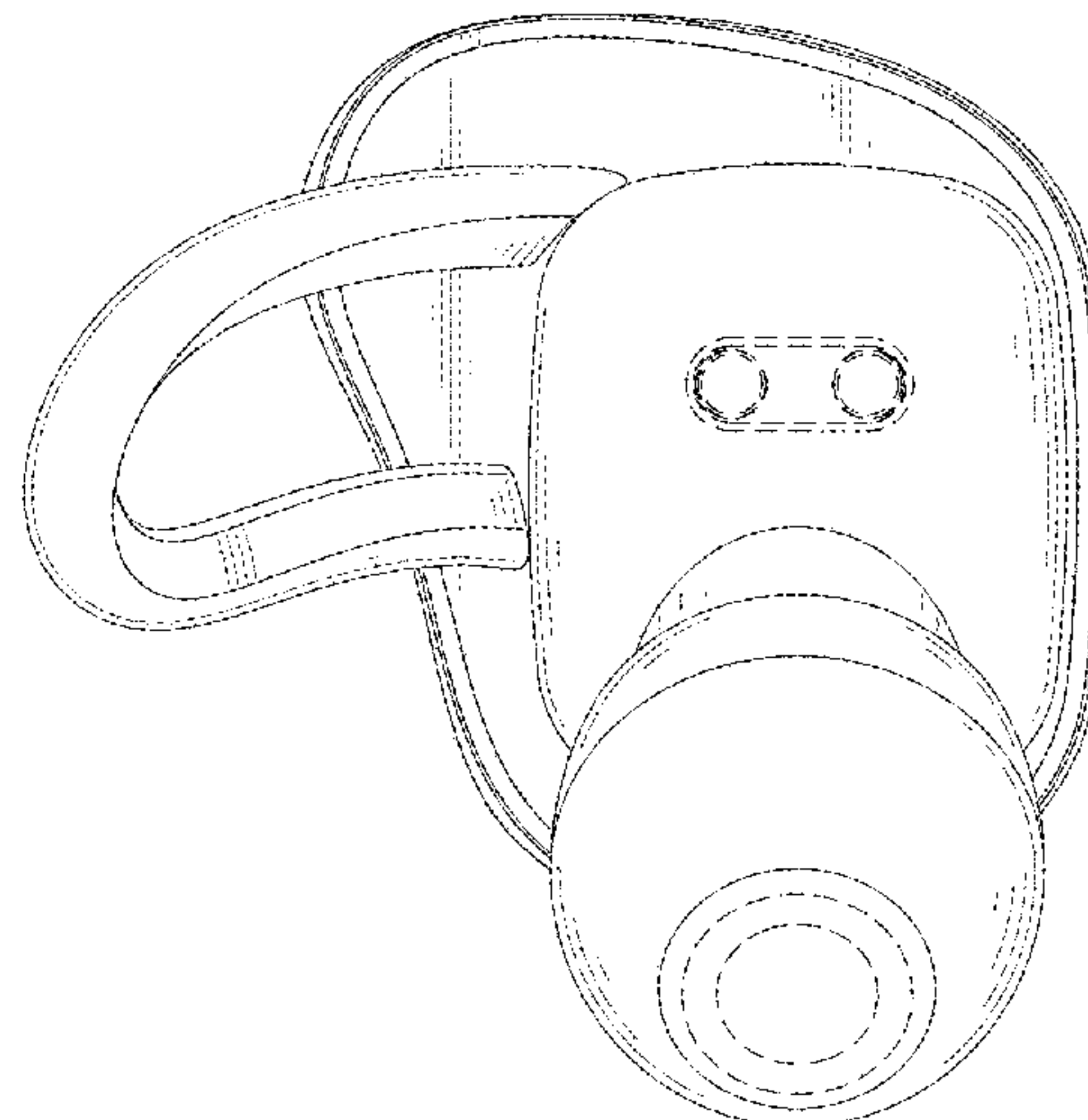
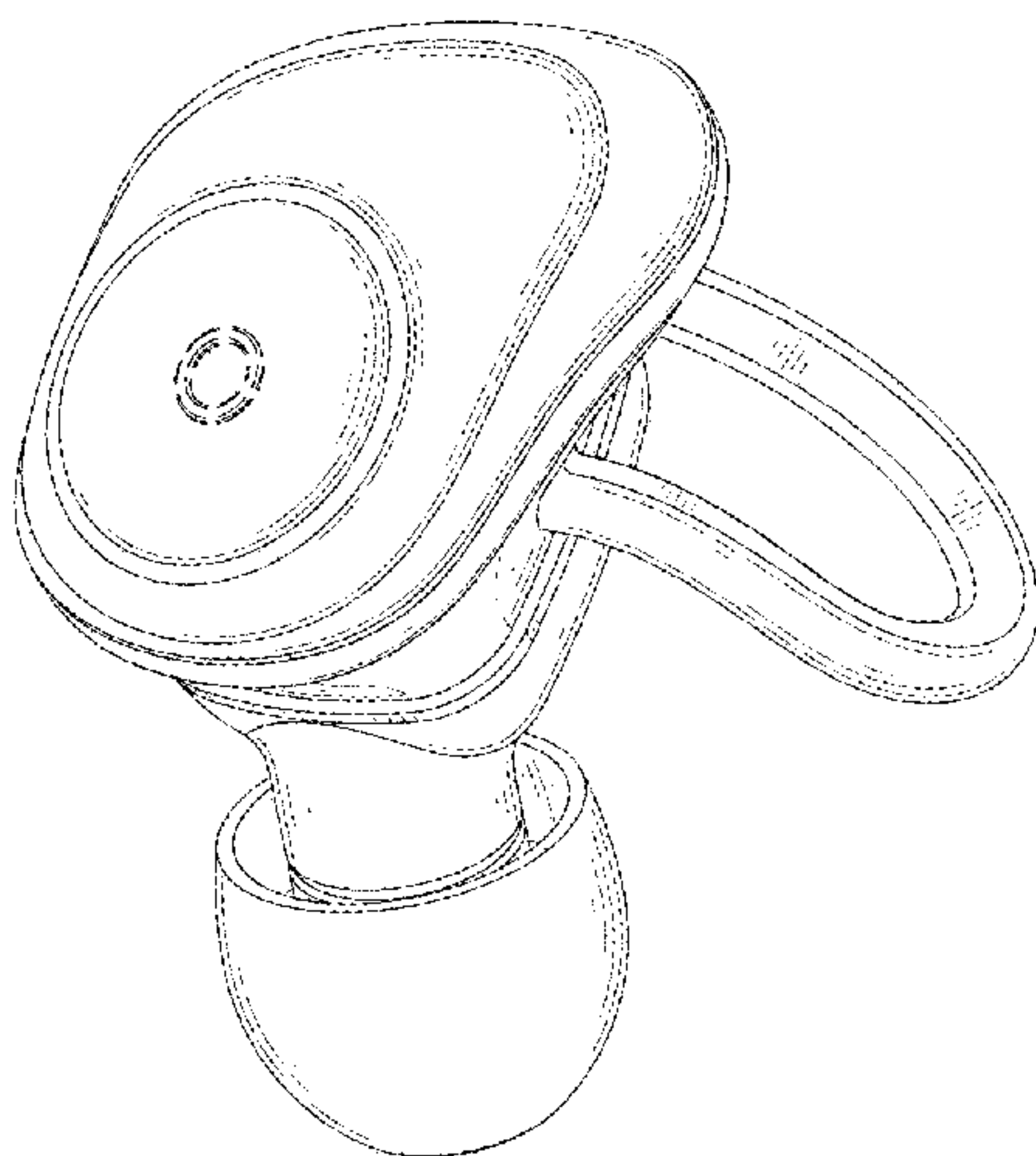
(57) **CLAIM**

The ornamental design for a wireless earphone, as shown and described.

DESCRIPTION

FIG. 1 is a perspective view of a wireless earphone showing my new design;
 FIG. 2 is a front elevational view thereof;
 FIG. 3 is a rear elevational view thereof;
 FIG. 4 is a left side view thereof;
 FIG. 5 is a right side view thereof;
 FIG. 6 is a top plan view thereof; and,
 FIG. 7 is a bottom plan view thereof.
 The broken lines in the drawings illustrate portions of the wireless earphone which form no part of the claimed design.

1 Claim, 7 Drawing Sheets



(56)

References Cited

U.S. PATENT DOCUMENTS

D767,532 S * 9/2016 Jen D14/205
9,510,076 B2 * 11/2016 Lee H04R 1/023
D786,216 S * 5/2017 Silva D14/205
D788,079 S * 5/2017 Son D14/223
D799,452 S * 10/2017 Lee D14/223
D801,950 S * 11/2017 Otani D14/223
D806,879 S * 1/2018 Horbinski D24/174
D808,360 S * 1/2018 Arimoto D14/205
D812,042 S * 3/2018 Xiao D14/223
D813,205 S * 3/2018 Palmborg D14/223
D817,309 S * 5/2018 Czaniecki D14/223
D822,646 S * 7/2018 Dang D14/223
D824,359 S * 7/2018 Czaniecki D14/205
D827,616 S * 9/2018 Lian D14/223
2009/0304220 A1 * 12/2009 Fujikura H04R 1/1091
381/380
2013/0259286 A1 * 10/2013 Chung H04R 1/1016
381/380
2017/0026738 A1 * 1/2017 Tang H04R 1/1091

* cited by examiner

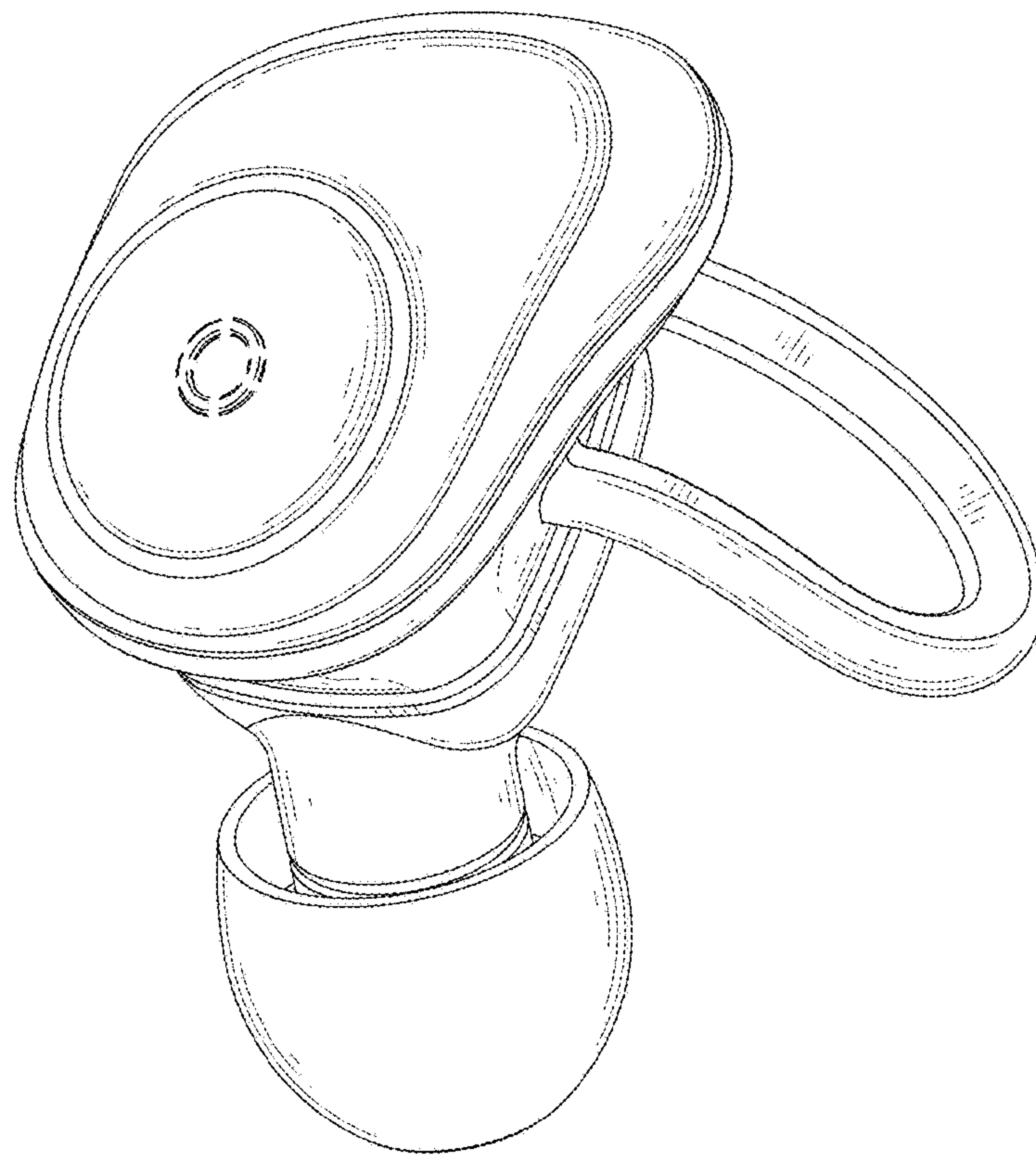


FIG. 1

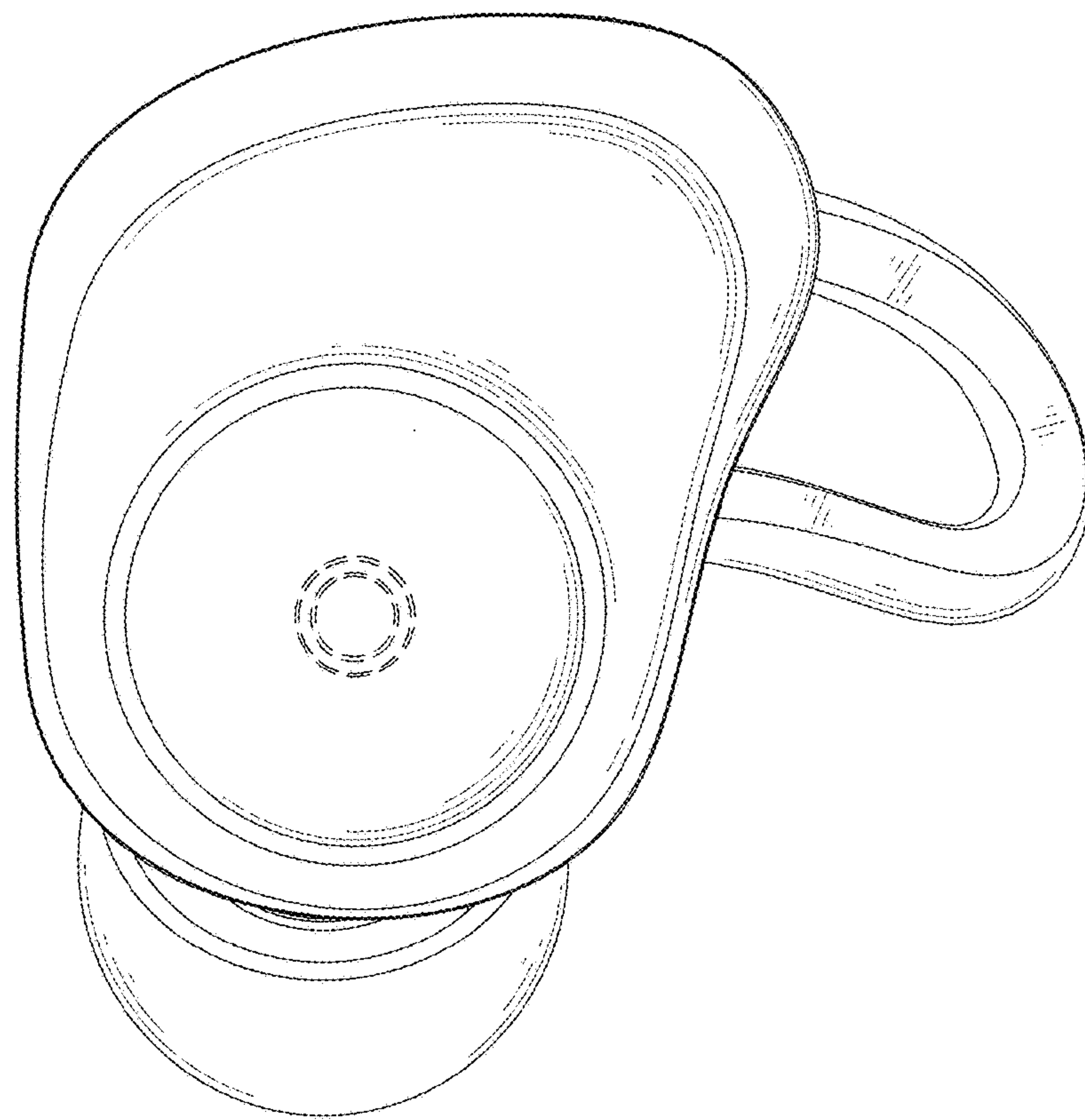


FIG. 2

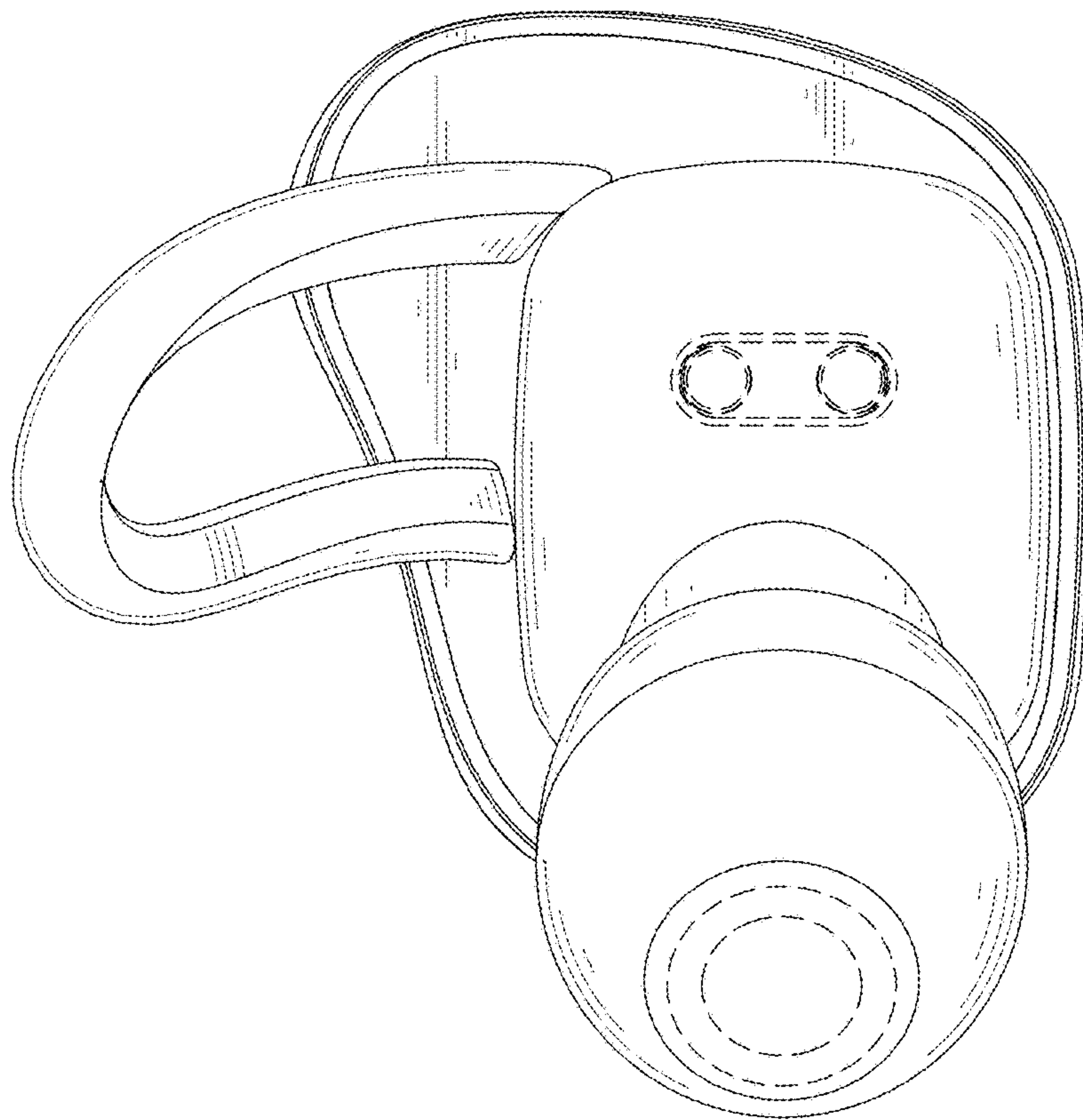


FIG. 3

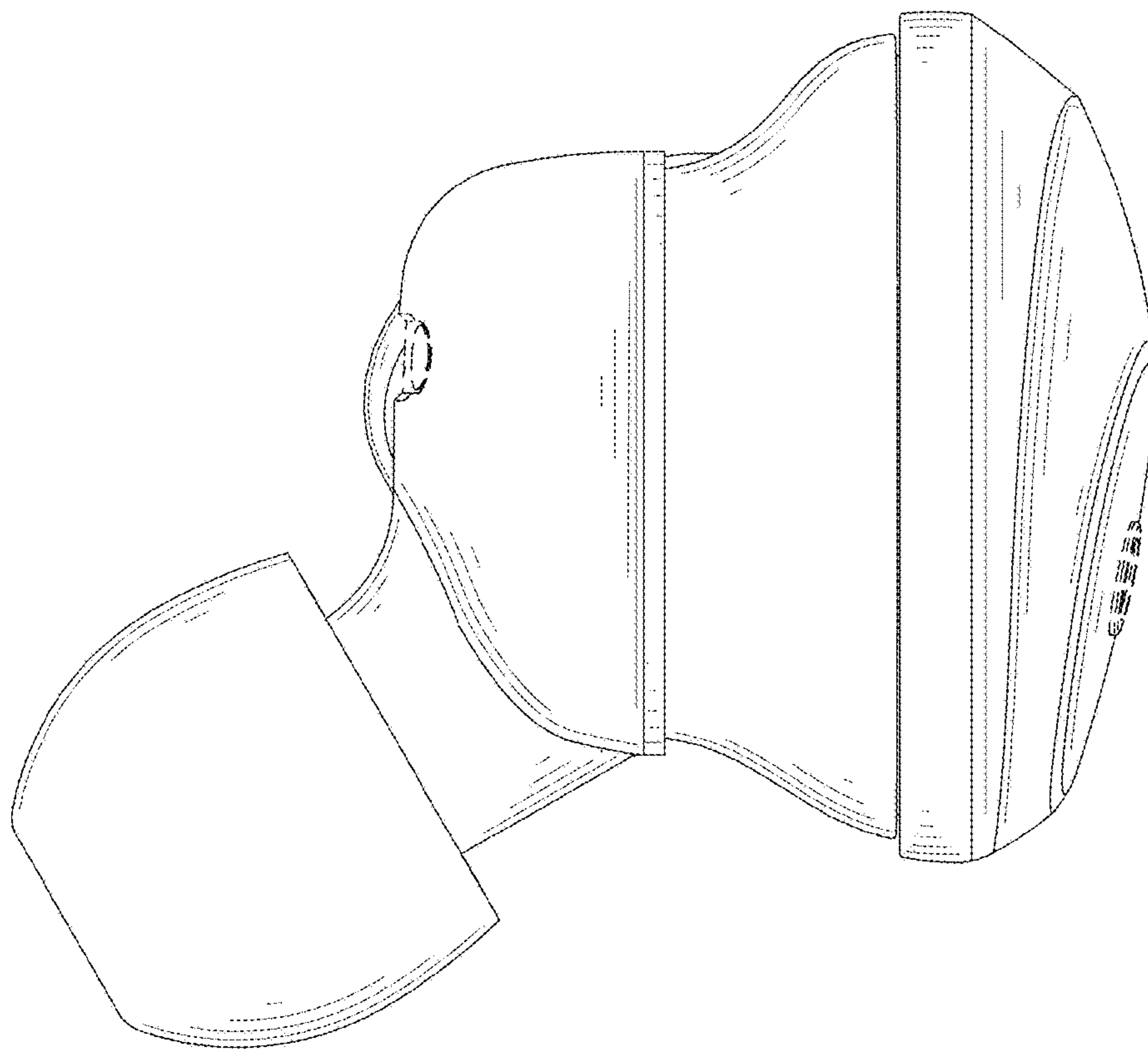


FIG. 4

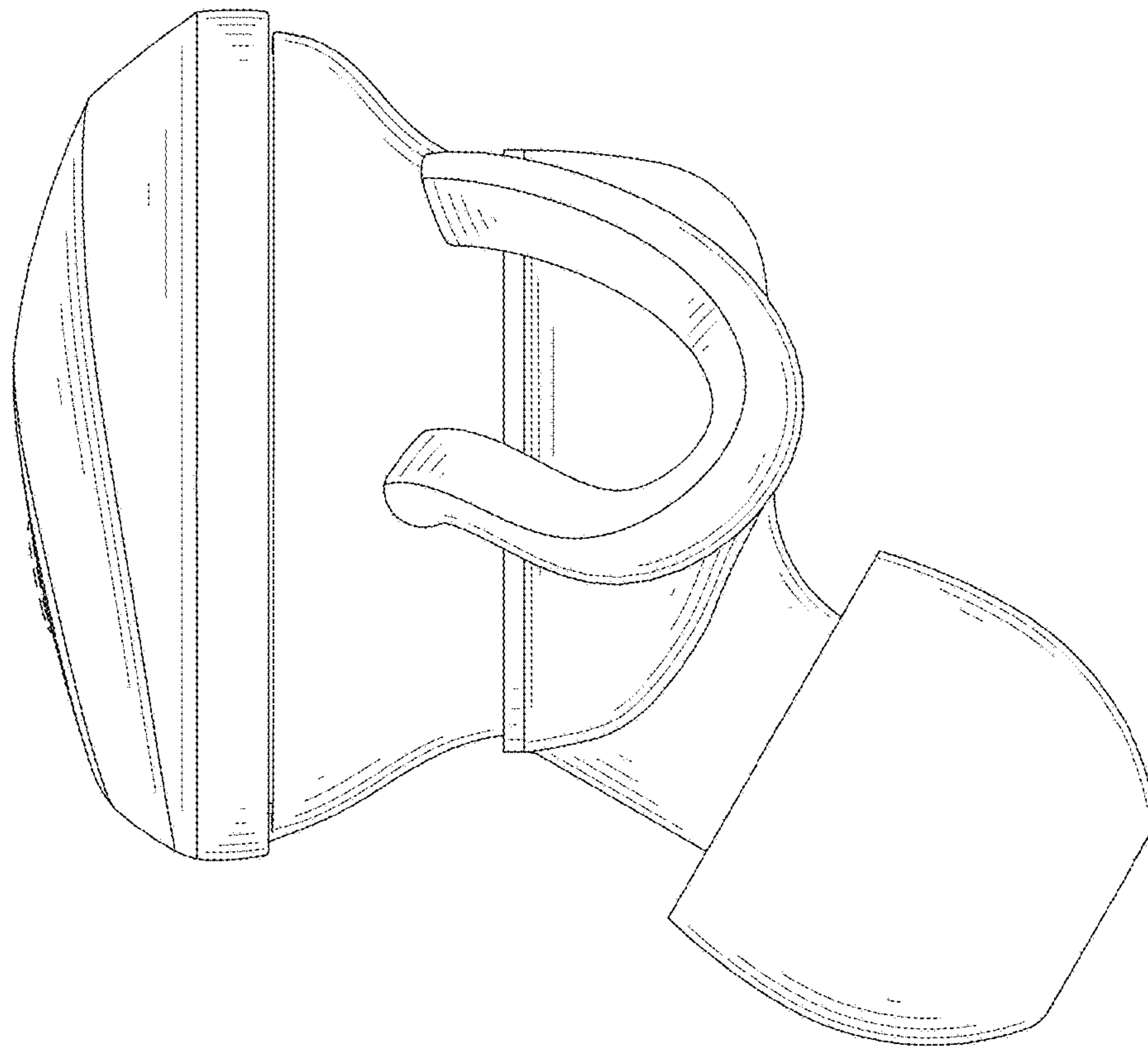


FIG. 5

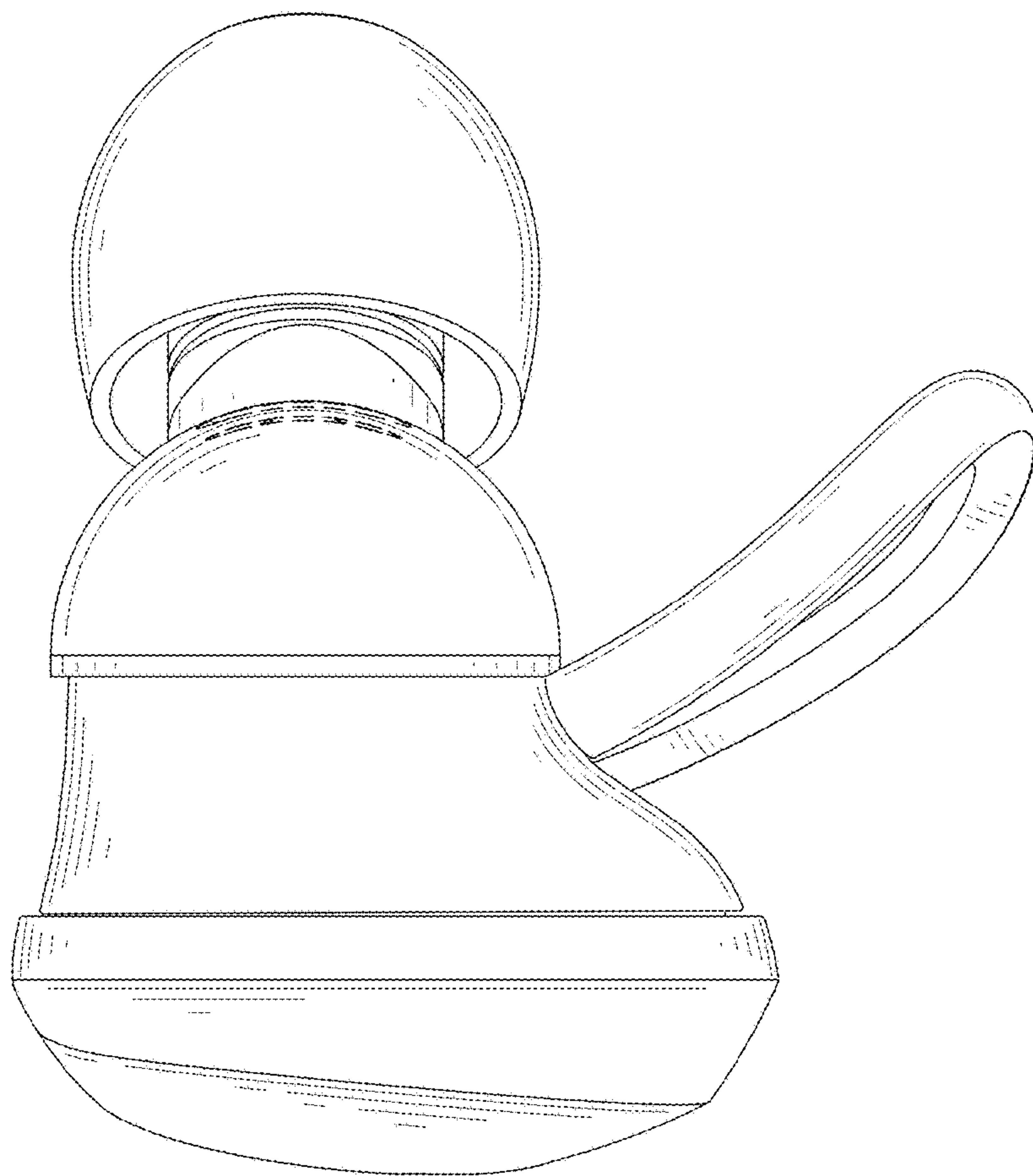


FIG. 6

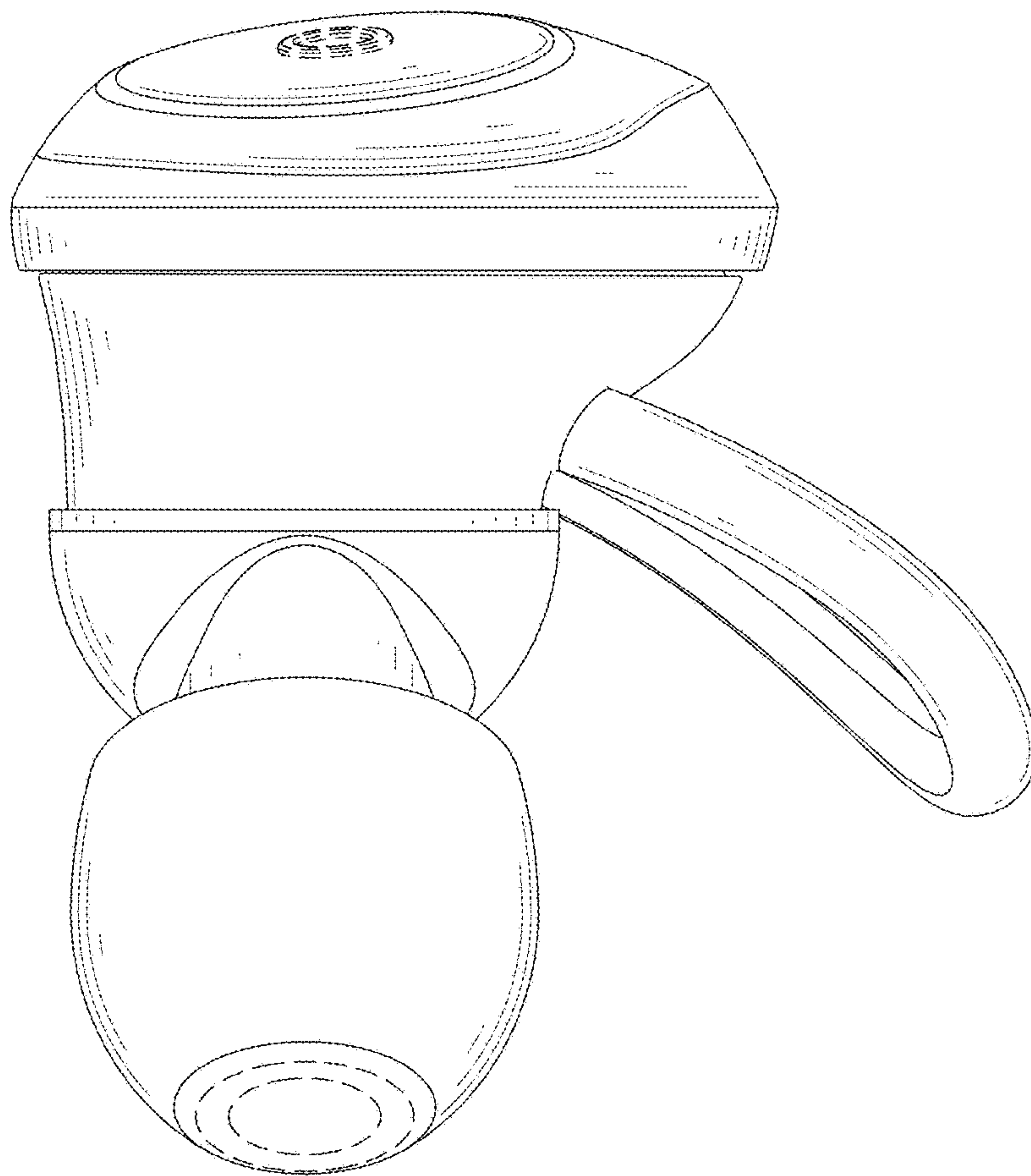


FIG. 7