

US00D842843S

(12) **United States Design Patent**
Paschke et al.

(10) **Patent No.:** **US D842,843 S**
(45) **Date of Patent:** **** Mar. 12, 2019**

- (54) **EAR BUDS FOR HEADSET**
- (71) Applicant: **Fitbit, Inc.**, San Francisco, CA (US)
- (72) Inventors: **Brian Dennis Paschke**, San Francisco, CA (US); **Mark Woolhiser Huang**, Burlingame, CA (US); **Gregoire Ludovic Vincent Vandebussche**, San Francisco, CA (US); **Jonah Avram Becker**, San Francisco, CA (US); **Derek Jenchia Loh**, San Carlos, CA (US); **Bernhard Wildner**, San Francisco, CA (US)
- (73) Assignee: **Fitbit, Inc.**, San Francisco, CA (US)
- (**) Term: **15 Years**
- (21) Appl. No.: **29/614,464**
- (22) Filed: **Aug. 18, 2017**

Related U.S. Application Data

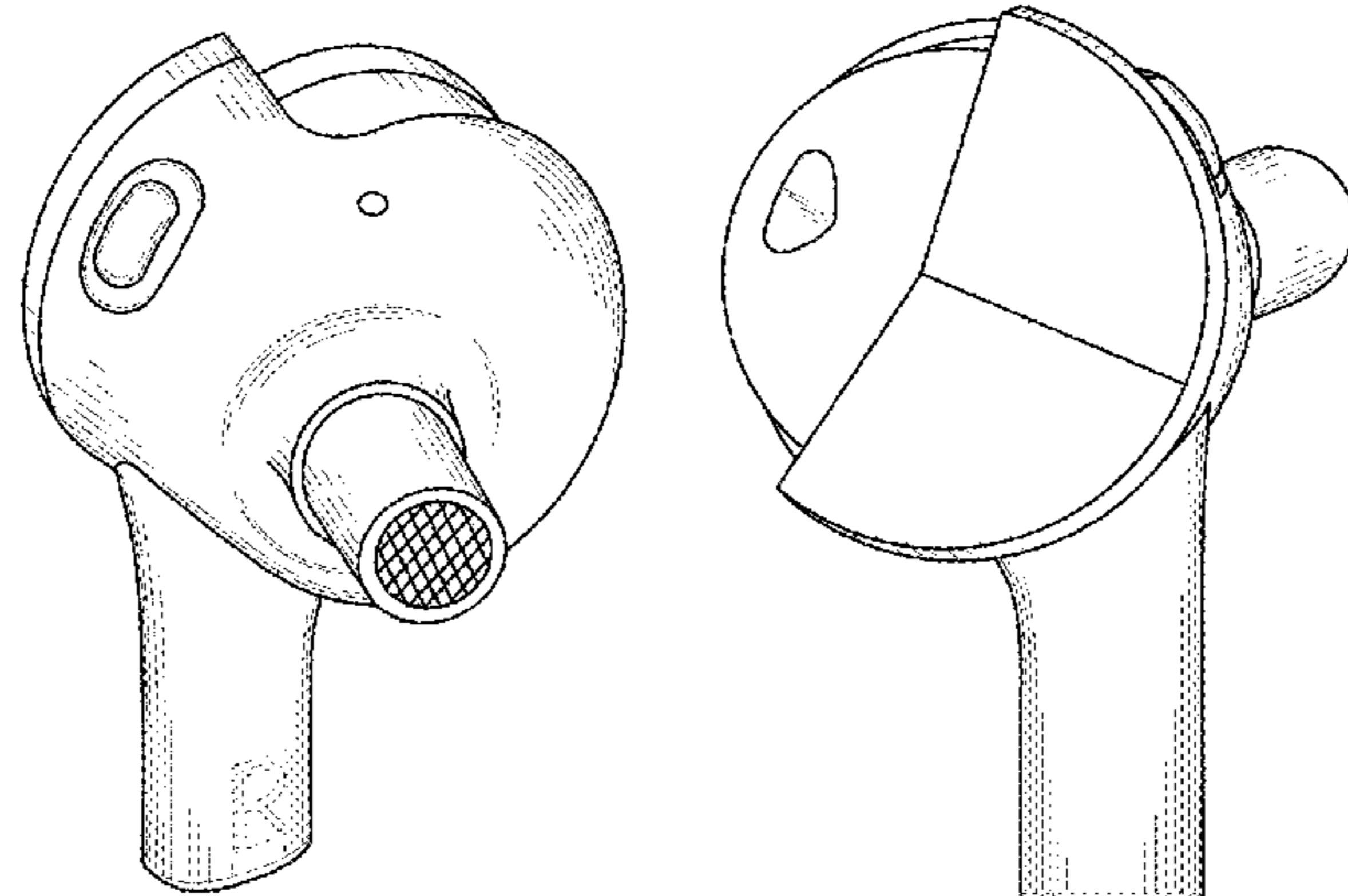
- (63) Continuation-in-part of application No. 29/579,651, filed on Sep. 30, 2016, now Pat. No. Des. 817,920.
- (51) **LOC (11) Cl.** **14-01**
- (52) **U.S. Cl.**
USPC **D14/223**; D14/205
- (58) **Field of Classification Search**
USPC D14/205, 223, 188, 192; D24/174; 181/129, 130, 135; 379/430, 431; 381/380, 381, 74; 455/90.3, 575.1, 569.1
CPC H04R 1/1016; H04R 1/10; H04R 25/00; H04R 25/02; H04R 5/033; H04R 5/0335; H04R 1/1066; H04R 1/105
See application file for complete search history.

References Cited

U.S. PATENT DOCUMENTS

- 904,715 A * 11/1908 McWilliams 128/864
- 1,528,080 A 3/1925 Scher
- 2,430,229 A 11/1947 Kelsey
- 2,478,376 A 8/1949 De Swart

- D206,665 S 1/1967 Sanzone
- D206,797 S 1/1967 Kusisto
- 3,440,365 A 4/1969 Bryant et al.
- D258,091 S 1/1981 Reed et al.
- D275,842 S 10/1984 Gilbert et al.
- 4,579,112 A 4/1986 Scott
- 4,702,238 A * 10/1987 Scott A61F 11/08
128/867
- D317,593 S 6/1991 Rowen
- D326,655 S 6/1992 Iribe
- D339,806 S 9/1993 Grinkus
- D351,828 S 10/1994 Pucci et al.
- D366,262 S 1/1996 Inaba
- 5,579,669 A 12/1996 Kind et al.
- 5,659,156 A 8/1997 Mauney et al.
- D395,891 S 7/1998 Gerba et al.
- D406,187 S 3/1999 Garcia-Gutierrez
- D409,510 S 5/1999 McDonald
- D415,496 S 10/1999 Gerba et al.
- D421,014 S 2/2000 Smith
- D424,577 S 5/2000 Backs et al.
- D427,994 S 7/2000 Pirelli
- 6,122,369 A 9/2000 Hwang et al.
- 6,122,388 A 9/2000 Feldman
- D435,580 S 12/2000 Grinkus
- D439,574 S 3/2001 Katayama
- 6,386,314 B1 5/2002 Sheehan et al.
- 6,482,516 B1 11/2002 Sadek et al.
- D483,281 S 12/2003 Cobigo
- D496,638 S 9/2004 Deubler, Jr.
- D500,485 S 1/2005 Deguchi
- D511,768 S 11/2005 Naito et al.
- D532,520 S 11/2006 Kampmeier et al.
- D535,642 S 1/2007 Garcia et al.
- D550,202 S 9/2007 Meier et al.
- D557,624 S 12/2007 Coster et al.
- D565,033 S 3/2008 Goransson
- D566,537 S 4/2008 Wen-Po
- D569,841 S 5/2008 Chung et al.
- D572,703 S 7/2008 Ledbetter et al.
- D575,277 S 8/2008 Gaarde et al.
- D578,508 S 10/2008 Wang
- D584,284 S 1/2009 Carr et al.
- D591,274 S 4/2009 Khubani
- D594,442 S 6/2009 Chon et al.
- D597,084 S * 7/2009 Gondo D14/223
- D599,778 S 9/2009 Ando
- D604,269 S 11/2009 Choe
- D604,722 S 11/2009 Mistry
- D605,170 S 12/2009 Keinanen
- D605,628 S 12/2009 Ando
- D637,183 S 5/2011 March
- D640,242 S 6/2011 Fahrendorff et al.



D641,010 S *	7/2011	Kwon	D14/223
D643,830 S	8/2011	Fish		
D647,081 S	10/2011	Kwon		
D649,957 S	12/2011	Fahrendorff et al.		
D652,822 S	1/2012	Lee et al.		
D658,157 S	4/2012	McManigal		
8,175,315 B2	5/2012	Tanaka et al.		
D666,580 S	9/2012	Lee et al.		
D668,244 S	10/2012	Matsumura		
D668,632 S *	10/2012	Enquist	D14/205
D671,523 S *	11/2012	Daniel	D14/206
D673,140 S	12/2012	Kelly et al.		
D673,373 S *	1/2013	Sherman	D4/132
D673,531 S	1/2013	Lee et al.		
D678,242 S *	3/2013	Von Euler	D14/205
D698,026 S	1/2014	Kuwata et al.		
D698,750 S	2/2014	Yoon		
8,743,533 B2	6/2014	Stanley		
D711,356 S	8/2014	Yang		
D712,884 S	9/2014	Krauss et al.		
D722,040 S	2/2015	Tan et al.		
D725,625 S	3/2015	Hsieh et al.		
D726,145 S	4/2015	Hsieh et al.		
D727,871 S	4/2015	Orbach		
D732,509 S	6/2015	Brunner et al.		
D739,852 S	9/2015	Jiang et al.		
D742,861 S	11/2015	Miyake et al.		
D743,381 S	11/2015	Pi et al.		
D743,949 S	11/2015	Miyake et al.		
D745,489 S	12/2015	Bjelle		
D756,959 S	5/2016	Lee et al.		
D764,445 S	8/2016	Czaniecki		
D767,532 S	9/2016	Jen		
D774,490 S	12/2016	Lin		
D775,609 S	1/2017	Lee et al.		
D776,641 S	1/2017	Rochat et al.		
D776,642 S	1/2017	Otani et al.		
D780,154 S	2/2017	Jaynes		
D780,714 S	3/2017	Vogt, Jr. et al.		
D780,721 S	3/2017	Brunner et al.		
D786,216 S	5/2017	Silva et al.		
D788,603 S	6/2017	Liu		
D790,501 S	6/2017	Wang		
D795,109 S	8/2017	Olodort et al.		
D797,079 S	9/2017	Houle		
9,872,097 B2 *	1/2018	Lee	A61B 5/02438
D817,920 S *	5/2018	Paschke	D14/205
D818,457 S *	5/2018	Paschke	D14/218
D822,636 S *	7/2018	Liu	D14/205
D825,533 S *	8/2018	Paschke	D14/223
D829,692 S	10/2018	Paschke et al.		
2007/0116319 A1	5/2007	Hagberg		
2009/0181082 A1	7/2009	Zuniga et al.		
2009/0296975 A1	12/2009	Uchida et al.		
2011/0155147 A1	6/2011	McIntosh		
2012/0087532 A1	4/2012	Yang		
2013/0077815 A1	3/2013	Stephenson		
2016/0073186 A1	3/2016	Searl et al.		
2016/0261946 A1	9/2016	Chen		
2017/0094384 A1	3/2017	Trainer et al.		

OTHER PUBLICATIONS

Chinese Office Action [Brief Description in English], dated Jul. 27, 2017 issued in Application No. CN 201730098280.9.
 U.S. Appl. No. 29/579,651, filed Sep. 30, 2016, Paschke et al.
 U.S. Appl. No. 29/579,652, filed Sep. 30, 2016, Paschke et al.
 U.S. Appl. No. 29/579,653, filed Sep. 30, 2016, Paschke et al.
 U.S. Appl. No. 29/579,654, filed Sep. 30, 2016, Paschke et al.
 U.S. Office Action, dated Sep. 6, 2017, issued in Design U.S. Appl. No. 29/579,651.
 U.S. Restriction Requirement, dated Sep. 15, 2017, issued in Design U.S. Appl. No. 29/579,652.
 U.S. Office Action, dated Sep. 19, 2017, issued in Design U.S. Appl. No. 29/579,653.
 U.S. Office Action, dated Sep. 15, 2017, issued in Design U.S. Appl. No. 29/579,654.

U.S. Notice of Allowance, dated Dec. 27, 2017, issued in Design U.S. Appl. No. 29/579,651.
 U.S. Corrected Notice of Allowability, dated Apr. 11, 2018, issued in Design U.S. Appl. No. 29/579,651.
 U.S. Notice of Allowance, dated Jan. 25, 2018, issued in Design U.S. Appl. No. 29/579,653.
 U.S. Corrected Notice of Allowability, dated Apr. 25, 2018, issued in Design U.S. Appl. No. 29/579,653.
 Chinese Office Action [Brief Description in English], dated Apr. 18, 2018 issued in Application No. CN 201730685081.8.
 U.S. Office Action, dated Nov. 29, 2017, issued in Design U.S. Appl. No. 29/579,652.
 U.S. Notice of Allowance, dated Mar. 28, 2018, issued in Design U.S. Appl. No. 29/579,652.
 U.S. Ex Parte Quayle Action, dated Jan. 4, 2018, issued in Design U.S. Appl. No. 29/579,654.

* cited by examiner

Primary Examiner — Paula Allen Greene
 (74) *Attorney, Agent, or Firm* — Polson Intellectual Property Law, PC; Margaret Polson

(57) **CLAIM**

We claim the ornamental design for the ear buds for headset, as shown and described.

DESCRIPTION

FIG. 1 depicts an isometric view of a first ear bud of earbuds for a headset showing our new design;
 FIG. 2 depicts a front view of the first ear bud of FIG. 1.
 FIG. 3 is a side view of the first ear bud of FIG. 1.
 FIG. 4 is an opposite side view of the first ear bud of FIG. 1.
 FIG. 5 is a back view of the first ear bud of FIG. 1.
 FIG. 6 is a top view of the first ear bud of FIG. 1.
 FIG. 7 is a bottom view of the first ear bud of FIG. 1.
 FIG. 8 is an off-angle view of the first ear bud of FIG. 1.
 FIG. 9 is another off-angle view of the first ear bud of FIG. 1.
 FIG. 10 is an isometric view of a second ear bud of earbuds for a headset showing our new design;
 FIG. 11 is a front view of the second ear bud of FIG. 10.
 FIG. 12 is a side view of the second ear bud of FIG. 10.
 FIG. 13 is an opposite side view of the second ear bud of FIG. 10.
 FIG. 14 is a back view of the second ear bud of FIG. 10.
 FIG. 15 is a top view of the second ear bud of FIG. 10.
 FIG. 16 is a bottom view of the second ear bud of FIG. 10.
 FIG. 17 is an off-angle view of the second ear bud of FIG. 10.
 FIG. 18 is another off-angle view of the second ear bud of FIG. 10.
 FIG. 19 depicts the isometric view of the first ear bud of FIG. 1 without shading but including tangent lines, which are shown as dashed or dotted lines.
 FIG. 20 depicts the front view of the first ear bud of FIG. 2 without shading but including tangent lines, which are shown as dashed or dotted lines.
 FIG. 21 depicts the side view of the first ear bud of FIG. 3 without shading but including tangent lines, which are shown as dashed or dotted lines.
 FIG. 22 depicts the opposite side view of the first ear bud of FIG. 4 without shading but including tangent lines, which are shown as dashed or dotted lines.

FIG. 23 depicts the back view of the first ear bud of FIG. 5 without shading but including tangent lines, which are shown as dashed or dotted lines.

FIG. 24 depicts the top view of the first ear bud of FIG. 6 without shading but including tangent lines, which are shown as dashed or dotted lines.

FIG. 25 depicts the bottom view of the first ear bud of FIG. 7 without shading but including tangent lines, which are shown as dashed or dotted lines.

FIG. 26 depicts the off-angle view of the first ear bud of FIG. 8 without shading but including tangent lines, which are shown as dashed or dotted lines.

FIG. 27 depicts the other off-angle view of the first ear bud of FIG. 9 without shading but including tangent lines, which are shown as dashed or dotted lines.

FIG. 28 depicts the isometric view of the second ear bud of FIG. 10 without shading but including tangent lines, which are shown as dashed or dotted lines.

FIG. 29 depicts the front view of the second ear bud of FIG. 11 without shading but including tangent lines, which are shown as dashed or dotted lines.

FIG. 30 depicts the side view of the second ear bud of FIG. 12 without shading but including tangent lines, which are shown as dashed or dotted lines.

FIG. 31 depicts the opposite side view of the second ear bud of FIG. 13 without shading but including tangent lines, which are shown as dashed or dotted lines.

FIG. 32 depicts the back view of the second ear bud of FIG. 14 without shading but including tangent lines, which are shown as dashed or dotted lines.

FIG. 33 depicts the top view of the second ear bud of FIG. 15 without shading but including tangent lines, which are shown as dashed or dotted lines.

FIG. 34 depicts the bottom view of the second ear bud of FIG. 16 without shading but including tangent lines, which are shown as dashed or dotted lines.

FIG. 35 depicts the off-angle view of the second ear bud of FIG. 17 without shading but including tangent lines, which are shown as dashed or dotted lines; and,

FIG. 36 depicts the other off-angle view of the second ear bud of FIG. 18 without shading but including tangent lines, which are shown as dashed or dotted lines.

Each of the ear buds in the accompanying figures, i.e., a first ear bud and a second ear bud, may be a part of a headset that may be placed, i.e., worn, in a person's ears.

Line shading is used in the accompanying Figures to convey surface shading and contouring, and not texture, in FIGS. 1-18.

The broken lines shown in the FIGS. 1-18 illustrate portions of the ear bud that form no part of the claimed design; the dash-dot-dash boundary rectangle is used to indicate a transition from claimed subject matter to unclaimed subject matter. In FIGS. 19-36, the dash-dash broken lines illustrate wireframe lines that form not part of the claimed design.

1 Claim, 12 Drawing Sheets

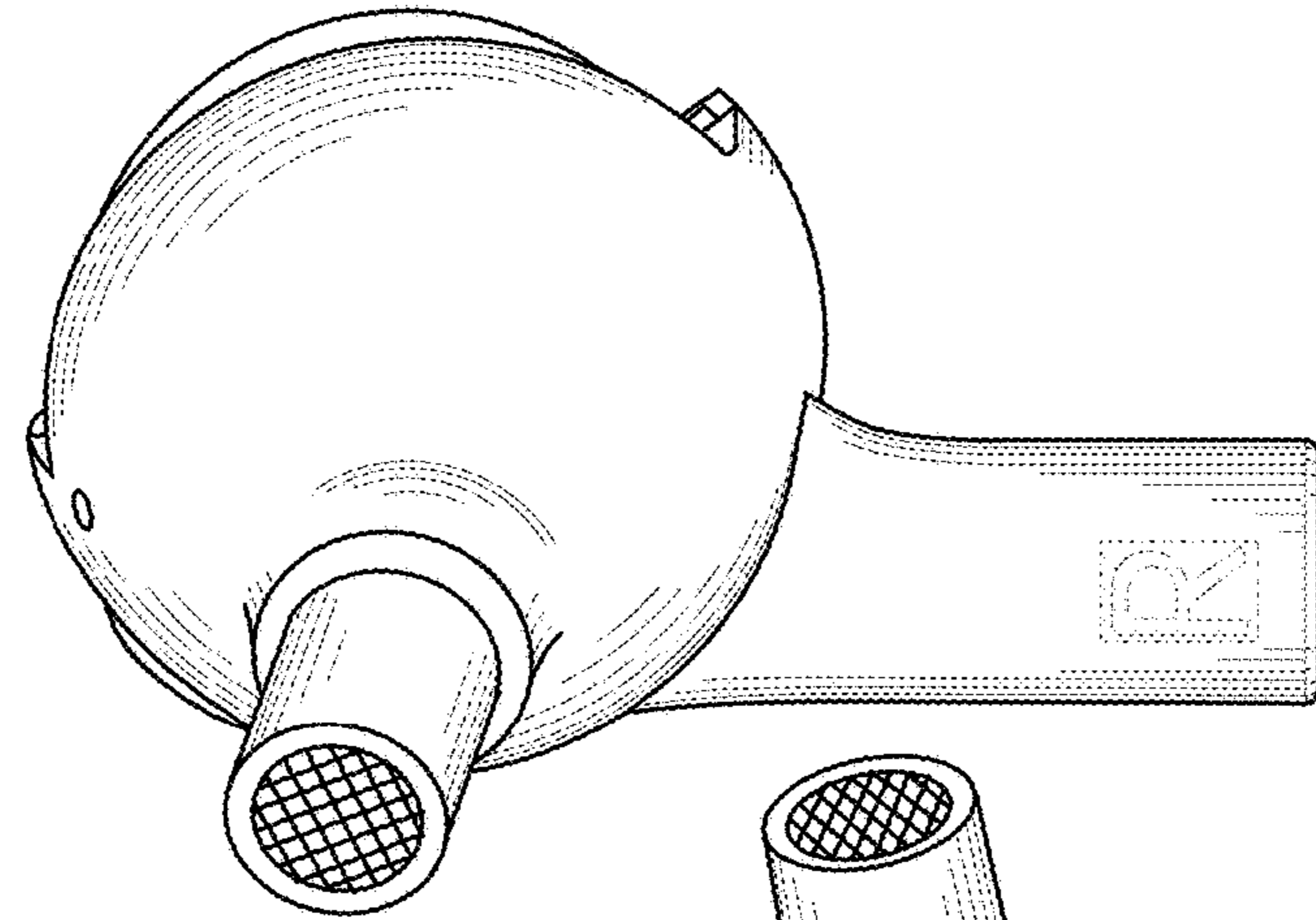


Fig. 3

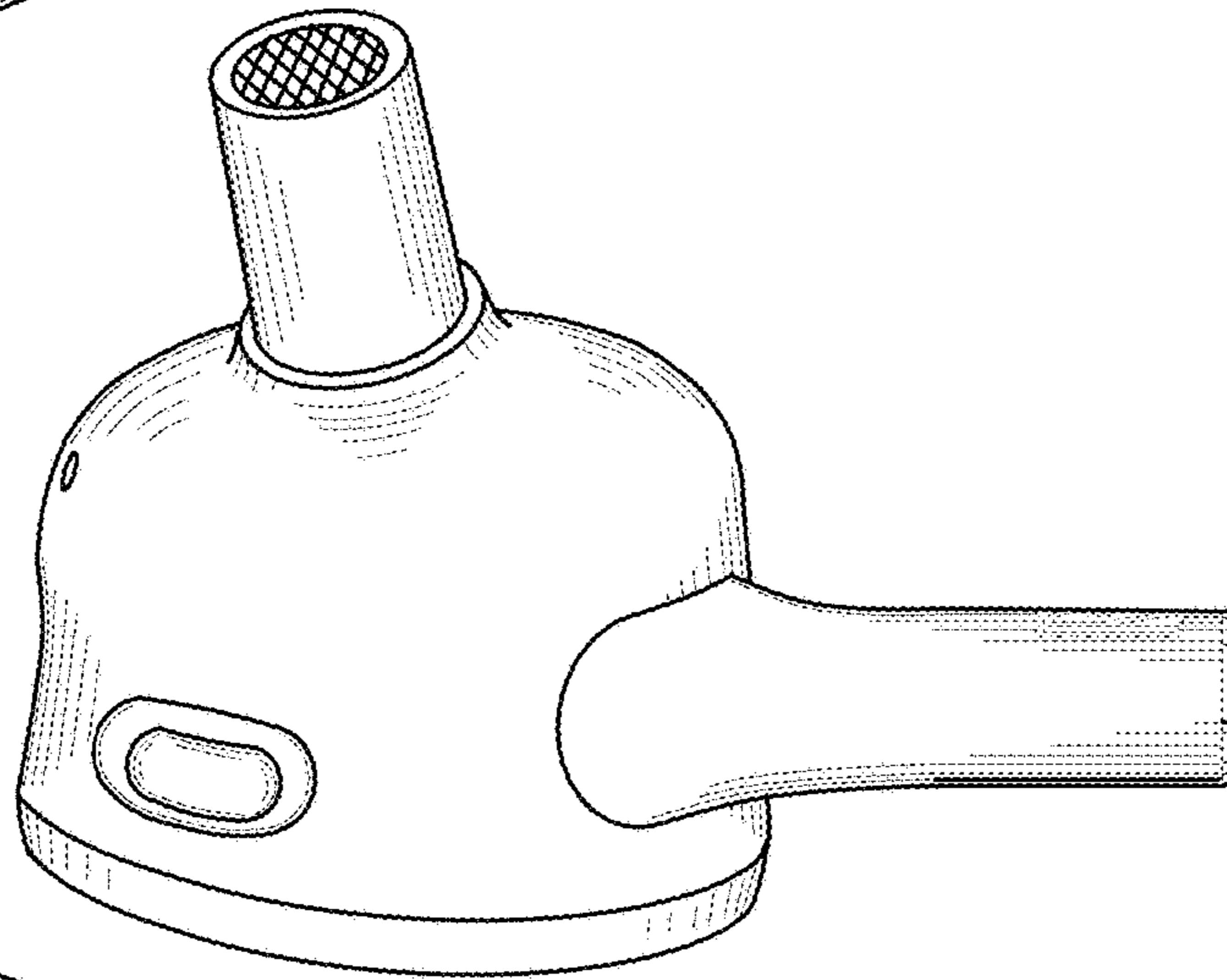


Fig. 2

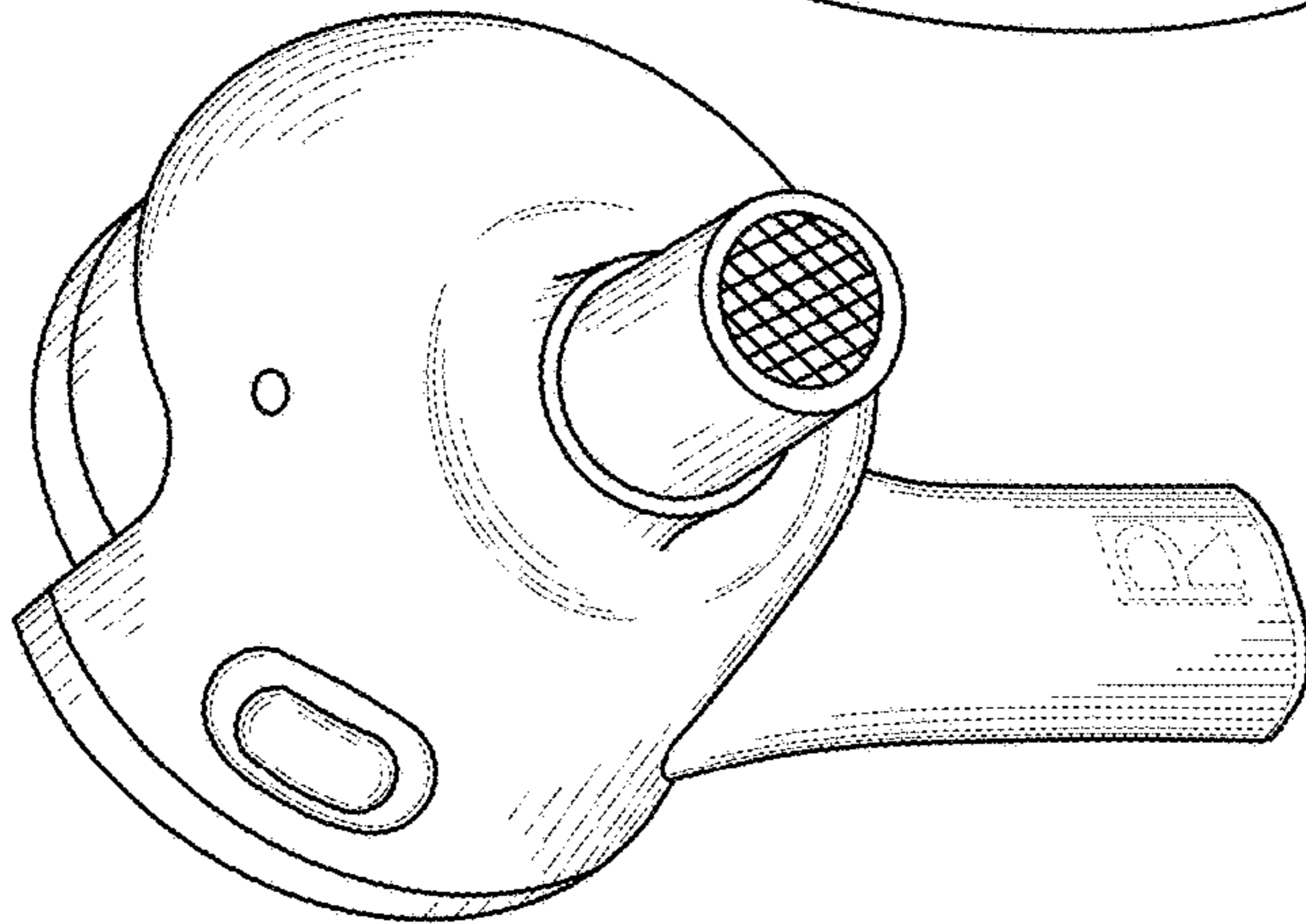
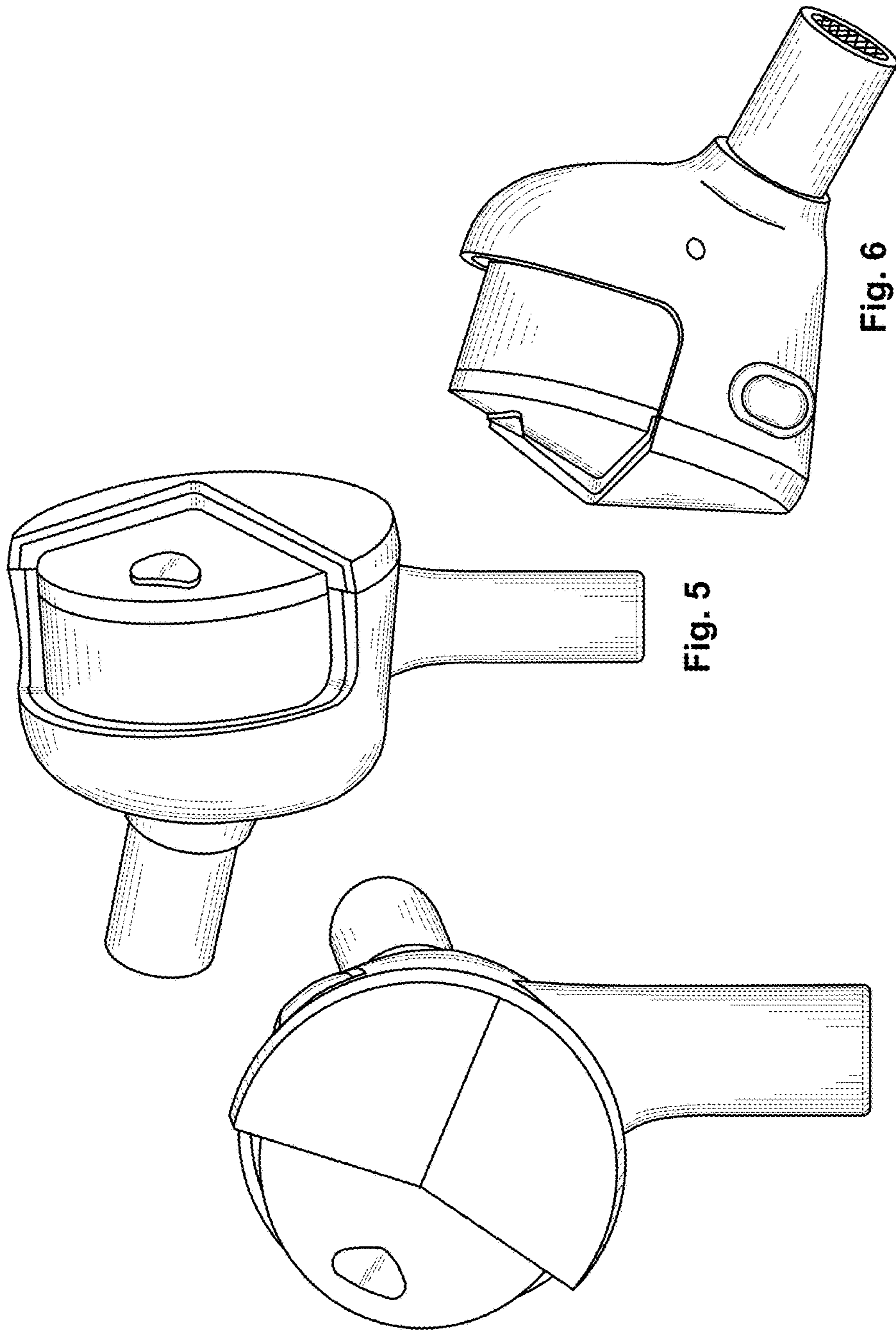


Fig. 1



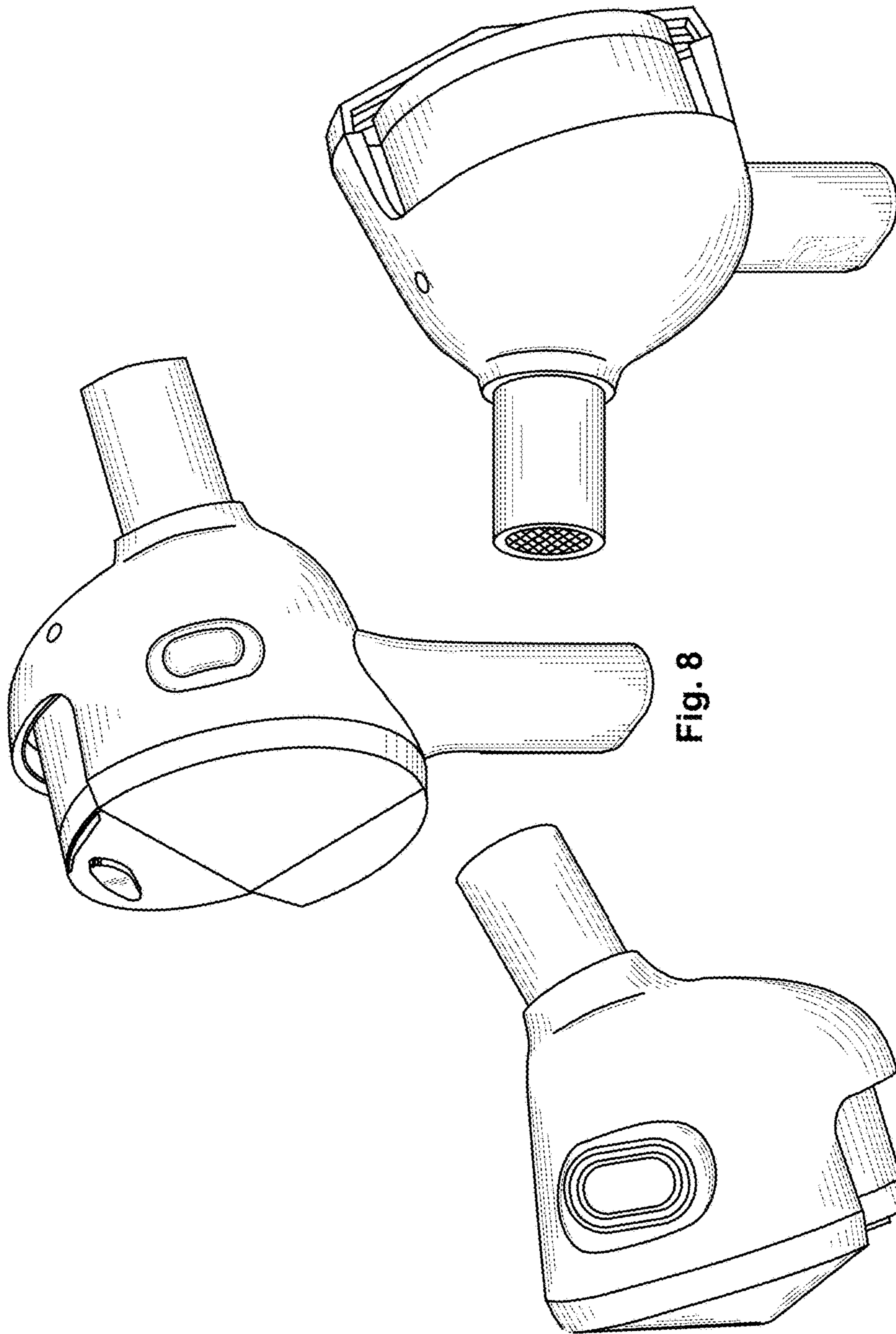


Fig. 9

Fig. 8

Fig. 7

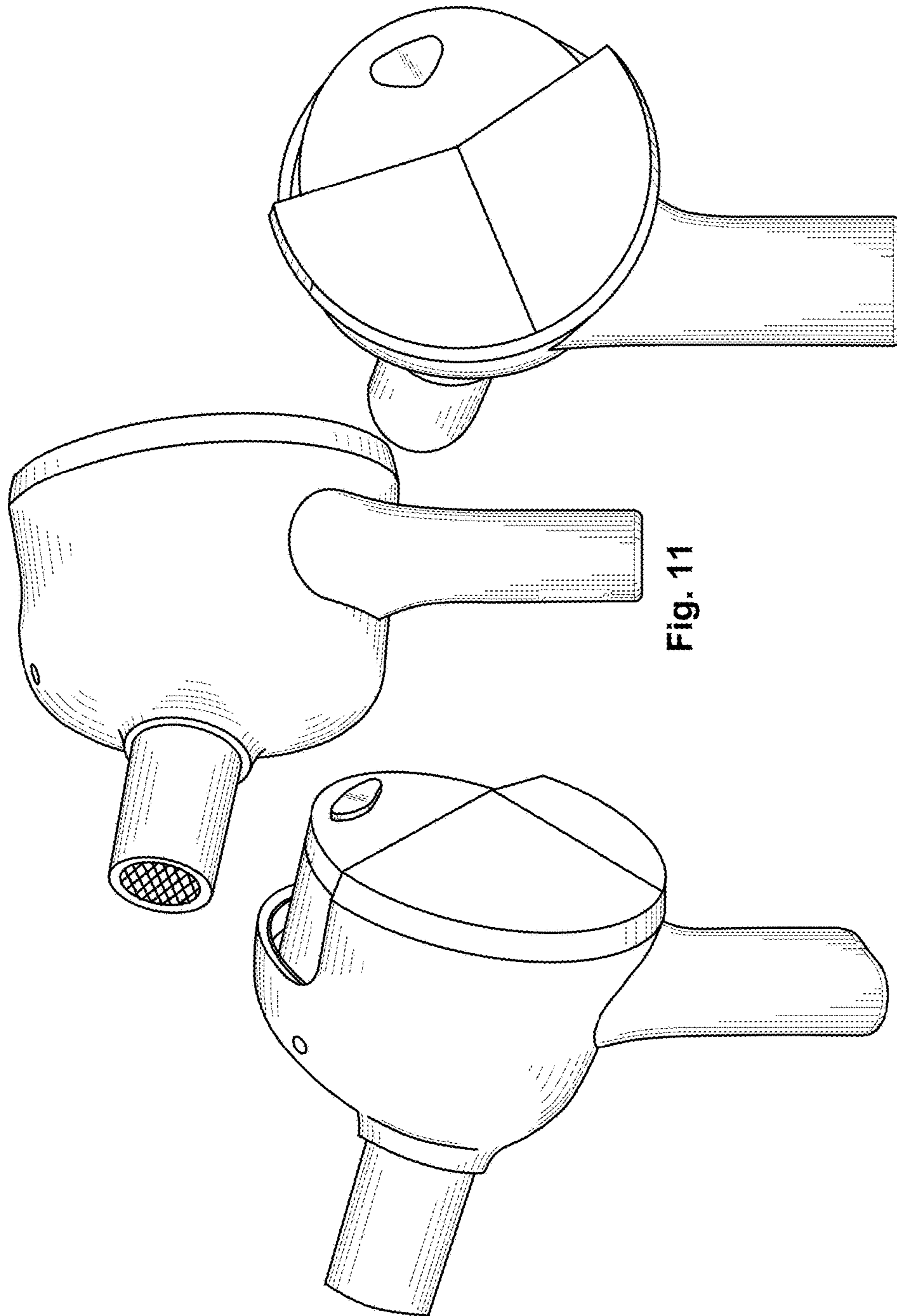


Fig. 11

Fig. 12

Fig. 10

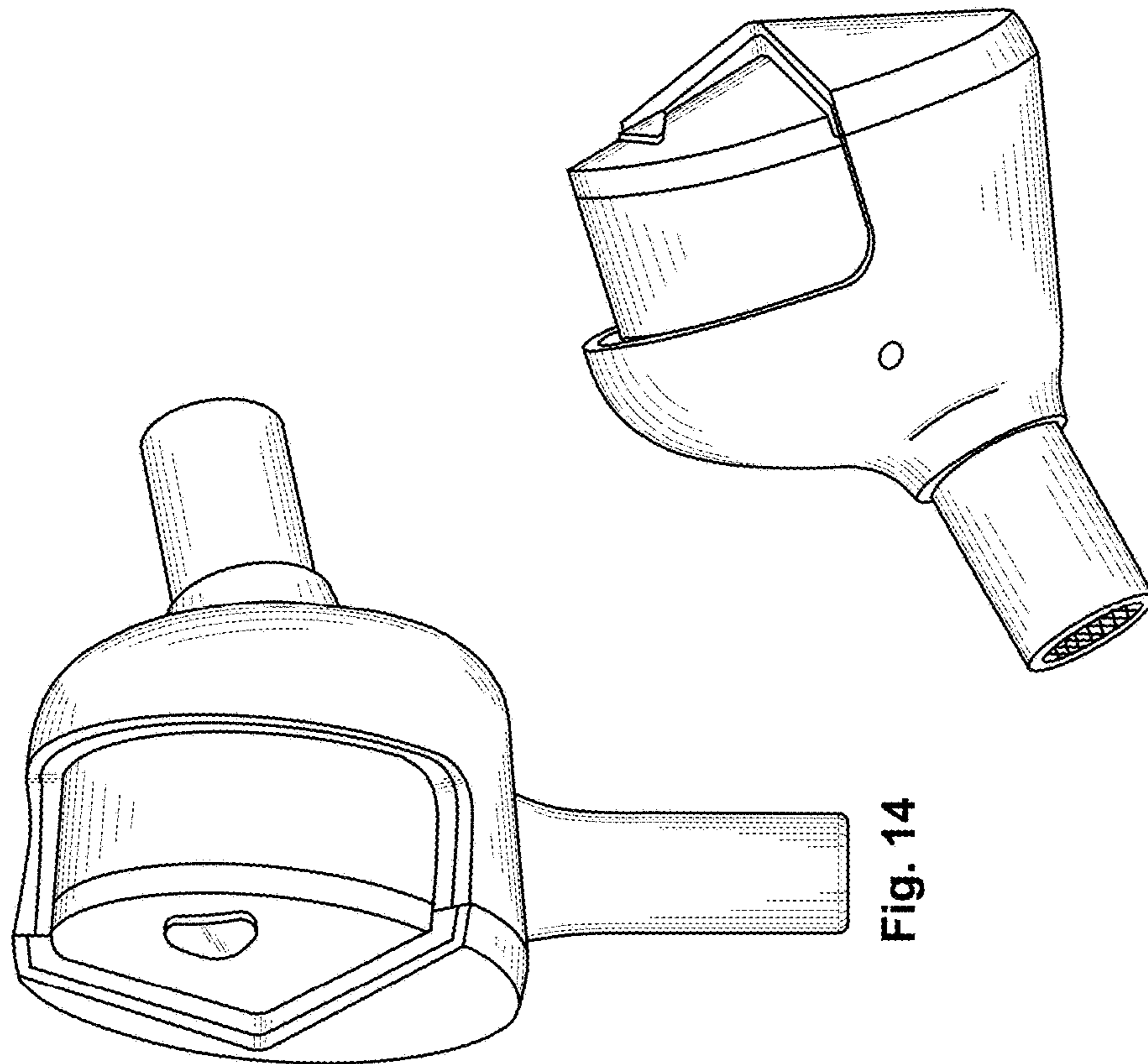


Fig. 14

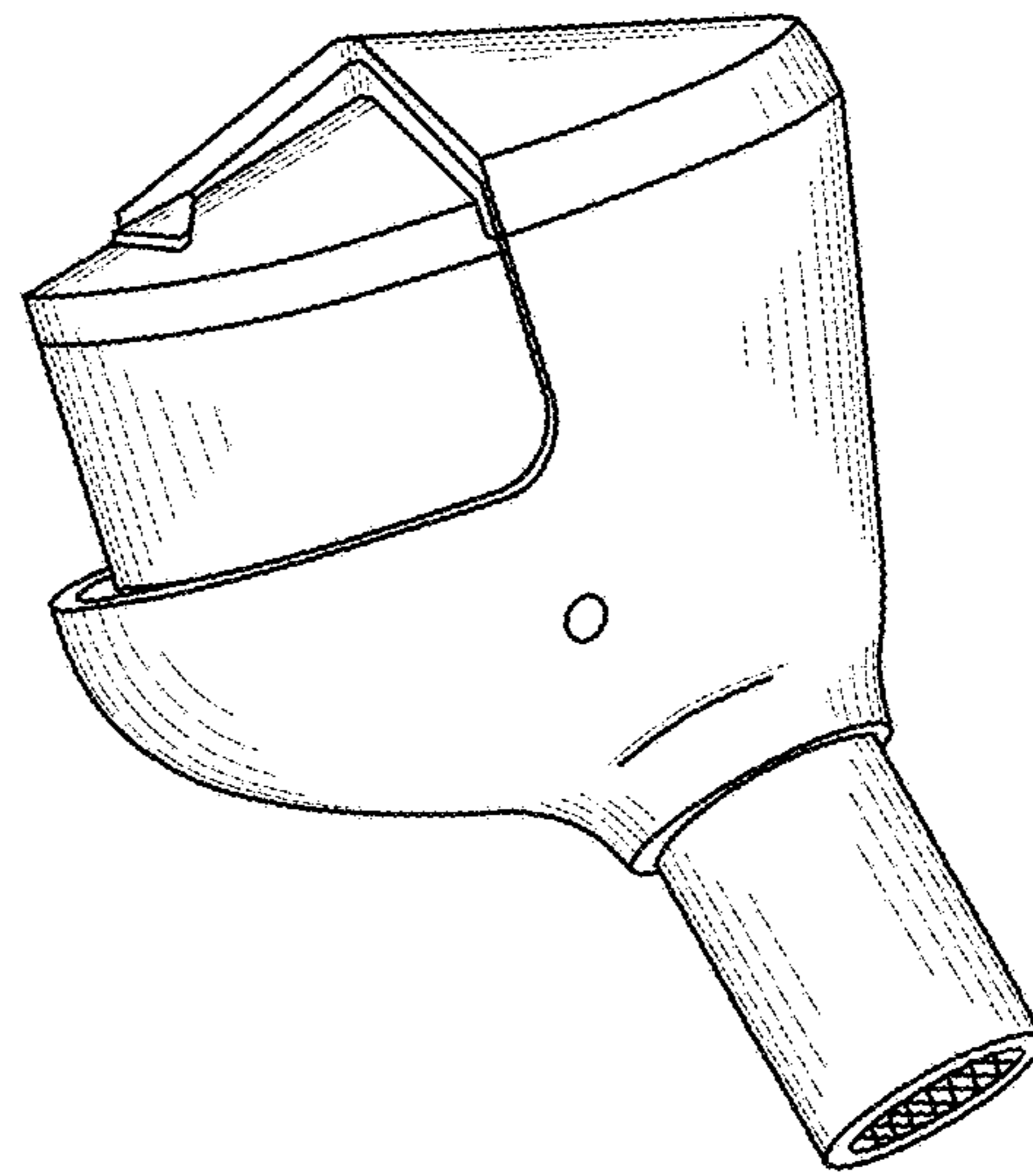


Fig. 15

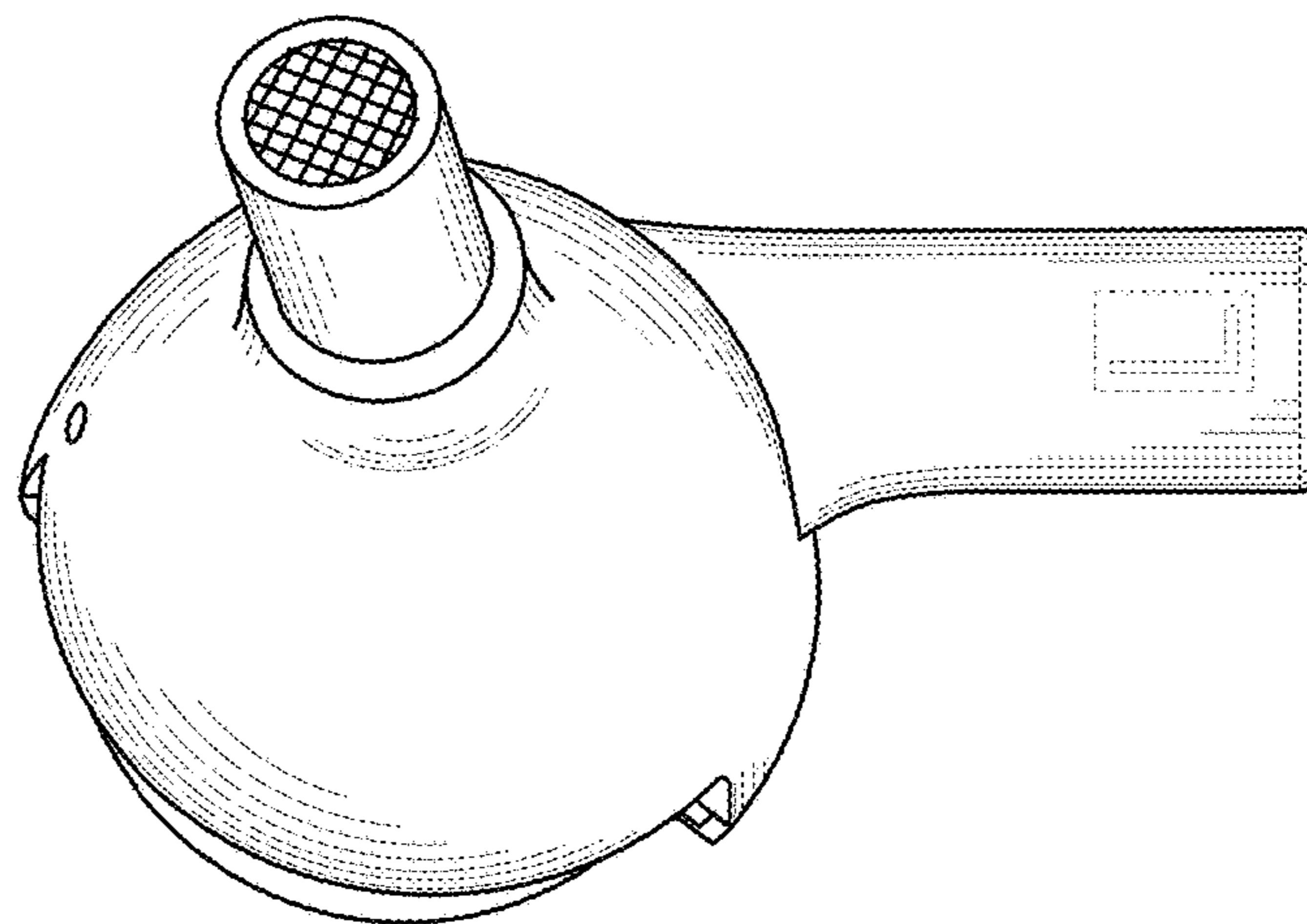


Fig. 13

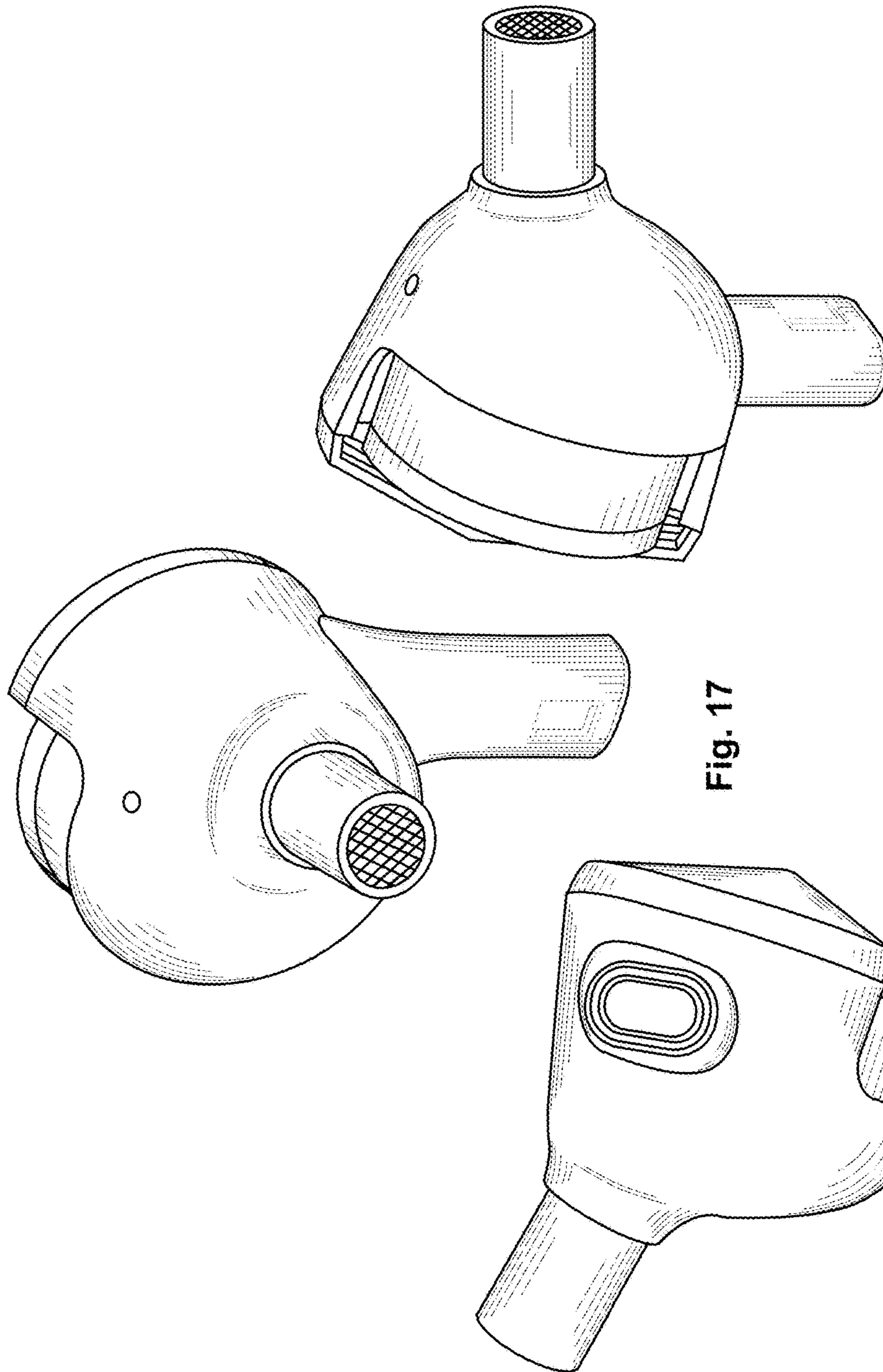


Fig. 17

Fig. 18

Fig. 16

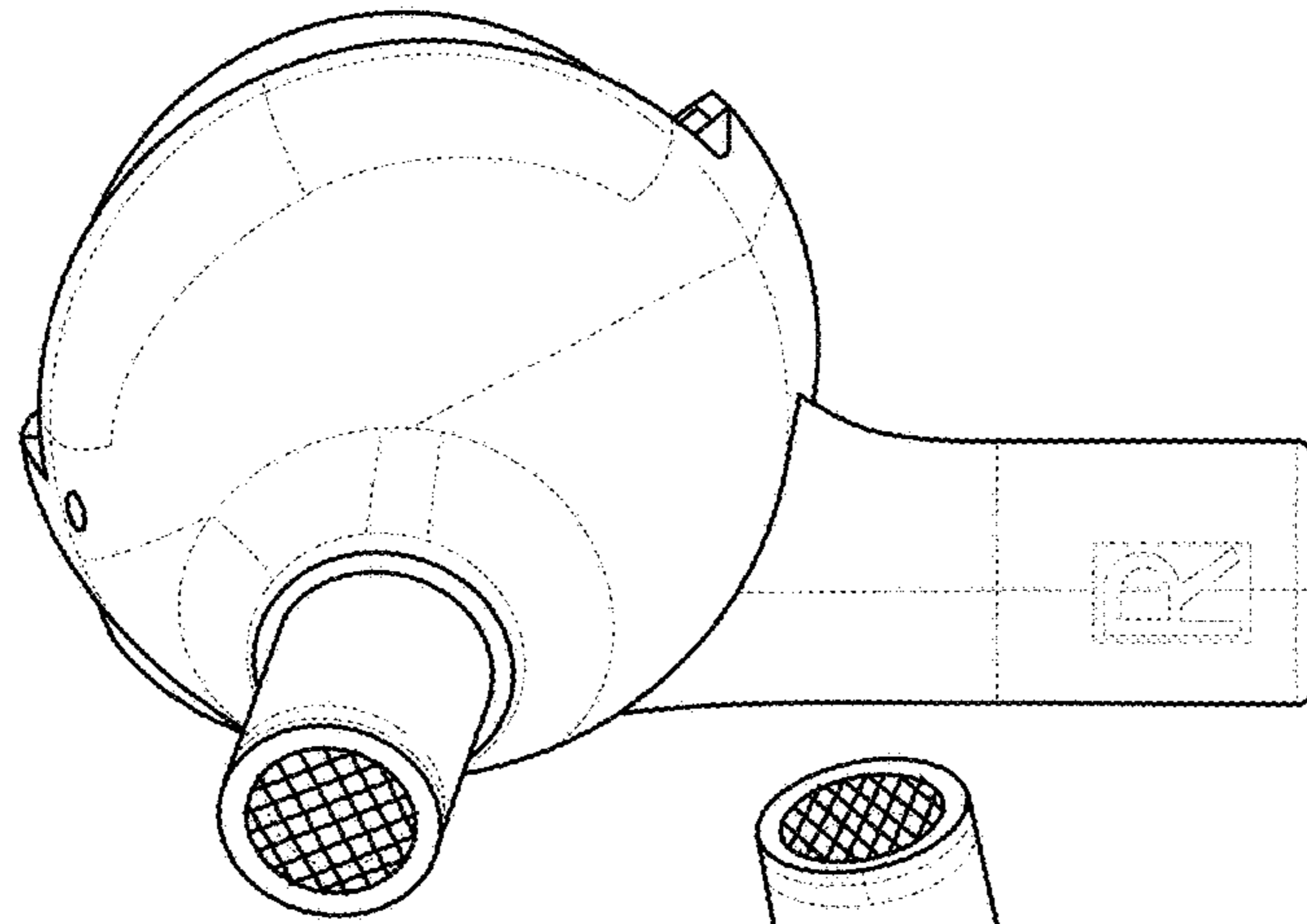


Fig. 21

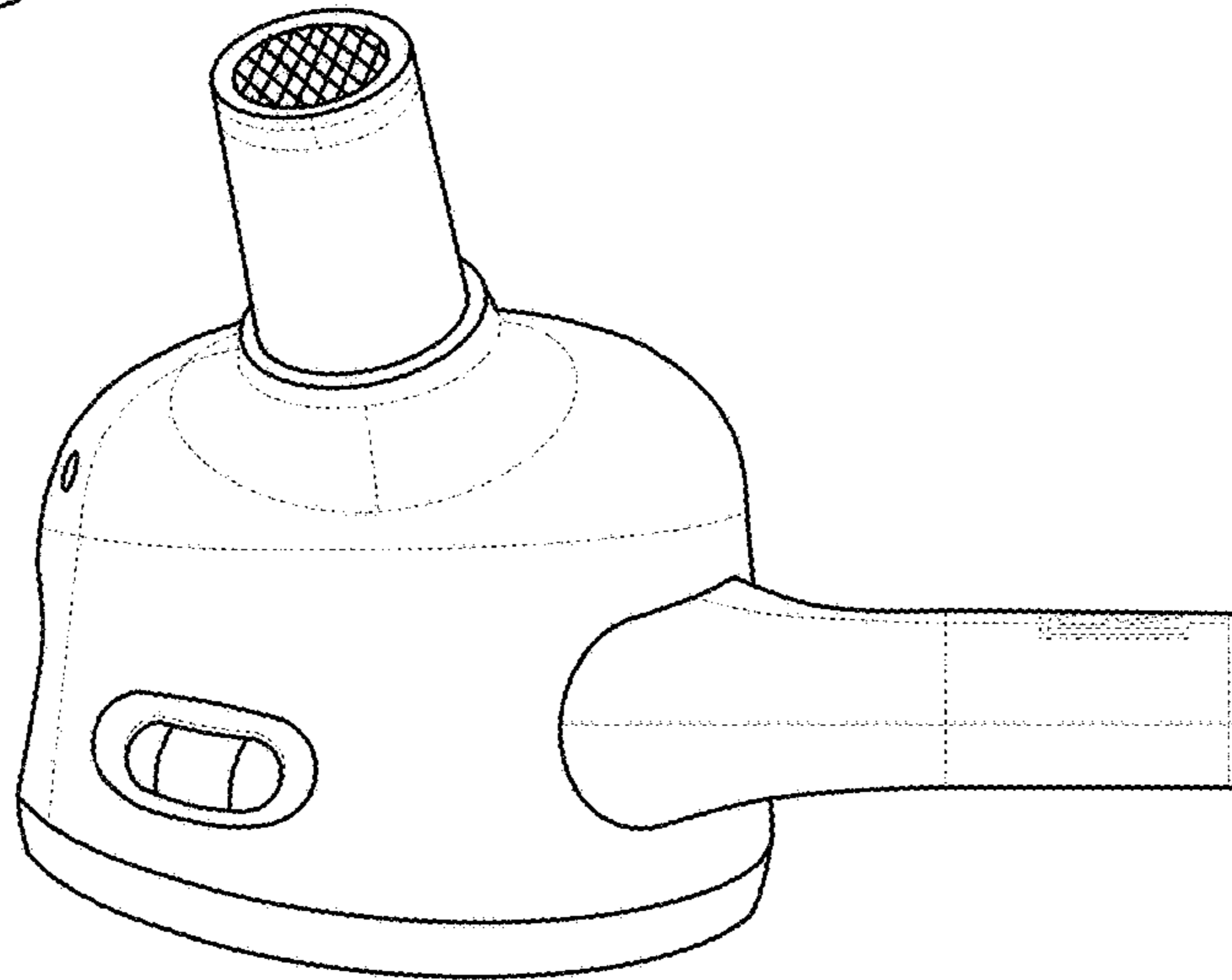


Fig. 20

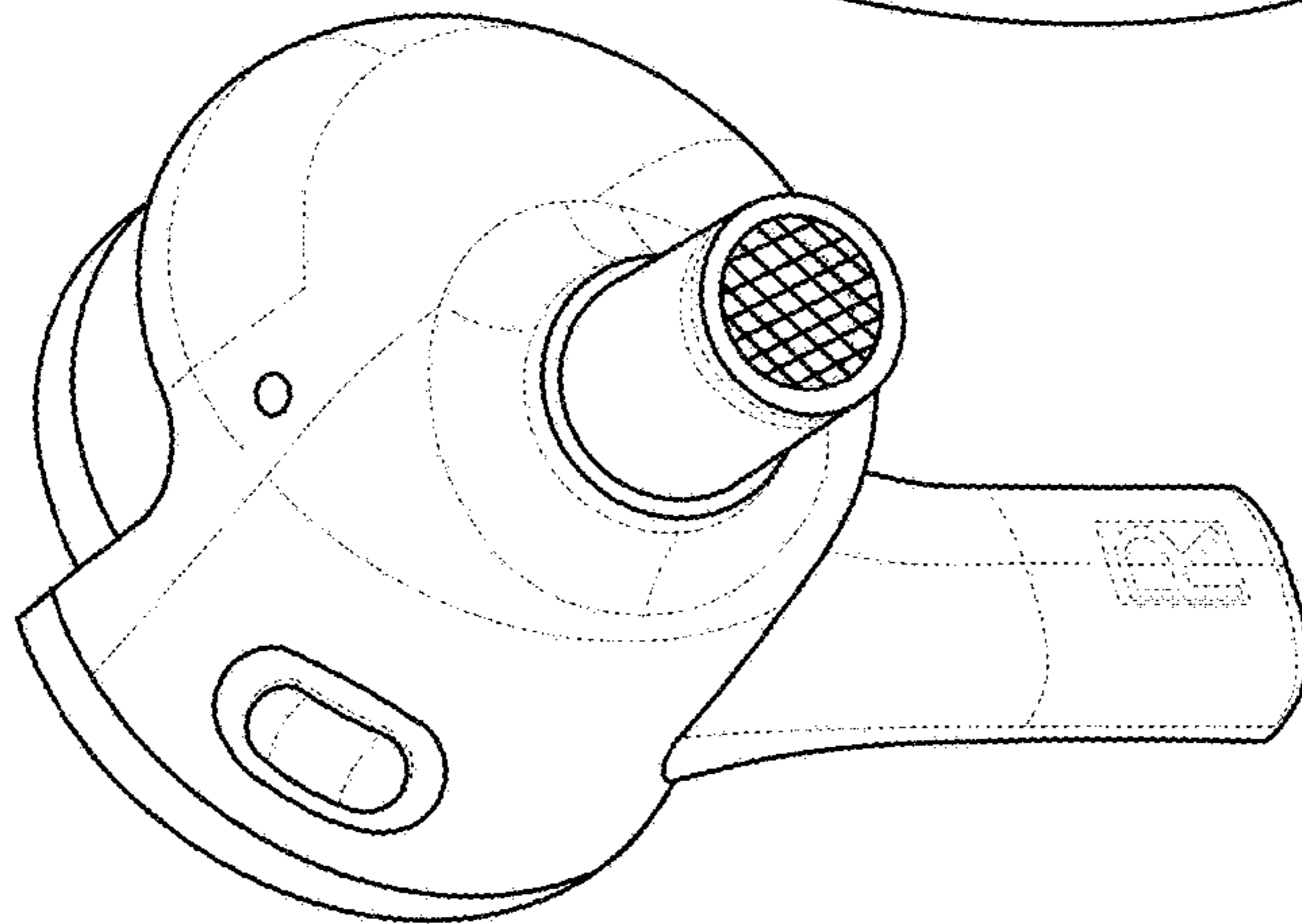
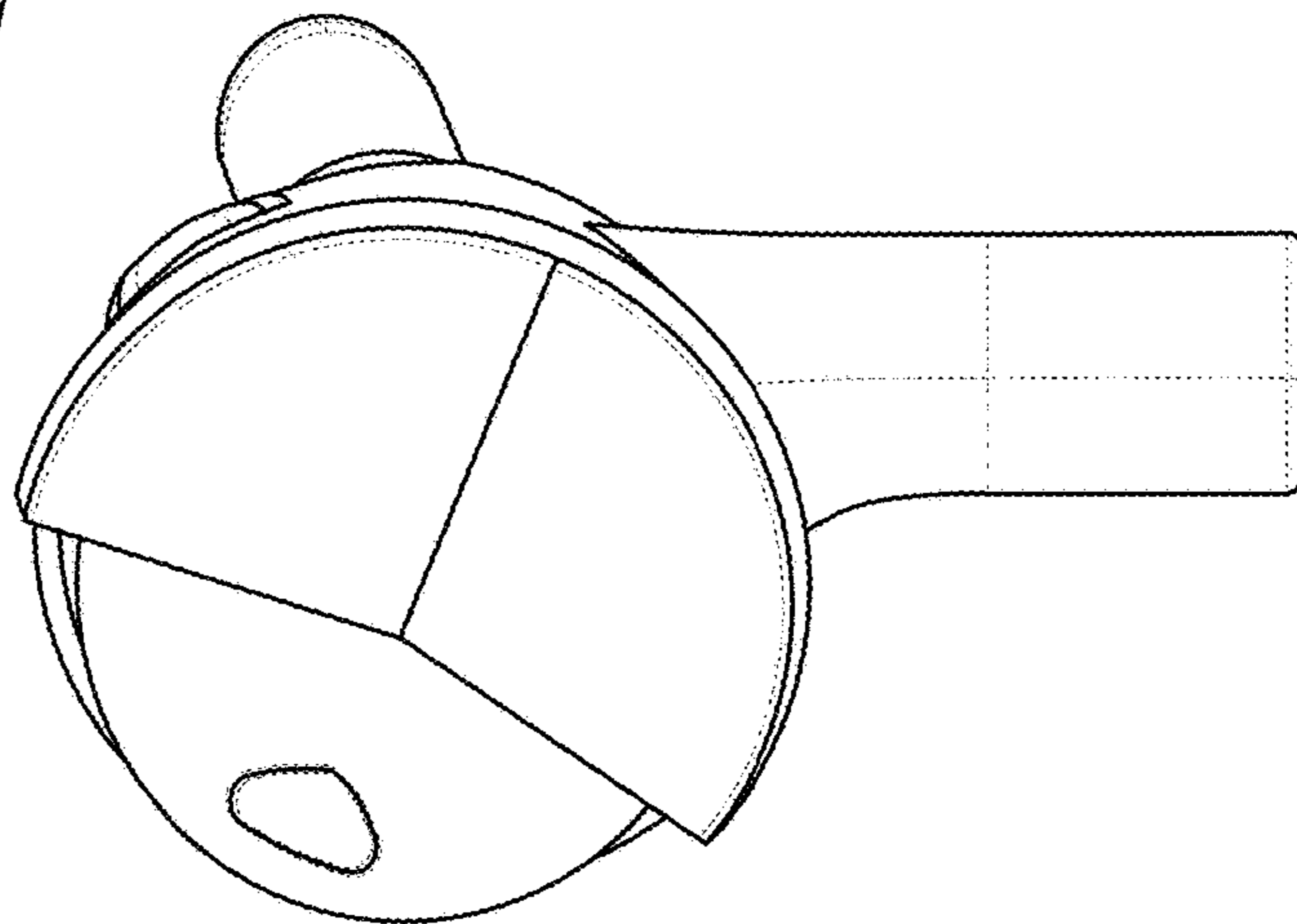
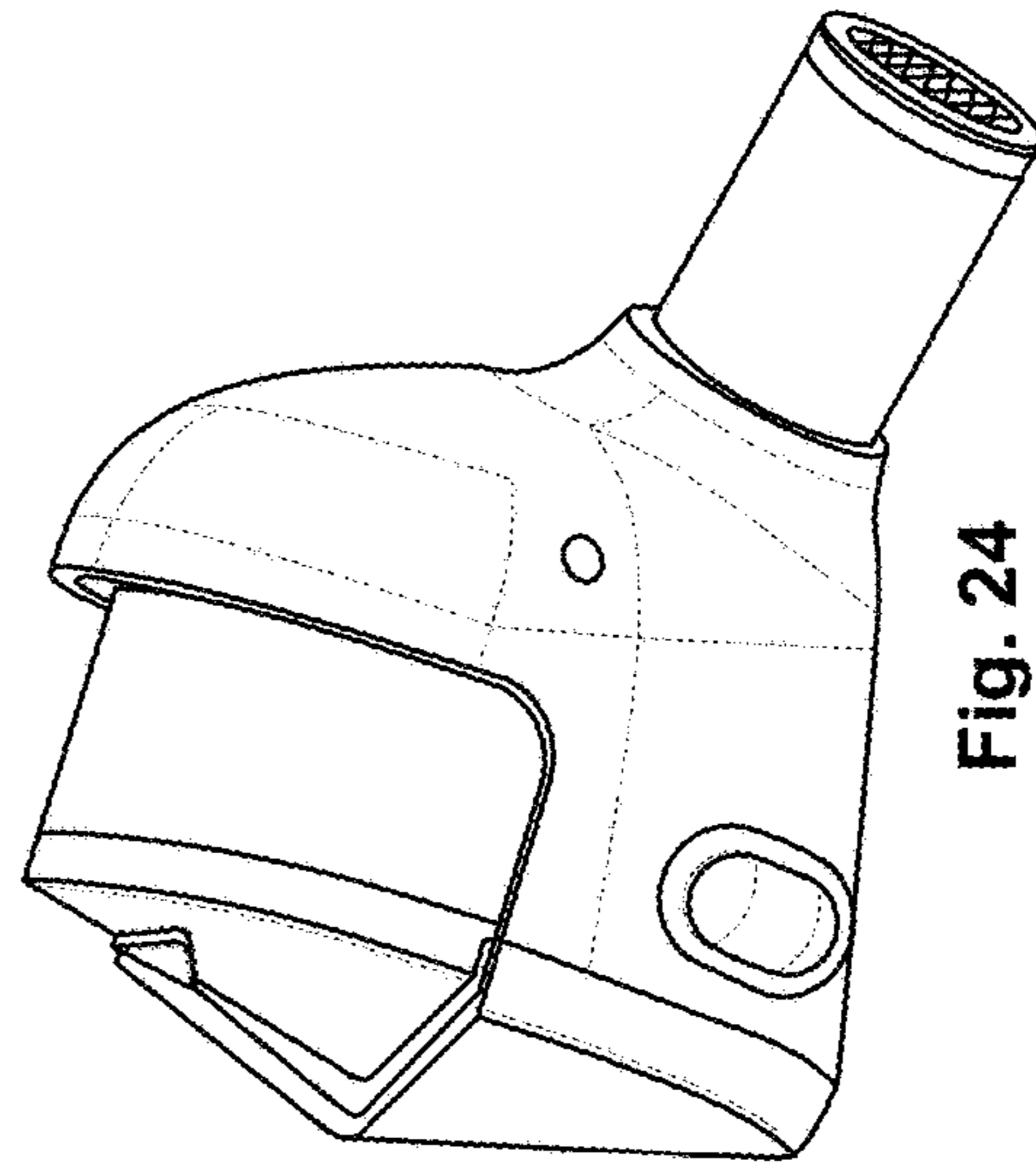
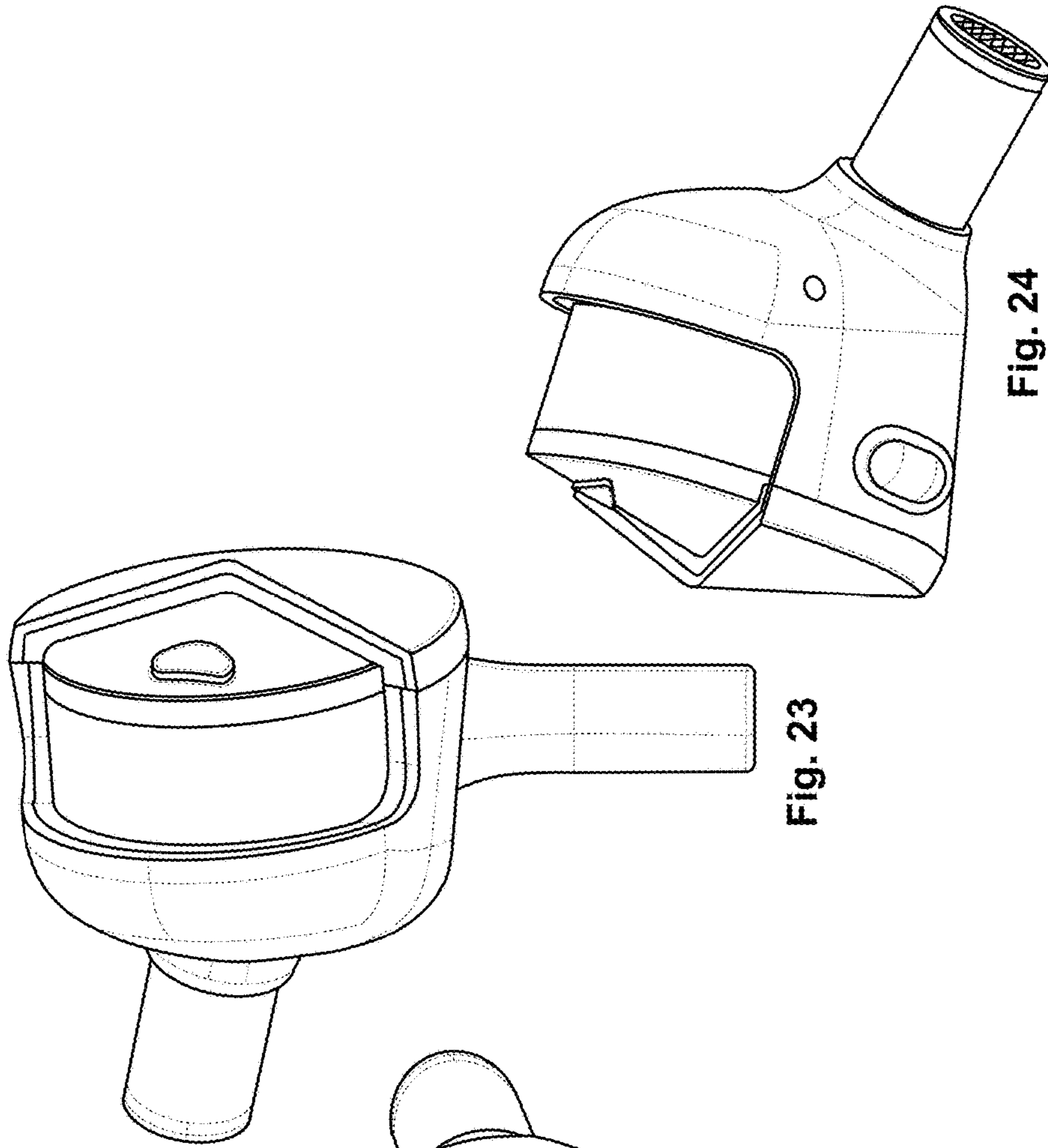


Fig. 19



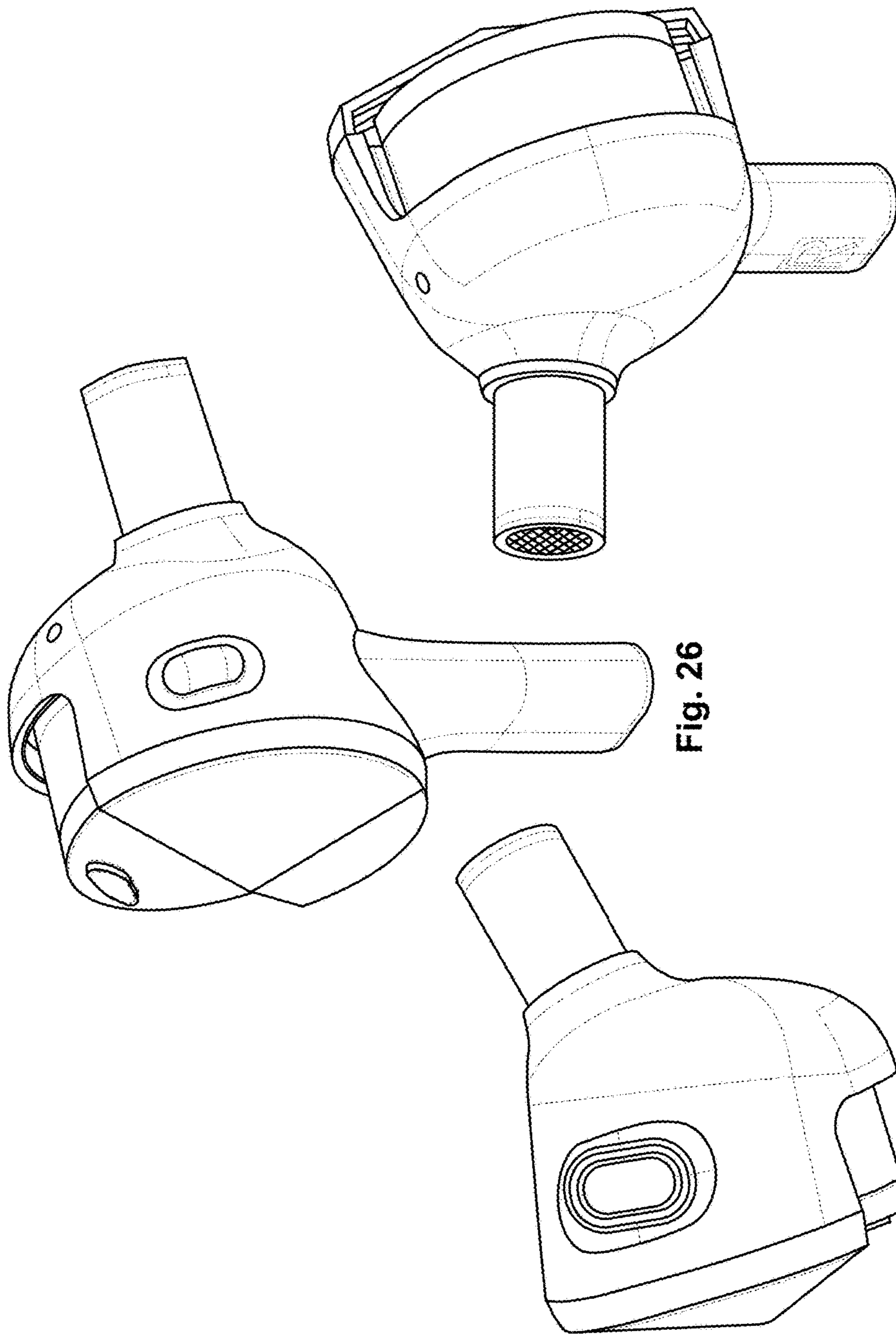


Fig. 26

Fig. 25

Fig. 27

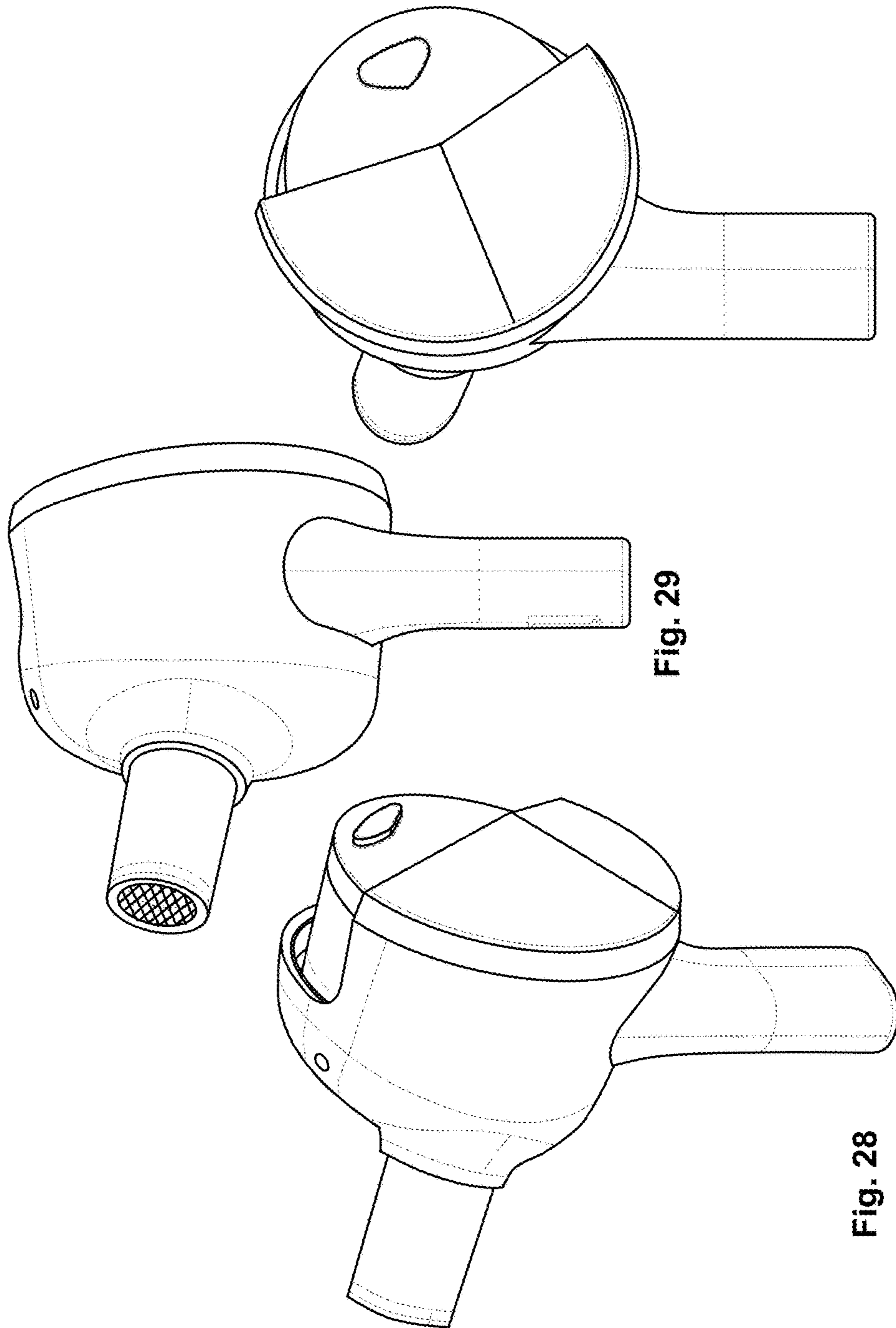


Fig. 29

Fig. 28

Fig. 30

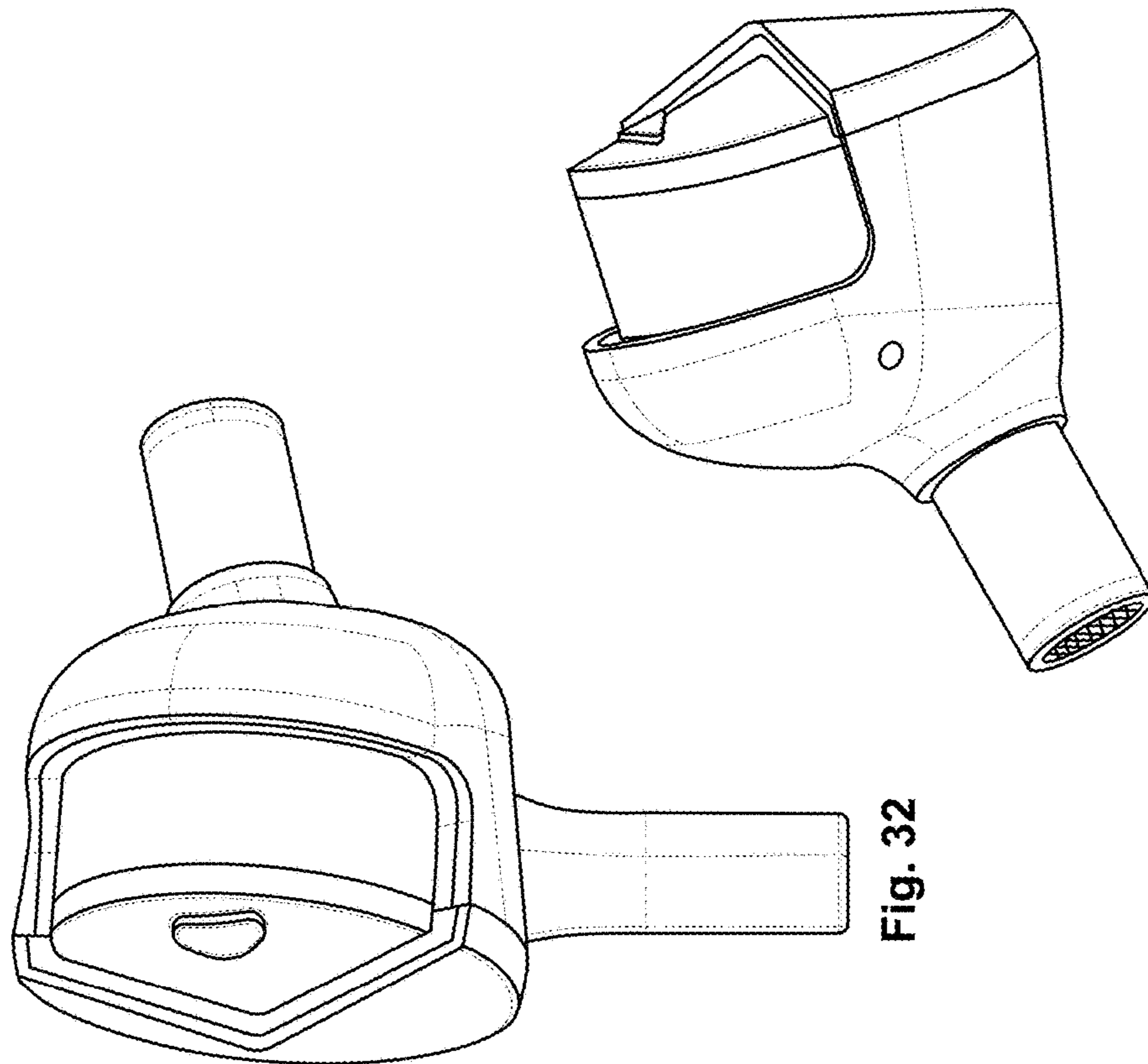


Fig. 32

Fig. 33

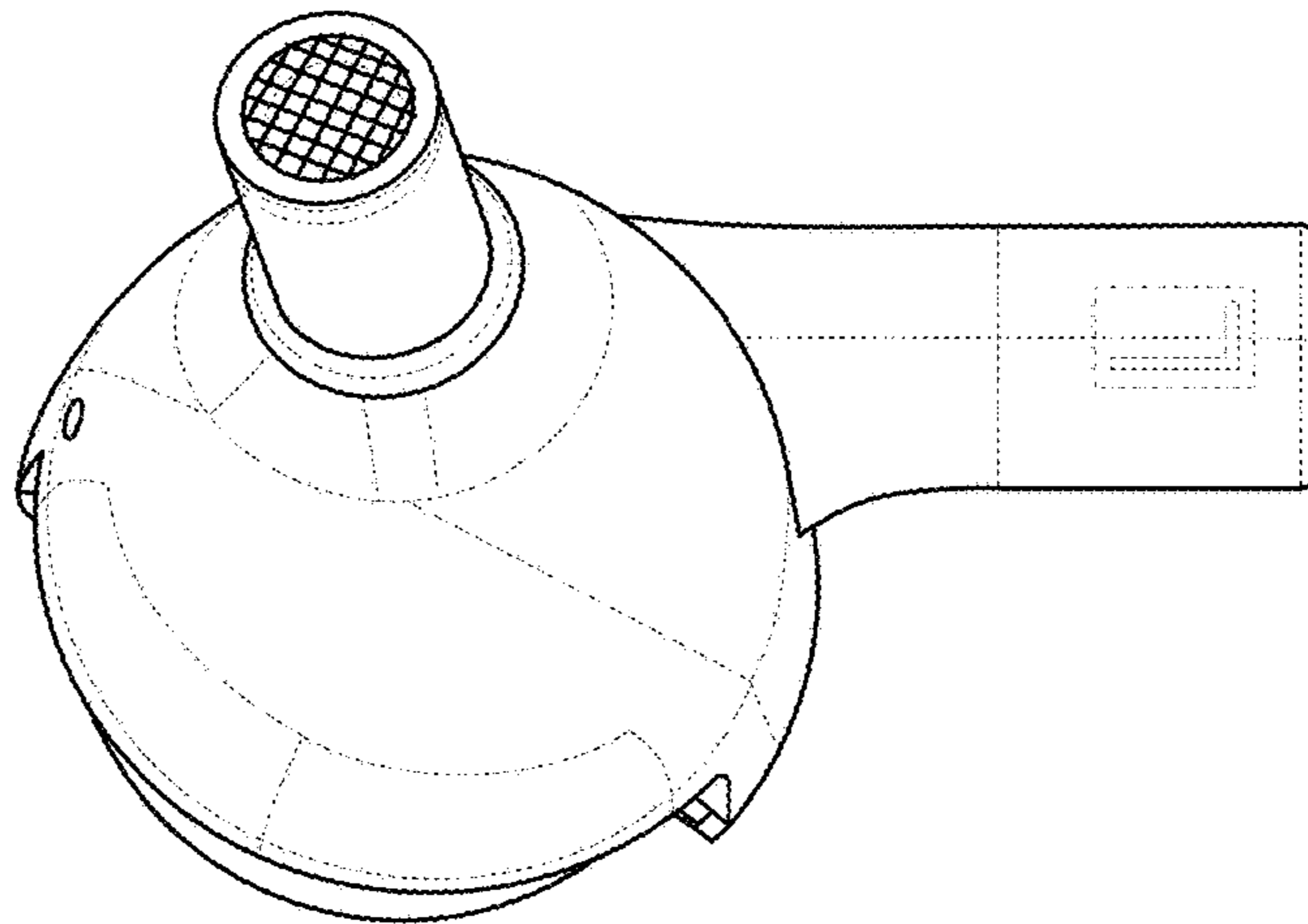


Fig. 31

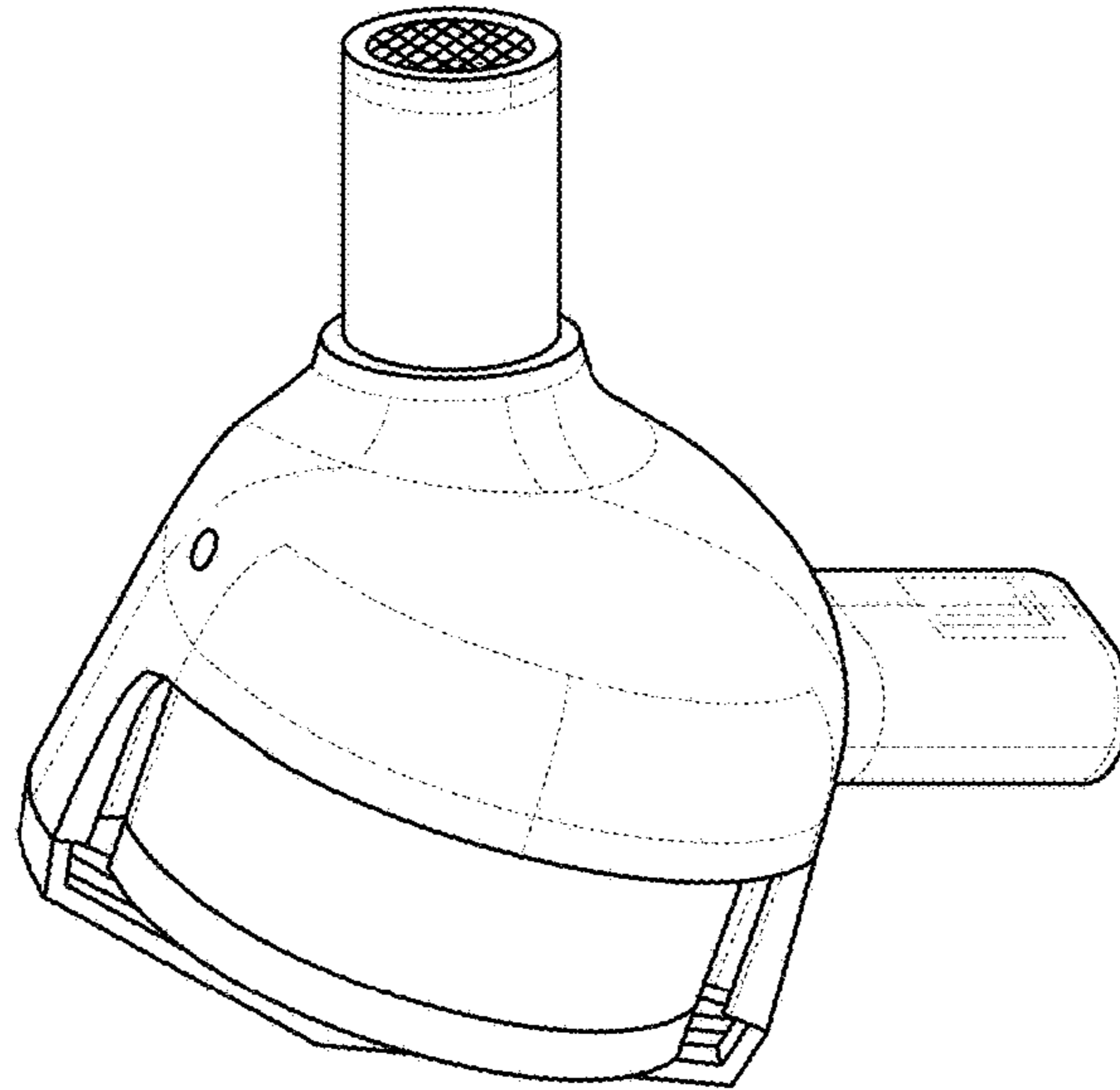


Fig. 36

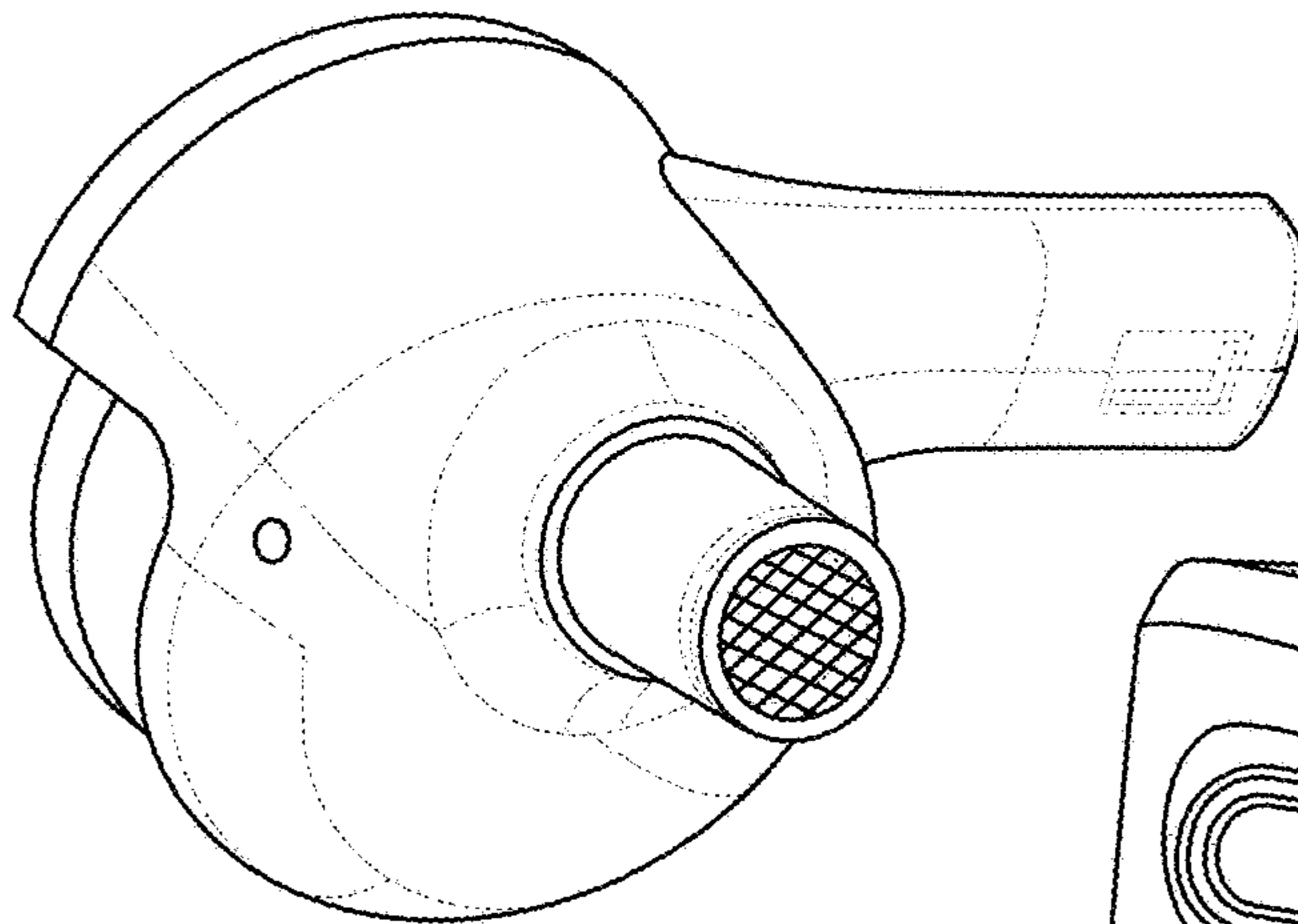


Fig. 35

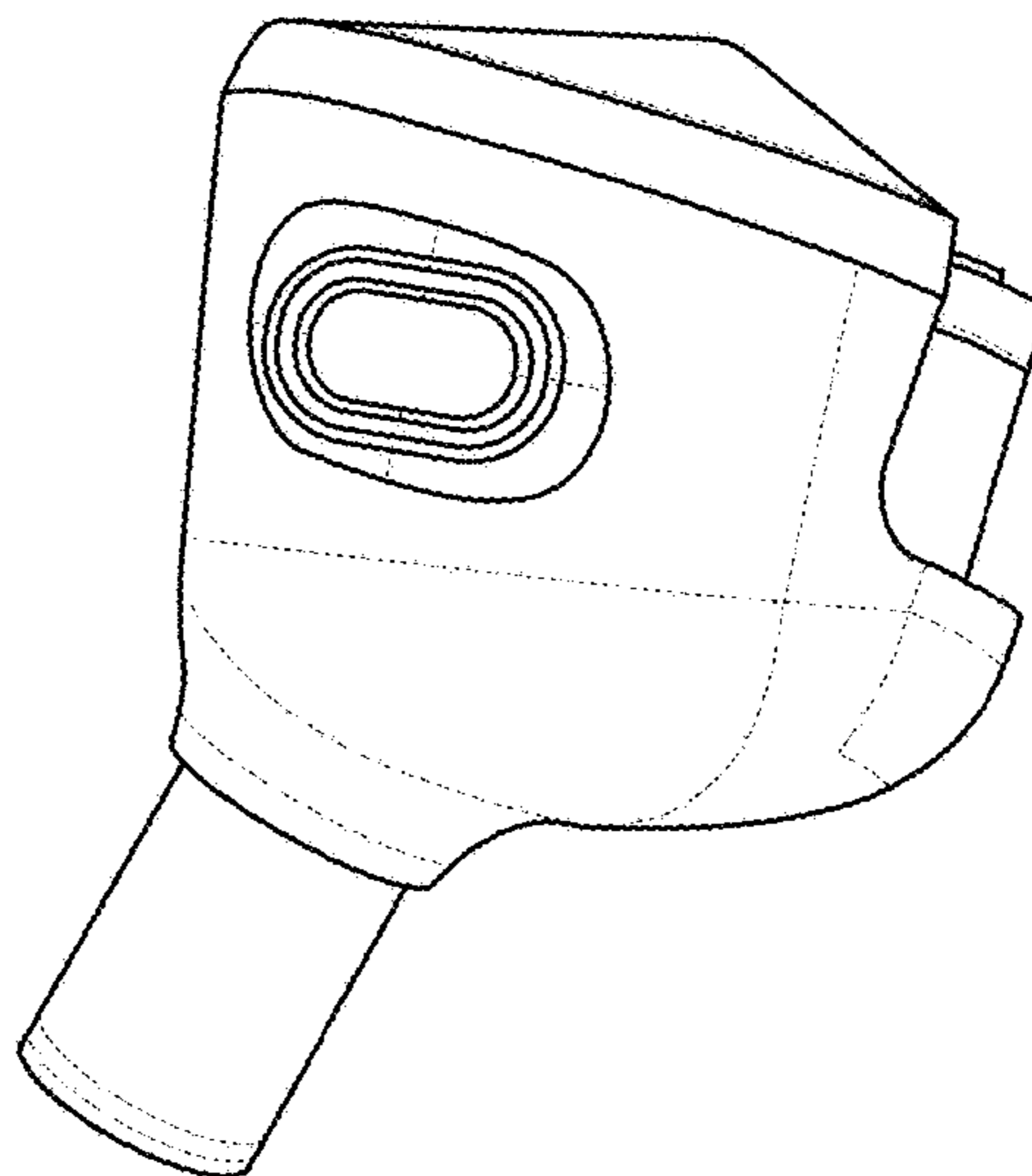


Fig. 34