



US00D842842S

(12) **United States Design Patent**
Lee et al.

(10) **Patent No.:** **US D842,842 S**
(45) **Date of Patent:** **** Mar. 12, 2019**

(54) **SPEAKER**

H04R 2499/13; H04R 2499/15; H04S
3/00; H04S 7/30

(71) Applicant: **SAMSUNG ELECTRONICS CO., LTD.**, Suwon-si, Gyeonggi-do (KR)

See application file for complete search history.

(72) Inventors: **Sang-Young Lee**, Gwangmyung-si (KR); **Hee-Bong Kim**, Gimpo-si (KR); **Won-Jun Lee**, Seoul (KR)

(56) **References Cited**

U.S. PATENT DOCUMENTS

D223,255 S * 4/1972 Boldt et al. D14/212
D247,490 S * 3/1978 Everidge D14/212
(Continued)

(73) Assignee: **SAMSUNG ELECTRONICS CO., LTD.**, Gyeonggi-Do (KR)

FOREIGN PATENT DOCUMENTS

EM 002253898-0001 6/2013
EM 002253898-0002 6/2013
(Continued)

(**) Term: **15 Years**

Primary Examiner — Keli L Hill

(21) Appl. No.: **29/569,768**

(74) *Attorney, Agent, or Firm* — Cantor Colburn LLP

(22) Filed: **Jun. 30, 2016**

(30) **Foreign Application Priority Data**

Jan. 5, 2016 (KR) 30-2016-0000326

(51) **LOC (11) Cl.** **14-03**

(52) **U.S. Cl.**
USPC **D14/216**

(58) **Field of Classification Search**
USPC D14/167, 168, 170–172, 188, 194–196,
D14/204, 207, 209.1, 210–216, 219, 221,
D14/222, 224, 239, 496
CPC B60R 11/0217; G06F 1/1688; G10K 9/22;
G10K 11/004; H03F 1/327; H04M 1/03;
H04M 1/035; H04N 5/642; H04N
21/4852; H04R 1/02; H04R 1/06; H04R
1/021; H04R 1/025; H04R 1/026; H04R
1/028; H04R 1/105; H04R 1/323; H04R
1/403; H04R 1/2803; H04R 1/2834;
H04R 5/02; H04R 7/20; H04R 9/06;
H04R 9/025; H04R 2201/021; H04R
2400/00; H04R 2400/07; H04R 2499/11;

(57) **CLAIM**

The ornamental design for a speaker, as shown and described.

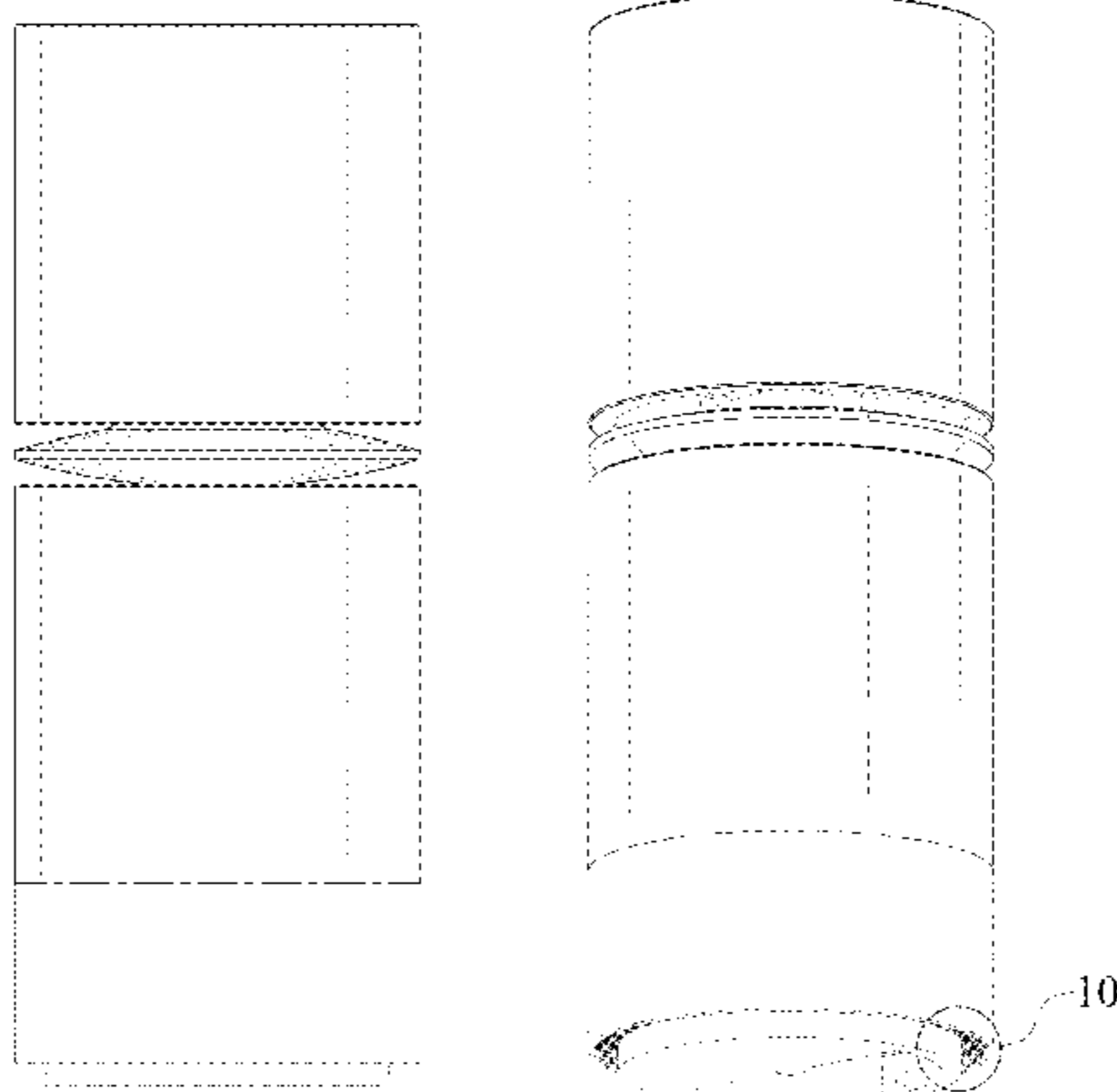
DESCRIPTION

FIG. 1 is a first perspective view of a speaker showing our new design;
FIG. 2 is a front view thereof;
FIG. 3 is a rear view thereof;
FIG. 4 is a left-side view thereof;
FIG. 5 is a right-side view thereof;
FIG. 6 is a top plan view thereof;
FIG. 7 is a bottom plan view thereof;
FIG. 8 is a second perspective view thereof; and,
FIG. 9 is a third perspective view thereof with an unclaimed television receiver;
FIG. 10 is an enlarged view of the encircled portion 10 in FIG. 8.

The broken lines shown are included for the purpose of illustrating portions of the speaker that form no part of the claim.

The dot-dash lines define boundaries of the claimed design and form no part of claimed design.

(Continued)



The dot-dot dash broken lines encircling portions of the claimed design that are illustrated in enlargements form no part of the claimed design.

1 Claim, 10 Drawing Sheets

(56) **References Cited**

U.S. PATENT DOCUMENTS

D281,316 S	*	11/1985	Gary	D14/212
D364,165 S	*	11/1995	Esslinger	D14/213
D364,871 S	*	12/1995	Esslinger	D14/211
D435,540 S	*	12/2000	Peng	D14/216
D490,400 S	*	5/2004	Geeng	D14/211
D508,042 S	*	8/2005	Oikawa	D14/214
D563,391 S		3/2008	Skurdal	
D737,800 S	*	9/2015	Aleksandrov	D14/210
D829,313 S	*	9/2018	Cho	D23/364

FOREIGN PATENT DOCUMENTS

EM	002253898-0003	6/2013
EM	002253898-0004	6/2013

* cited by examiner

FIG. 1

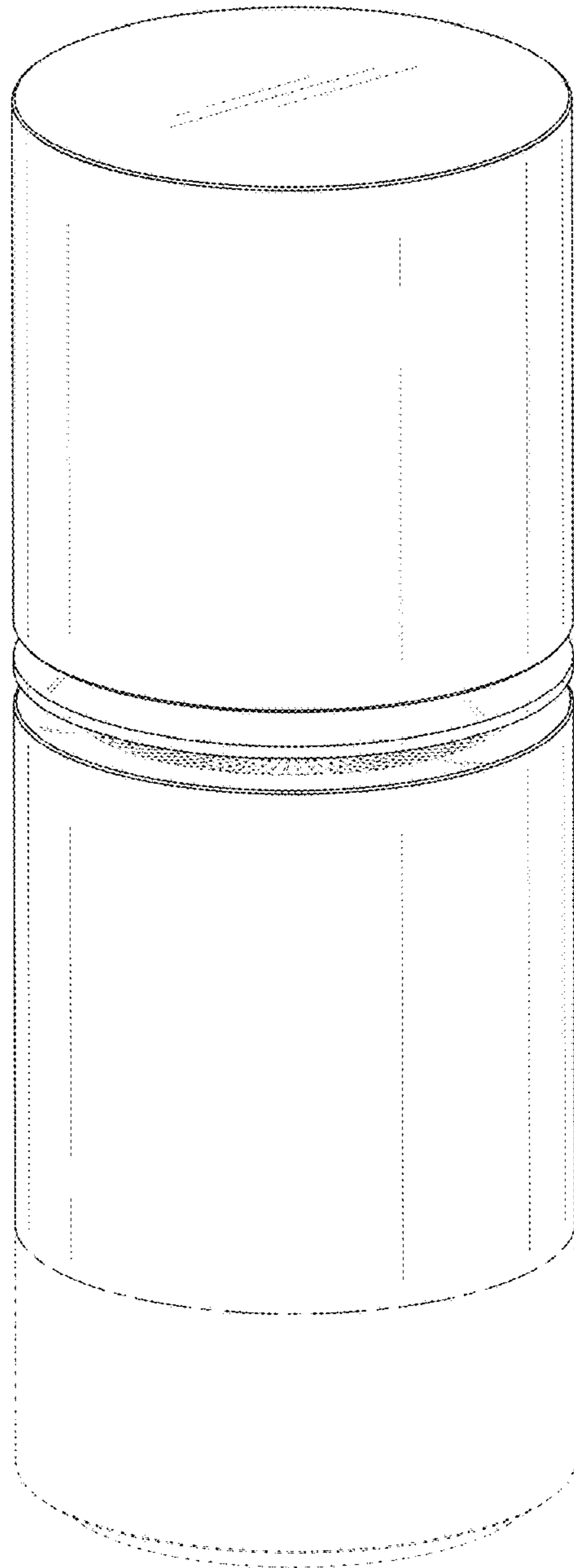


FIG. 2

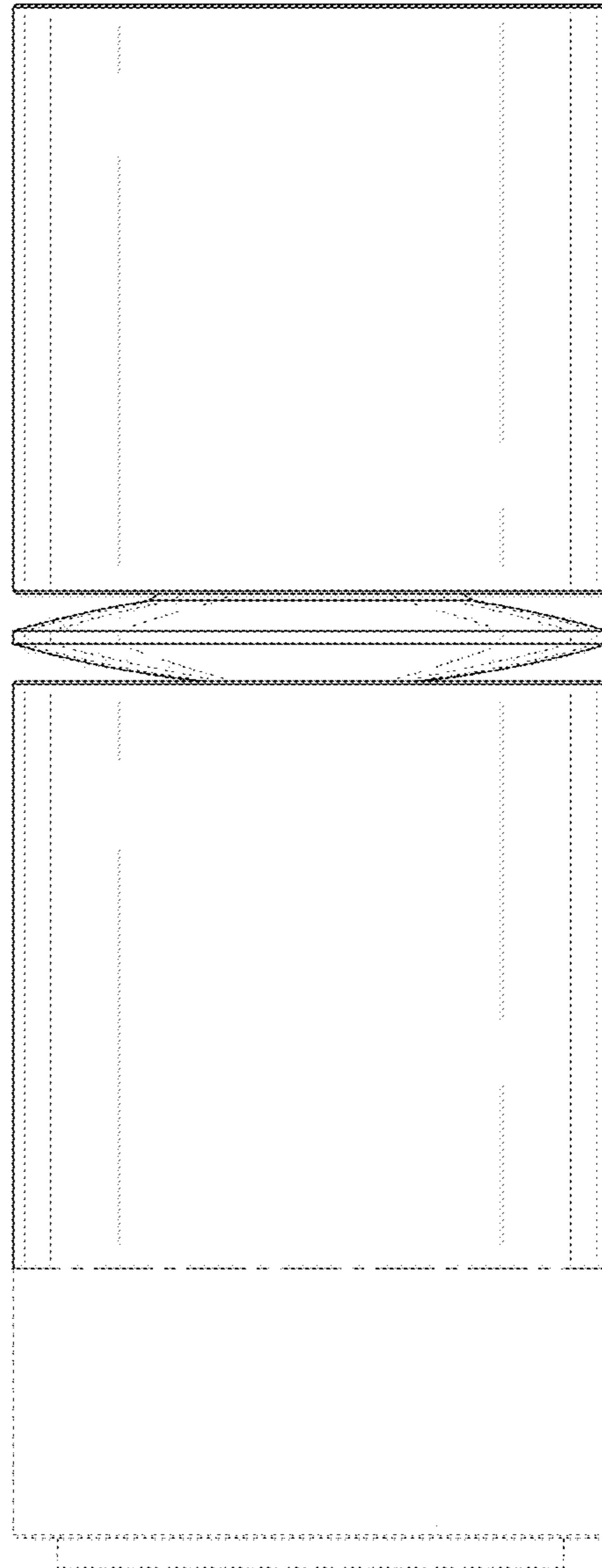


FIG. 3

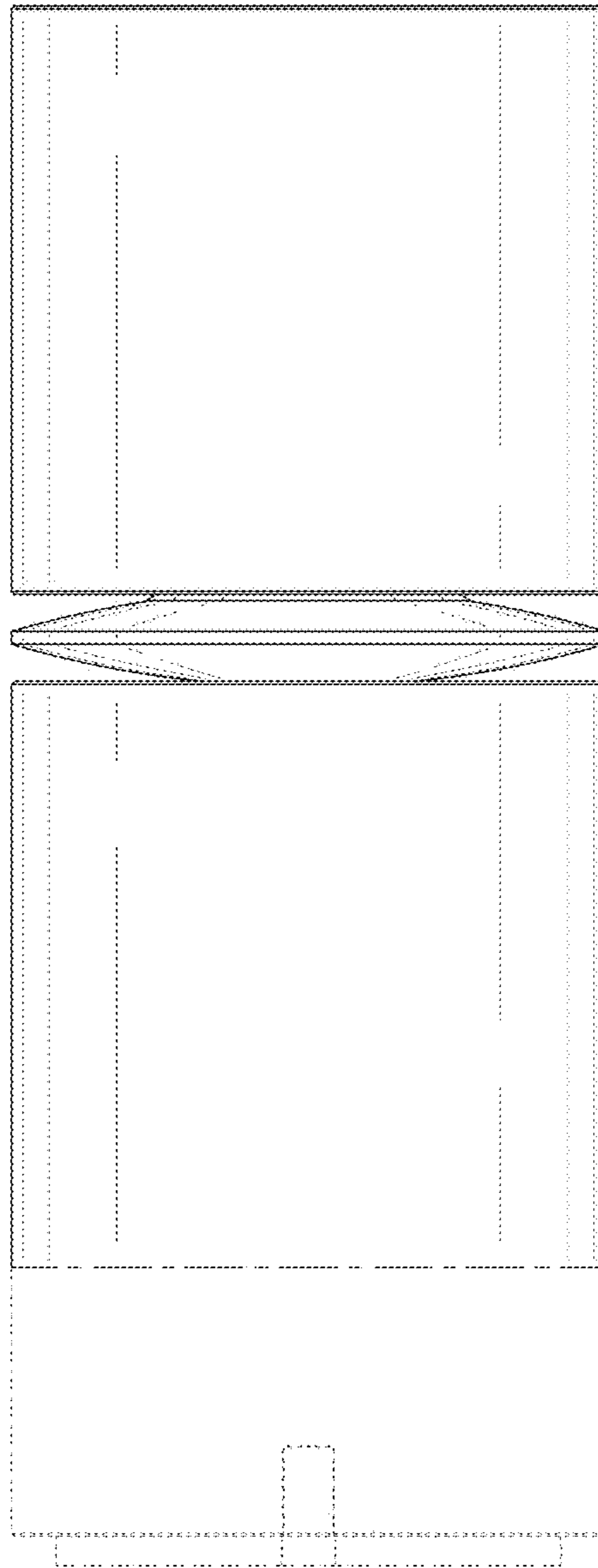


FIG. 4

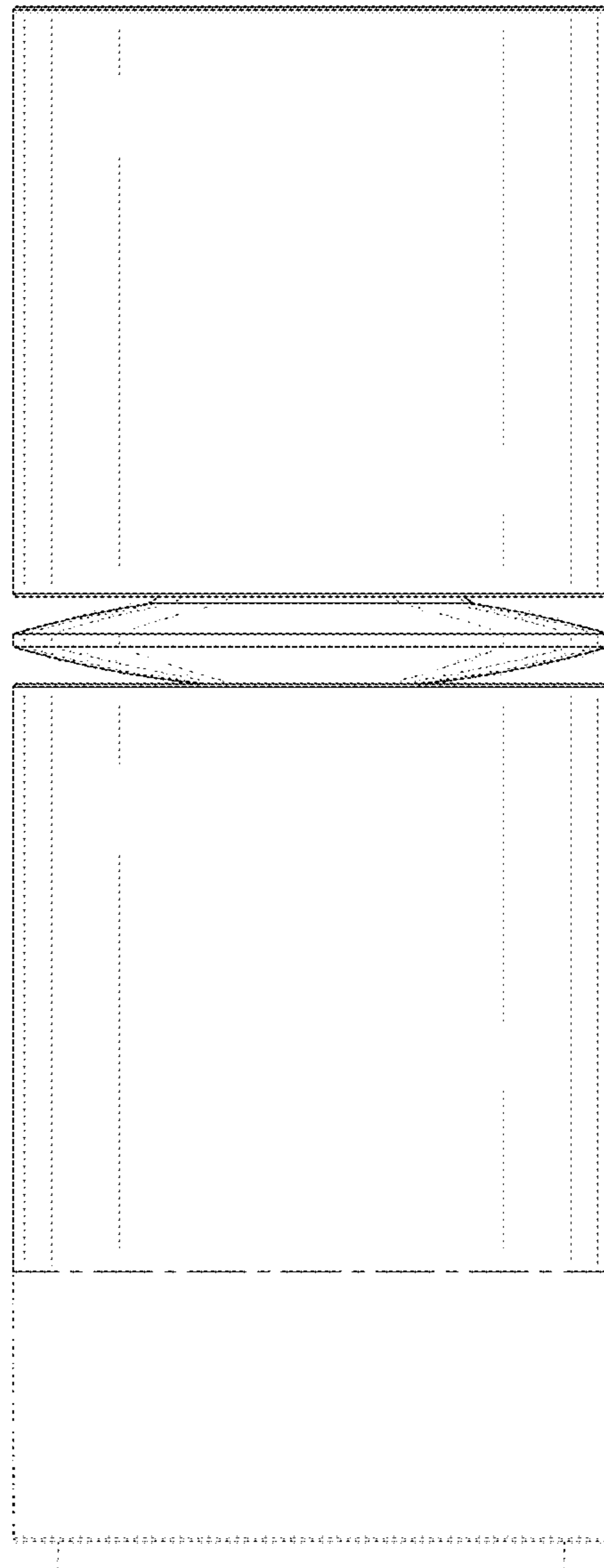


FIG. 5

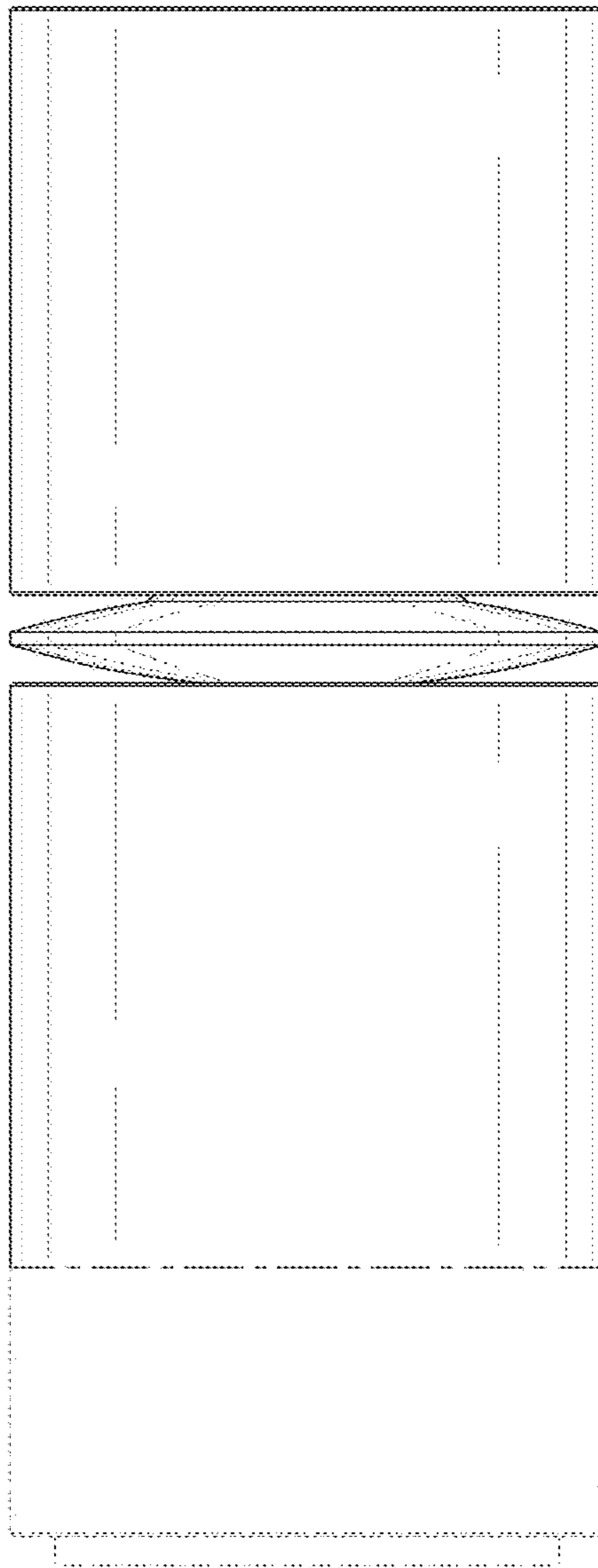


FIG. 6

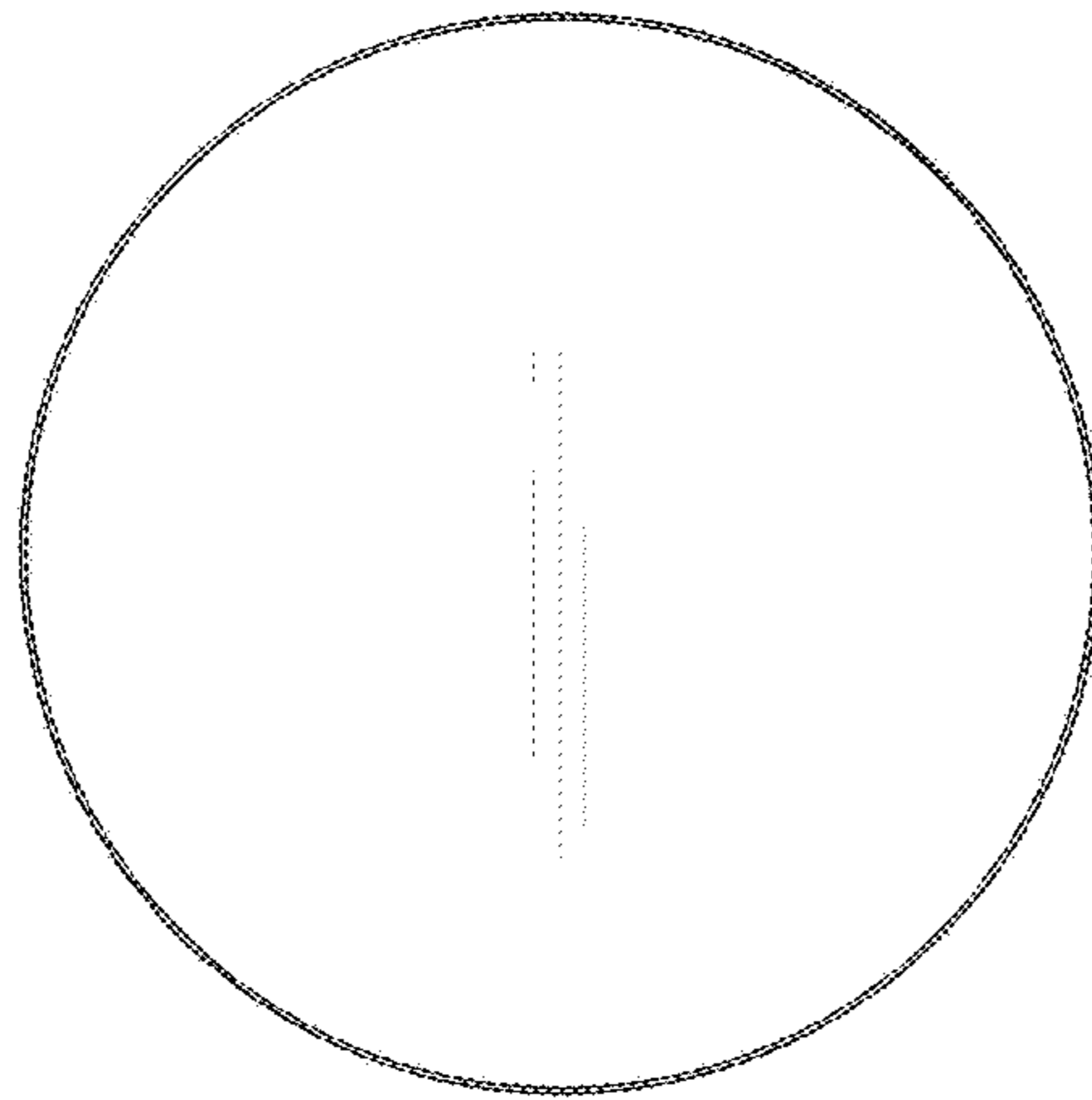


FIG. 7

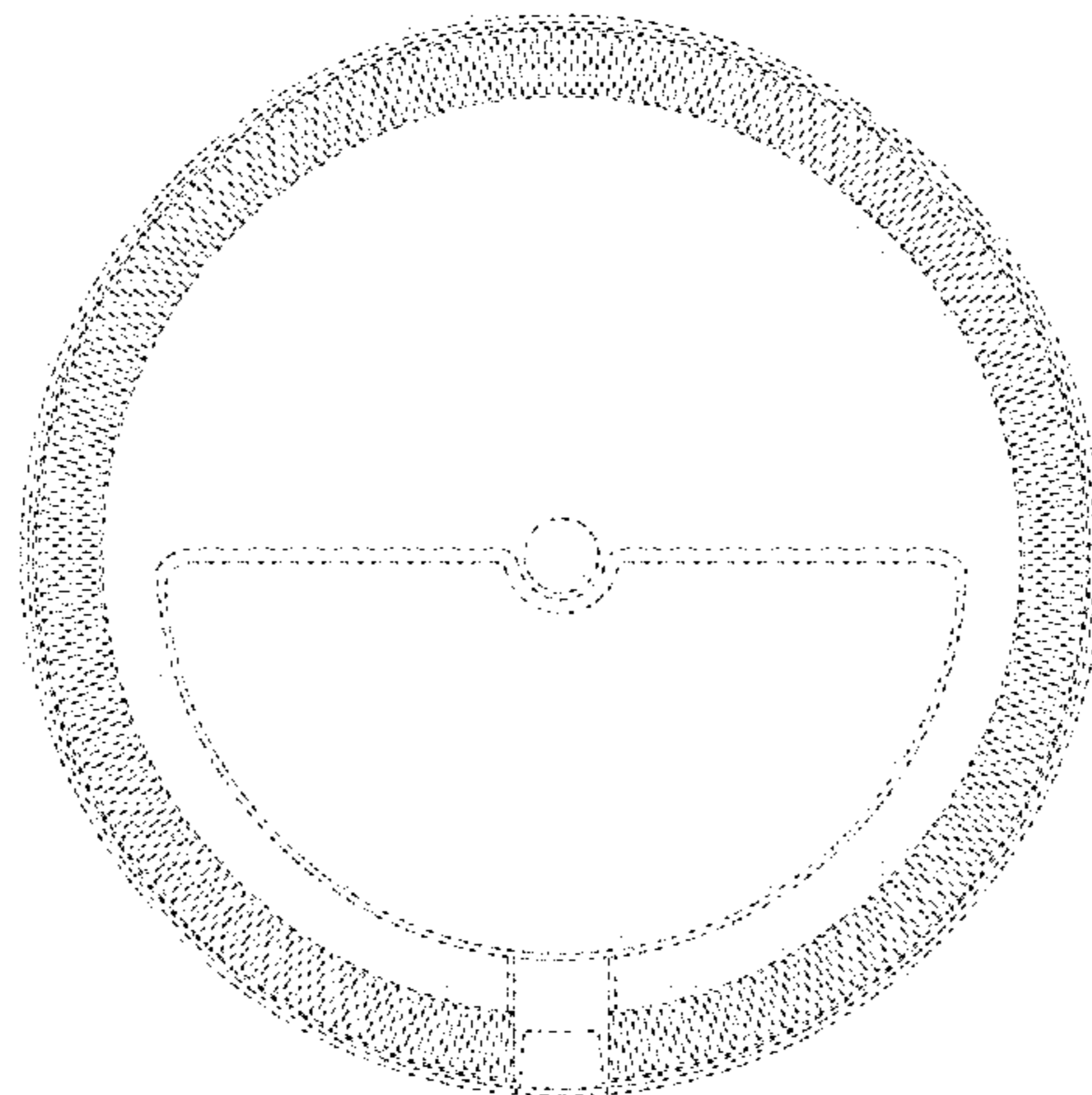


FIG. 8

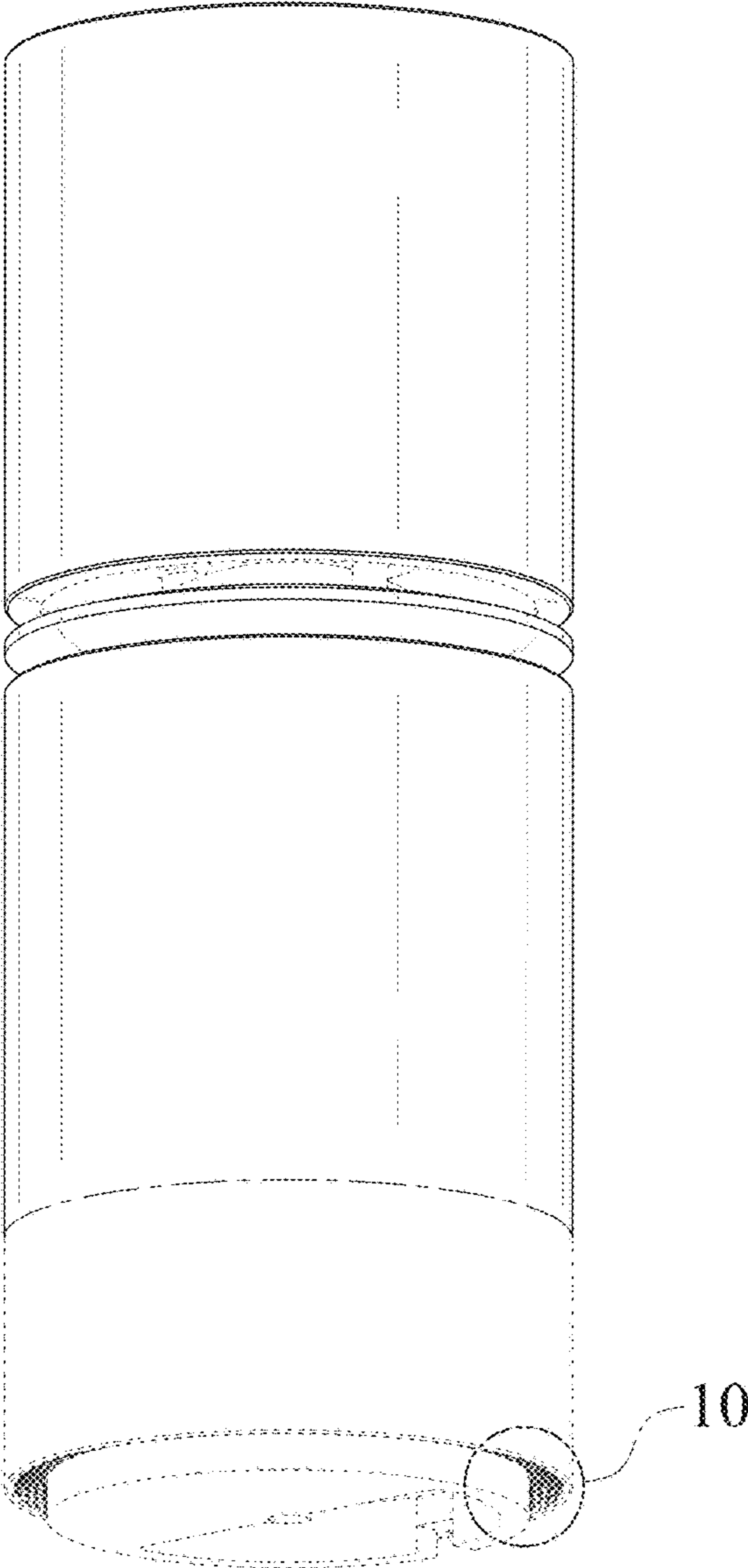


FIG. 9

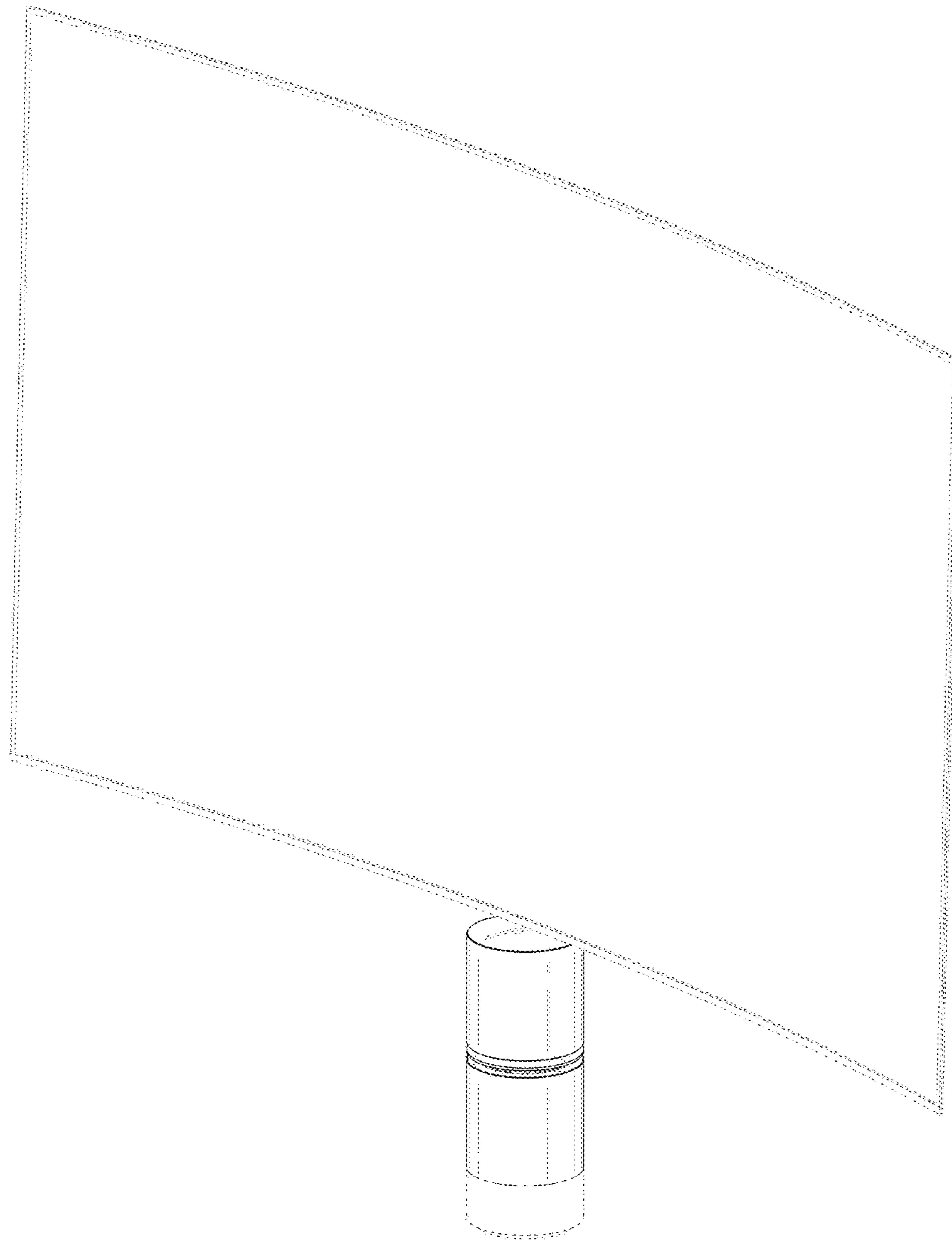


FIG. 10

