



US00D842840S

(12) **United States Design Patent**
Choi et al.

(10) **Patent No.:** **US D842,840 S**
(45) **Date of Patent:** **** Mar. 12, 2019**

(54) **SPEAKER**

- (71) Applicant: **Samsung Electronics Co., Ltd.**, Suwon-si (KR)
- (72) Inventors: **Gyoo-Sang Choi**, Suwon-si (KR);
Bum-Ho Chun, Yongin-si (KR);
Jun-Pyo Kim, Seoul (KR)
- (73) Assignee: **SAMSUNG ELECTRONICS CO., LTD.**, Suwon-si (KR)

(**) Term: **15 Years**

(21) Appl. No.: **29/569,773**

(22) Filed: **Jun. 30, 2016**

(30) **Foreign Application Priority Data**

Dec. 31, 2015 (KR) 30-2015-0067623

(51) **LOC (11) Cl.** **14-03**

(52) **U.S. Cl.**
USPC **D14/214**

(58) **Field of Classification Search**
USPC D14/167, 168, 170–172, 188, 194–196,
D14/204, 207, 209.1, 210–216, 219, 221,
D14/222, 224, 239, 496
CPC B60R 11/0217; G06F 1/1688; G10K 9/22;
G10K 11/004; H03F 1/327; H04M 1/03;
H04M 1/035; H04N 5/642; H04N
21/4852; H04R 1/02; H04R 1/06; H04R
1/021; H04R 1/025; H04R 1/026; H04R
1/028; H04R 1/105; H04R 1/323; H04R
1/403; H04R 1/2803; H04R 1/2834;
H04R 5/02; H04R 7/20; H04R 9/06;
H04R 9/025; H04R 2201/021; H04R
2400/00; H04R 2400/07;

(Continued)

(56) **References Cited**

U.S. PATENT DOCUMENTS

- D629,388 S * 12/2010 Son D14/214
- D706,303 S * 6/2014 Woo D14/203.1
- D715,259 S * 10/2014 Han D14/214

(Continued)

Primary Examiner — Keli L Hill

(74) *Attorney, Agent, or Firm* — McAndrews Held & Malloy, Ltd.

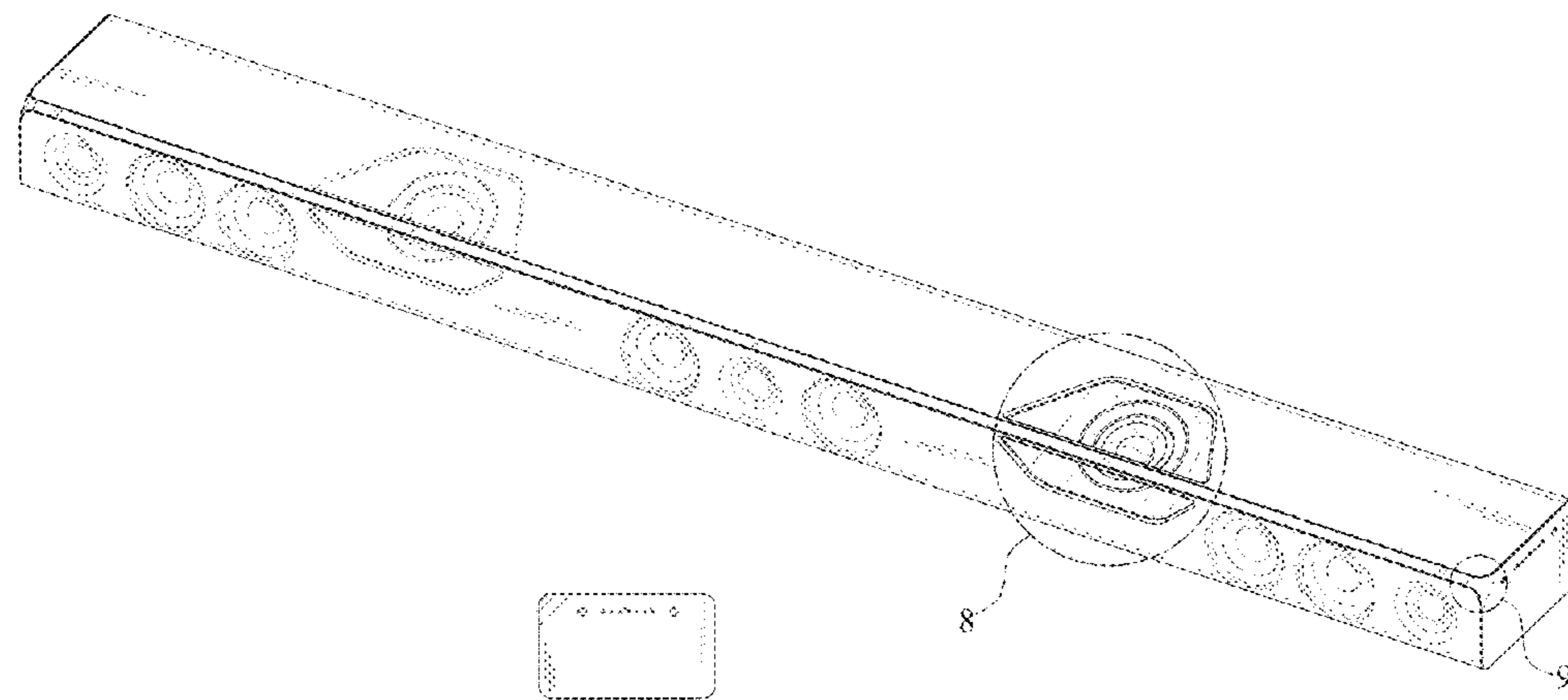
(57) **CLAIM**

The ornamental design for a speaker, as shown and described.

DESCRIPTION

FIG. 1 is a front perspective view of a speaker showing our new design;
FIG. 2 is a front elevation view thereof;
FIG. 3 is a rear elevation view thereof;
FIG. 4 is a left-side elevation view thereof;
FIG. 5 is a right-side elevation view thereof;
FIG. 6 is a top plan view thereof;
FIG. 7 is a bottom plan view thereof;
FIG. 8 is an enlarged front perspective view of the portion 8 encircled in FIG. 1;
FIG. 9 is an enlarged front perspective view of the portion 9 encircled in FIG. 1;
FIG. 10 is an enlarged front elevation view of the portion 10 encircled in FIG. 2;
FIG. 11 is a front perspective view, showing a speaker cover that forms no part of the claimed design to illustrate environment; and,
FIG. 12 is an enlarged front perspective view of the portion 12 encircled in FIG. 11, showing a speaker cover that forms no part of the claimed design to illustrate environment.
The dashed broken lines in the drawings illustrate portions of the speaker, and a speaker cover to illustrate environment, that form no part of the claimed design.

(Continued)



The dot-dash broken lines in the drawings encircle portions of the claimed design that are illustrated in enlargements and form no part of the claimed design.

1 Claim, 12 Drawing Sheets

(58) **Field of Classification Search**

CPC H04R 2499/11; H04R 2499/13; H04R
2499/15; H04S 3/00; H04S 7/30

See application file for complete search history.

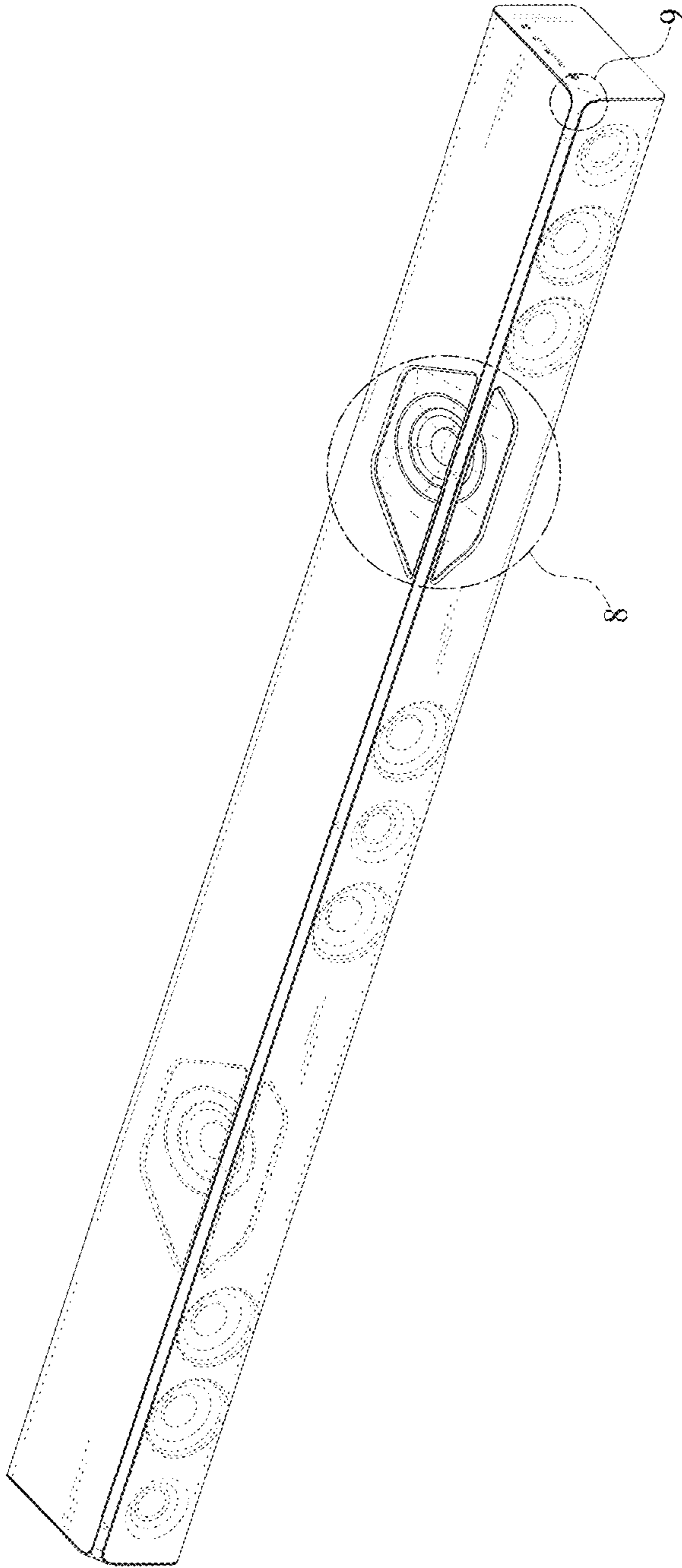
(56) **References Cited**

U.S. PATENT DOCUMENTS

D768,603 S	*	10/2016	Kim	D14/214
D802,560 S	*	11/2017	Kitazawa	D14/214
D815,618 S	*	4/2018	Choi	D14/214
D816,063 S	*	4/2018	Choi	D14/214
D826,207 S	*	8/2018	Kim	D14/204

* cited by examiner

FIG. 1



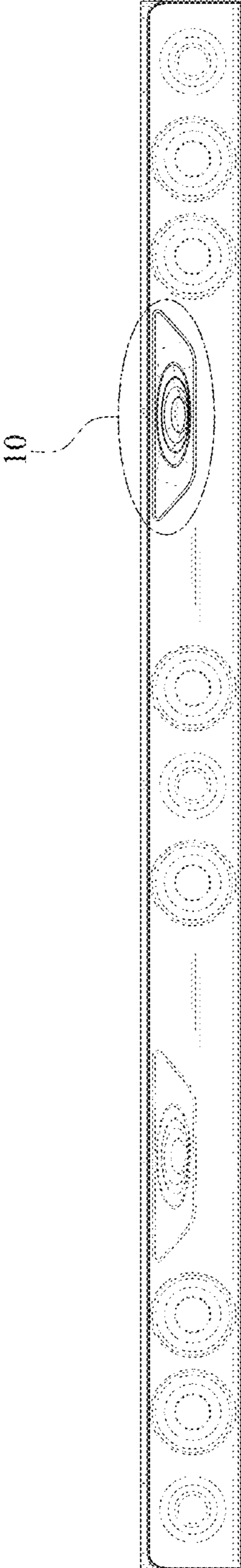


FIG. 2

FIG. 3

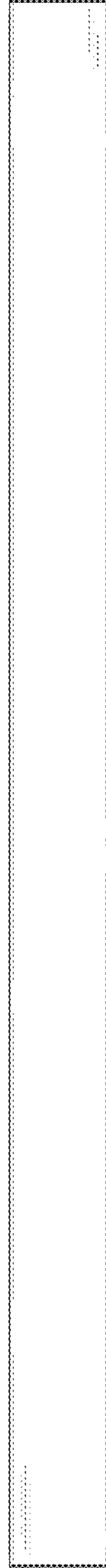


FIG. 4

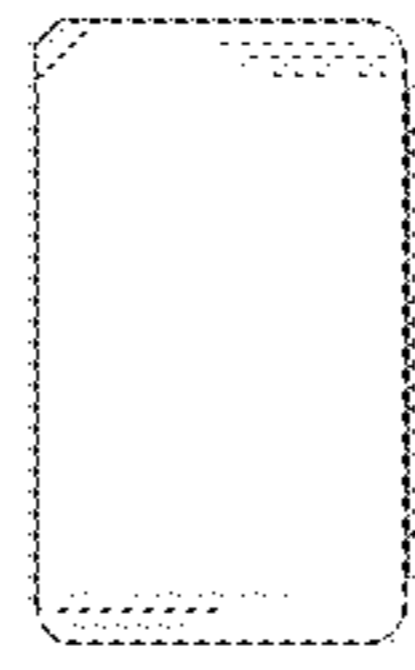


FIG. 5

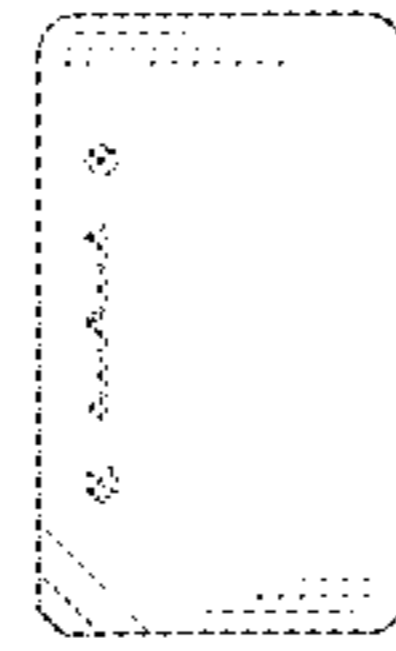


FIG. 6

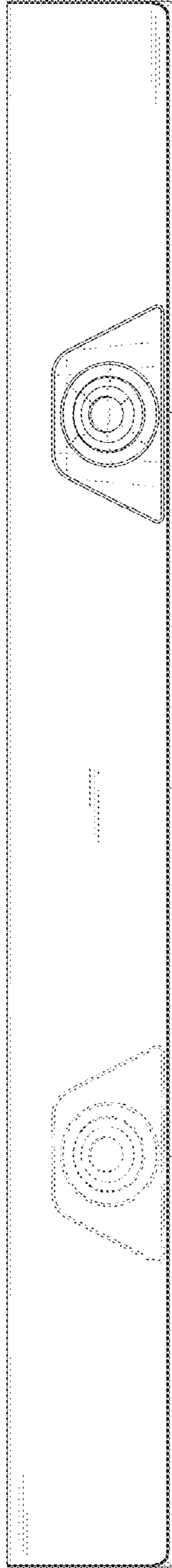


FIG. 7

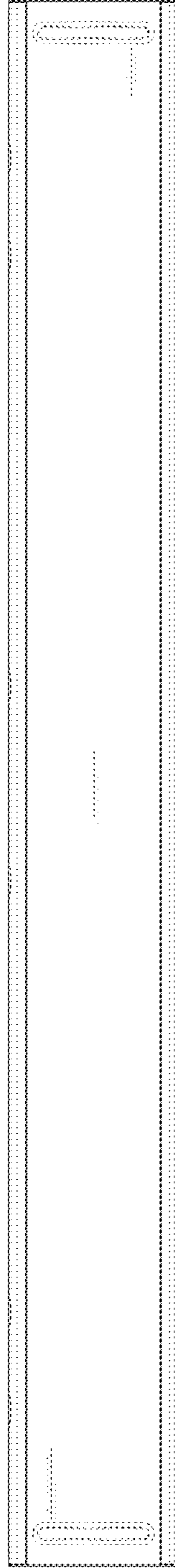


FIG. 8

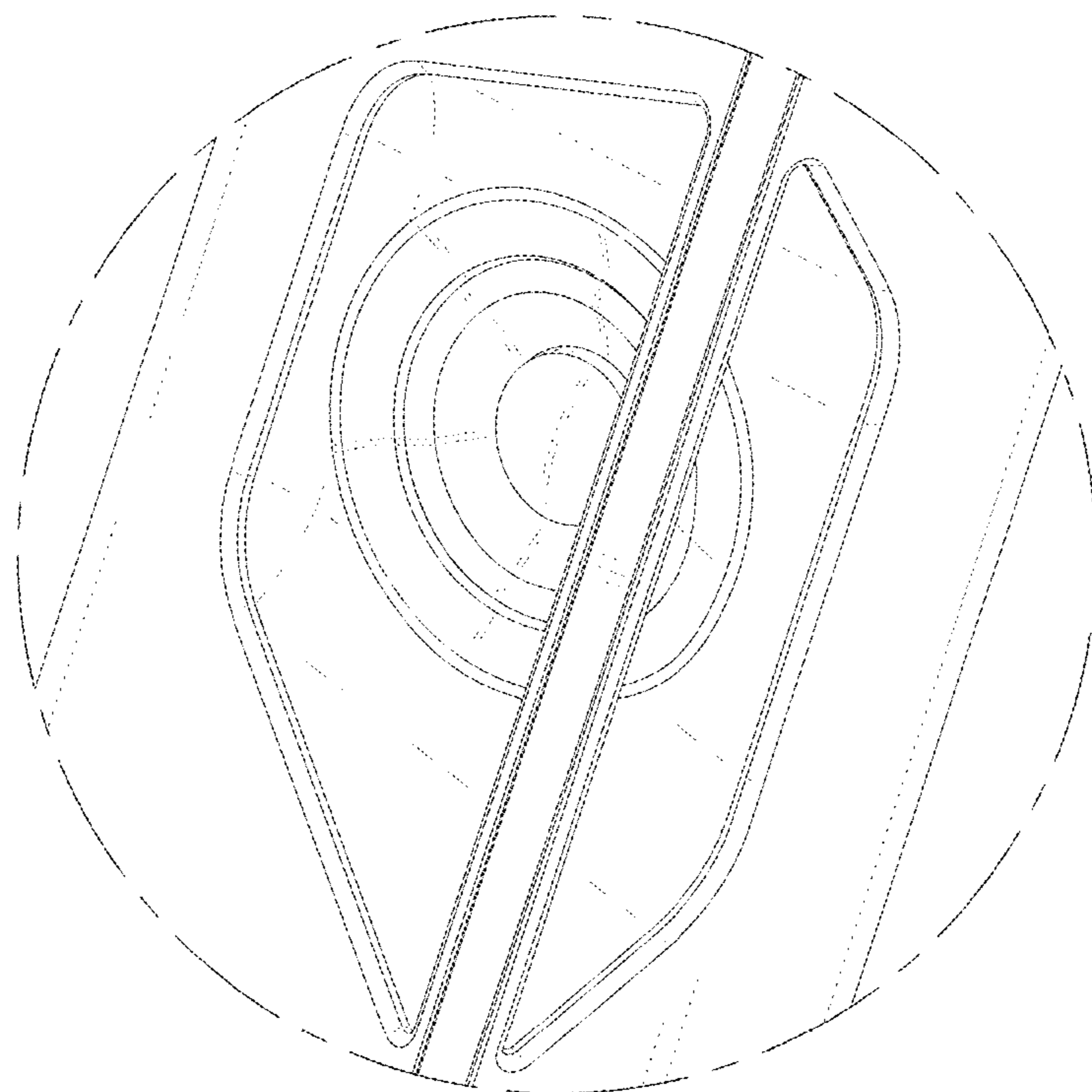


FIG. 9

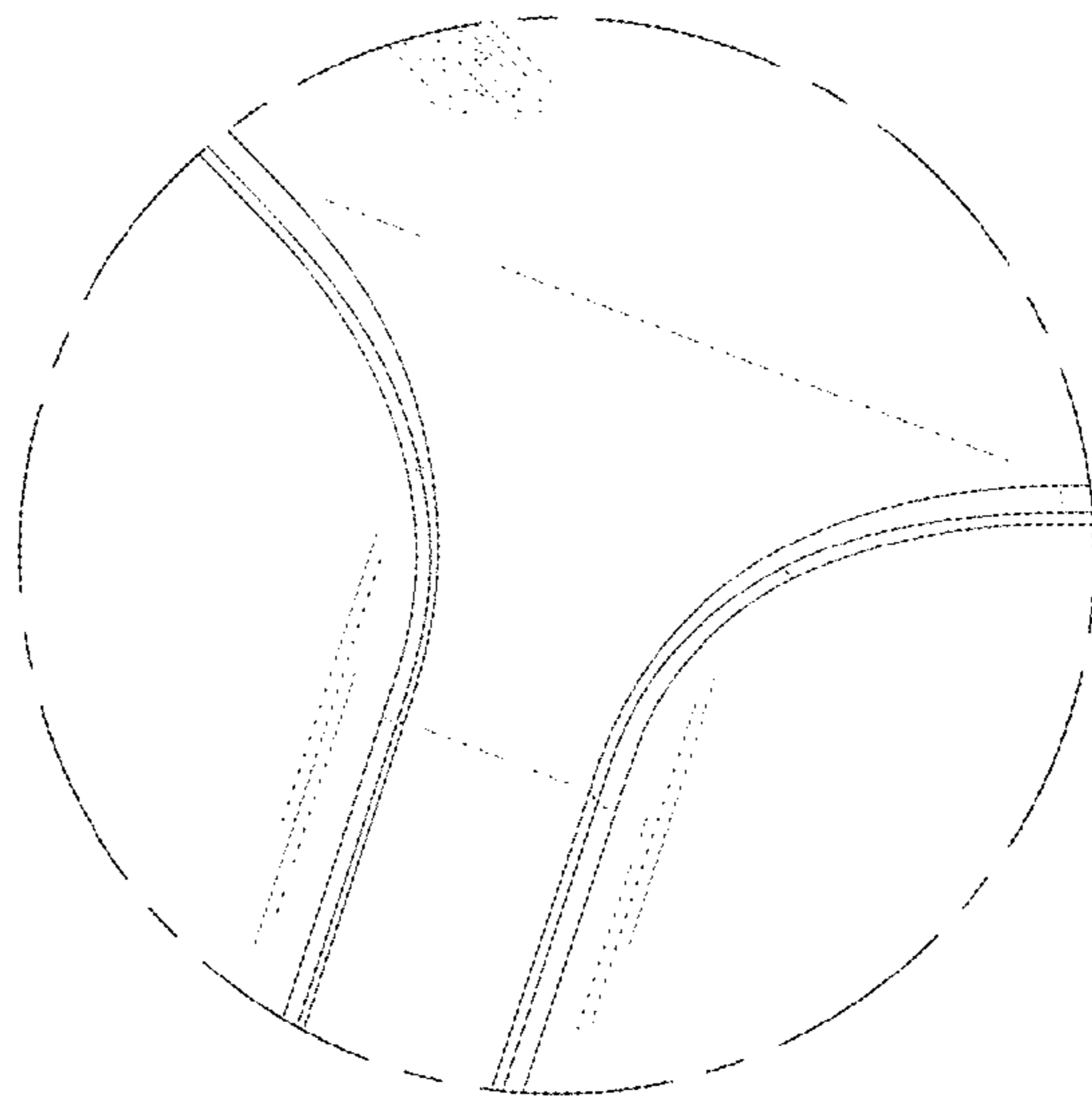


FIG. 10

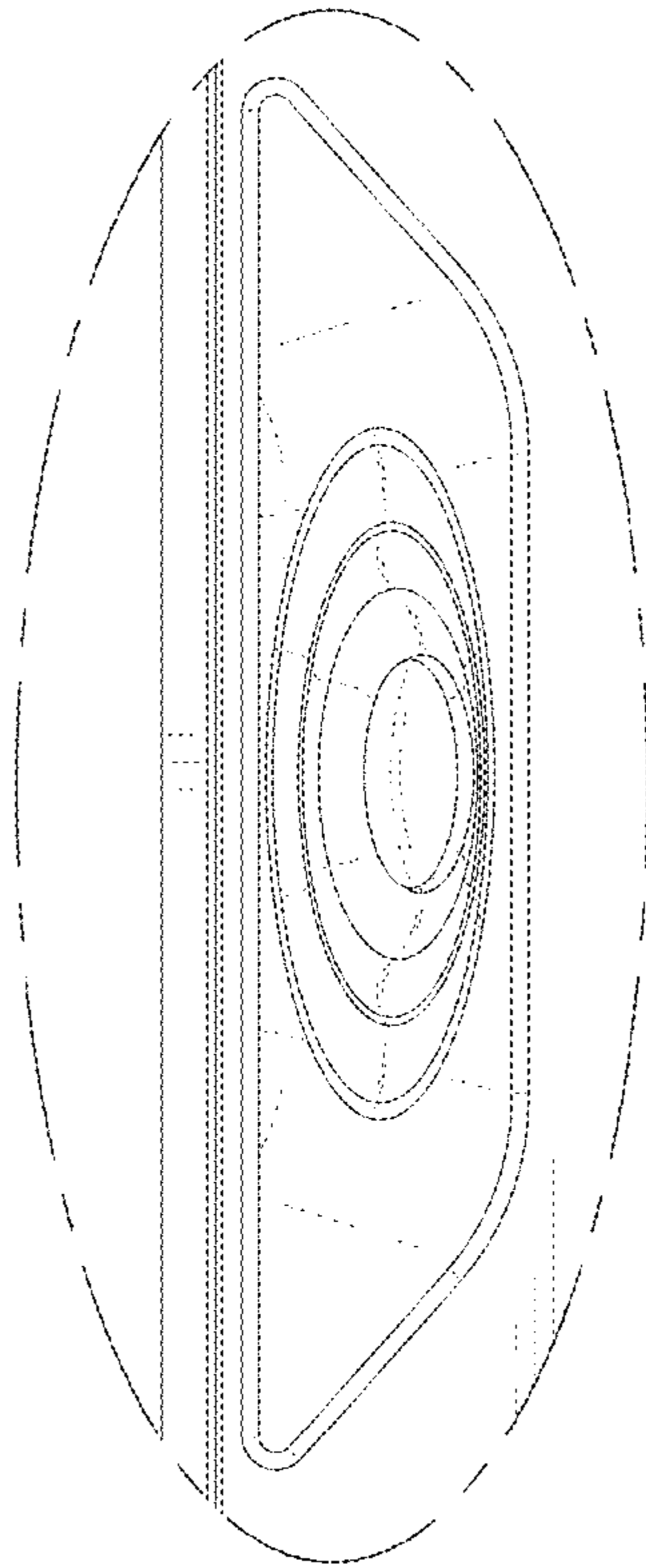


FIG. 11

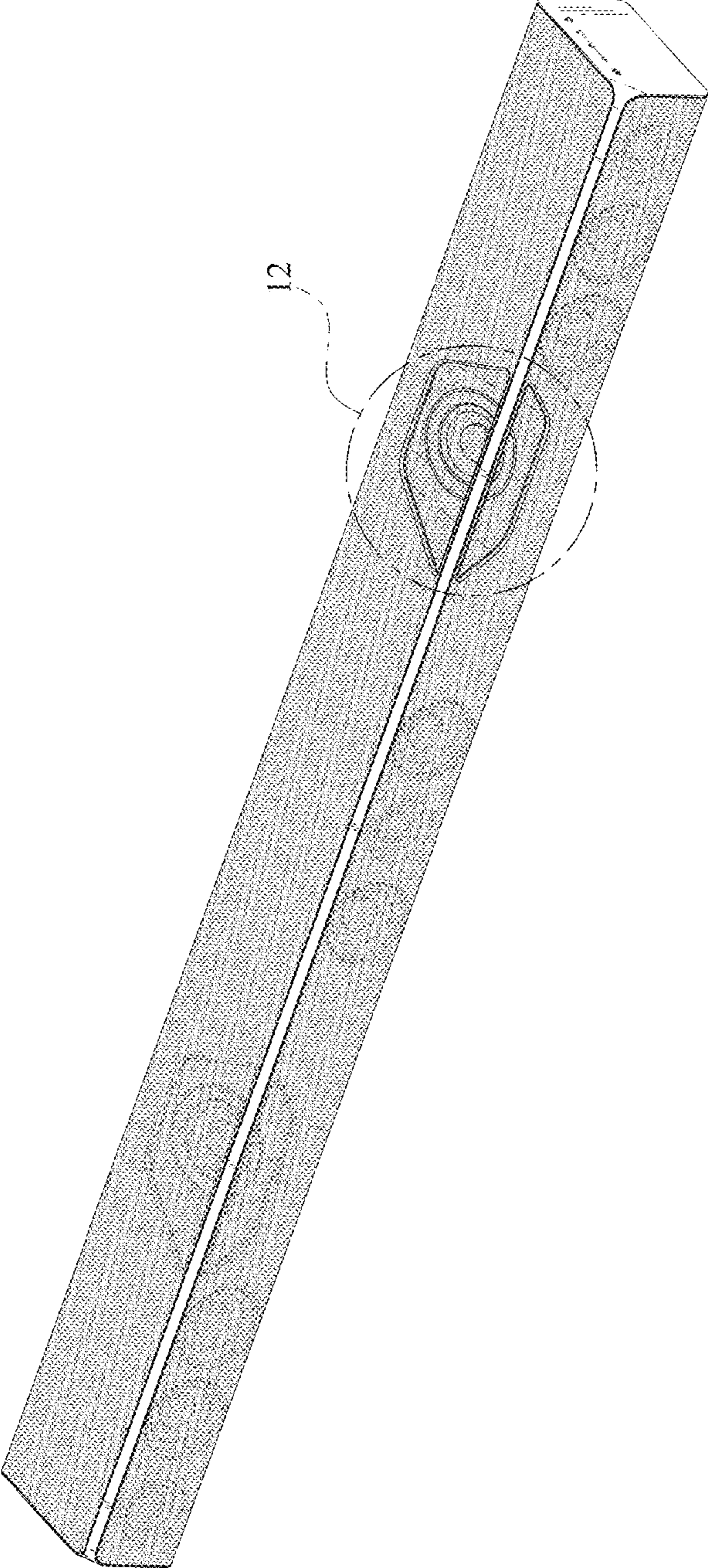


FIG. 12

