



US00D842836S

(12) **United States Design Patent**
Ma

(10) **Patent No.:** **US D842,836 S**

(45) **Date of Patent:** **** Mar. 12, 2019**

(54) **WIRELESS HEADSET**

(71) Applicant: **Shaowu Ma**, Guangdong (CN)

(72) Inventor: **Shaowu Ma**, Guangdong (CN)

(**) Term: **15 Years**

(21) Appl. No.: **29/610,833**

(22) Filed: **Jul. 17, 2017**

(51) **LOC (11) Cl.** **14-01**

(52) **U.S. Cl.**
USPC **D14/205**

(58) **Field of Classification Search**
USPC D14/205, 223; 181/129, 130, 135;
379/430, 431; 381/380, 381, 374, 375,
381/74, 378; 455/90.3, 575.1, 569.1
CPC .. H04R 1/1033; H04R 1/1066; H04R 1/1016;
H04R 25/00; H04R 1/10; H04R 5/033;
H04R 5/0335; H04R 1/105
See application file for complete search history.

(56) **References Cited**

U.S. PATENT DOCUMENTS

2,566,313	A *	9/1951	Cates	H04R 25/55 181/130
2,611,831	A *	9/1952	Cates	H04M 1/05 181/130
5,792,998	A *	8/1998	Gardner, Jr.	A61F 11/14 181/130
D426,880	S *	6/2000	Leight	D14/223
D457,515	S *	5/2002	Masamitsu	D14/192
6,792,122	B1 *	9/2004	Okada	H04R 1/26 381/151
7,120,268	B2 *	10/2006	Murozaki	H04R 1/105 381/381
7,184,565	B2 *	2/2007	Ohta	H04R 1/1033 381/381
D550,202	S *	9/2007	Meier	D14/206
D584,283	S *	1/2009	Soetejo	D14/205

D588,113	S *	3/2009	Bradford	D14/223
D590,810	S *	4/2009	Komiyama	D14/205
D603,378	S *	11/2009	Paradise	D14/223
D605,172	S *	12/2009	Seade	D14/205
D617,308	S *	6/2010	Nousiainen	D14/205
D620,927	S *	8/2010	Li	D14/223
D640,242	S *	6/2011	Fahrendorff	D14/223
D641,008	S *	7/2011	Lee	D14/223
D643,830	S *	8/2011	Fish	D14/205
8,090,135	B2 *	1/2012	Lin	H04R 1/083 381/381
D655,277	S *	3/2012	Wai	D14/223
D671,523	S *	11/2012	Daniel	D14/206
D691,580	S *	10/2013	Cho	D14/205
D693,796	S *	11/2013	Birger	D14/223
8,654,987	B2 *	2/2014	Palma	H04R 1/1041 381/370
D715,253	S *	10/2014	Lee	D14/205
D717,765	S *	11/2014	Rausch	D14/205
D722,040	S *	2/2015	Tan	D14/205
D739,377	S *	9/2015	Yeom	D14/205
D741,299	S *	10/2015	Brunner	D14/223

(Continued)

Primary Examiner — Paula Allen Greene

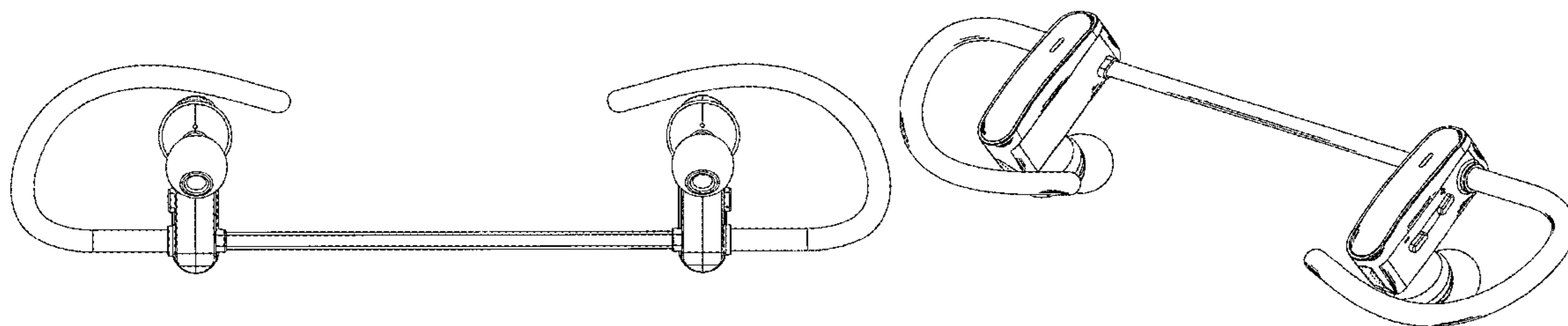
(57) **CLAIM**

The ornamental design for wireless headset, as shown and described.

DESCRIPTION

FIG. 1 is a front elevational view of wireless headset showing my new design;
FIG. 2 is a rear elevational view thereof;
FIG. 3 is a left side elevational view thereof;
FIG. 4 is a right side elevational view thereof;
FIG. 5 is a top plan view thereof;
FIG. 6 is a bottom plan view thereof; and,
FIG. 7 is a perspective view thereof.
The broken line depict environment that forms no part of the claimed design.

1 Claim, 7 Drawing Sheets



(56)

References Cited

U.S. PATENT DOCUMENTS

D745,862 S *	12/2015	Otani	D14/223
D746,267 S *	12/2015	Birger	D14/223
D767,532 S *	9/2016	Jen	D14/205
D778,256 S *	2/2017	Jung	D14/205
D782,442 S *	3/2017	Chen	D14/205
D782,996 S *	4/2017	Zhu	D14/205
D785,594 S *	5/2017	Zaihui	D14/205
D790,501 S *	6/2017	Wang	D14/205
D801,950 S *	11/2017	Otani	D14/223
D810,720 S *	2/2018	Lee	D14/205
D816,060 S *	4/2018	Wei	D14/205
D817,920 S *	5/2018	Paschke	D14/205
D822,636 S *	7/2018	Liu	D14/205
2009/0304220 A1 *	12/2009	Fujikura	H04R 1/1091 381/380
2010/0166208 A1 *	7/2010	Kato	H04R 1/1033 381/74
2012/0189136 A1 *	7/2012	Brown	H04R 1/1041 381/74
2016/0261946 A1 *	9/2016	Chen	H04R 1/1016

* cited by examiner

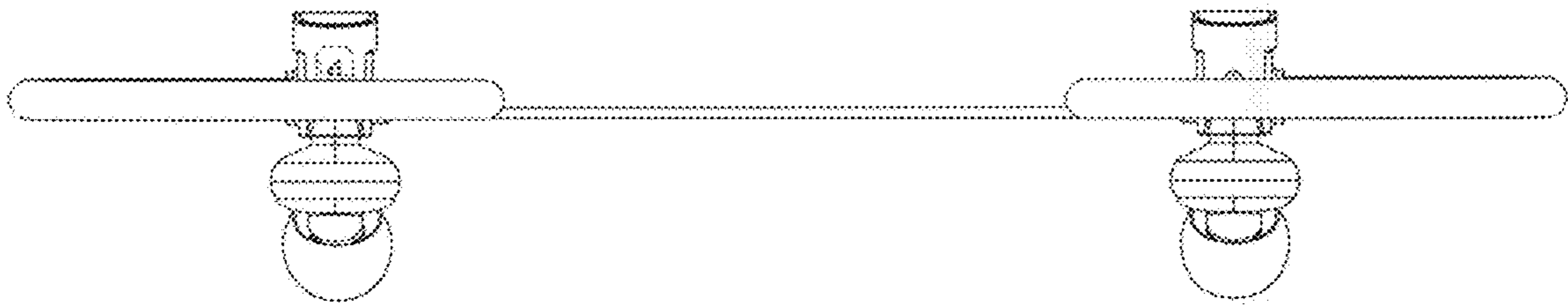


FIG. 1

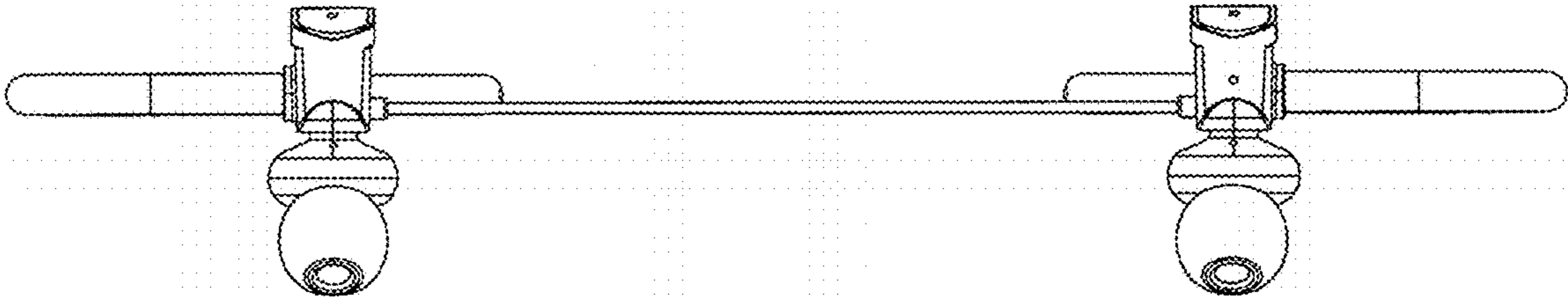


FIG.2

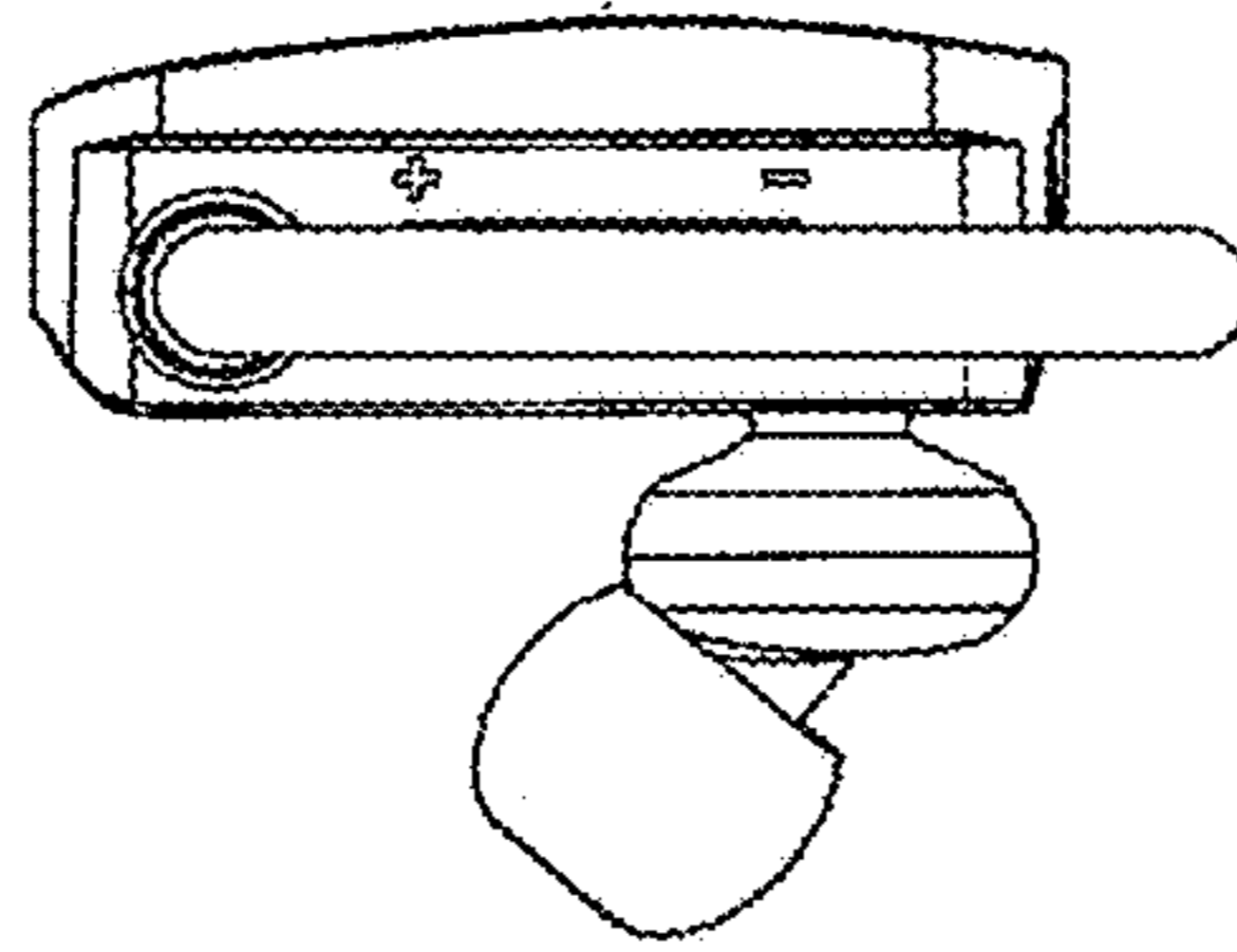


FIG.3

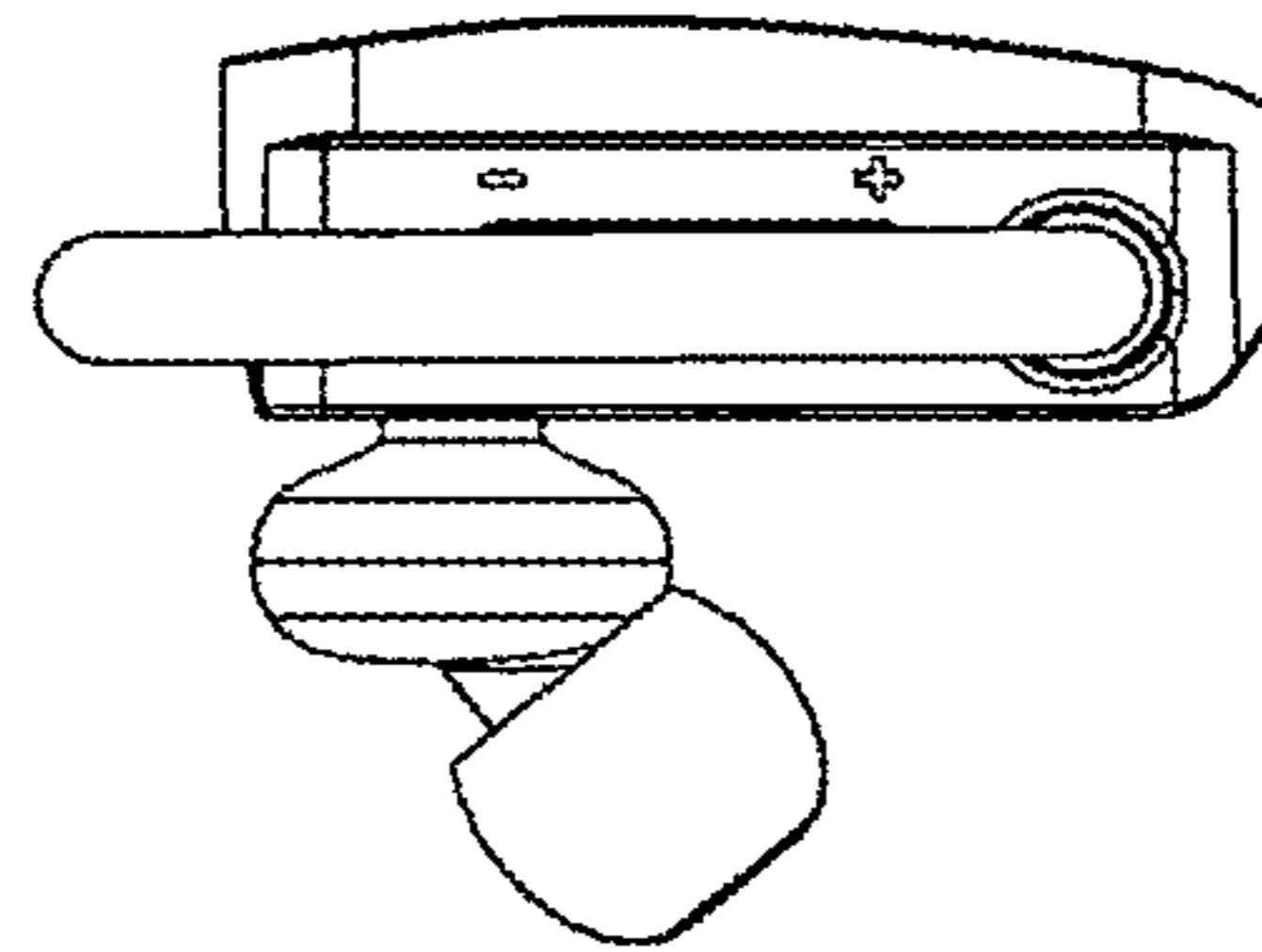


FIG.4

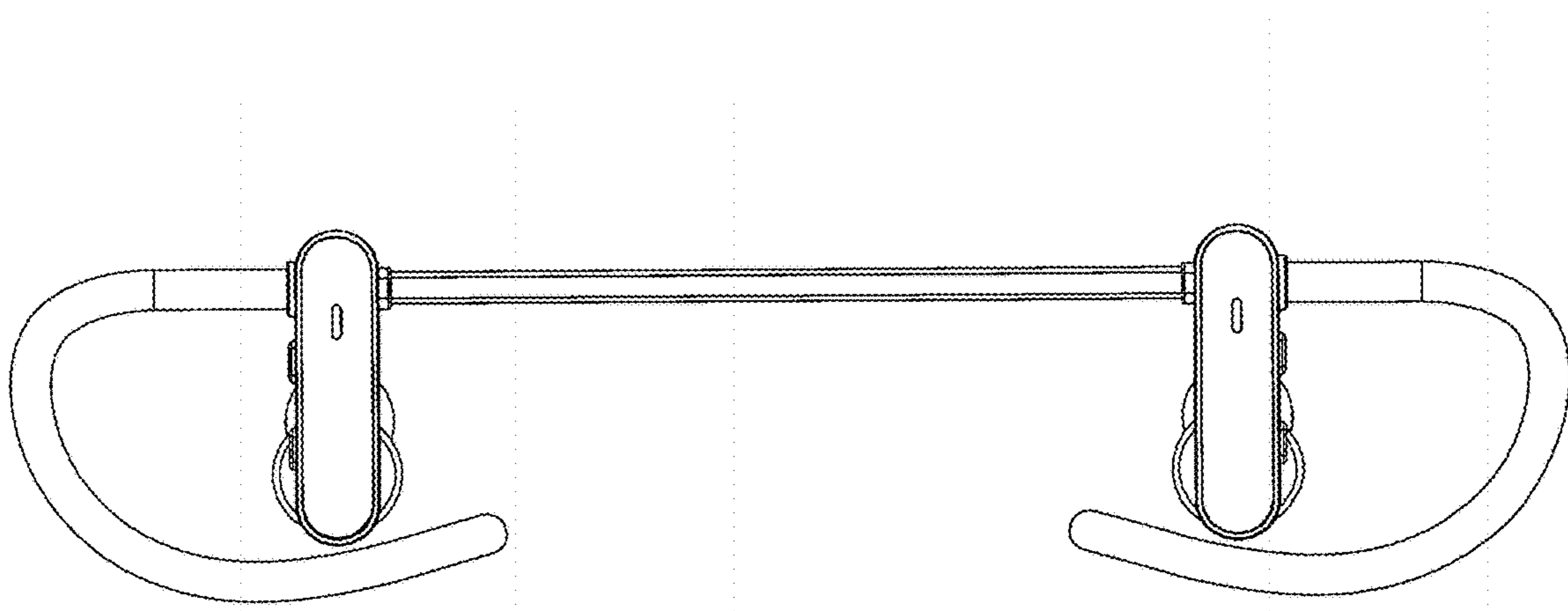


FIG.5

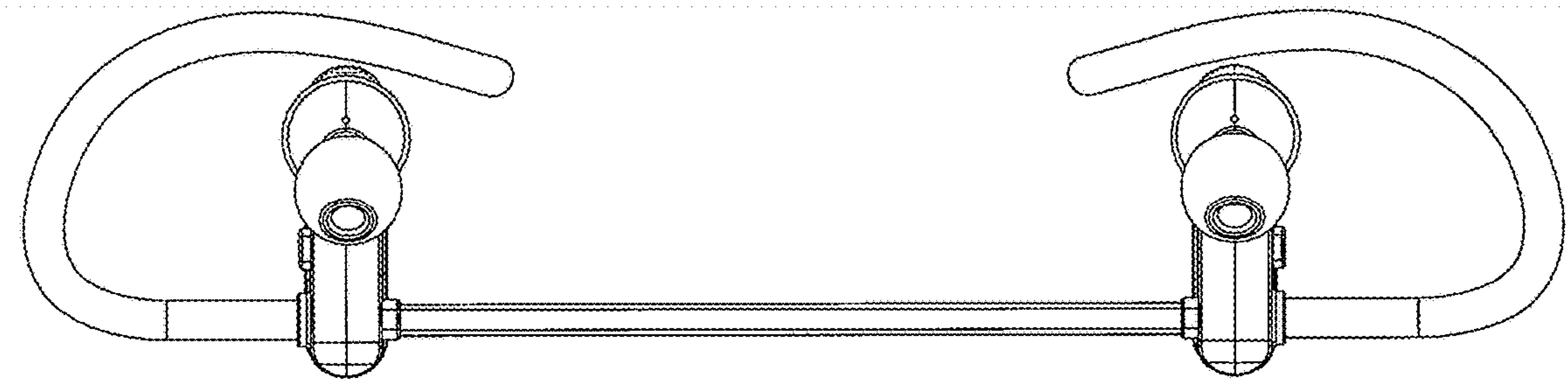


FIG.6

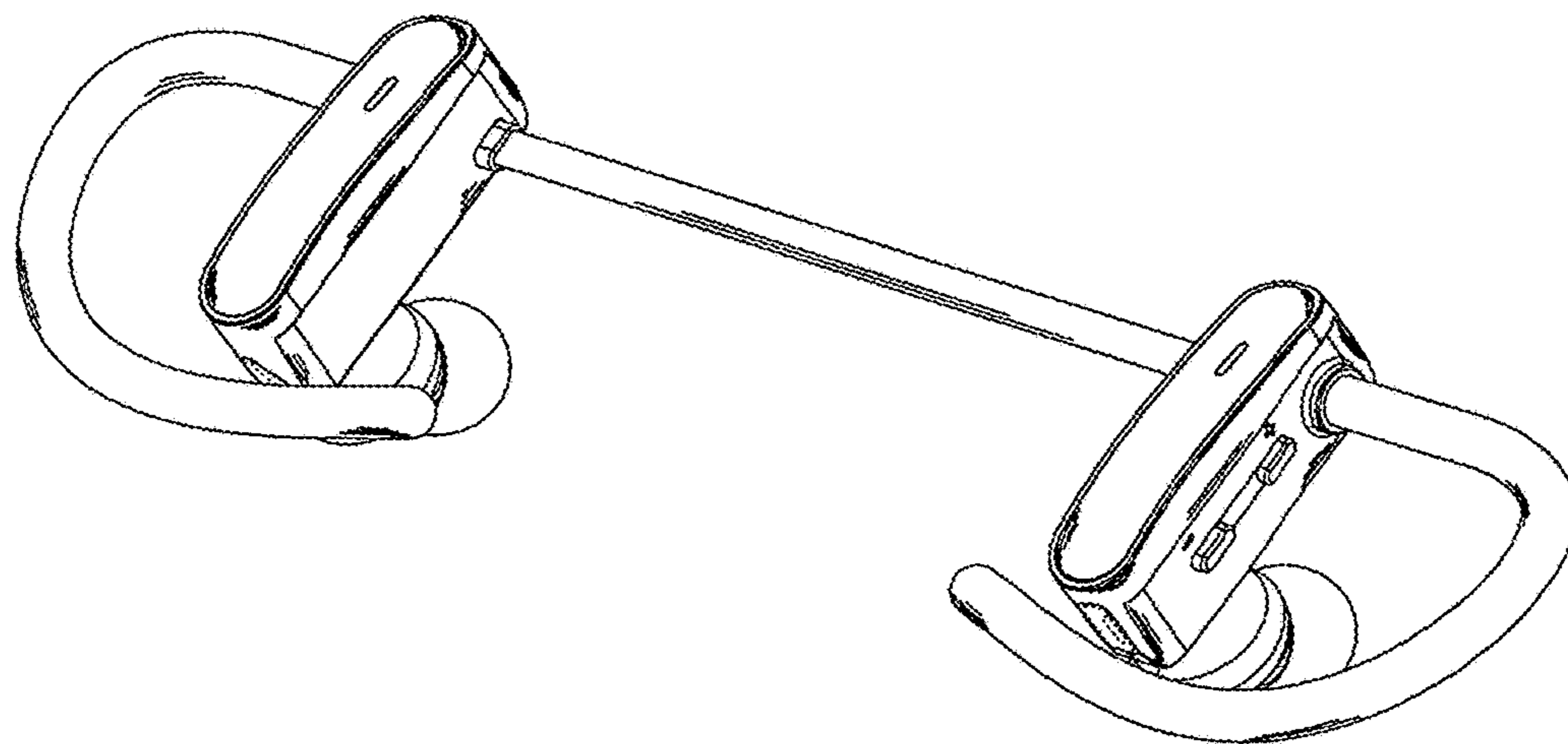


FIG.7