

US00D842835S

(12) **United States Design Patent**
Lehman et al.

(10) **Patent No.:** **US D842,835 S**
(45) **Date of Patent:** **** Mar. 12, 2019**

(54) **RADIO HOUSING**

(71) Applicant: **Telefonaktiebolaget LM Ericsson (Publ)**, Stockholm (SE)

(72) Inventors: **Brian Lehman**, Ottawa (CA); **Thomas Burn**, Ottawa (CA); **Scott Mason**, Ottawa (CA); **David Pell**, Carp (CA); **Jianjun An**, Beijing (CN); **Mårten Skoger**, Huddinge (SE)

(73) Assignee: **TELEFONAKTIEBOLAGET LM ERICSSON (PUBL)**, Stockholm (SE)

(**) Term: **15 Years**

(21) Appl. No.: **29/616,262**

(22) Filed: **Sep. 5, 2017**

(51) **LOC (11) Cl.** **14-03**

(52) **U.S. Cl.**
USPC **D14/188**

(58) **Field of Classification Search**
USPC D14/167, 168, 170–172, 188, 192, D14/194–196, 204, 205, 207, 209.1, D14/210–216, 219, 221–223, 496; 181/198, 199; 381/300, 303, 332, 334, 381/336, 345
CPC H04R 1/02; H04R 1/021; H04R 1/025; H04R 1/026; H04R 1/028; H04R 1/34; H04R 1/40; H04R 1/323; H04R 1/403; H04R 1/345; H04R 1/2803; H04R 1/2834; H04R 5/02; H04R 9/06; H04R 2201/021; H04R 2400/00; H04R 2400/07; H04R 2400/03; H04R 5/033; H04R 5/0335; B60R 11/0217; G06F 1/1688; G10K 9/22; G10K 11/004; H03F 1/327; H04N 5/642

See application file for complete search history.

(56) **References Cited**

U.S. PATENT DOCUMENTS

D386,761 S * 11/1997 Pleitz D14/188
5,787,576 A 8/1998 Warren et al.

D409,612 S * 5/1999 McCann D14/188
D415,157 S * 10/1999 Rabbani D14/188
D415,493 S * 10/1999 Shieber D14/188
D476,306 S * 6/2003 Abe D14/188
D480,696 S * 10/2003 Escorcia D14/137
D719,546 S * 12/2014 Fan D14/188
D826,336 S * 8/2018 Christie D21/332
2013/0222201 A1 8/2013 Ma et al.
2016/0261030 A1 9/2016 Kim et al.
2018/0316086 A1* 11/2018 Lehman H01Q 1/42

FOREIGN PATENT DOCUMENTS

GB 2 310 571 A 8/1997
GB 2 337 861 A 12/1999
WO 2013/123913 A1 9/2013

OTHER PUBLICATIONS

International Search Report and Written Opinion dated Sep. 12, 2018 issued in corresponding PCT Application No. PCT/IB2018/052920, consisting of 17 pages.

* cited by examiner

Primary Examiner — R. Johnson

(74) *Attorney, Agent, or Firm* — Christopher & Weisberg, P.A.

(57) **CLAIM**

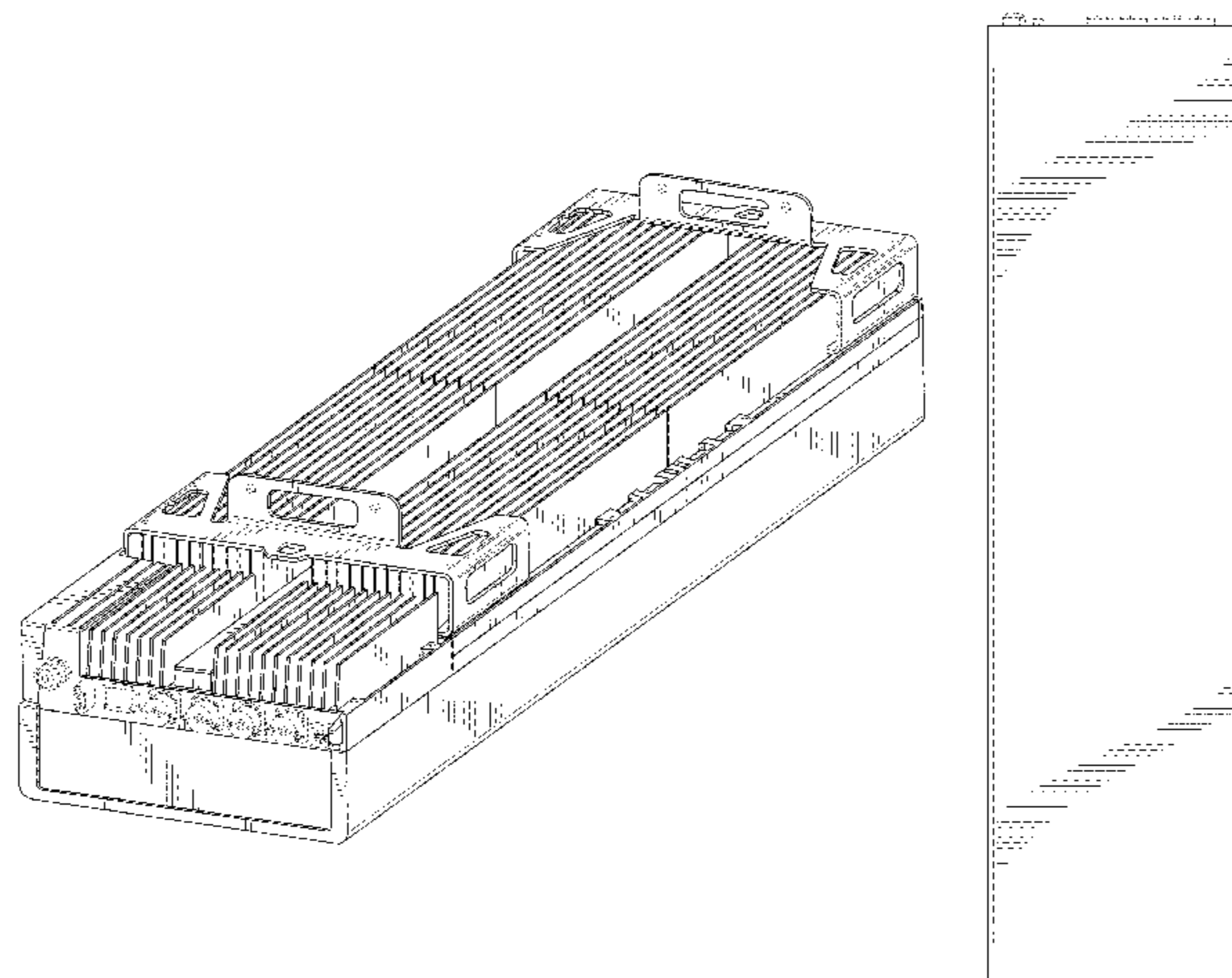
The ornamental design for a radio housing, as shown and described.

DESCRIPTION

FIG. 1 is rear perspective view of a radio housing;
FIG. 2 is a rear view thereof;
FIG. 3 is a front view thereof;
FIG. 4 is a left side view thereof;
FIG. 5 is a right side view thereof;
FIG. 6 is a bottom view thereof; and,
FIG. 7 top view thereof.

The broken lines form no part of the claimed invention.

1 Claim, 5 Drawing Sheets



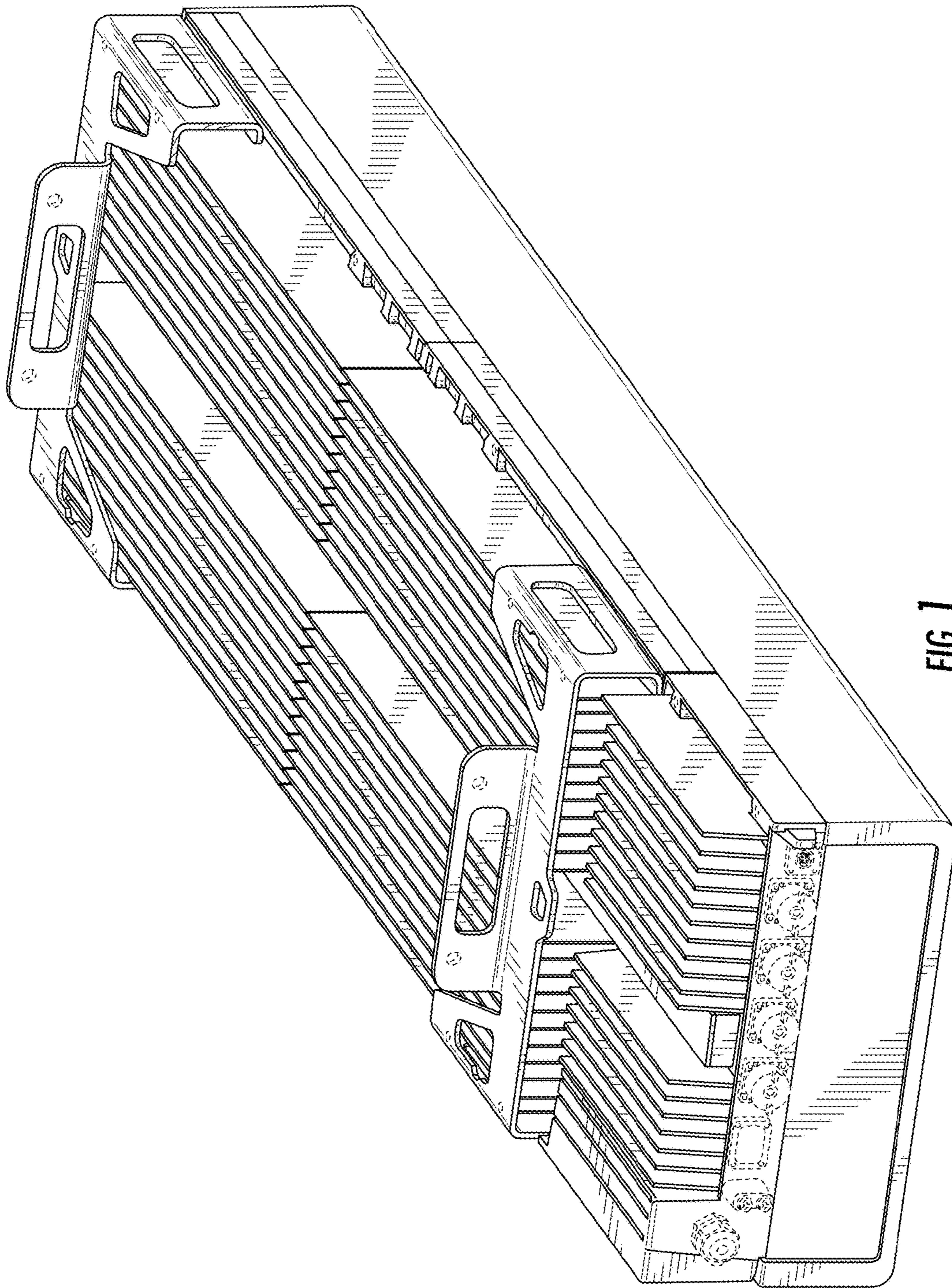


FIG. 1

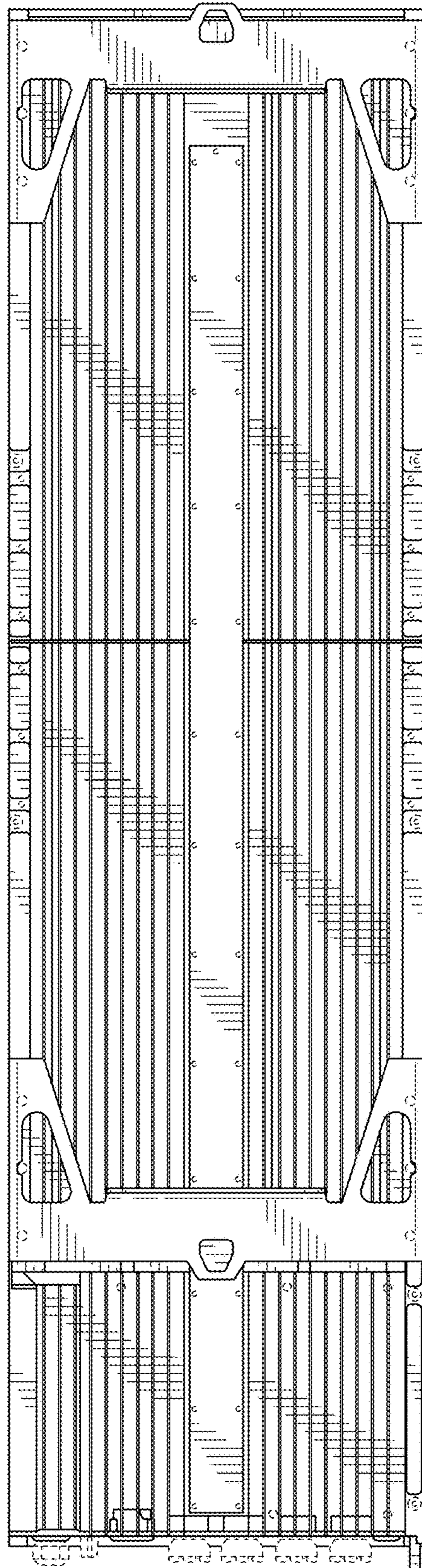


FIG. 2

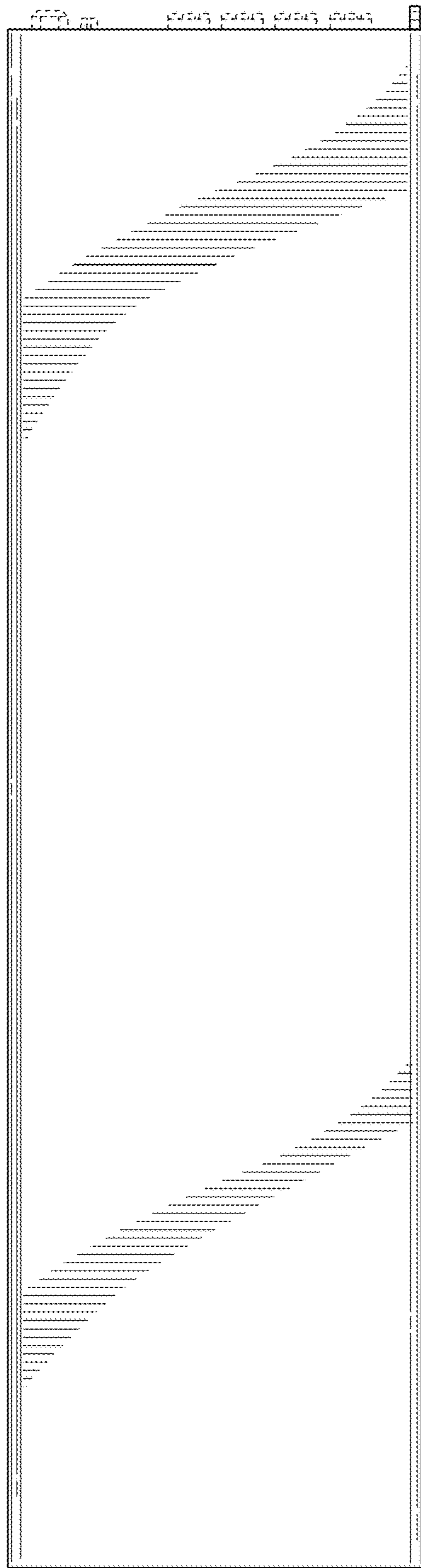


FIG. 3

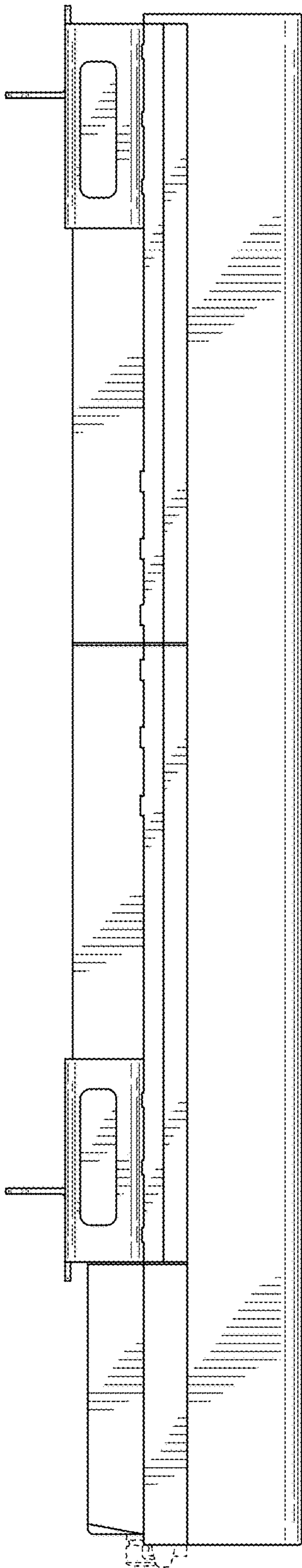


FIG. 4

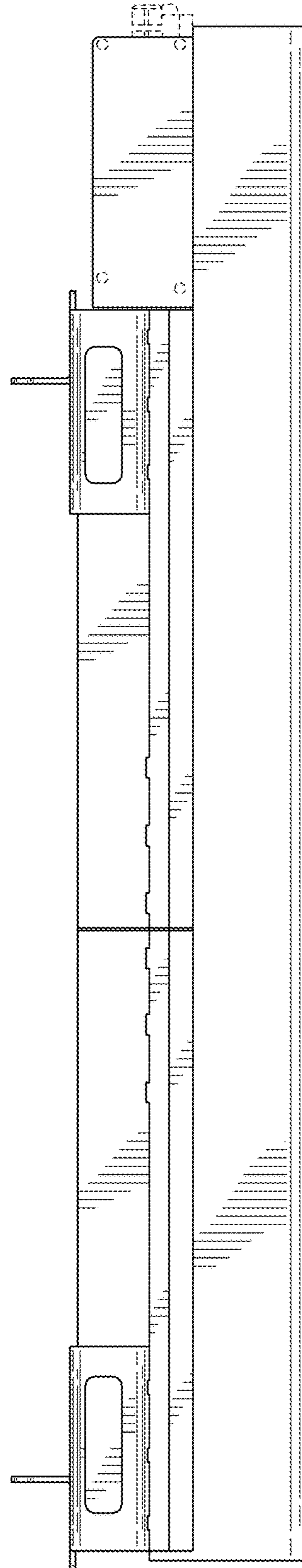


FIG. 5

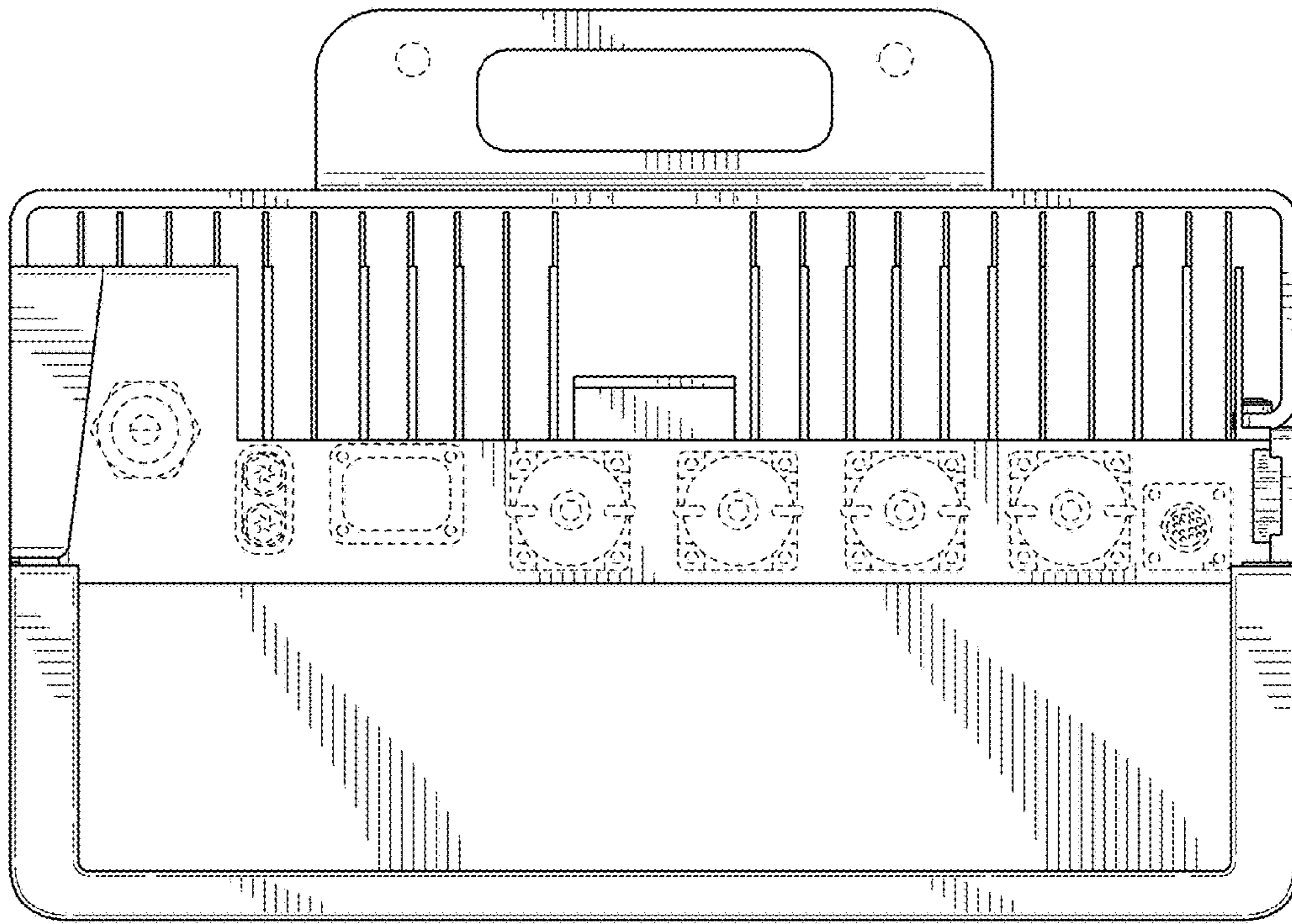


FIG. 6

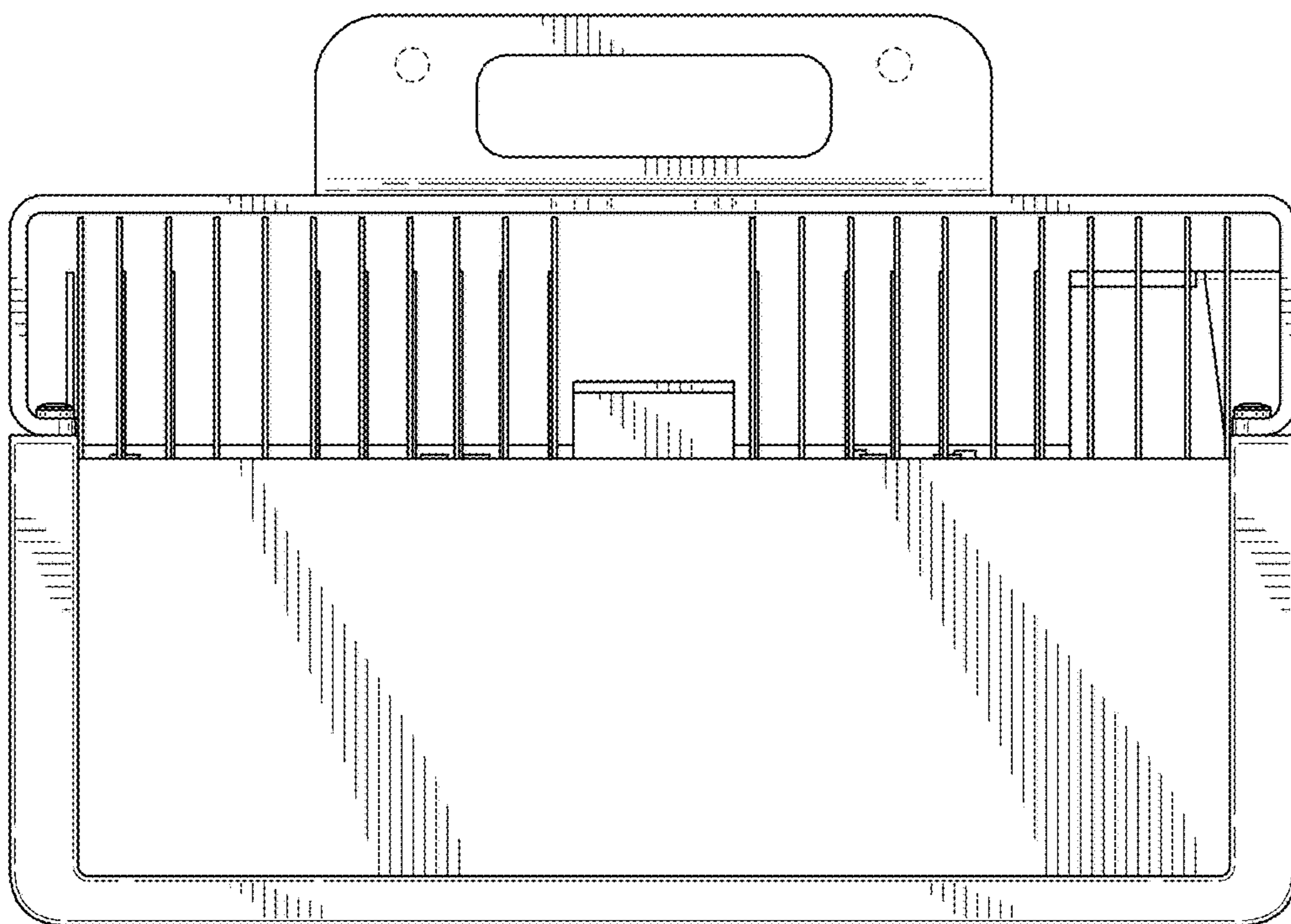


FIG. 7