



US00D842830S

(12) **United States Design Patent**
Nishida et al.

(10) **Patent No.:** **US D842,830 S**
(45) **Date of Patent:** **** Mar. 12, 2019**

(54) **PORTABLE COMMUNICATION DEVICE**

(71) Applicant: **ICOM INCORPORATED**, Osaka (JP)

(72) Inventors: **Tetsuro Nishida**, Osaka (JP); **Haruki Nishizawa**, Osaka (JP)

(73) Assignee: **ICOM INCORPORATED**, Osaka (JP)

(**) Term: **15 Years**

(21) Appl. No.: **29/613,573**

(22) Filed: **Aug. 11, 2017**

(30) **Foreign Application Priority Data**

Feb. 13, 2017 (JP) D2017-002601

(51) **LOC (11) Cl.** **14-03**

(52) **U.S. Cl.**

USPC **D14/137**

(58) **Field of Classification Search**

USPC D14/137, 138 R, 138 AA, 147, 148, 218,
D14/155, 159, 142, 225, 226, 191, 188,
D14/192, 194, 197, 198; D21/517;
D10/104.1, 104.2, 106.1, 65; D13/168

CPC H04B 1/3833; H04B 1/3827; H04B
2001/3861; H04M 1/0202; H04M 1/03;
H04M 1/035; H04W 76/005; G08B
21/0202

See application file for complete search history.

(56) **References Cited**

U.S. PATENT DOCUMENTS

D295,404 S * 4/1988 Tokiyama D14/137
D348,664 S * 7/1994 Imazeki D14/137
D451,896 S * 12/2001 Kim D14/137
D490,064 S * 5/2004 Yi D14/137
D490,786 S * 6/2004 Richards D14/137
D510,332 S * 10/2005 Haase D14/137

(Continued)

FOREIGN PATENT DOCUMENTS

EM 005227501-0001 * 4/2018
JP D1535837 9/2015

(Continued)

OTHER PUBLICATIONS

Icom IC-M85 brochure, published 2017, (C) 2017 Icom Inc., [online], [site visited Nov. 27, 2018]. Available at "Product Brochure" link at Internet, <URL: <http://www.icomamerica.com/en/products/marine/handhelds/m85/default.aspx>>.*

(Continued)

Primary Examiner — Jeffrey D Asch

(74) *Attorney, Agent, or Firm* — Birch, Stewart, Kolasch & Birch, LLP

(57) **CLAIM**

The ornamental design for a portable communication device, as shown and described.

DESCRIPTION

FIG. 1 is a perspective view of the portable communication device;

FIG. 2 is a front view of the portable communication device;

FIG. 3 is a rear view of the portable communication device;

FIG. 4 is a left side view of the portable communication device;

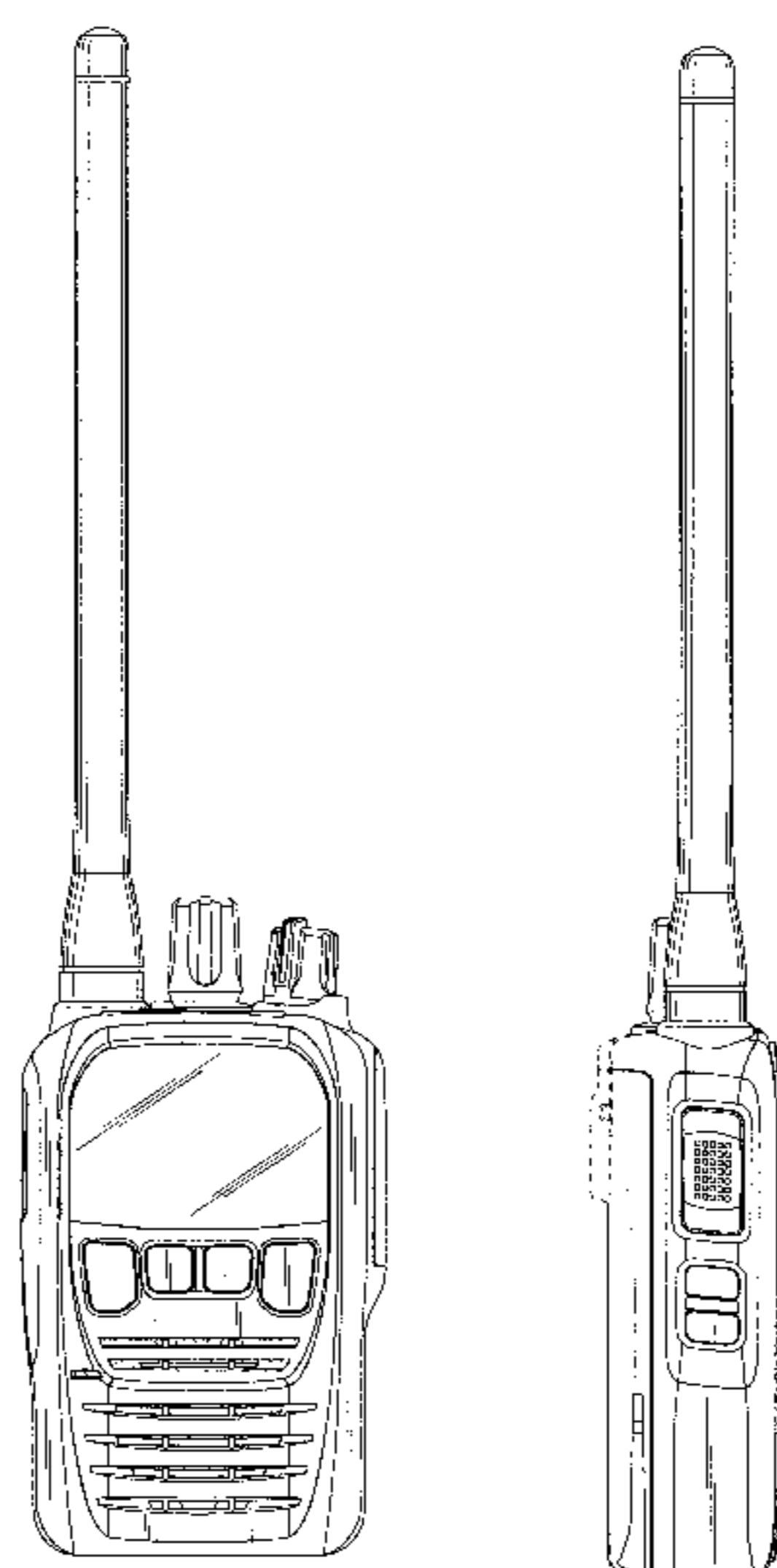
FIG. 5 is a right side view of the portable communication device;

FIG. 6 is a top view of the portable communication device; and,

FIG. 7 is a bottom view of the portable communication device.

The broken lines depict portions of the portable communication device in which the design is embodied that are not considered part of the claimed design.

1 Claim, 5 Drawing Sheets



(56)

References Cited

U.S. PATENT DOCUMENTS

D561,143 S * 2/2008 Mukai D14/137
 D576,124 S * 9/2008 Nishizawa D14/137
 D577,700 S * 9/2008 Akita D14/137
 D600,225 S * 9/2009 Woon D14/137
 D602,893 S * 10/2009 Nishida D14/137
 D620,466 S * 7/2010 Kim D14/138 AA
 D632,274 S * 2/2011 Nilsen D14/138 AA
 D643,009 S * 8/2011 Lee D14/138 AA
 D644,133 S * 8/2011 Register D10/65
 8,135,149 B2 * 3/2012 Yoshida H04R 3/007
 367/163
 D664,111 S * 7/2012 Ismail D14/137
 D687,003 S * 7/2013 Flores Meneses D14/138 AA
 D695,246 S * 12/2013 Jeong D14/138 AA
 D721,348 S * 1/2015 Plaschke D14/138 AA
 D731,452 S * 6/2015 Yong D14/137
 D778,251 S * 2/2017 Nishizawa D14/137
 D778,861 S * 2/2017 Guo D14/138 AA
 D786,212 S * 5/2017 Huang D14/138 AA
 D796,467 S * 9/2017 Oikawa D14/137
 D797,069 S * 9/2017 Nishizawa D14/137
 9,838,514 B2 * 12/2017 Adachi H04L 69/22
 D810,040 S * 2/2018 Nakagawa D14/137
 D816,632 S * 5/2018 Yamamoto D14/137

10,013,863 B2 * 7/2018 Sekiyama G08B 29/181
 10,083,579 B2 * 9/2018 Sekiyama G08B 5/36
 2005/0045681 A1 * 3/2005 Hancock B60R 11/0205
 224/401
 2010/0291883 A1 * 11/2010 Lim H04B 1/3833
 455/90.2
 2013/0287213 A1 * 10/2013 Sekiyama H03G 3/20
 381/55
 2015/0207206 A1 * 7/2015 Bartholomew H04B 1/3833
 455/90.2
 2017/0019164 A1 * 1/2017 Sonobe H04W 4/06

FOREIGN PATENT DOCUMENTS

JP D1573416 * 4/2017
 JP D1592957 * 12/2017

OTHER PUBLICATIONS

“My new Vertex vx 454 UHF two-way radio,” posted on YouTube by Country City, Published May 24, 2015 [online], [site visited Nov. 28, 2018]. Available from Internet, <URL: https://www.youtube.com/watch?v=a6fE_UbP4sQ>.*

* cited by examiner

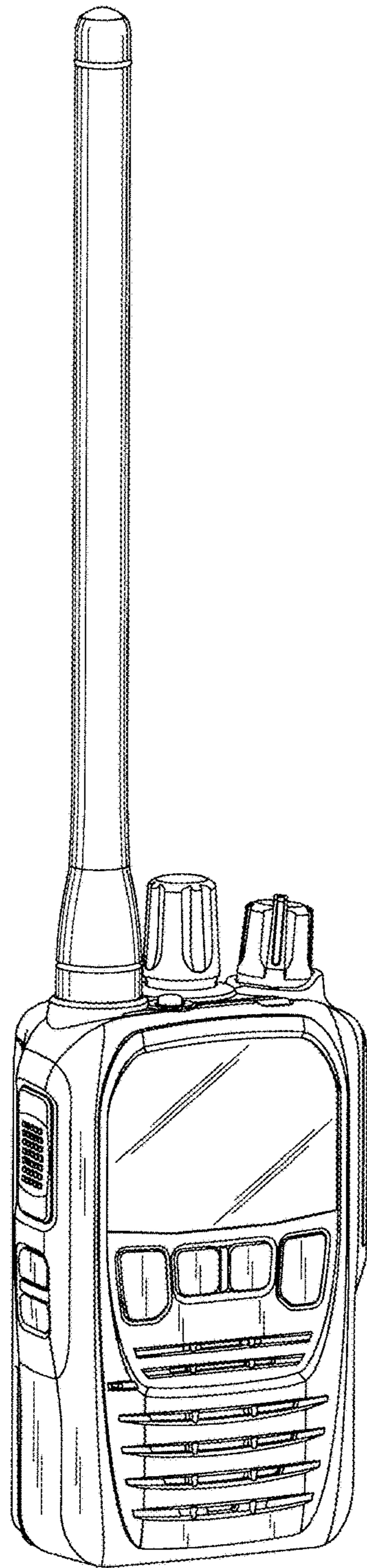


FIG. 1

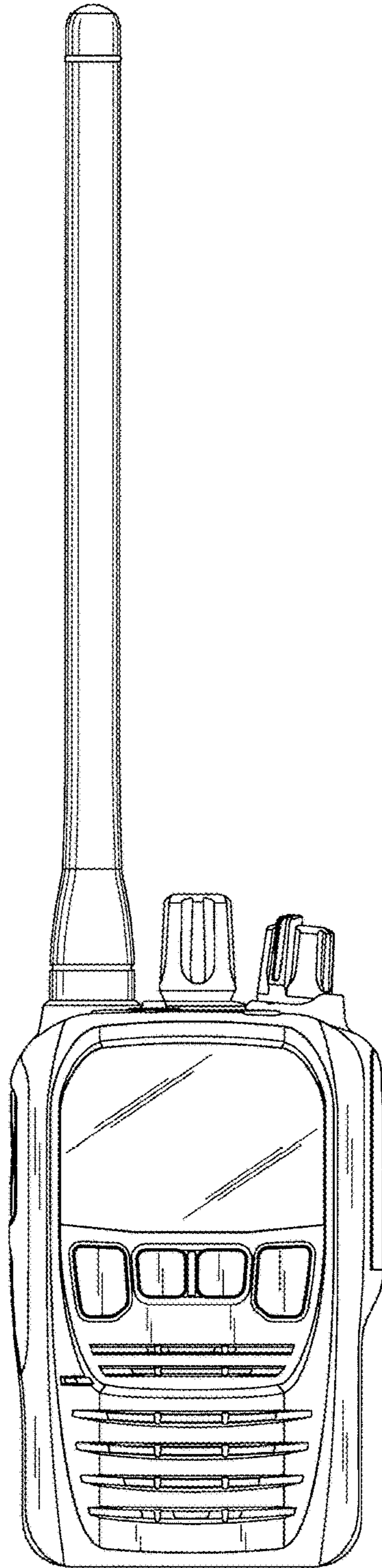


FIG.2

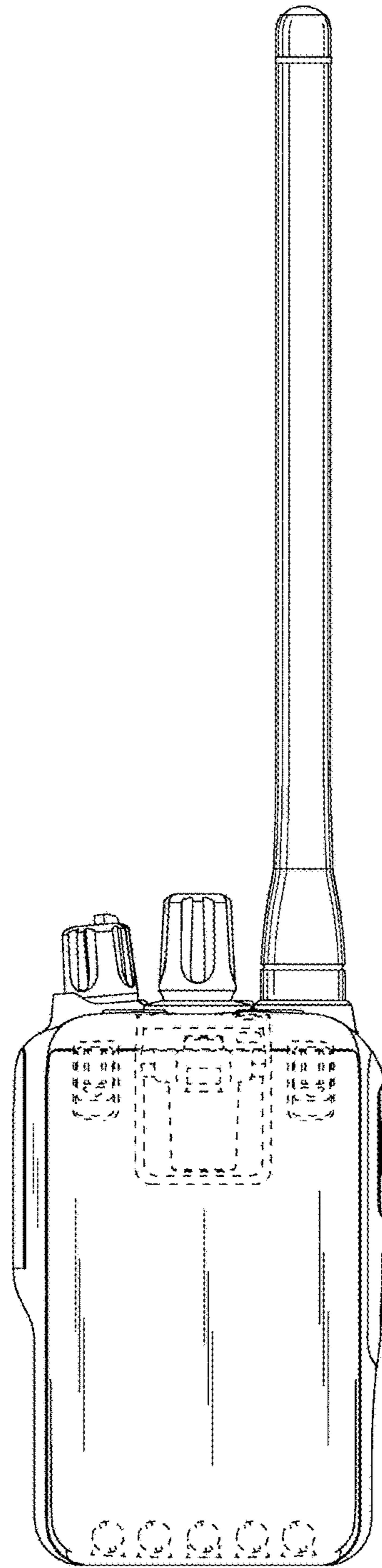


FIG.3

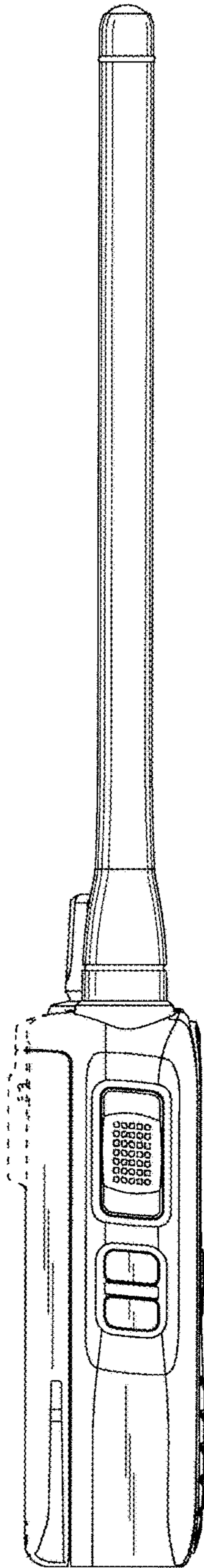


FIG. 4

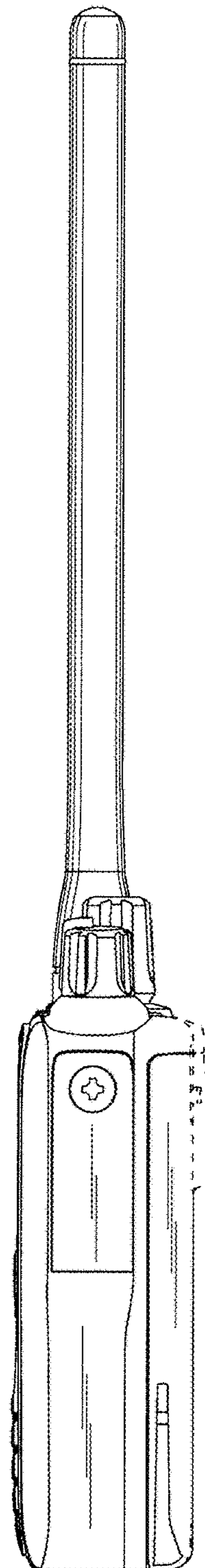


FIG. 5

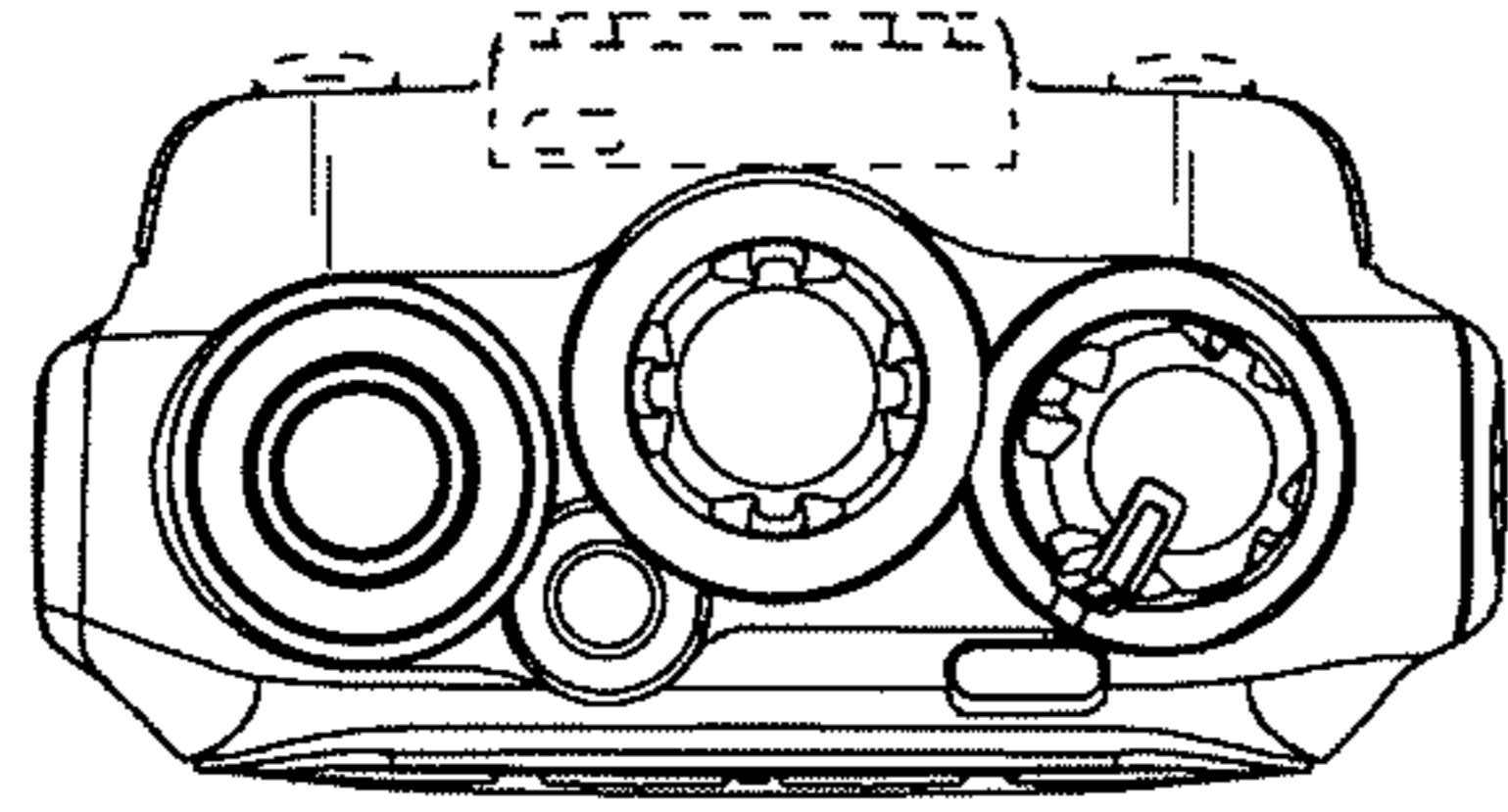


FIG.6

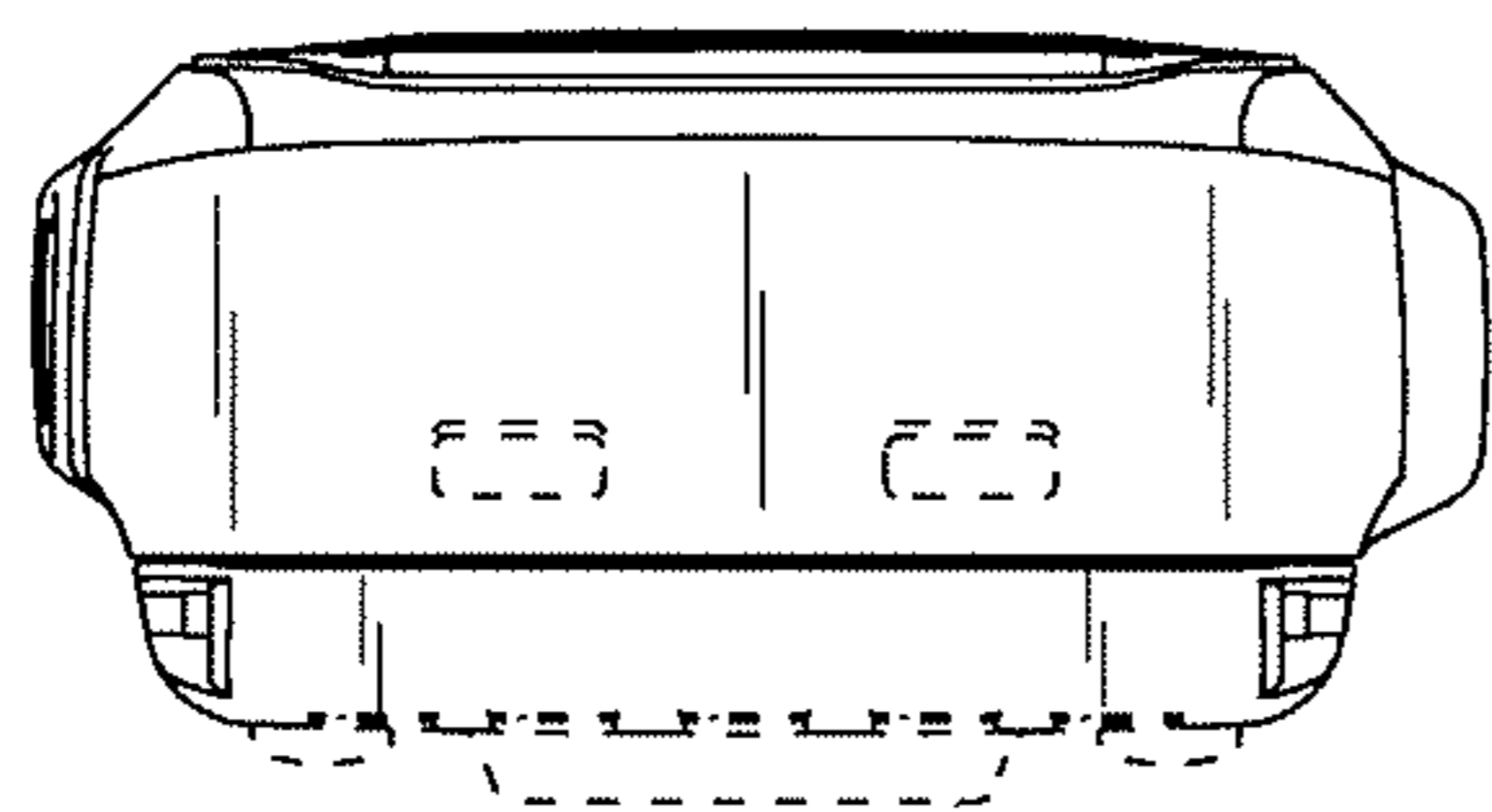


FIG.7