



US00D842829S

(12) **United States Design Patent**
Wang

(10) **Patent No.:** **US D842,829 S**

(45) **Date of Patent:** **** Mar. 12, 2019**

(54) **SET TOP BOX**

(71) Applicant: **Shuangchun Wang**, Jiujiang (CN)

(72) Inventor: **Shuangchun Wang**, Jiujiang (CN)

(**) Term: **15 Years**

(21) Appl. No.: **29/628,943**

(22) Filed: **Dec. 8, 2017**

(51) **LOC (11) Cl.** **14-03**

(52) **U.S. Cl.**
USPC **D14/125**

(58) **Field of Classification Search**

USPC D14/125, 357-358, 496, 188, 242, 432;
D13/184; 348/10, 460, 706, 731;
340/825.03; 455/6.1, 6.2; 312/223.1, 7.2
CPC H04N 21/00; H04N 21/20; H04N 21/40
See application file for complete search history.

(56) **References Cited**

U.S. PATENT DOCUMENTS

D513,617 S *	1/2006	Tierney	D14/496
D699,694 S *	2/2014	Son	D14/125
D755,763 S *	5/2016	Gargani	D14/242
D777,695 S *	1/2017	Odryna	D14/125

* cited by examiner

Primary Examiner — Randall H Gholson

(74) *Attorney, Agent, or Firm* — Li & Cai Intellectual Property (USA) Office

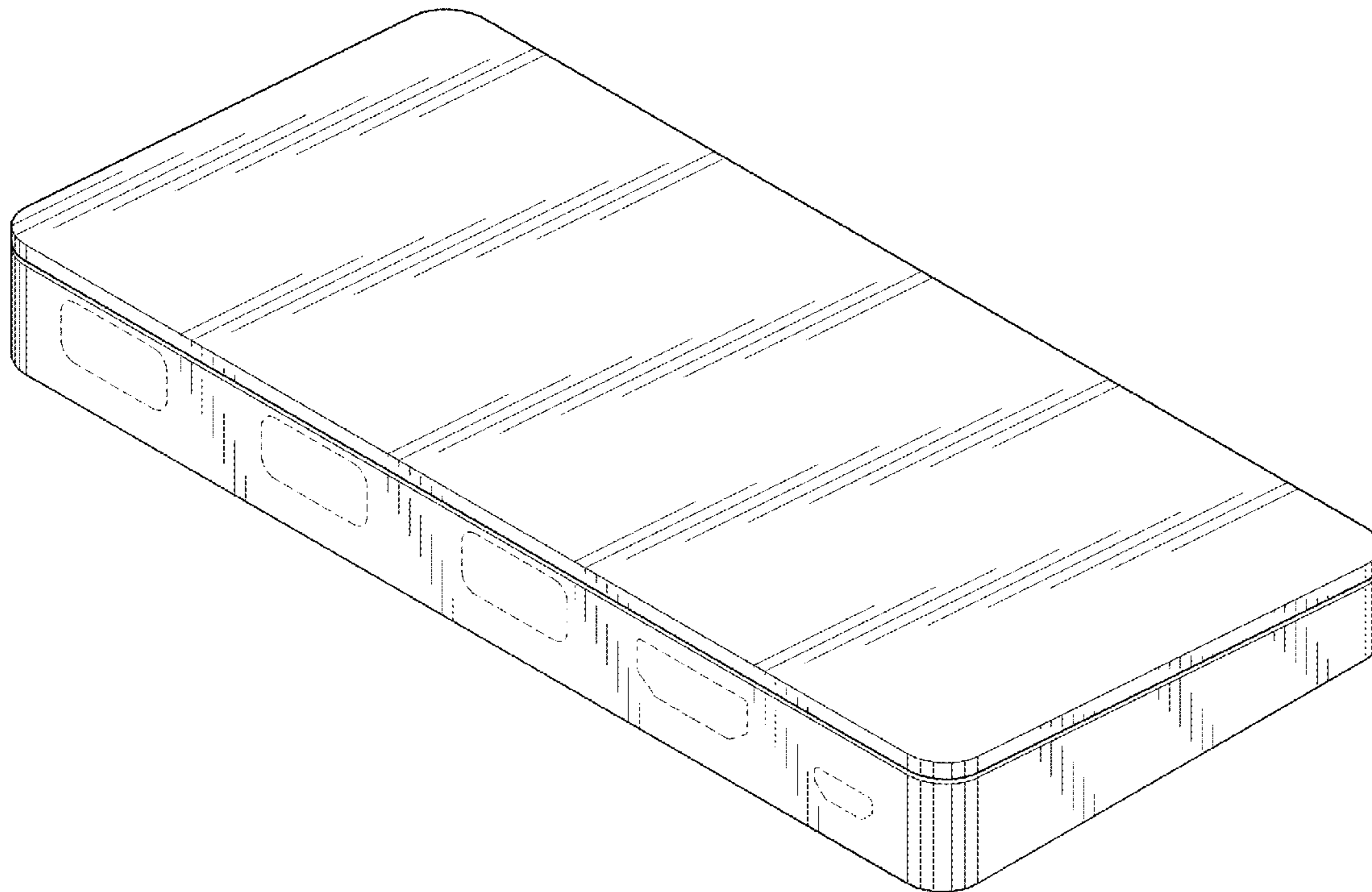
(57) **CLAIM**

The ornamental design for a “set top box”, as shown and described.

DESCRIPTION

FIG. 1 is a right, top and front perspective view of a set top box showing our new design;
FIG. 2 is a front elevational view thereof;
FIG. 3 is a rear elevational view thereof;
FIG. 4 is a left side elevational view thereof;
FIG. 5 is a right side elevational view thereof;
FIG. 6 is a top plan view thereof;
FIG. 7 is a bottom plan view thereof; and,
FIG. 8 is a left, bottom and rear perspective view thereof.
The broken lines shown represent unclaimed subject matter and form no part of the claimed design.

1 Claim, 6 Drawing Sheets



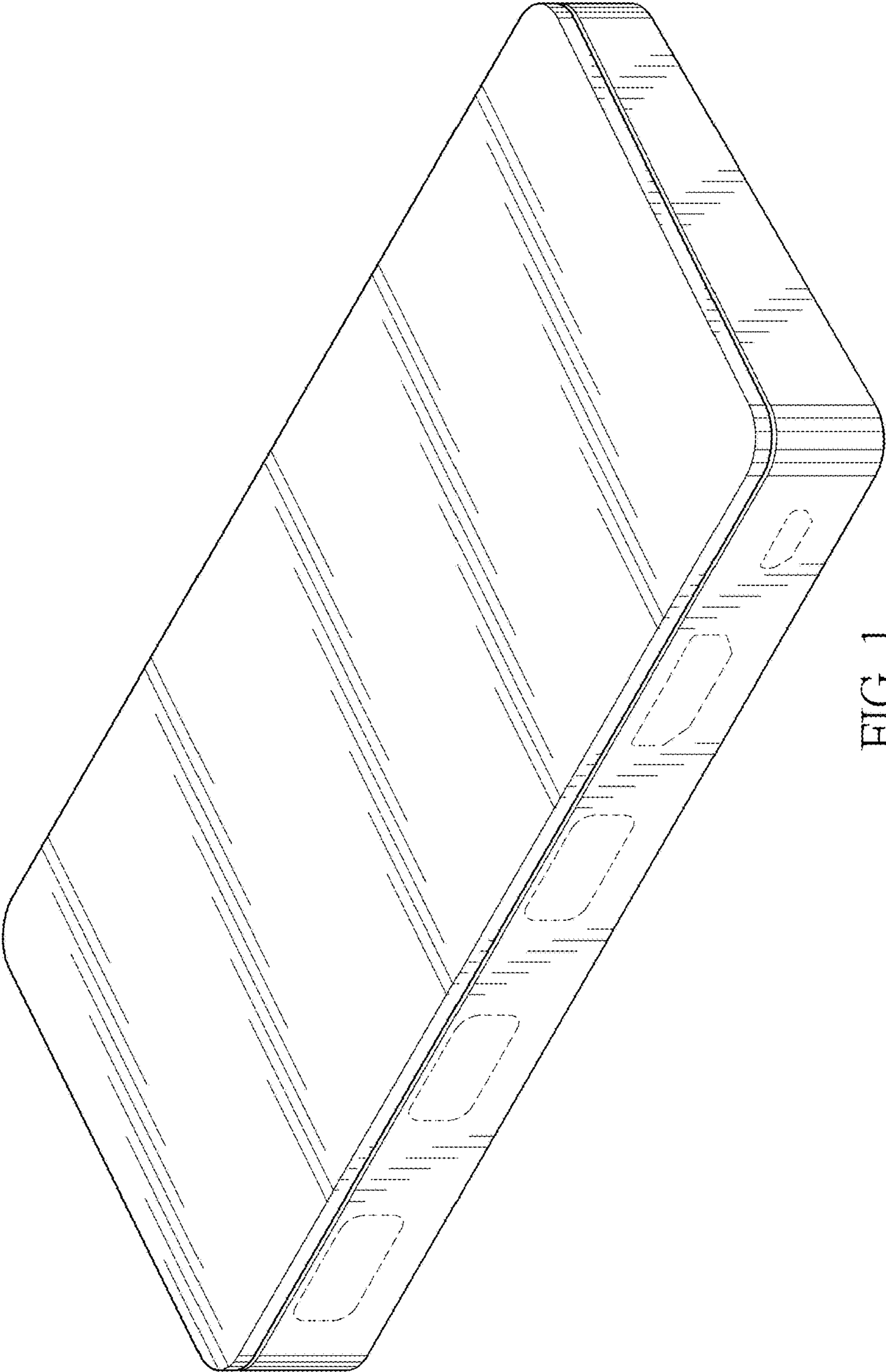


FIG. 1

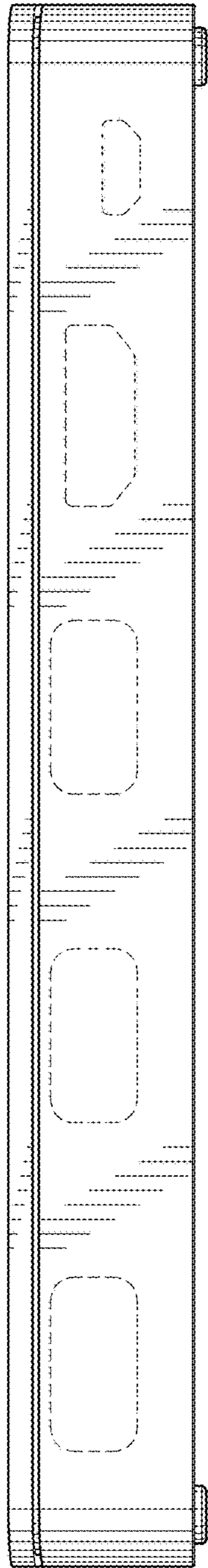


FIG. 2

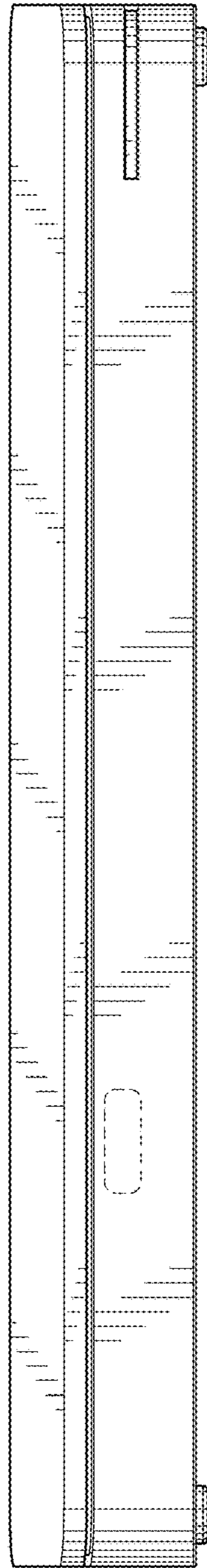


FIG. 3

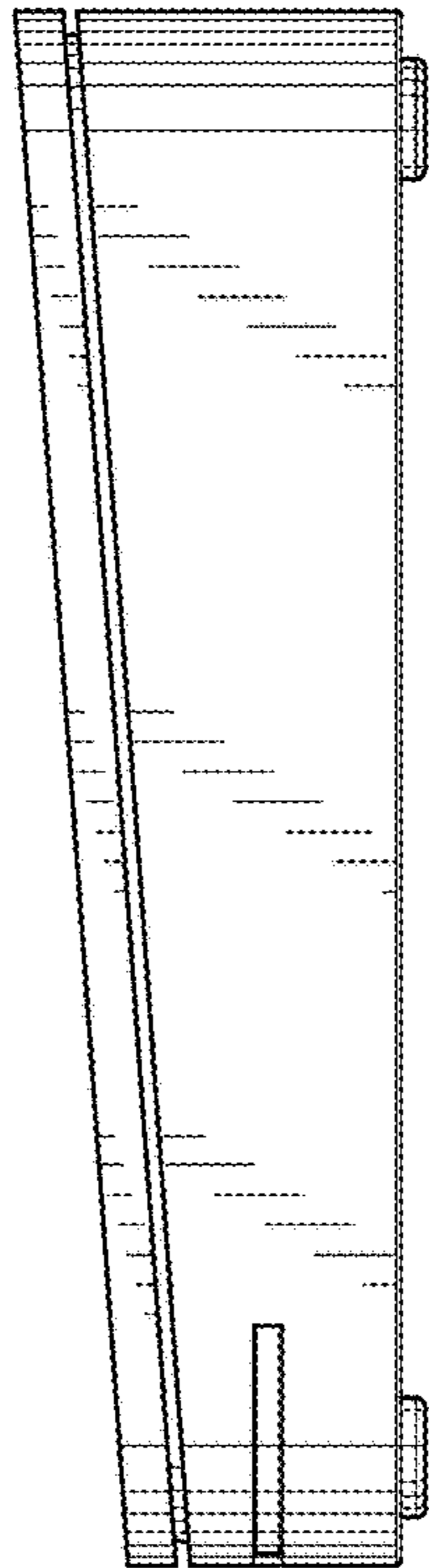


FIG. 4

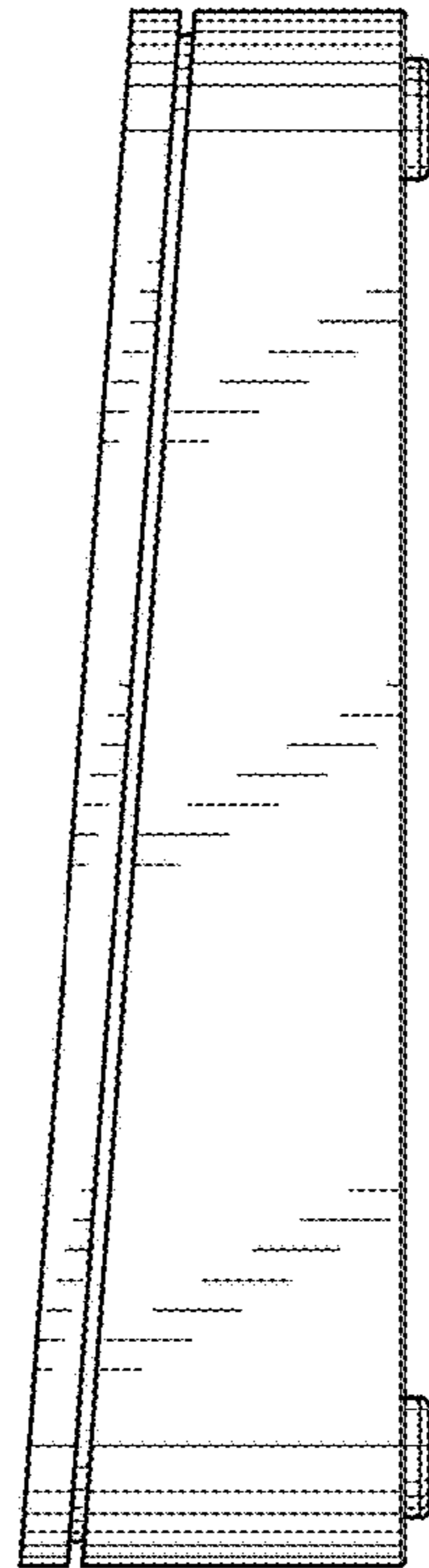


FIG. 5

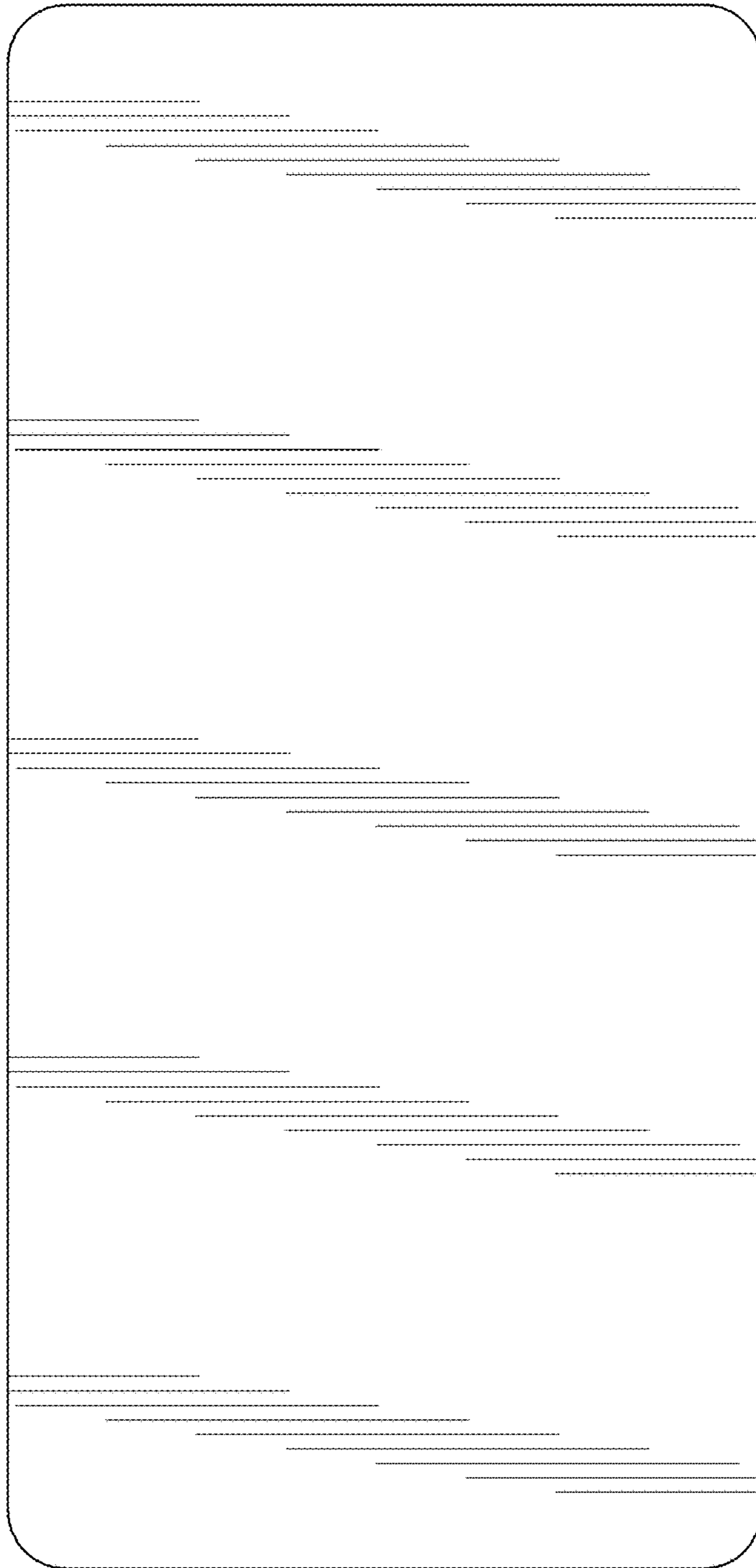


FIG. 6

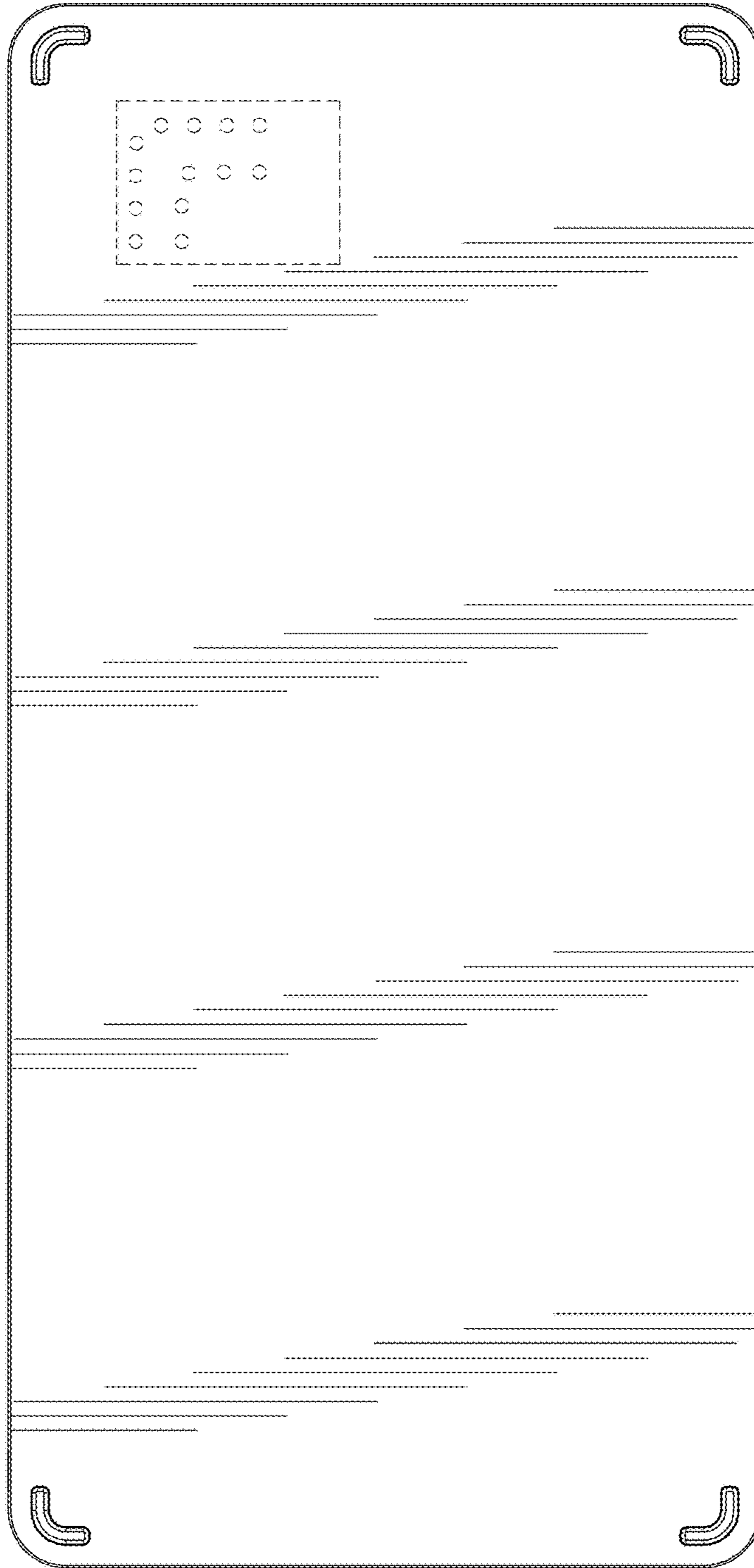


FIG. 7

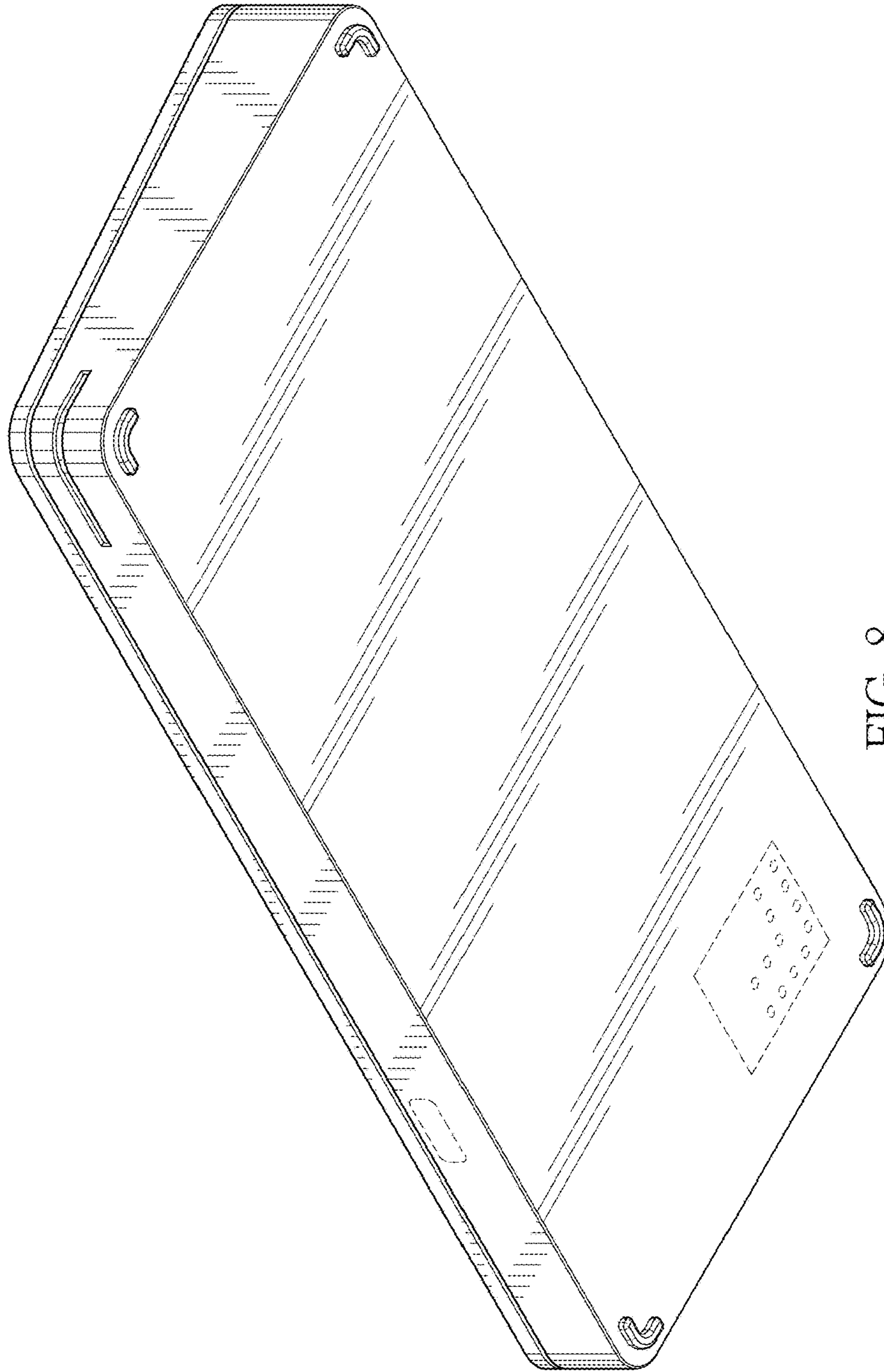


FIG. 8