



US00D842826S

(12) **United States Design Patent** (10) **Patent No.:** **US D842,826 S**  
**Lanter, Jr.** (45) **Date of Patent:** **\*\* Mar. 12, 2019**

(54) **EXTERNAL PLUG FOR AN ELECTRICAL APPARATUS ENCLOSURE**

(71) Applicant: **Eaton Intelligent Power Limited,**  
Dublin (IE)

(72) Inventor: **Roger Wayne Lanter, Jr.,** Auburn, IL  
(US)

(73) Assignee: **Eaton Intelligent Power Limited,**  
Dublin (IE)

(\*\*) Term: **15 Years**

(21) Appl. No.: **29/598,234**

(22) Filed: **Mar. 23, 2017**

(51) **LOC (11) Cl.** ..... **13-03**

(52) **U.S. Cl.**  
USPC ..... **D13/184**

(58) **Field of Classification Search**  
USPC ..... D13/137.1–137.4, 138.1, 138.2,  
D13/139.1–139.3, 145, 147, 156, 184  
CPC .. H02G 15/18; H02G 15/1826; H01R 13/516;  
H01R 13/518; H01R 13/52; H01R 13/46;  
H01R 13/50; H01R 13/506; H01R  
13/5213; H01R 25/006; H02J 7/025;  
H02J 7/0042; H02J 7/0044; H02J 7/0045;  
H02J 7/0003; H01H 21/00; H01H 21/04;  
H01H 23/00; H01H 71/02; H02B 1/21  
See application file for complete search history.

(56) **References Cited**

**U.S. PATENT DOCUMENTS**

|              |         |                |               |
|--------------|---------|----------------|---------------|
| 2,871,284 A  | 1/1959  | Wills          |               |
| 2,934,660 A  | 4/1960  | Brunner        |               |
| 3,315,556 A  | 4/1967  | Speck          |               |
| 3,767,977 A  | 10/1973 | Bachman        |               |
| 4,024,441 A  | 5/1977  | Coyle et al.   |               |
| 4,166,934 A  | 9/1979  | Marrero        |               |
| 5,072,071 A  | 12/1991 | Cassity et al. |               |
| D324,816 S * | 3/1992  | Leduc          | ..... D13/177 |

|              |         |               |               |
|--------------|---------|---------------|---------------|
| 5,213,518 A  | 5/1993  | Weidler       |               |
| 5,272,592 A  | 12/1993 | Harris et al. |               |
| 5,307,243 A  | 4/1994  | Sharp et al.  |               |
| D370,463 S * | 6/1996  | Nagele        | ..... D13/147 |
| 5,696,664 A  | 12/1997 | Rose          |               |
| D410,437 S * | 6/1999  | Mowery        | ..... D13/177 |

(Continued)

**OTHER PUBLICATIONS**

Photographs of Prior Art Products—"GE loadcenter showing a two direction assembly into the enclosure and then a slide to the final position" (1 page) (date unknown, but prior to filing date of the present application).

(Continued)

*Primary Examiner* — Jennifer Rivard

*Assistant Examiner* — Alison M Ofstun

(74) *Attorney, Agent, or Firm* — Myers Bigel, P.A.

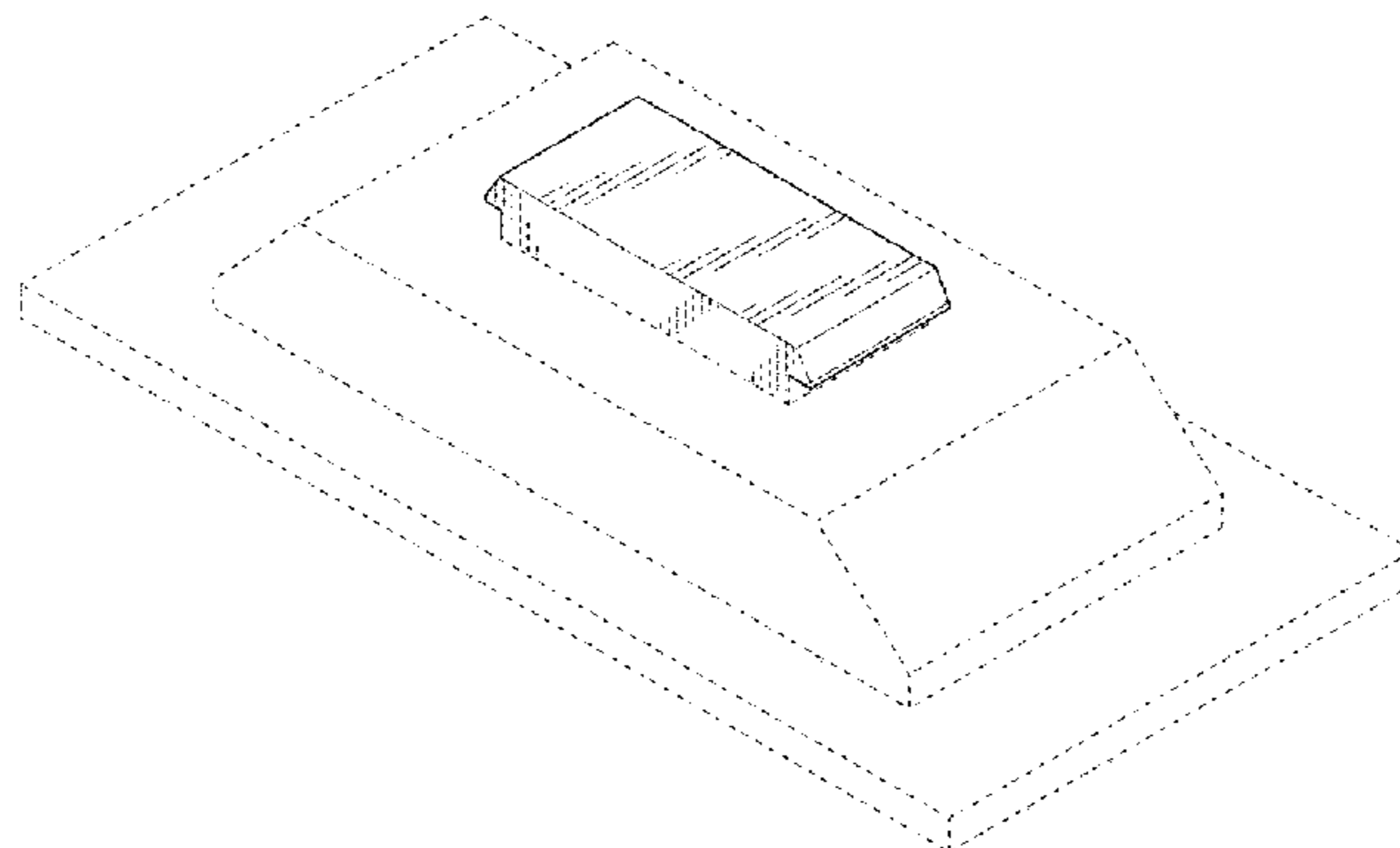
(57) **CLAIM**

The ornamental design for an external plug for an electrical apparatus enclosure, as shown and described.

**DESCRIPTION**

FIG. 1 is a top, side perspective view of an external plug for an electrical apparatus enclosure showing my design; FIG. 2 is a bottom perspective view thereof, shown in an environment of use; FIG. 3 is a long side view thereof; FIG. 4 is an opposing long side view thereof; FIG. 5 is an end view thereof; FIG. 6 is an opposing end view thereof; FIG. 7 is a top view thereof; FIG. 8 is a bottom view thereof; and, FIG. 9 is a bottom perspective view thereof. The evenly spaced broken lines shown in the figures represent portions of the article and environmental subject matter, none of which form part of the claimed design.

**1 Claim, 6 Drawing Sheets**



(56)

**References Cited**

U.S. PATENT DOCUMENTS

D419,966 S \* 2/2000 Mowery ..... D13/184  
 7,485,817 B2 \* 2/2009 Gottschalk ..... H01H 71/02  
 200/50.17  
 7,968,794 B1 \* 6/2011 Baldwin ..... H02G 3/18  
 174/66  
 8,729,988 B1 5/2014 Maloney  
 D742,340 S \* 11/2015 Krivonak ..... D13/184  
 D760,230 S \* 6/2016 Iizuka ..... D13/184  
 D767,514 S \* 9/2016 Summers ..... D10/106.95  
 D767,571 S \* 9/2016 Iizuka ..... D13/184  
 9,462,731 B2 \* 10/2016 Onishi ..... H05K 9/006  
 D798,813 S \* 10/2017 Marinelli ..... D13/110  
 D814,420 S \* 4/2018 Chen ..... D13/137.2  
 D816,049 S \* 4/2018 Kim ..... D13/184  
 10,000,956 B2 \* 6/2018 Whitaker ..... E05D 3/022  
 2002/0182896 A1 12/2002 Welsh et al.  
 2009/0302724 A1 12/2009 Allard et al.  
 2011/0149483 A1 6/2011 Diaz et al.

2013/0241359 A1\* 9/2013 Naito ..... H01L 41/053  
 310/348  
 2014/0185195 A1 7/2014 Samuelson  
 2015/0155849 A1\* 6/2015 Kikuchi ..... H03H 9/172  
 310/348

OTHER PUBLICATIONS

Photographs of Prior Art Products—“Siemens loadcenter showing a two direction assembly into the enclosure and then a slide to the final position” (1 page) (date unknown, but prior to filing date of the present application).

Photographs of Prior Art Products—“Square D loadcenter showing a two direction assembly into to the enclosure and then a slide to the final position” (1 page) (date unknown, but prior to filing date of the present application).

U.S. Appl. No. 29/598,231, filed Mar. 23, 2017, Lanter.

U.S. Appl. No. 29/598,236, filed Mar. 23, 2017, Lanter.

\* cited by examiner

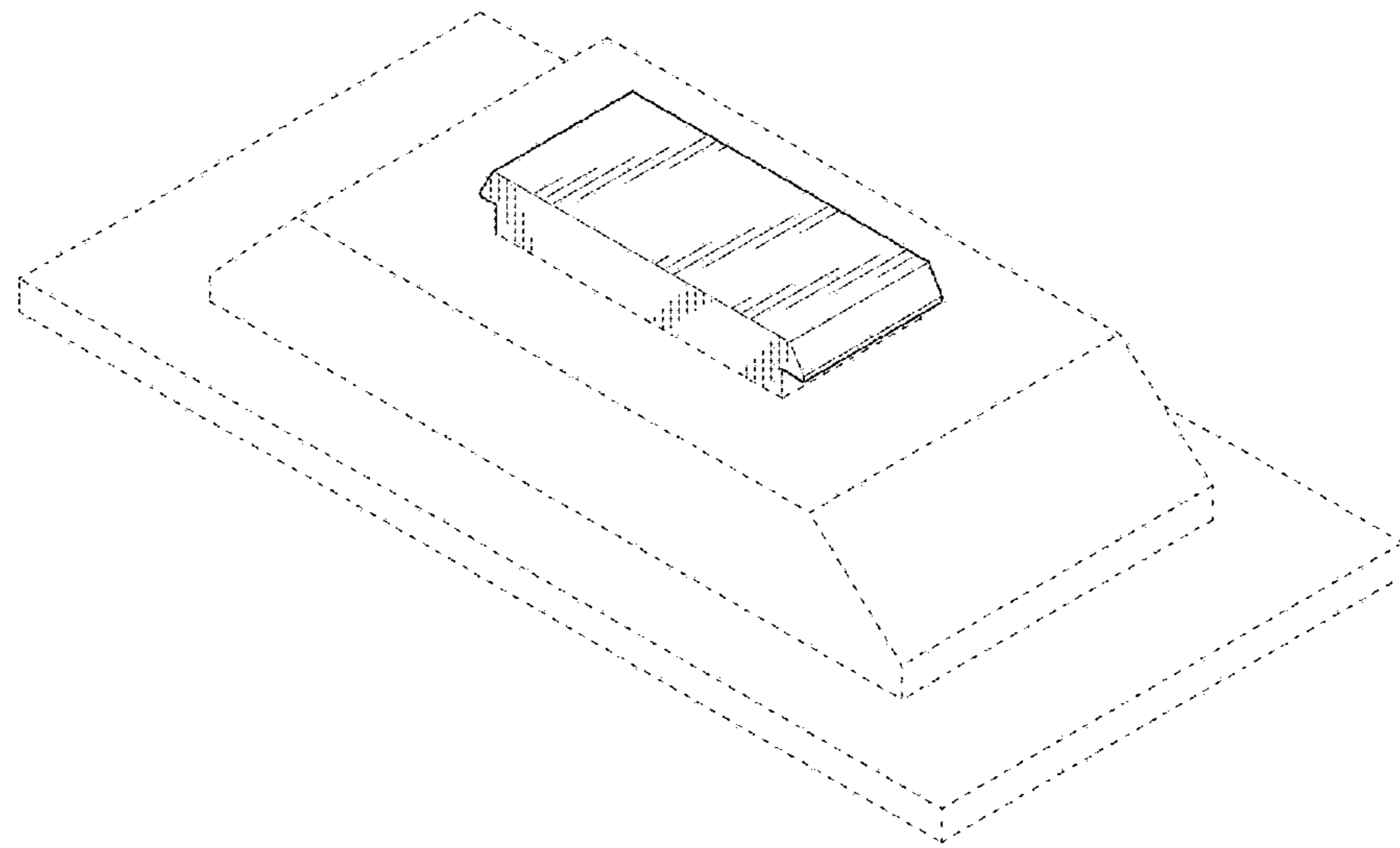


FIG. 1

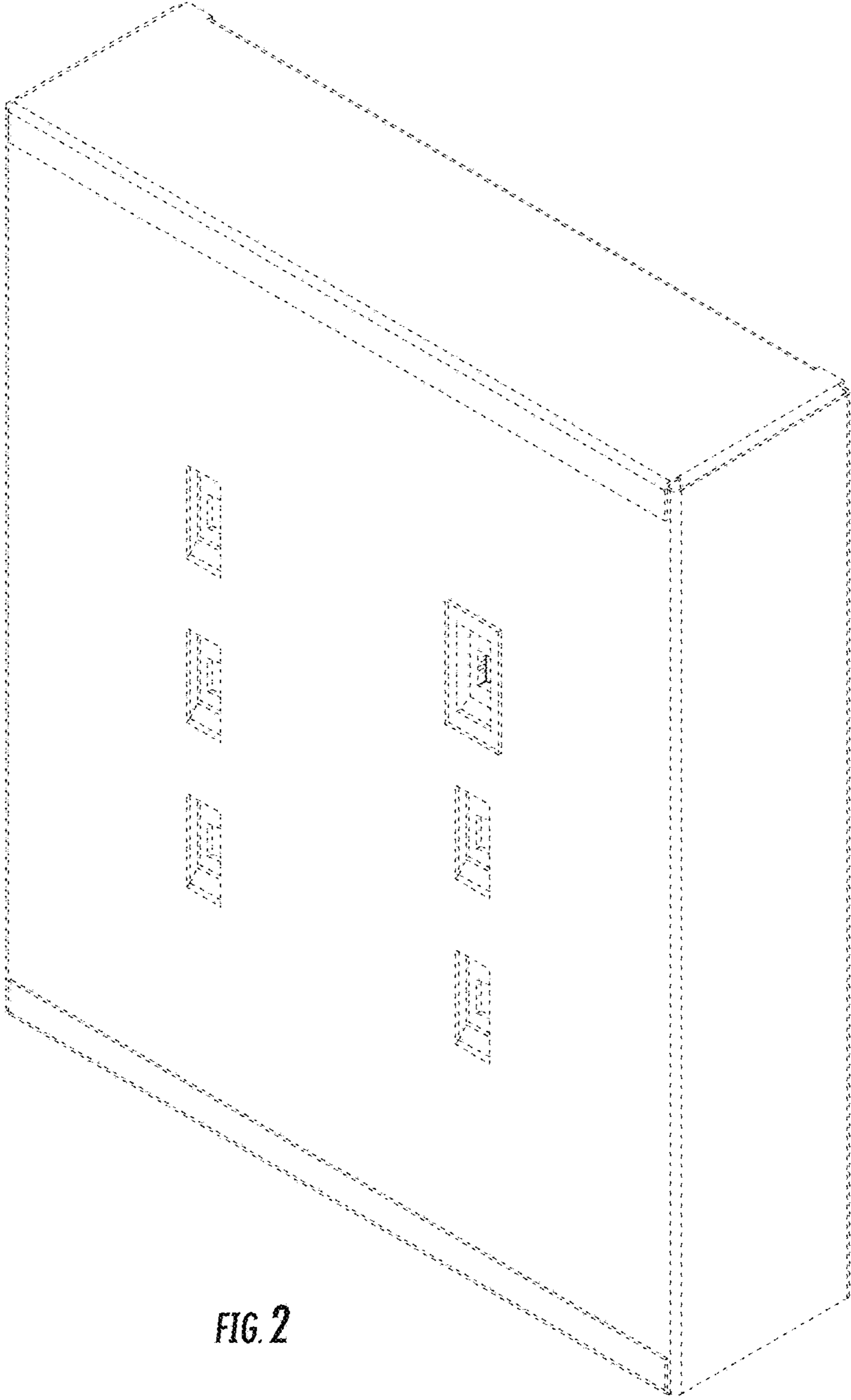


FIG. 2

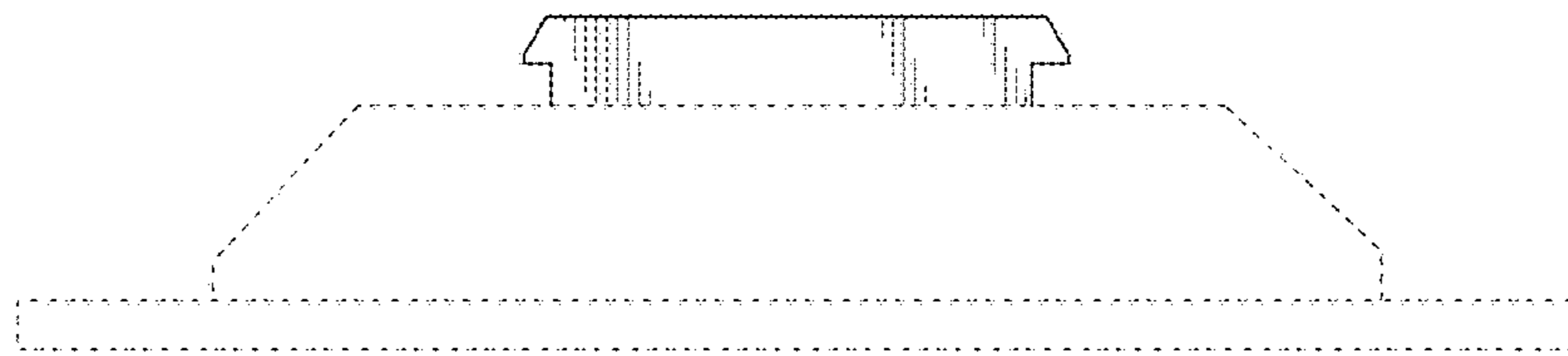


FIG. 3

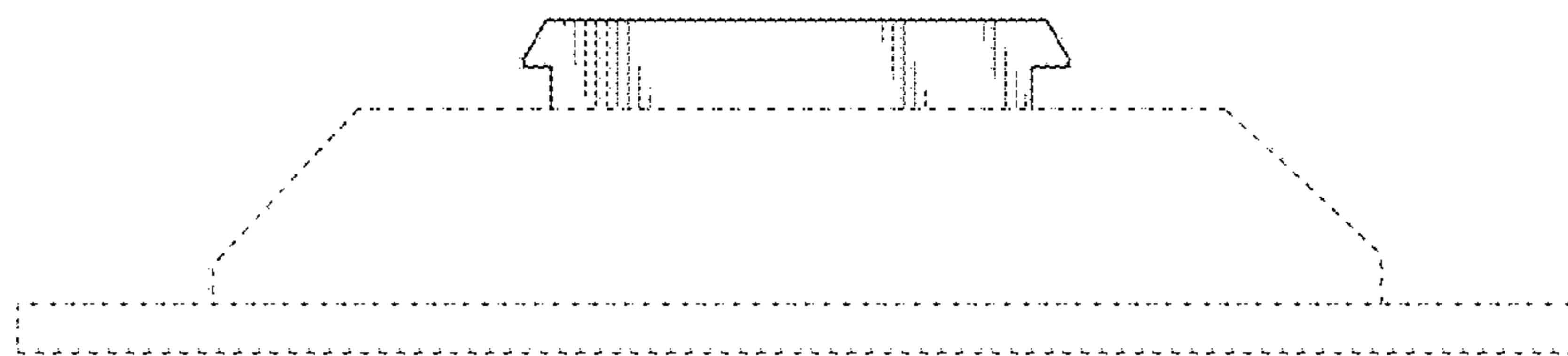


FIG. 4

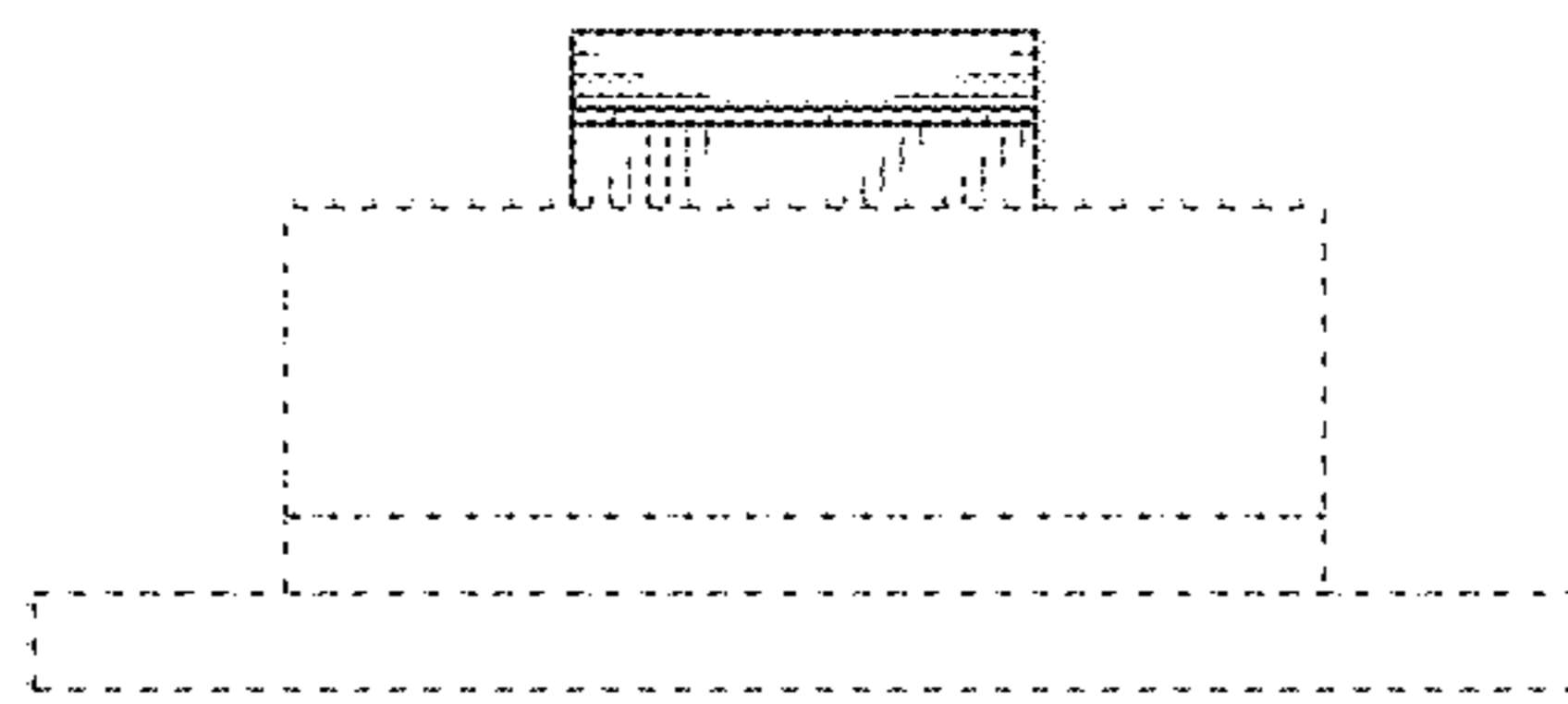


FIG. 5

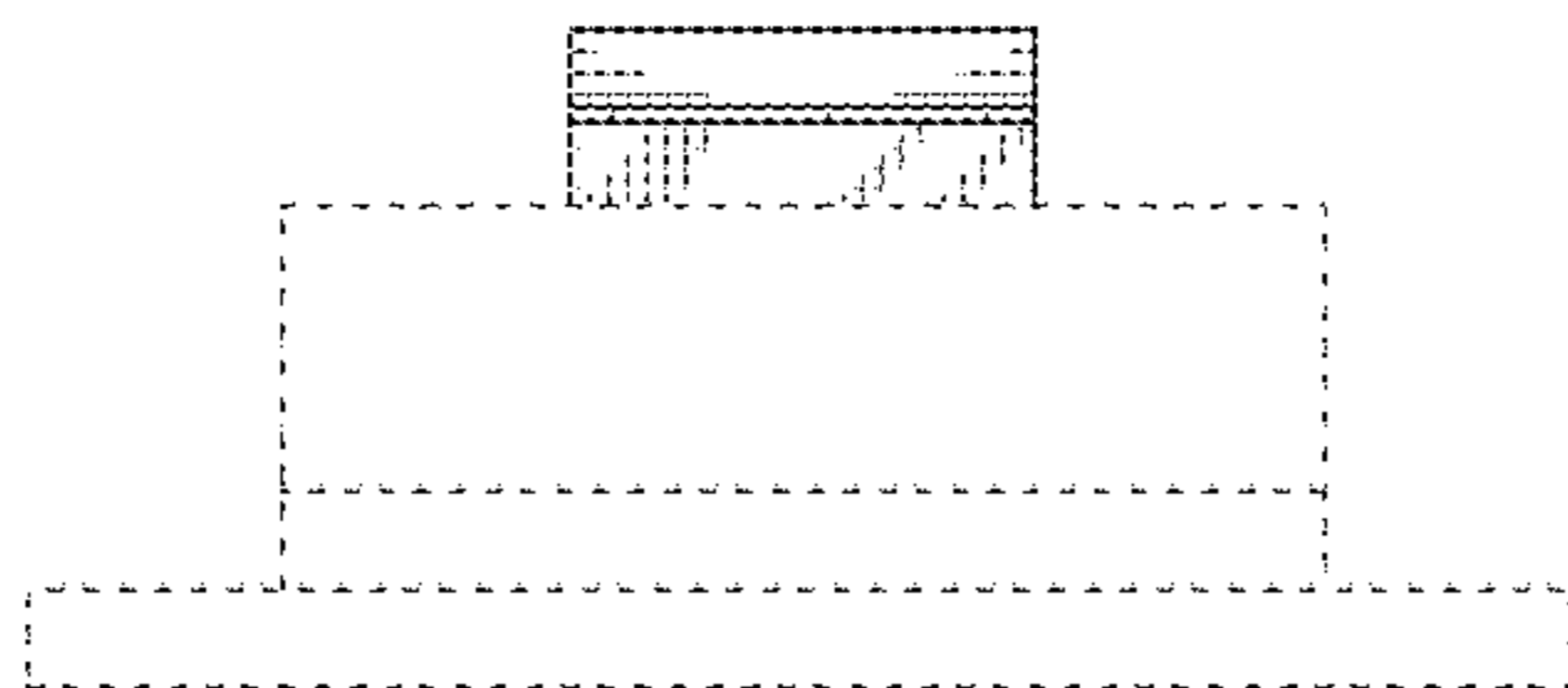


FIG. 6

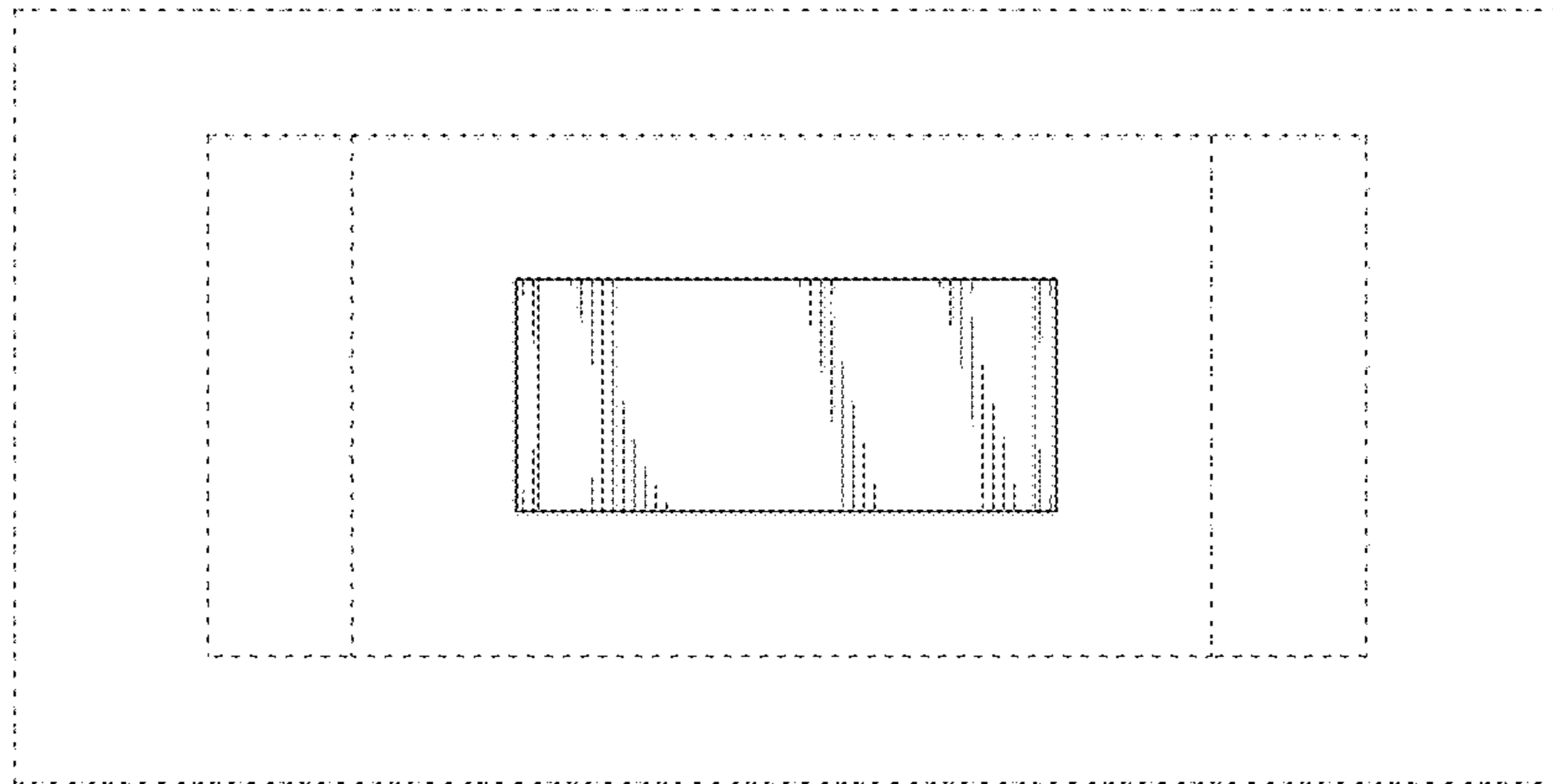


FIG. 7

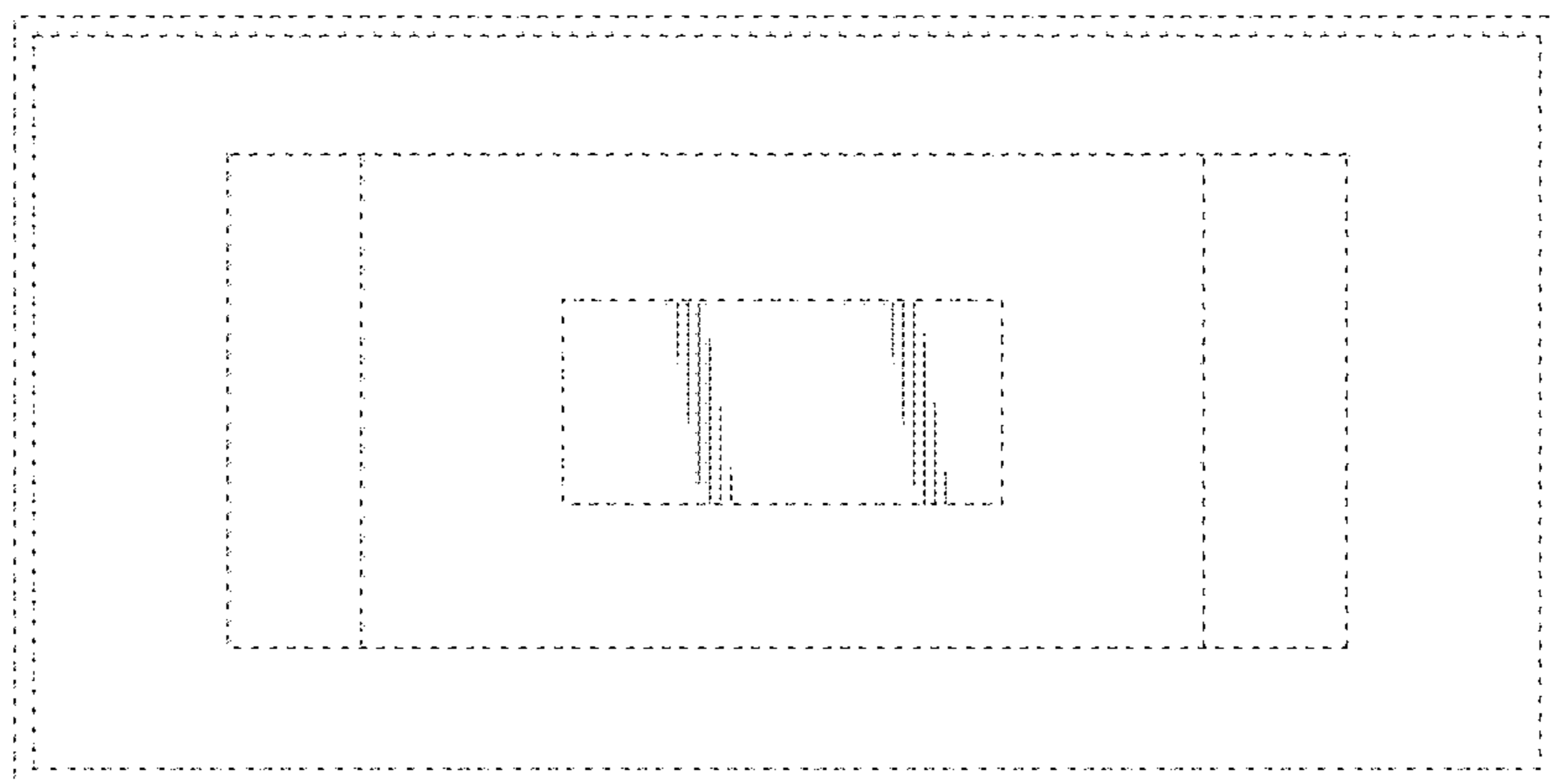


FIG. 8

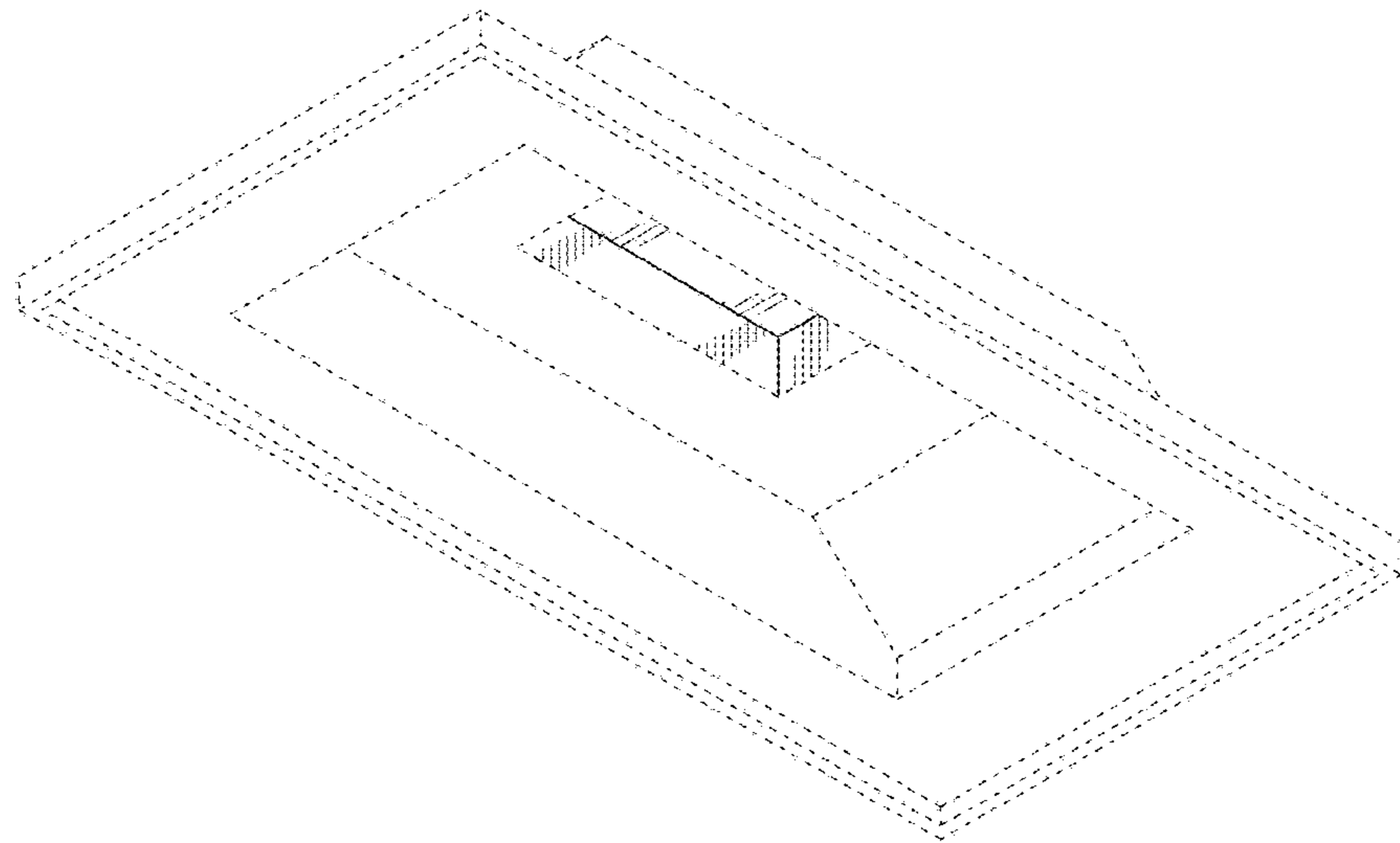


FIG. 9