



US00D842825S

(12) **United States Design Patent**
Lanter, Jr.

(10) **Patent No.:** **US D842,825 S**
(45) **Date of Patent:** **** Mar. 12, 2019**

(54) **INTERNAL COVER FOR AN ELECTRICAL APPARATUS ENCLOSURE**

5,213,518 A 5/1993 Weidler
5,272,592 A 12/1993 Harris et al.
5,307,243 A 4/1994 Sharp et al.
D370,463 S * 6/1996 Nagele D13/147
(Continued)

(71) Applicant: **Eaton Intelligent Power Limited,**
Dublin (IE)

(72) Inventor: **Roger Wayne Lanter, Jr.,** Auburn, IL
(US)

(73) Assignee: **Eaton Intelligent Power Limited,**
Dublin (IE)

(**) Term: **15 Years**

(21) Appl. No.: **29/598,231**

(22) Filed: **Mar. 23, 2017**

(51) **LOC (11) Cl.** **13-03**

(52) **U.S. Cl.**
USPC **D13/184**

(58) **Field of Classification Search**
USPC D13/137.1–137.4, 138.1, 138.2,
D13/139.1–139.3, 145, 147, 156, 184
CPC .. H02G 15/18; H02G 15/1826; H01R 13/516;
H01R 13/518; H01R 13/52; H01R 13/46;
H01R 13/50; H01R 13/506; H01R
13/5213; H01R 25/006; H02J 7/025;
H02J 7/0042; H02J 7/0044; H02J 7/0045;
H02J 7/0003; H01H 21/00; H01H 21/04;
H01H 23/00; H01H 71/02; H02B 1/21
See application file for complete search history.

(56) **References Cited**

U.S. PATENT DOCUMENTS

2,871,284 A 1/1959 Wills
2,934,660 A 4/1960 Brunner
3,315,556 A 4/1967 Speck
3,767,977 A 10/1973 Bachman
4,024,441 A 5/1977 Coyle et al.
4,166,934 A 9/1979 Marrero
5,072,071 A 12/1991 Cassity et al.
D324,816 S * 3/1992 LeDuc D13/177

OTHER PUBLICATIONS

Photographs of Prior Art Products—“GE loadcenter showing a two direction assembly into the enclosure and then a slide to the final position” (1 page) (date unknown, but prior to filing date of the present application).

(Continued)

Primary Examiner — Jennifer Rivard
Assistant Examiner — Alison M Ofstun
(74) *Attorney, Agent, or Firm* — Myers Bigel, P.A.

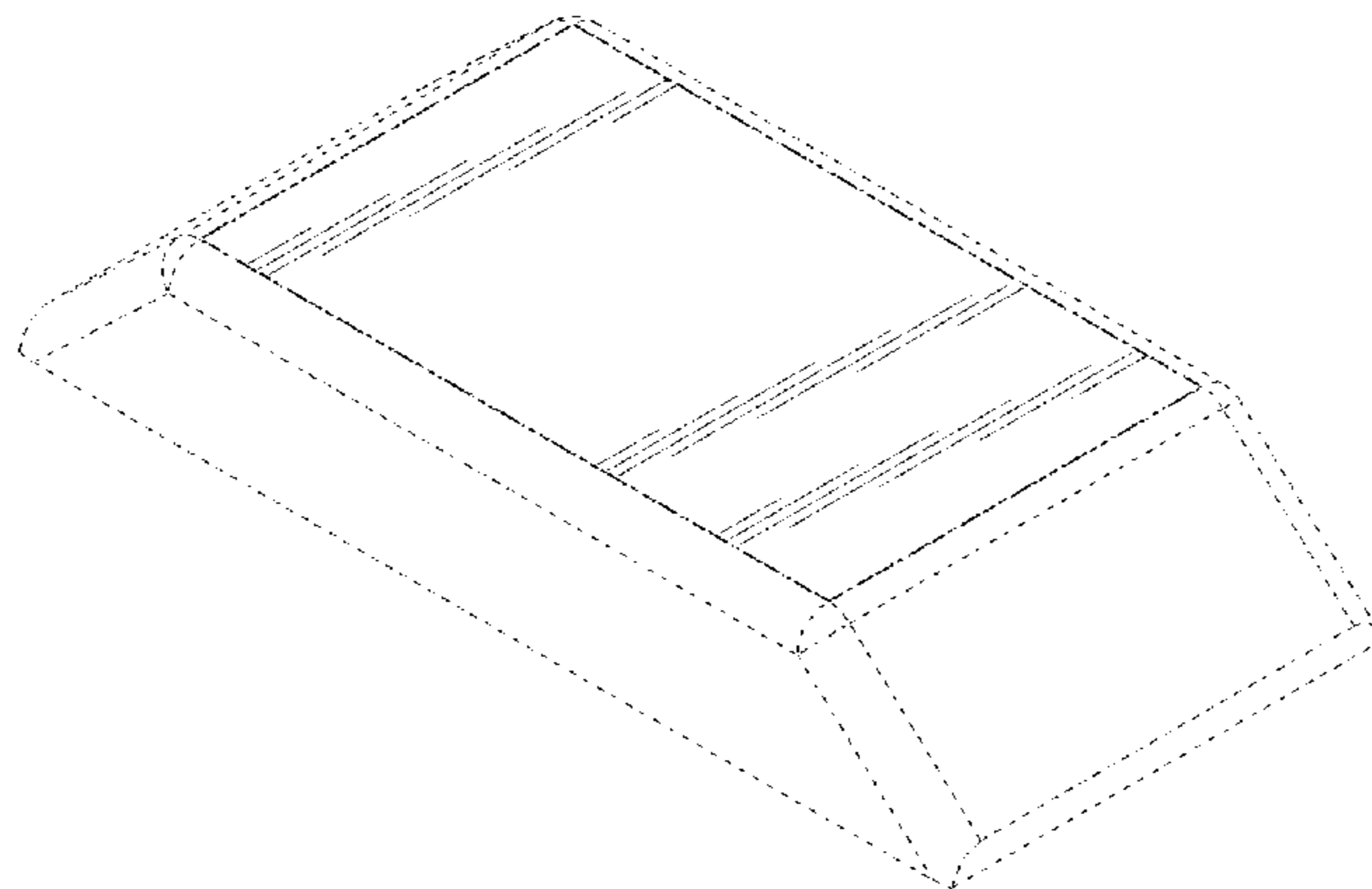
(57) **CLAIM**

The ornamental design for an internal cover for an electrical apparatus enclosure, as shown and described.

DESCRIPTION

FIG. 1 is a top, side perspective view of an internal cover for an electrical apparatus enclosure showing my design; FIG. 2 is a top perspective view thereof, shown in an environment of use; FIG. 3 is a long side view thereof; FIG. 4 is an opposing long side view thereof; FIG. 5 is an end view thereof; FIG. 6 is an opposing end view thereof; FIG. 7 is a top view thereof; FIG. 8 is a bottom view thereof; and, FIG. 9 is a bottom, side perspective view thereof. The dash-dot lines represent a boundary to the claimed design and form no part thereof. The evenly spaced broken lines shown in the figures represent portions of the article and environmental subject matter, none of which form part of the claimed design.

1 Claim, 6 Drawing Sheets



(56)

References Cited

U.S. PATENT DOCUMENTS

5,696,664 A 12/1997 Rose
 D410,437 S * 6/1999 Mowery D13/177
 D419,966 S * 2/2000 Mowery D13/184
 7,485,817 B2 * 2/2009 Gottschalk H01H 71/02
 200/50.17
 7,968,794 B1 * 6/2011 Baldwin H02G 3/18
 174/66
 8,729,988 B1 5/2014 Maloney
 D742,340 S * 11/2015 Krivonak D13/184
 D760,230 S * 6/2016 Iizuka D13/184
 D767,514 S * 9/2016 Summers D10/106.95
 D767,571 S * 9/2016 Iizuka D13/184
 9,462,731 B2 * 10/2016 Onishi H05K 9/006
 D798,813 S * 10/2017 Marinelli D13/110
 D814,420 S * 4/2018 Chen D13/137.2
 D816,049 S * 4/2018 Kim D13/184
 10,000,956 B2 * 6/2018 Whitaker E05D 3/022
 2002/0182896 A1 12/2002 Welsh et al.
 2009/0302724 A1 12/2009 Allard et al.

2011/0149483 A1 6/2011 Diaz et al.
 2013/0241359 A1 * 9/2013 Naito H01L 41/053
 310/348
 2014/0185195 A1 7/2014 Samuelson
 2015/0155849 A1 * 6/2015 Kikuchi H03H 9/172
 310/348

OTHER PUBLICATIONS

Photographs of Prior Art Products—“Siemens loadcenter showing a two direction assembly into the enclosure and then a slide to the final position” (1 page) (date unknown, but prior to filing date of the present application).

Photographs of Prior Art Products—“Square D loadcenter showing a two direction assembly into to the enclosure and then a slide to the final position” (1 page) (date unknown, but prior to filing date of the present application).

U.S. Appl. No. 29/598,234, Lanter, filed Mar. 23, 2017.

U.S. Appl. No. 29/598,236, Lanter, filed Mar. 23, 2017.

* cited by examiner

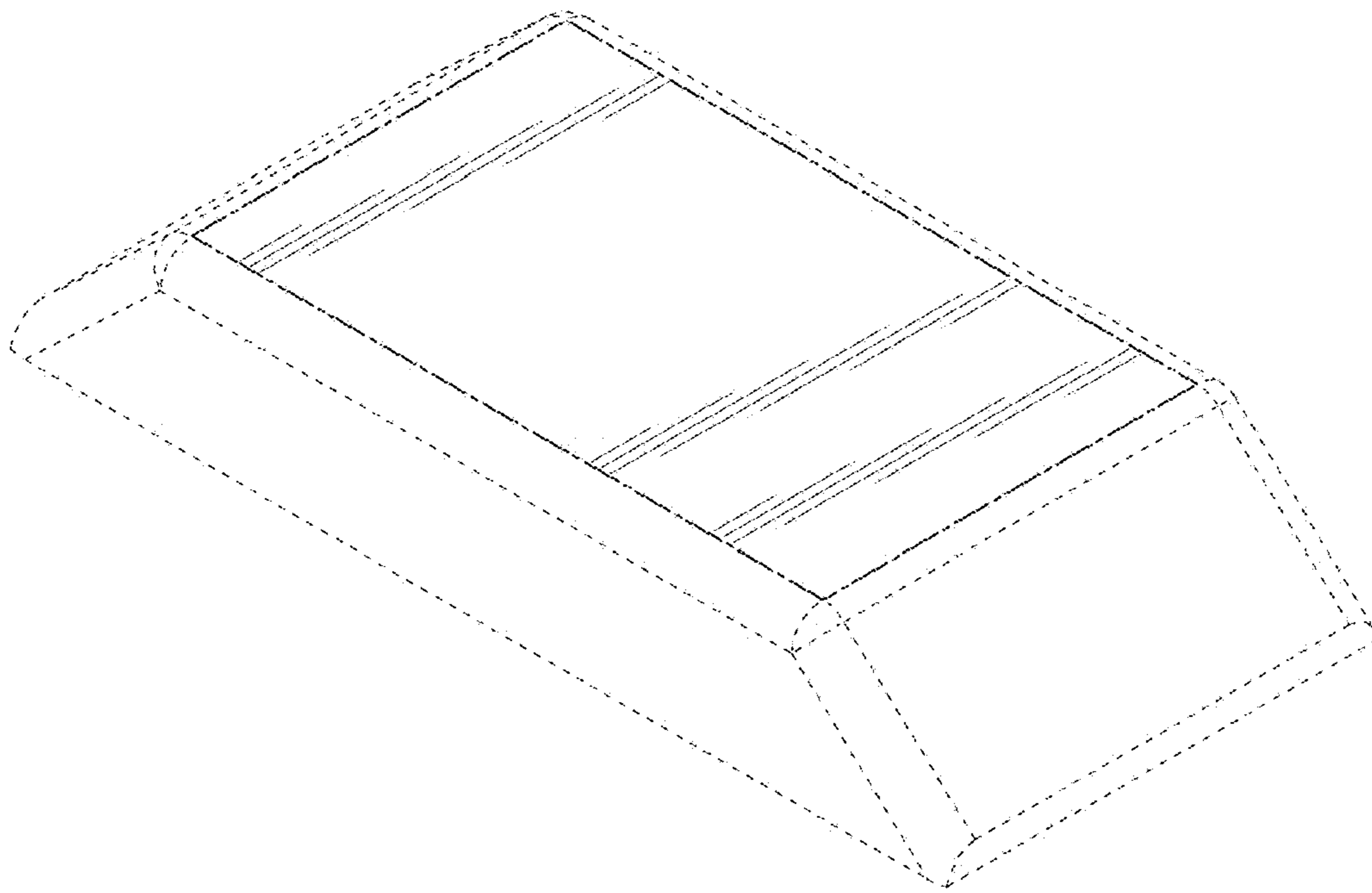


FIG. 1

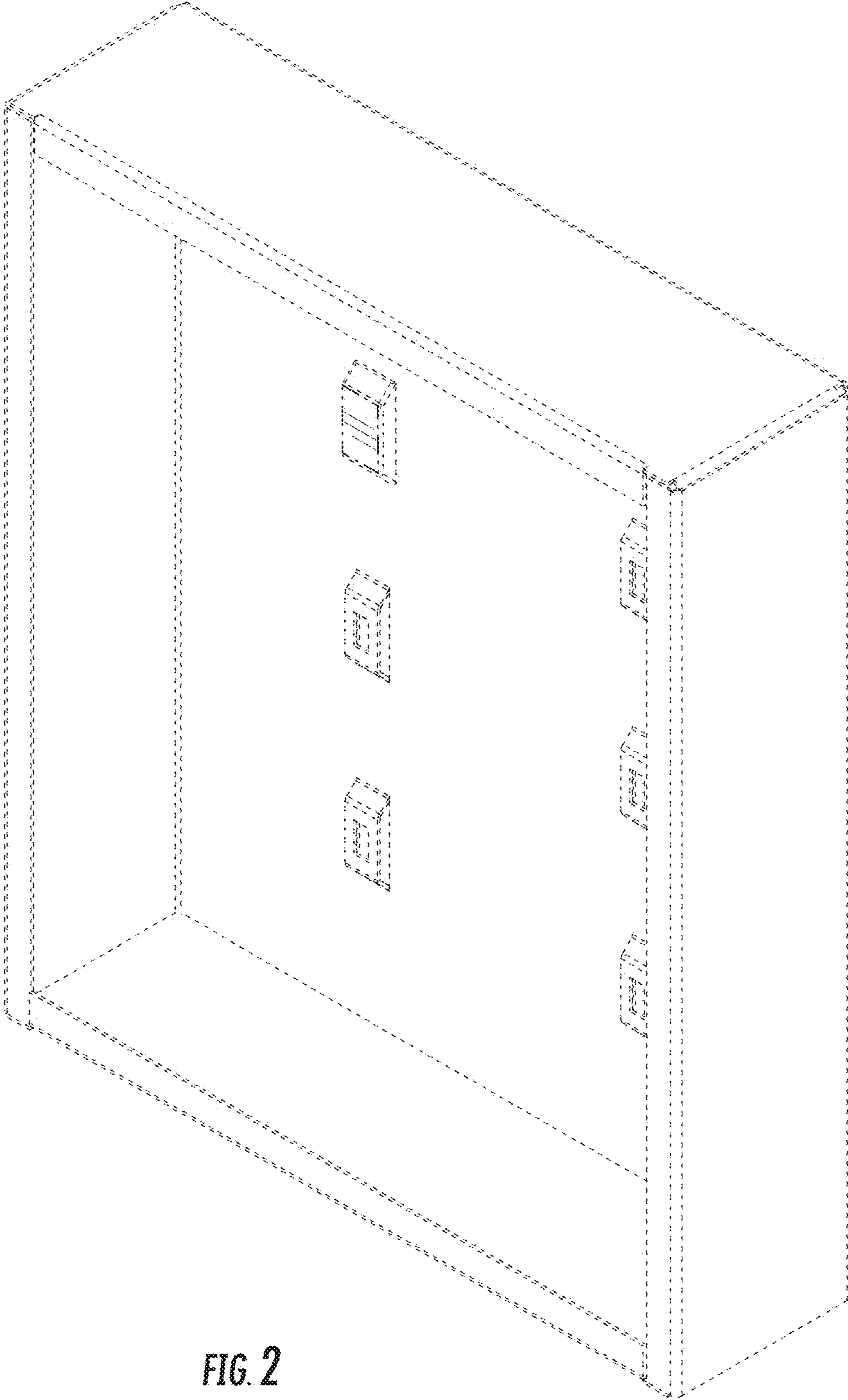


FIG. 2

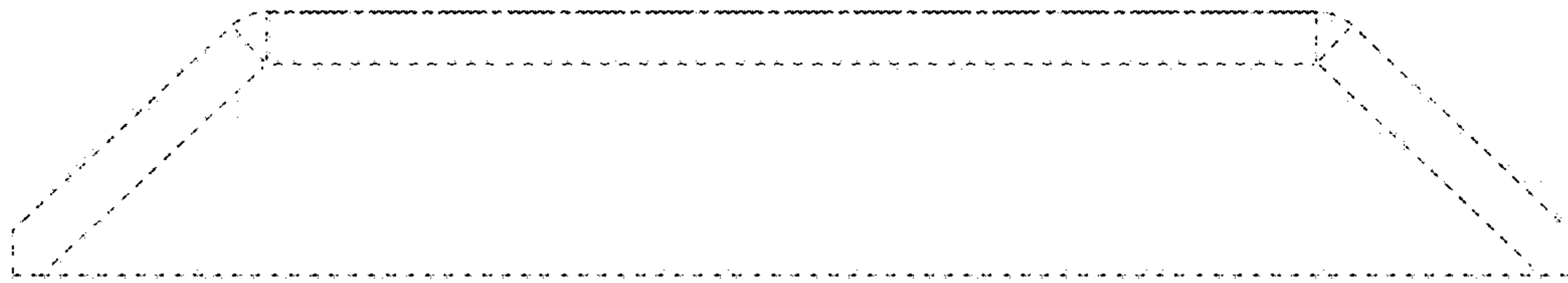


FIG. 3

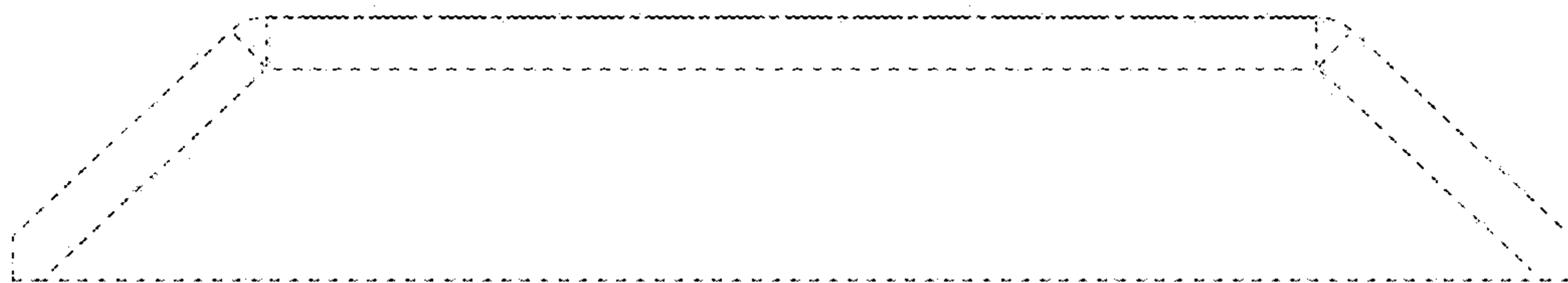


FIG. 4

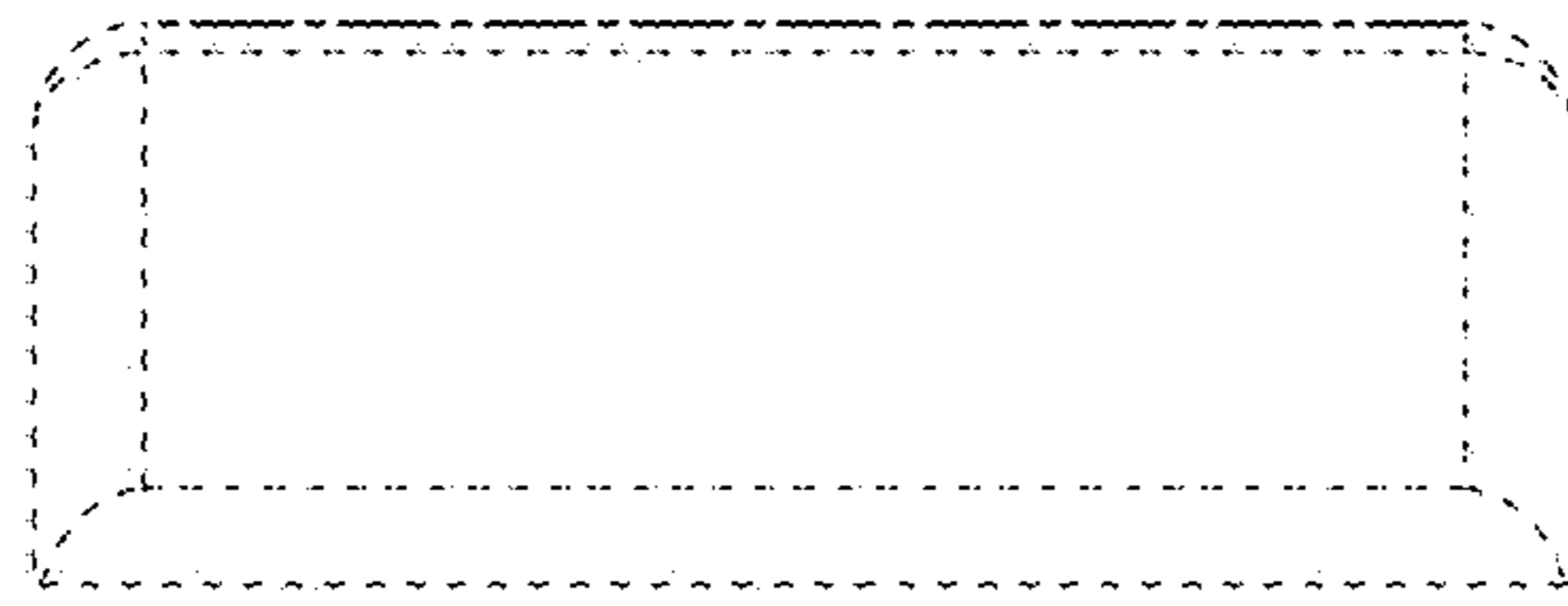


FIG. 5

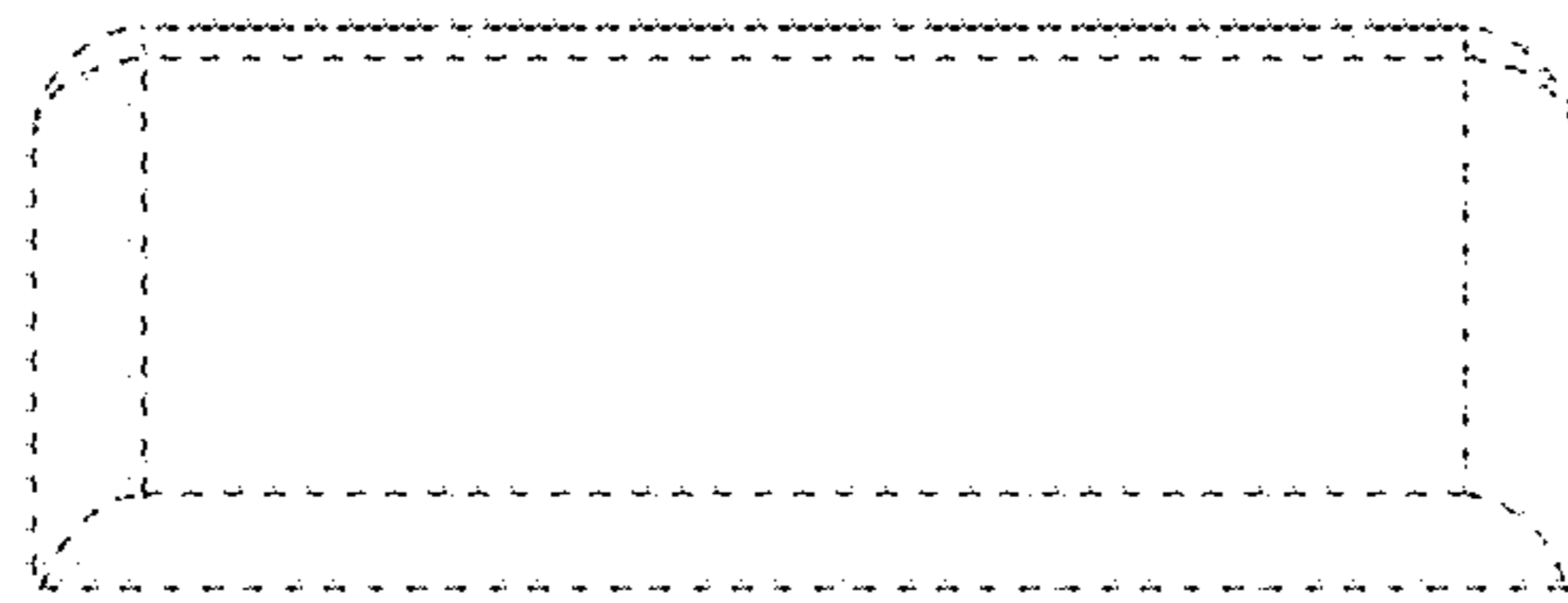


FIG. 6

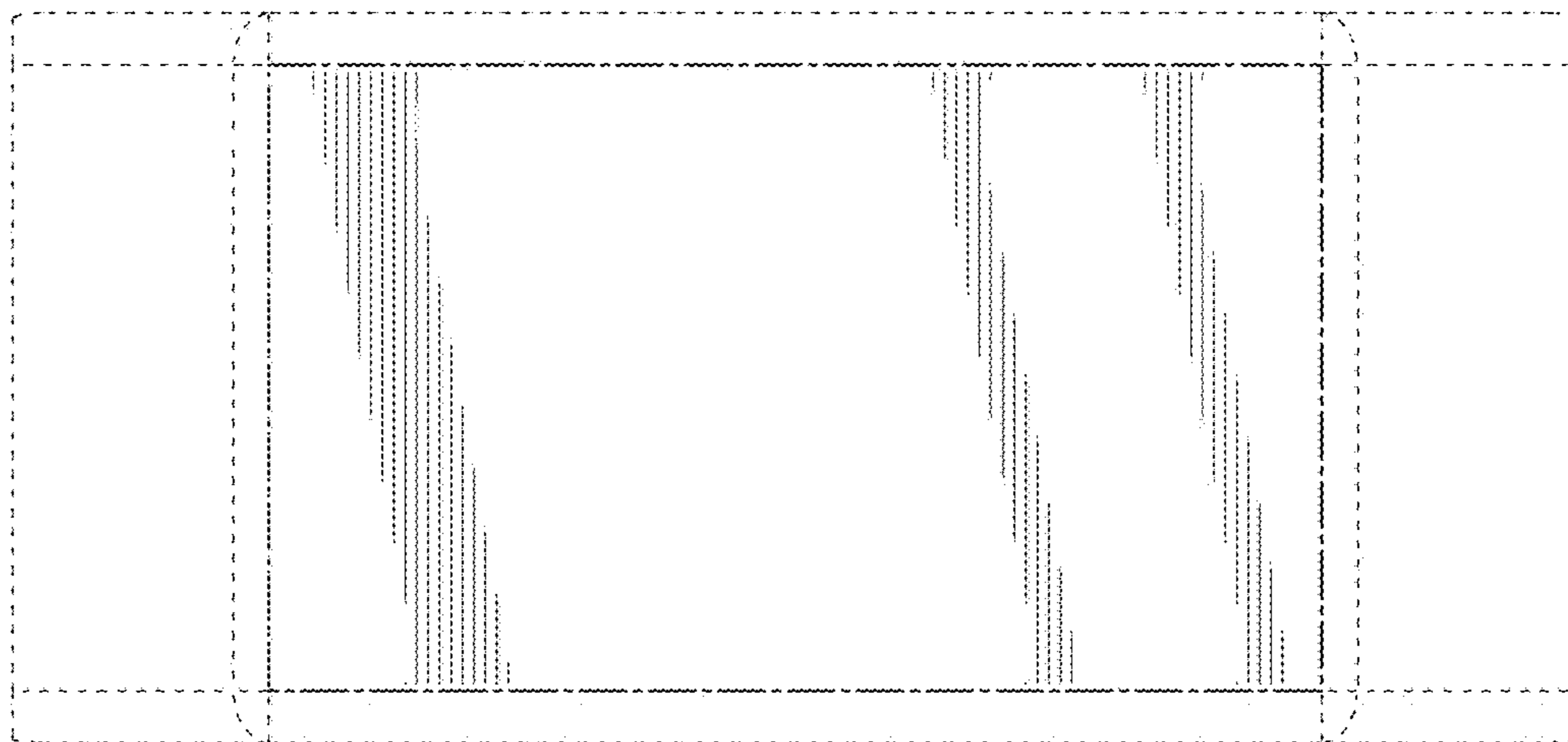


FIG. 7

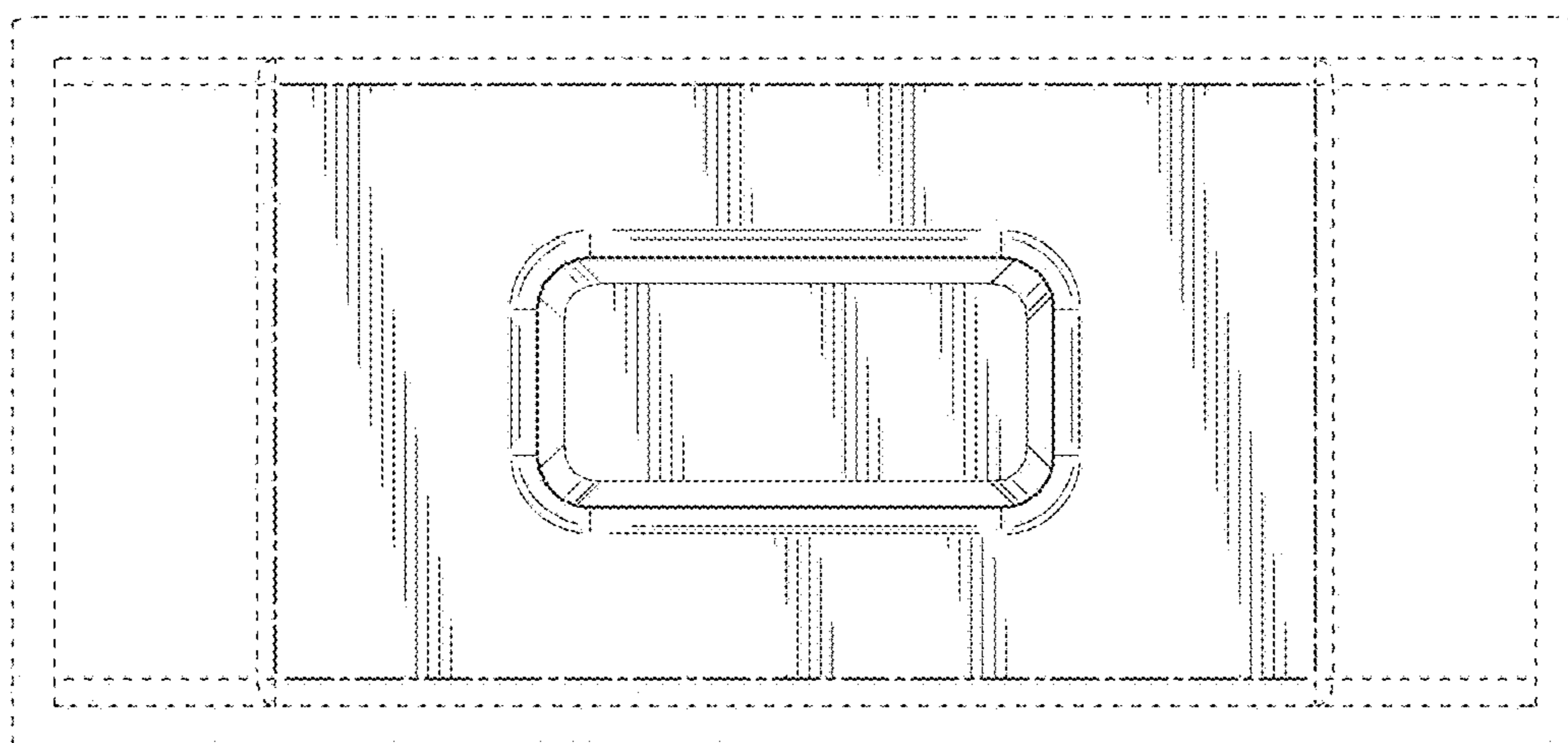


FIG. 8

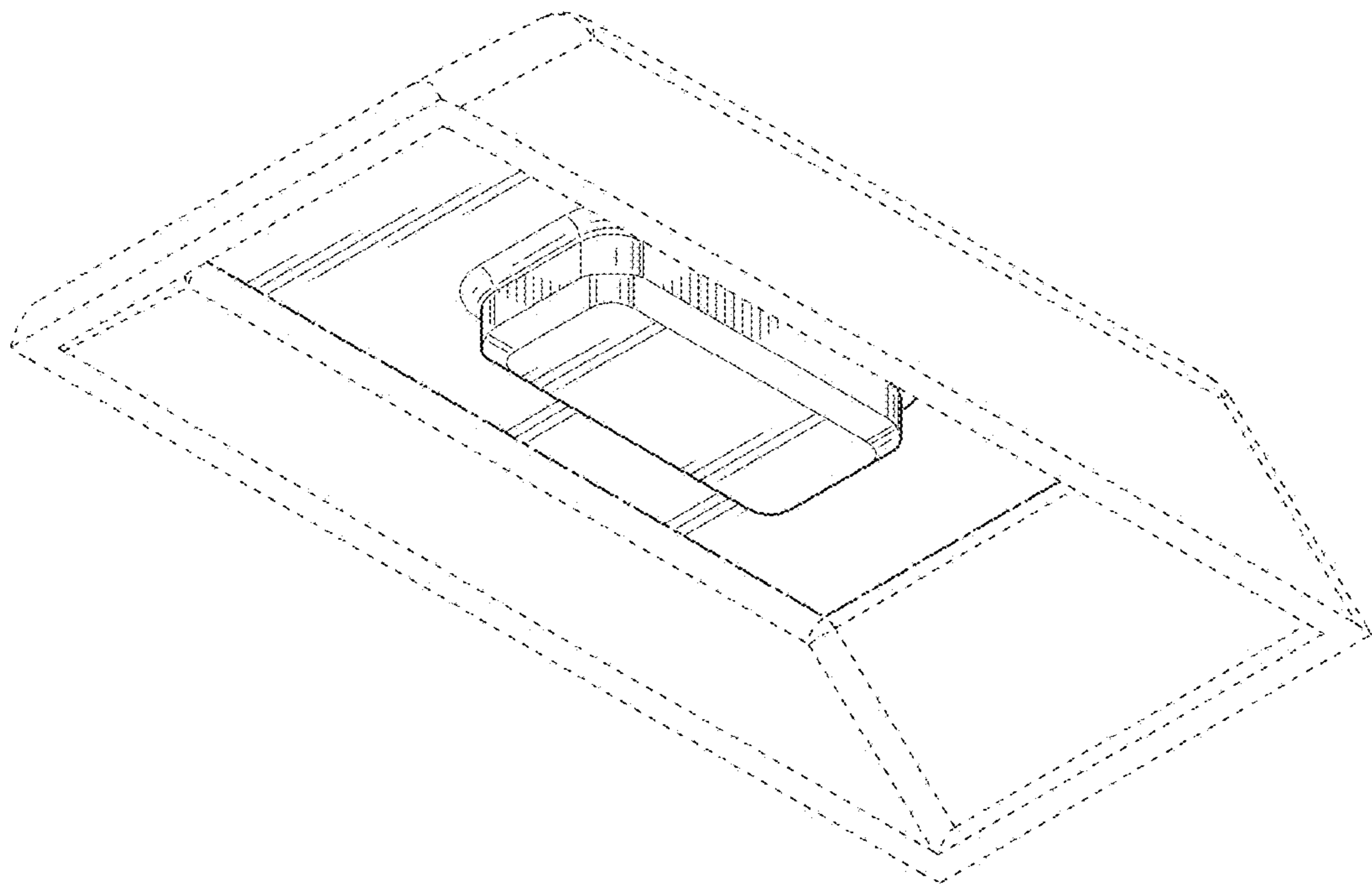


FIG. 9