



US00D842823S

(12) **United States Design Patent**
Okajima et al.

(10) **Patent No.:** **US D842,823 S**
(45) **Date of Patent:** **** Mar. 12, 2019**

(54) **REACTION TUBE**

(71) Applicant: **Hitachi Kokusai Electric Inc.**, Tokyo (JP)

(72) Inventors: **Yusaku Okajima**, Toyama (JP); **Hidenari Yoshida**, Toyama (JP); **Shuhei Saido**, Toyama (JP); **Takafumi Sasaki**, Toyama (JP); **Hidetoshi Mimura**, Toyama (JP)

(73) Assignee: **KOKUSAI ELECTRIC CORPORATION**, Tokyo (JP)

(**) Term: **15 Years**

(21) Appl. No.: **29/635,262**

(22) Filed: **Jan. 30, 2018**

(30) **Foreign Application Priority Data**

Aug. 10, 2017 (JP) 2017-017353

(51) **LOC (11) Cl.** **13-03**

(52) **U.S. Cl.**
USPC **D13/182**

(58) **Field of Classification Search**
USPC D13/182
CPC H01L 21/67098; H01L 21/67103; H01L 21/67109; H01L 21/67115; C23C 16/455; C23C 16/45502; C23C 16/45504; C23C 16/45506; C23C 16/45508; C23C 16/4551; C23C 16/4586; C23C 16/4587; C23C 16/46; C23C 16/463; C23C 16/466
See application file for complete search history.

(56) **References Cited**

U.S. PATENT DOCUMENTS

4,950,870 A * 8/1990 Mitsuhashi C30B 25/10
219/390
5,618,349 A * 4/1997 Yuuki C23C 16/4412
118/715

D404,368 S * 1/1999 Shimazu D13/182
D405,062 S * 2/1999 Shimazu D13/182
D405,429 S * 2/1999 Hanagata D13/182
D405,431 S * 2/1999 Shimazu D13/182
D406,113 S * 2/1999 Hanagata D13/182
5,948,300 A * 9/1999 Gero C30B 25/14
118/725
5,968,593 A * 10/1999 Sakamoto H01L 21/67109
118/715
D417,438 S * 12/1999 Matsushima D13/182
D423,463 S * 4/2000 Hanagata D13/182
D424,024 S * 5/2000 Hanagata D13/182
6,251,189 B1 * 6/2001 Odake C23C 16/44
118/715
6,402,849 B2 * 6/2002 Kwag C23C 16/4412
118/715
D521,464 S * 5/2006 Ishii D13/182

(Continued)

Primary Examiner — Elizabeth J Oswecki

(74) *Attorney, Agent, or Firm* — Fitch, Even, Tabin & Flannery, LLP

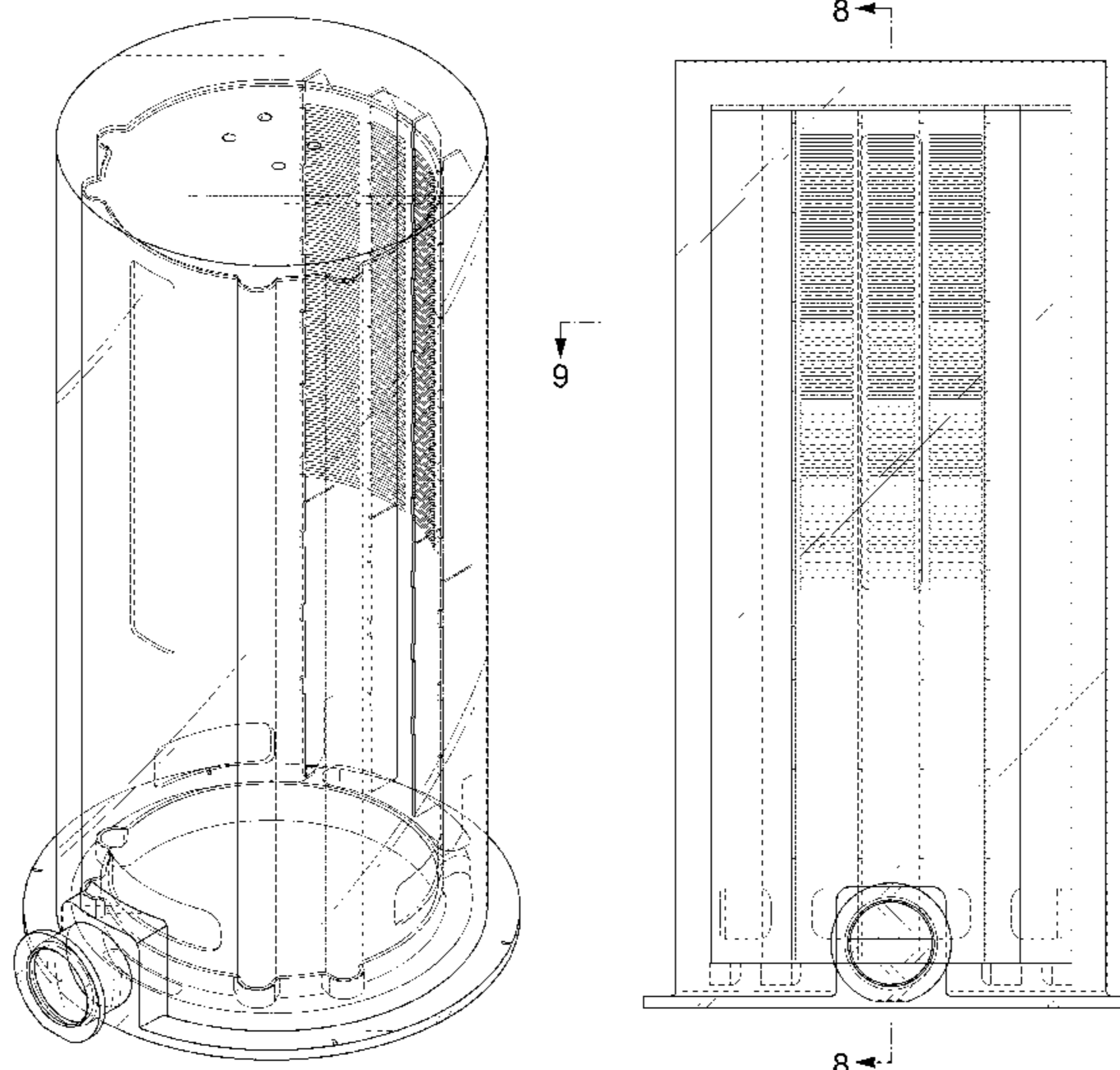
(57) **CLAIM**

The ornamental design for a reaction tube, as shown and described.

DESCRIPTION

FIG. 1 is a front, top and right side perspective view of a reaction tube showing our new design;
FIG. 2 is a front elevational view thereof;
FIG. 3 is a rear elevational view thereof;
FIG. 4 is a right side elevational view thereof;
FIG. 5 is a left side elevational view thereof;
FIG. 6 is a top plan view thereof;
FIG. 7 is a bottom plan view thereof;
FIG. 8 is a cross sectional view take along line 8-8 in FIG. 2 thereof; and,
FIG. 9 is a cross sectional view take along line 9-9 in FIG. 2.

1 Claim, 8 Drawing Sheets



(56)

References Cited

U.S. PATENT DOCUMENTS

D521,465 S * 5/2006 Ishii D13/182
7,311,520 B2 * 12/2007 Saito H01L 21/67109
118/725
D586,768 S * 2/2009 Inoue D13/182
D600,659 S * 9/2009 Matsuura D13/182
D610,559 S * 2/2010 Okada D13/182
D611,013 S * 3/2010 Takahashi D13/182
D618,638 S * 6/2010 Nakashima D13/182
D711,843 S * 8/2014 Yamazaki D13/182
D719,114 S * 12/2014 Yamazaki D13/182
D724,551 S * 3/2015 Kaneko D13/182
D725,055 S * 3/2015 Yamazaki D13/182
D739,832 S * 9/2015 Yamazaki D13/182
D770,993 S * 11/2016 Yoshida D13/182
D772,824 S * 11/2016 Yoshida D13/182
D791,090 S * 7/2017 Yoshida D13/182
D800,080 S * 10/2017 Nagata D13/182
2003/0221779 A1 * 12/2003 Okuda C23C 16/4405
156/345.26
2007/0098605 A1 * 5/2007 Johns B01J 8/003
422/219
2008/0083372 A1 * 4/2008 Inoue C23C 16/345
118/725
2009/0194521 A1 * 8/2009 Kobayashi F27B 17/0025
219/520
2009/0250005 A1 * 10/2009 Kaneko H01L 21/67109
118/724

* cited by examiner

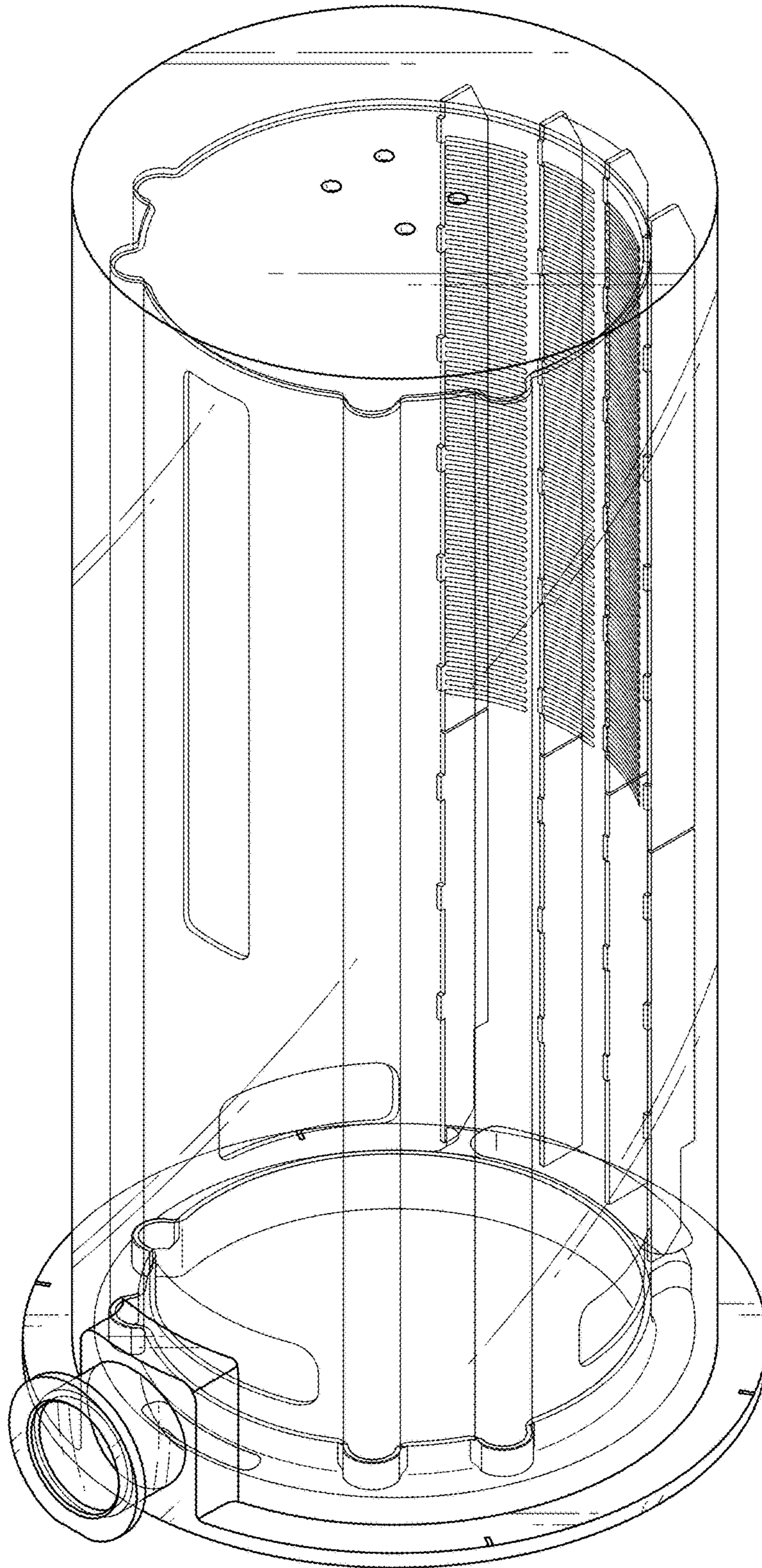


FIG. 1

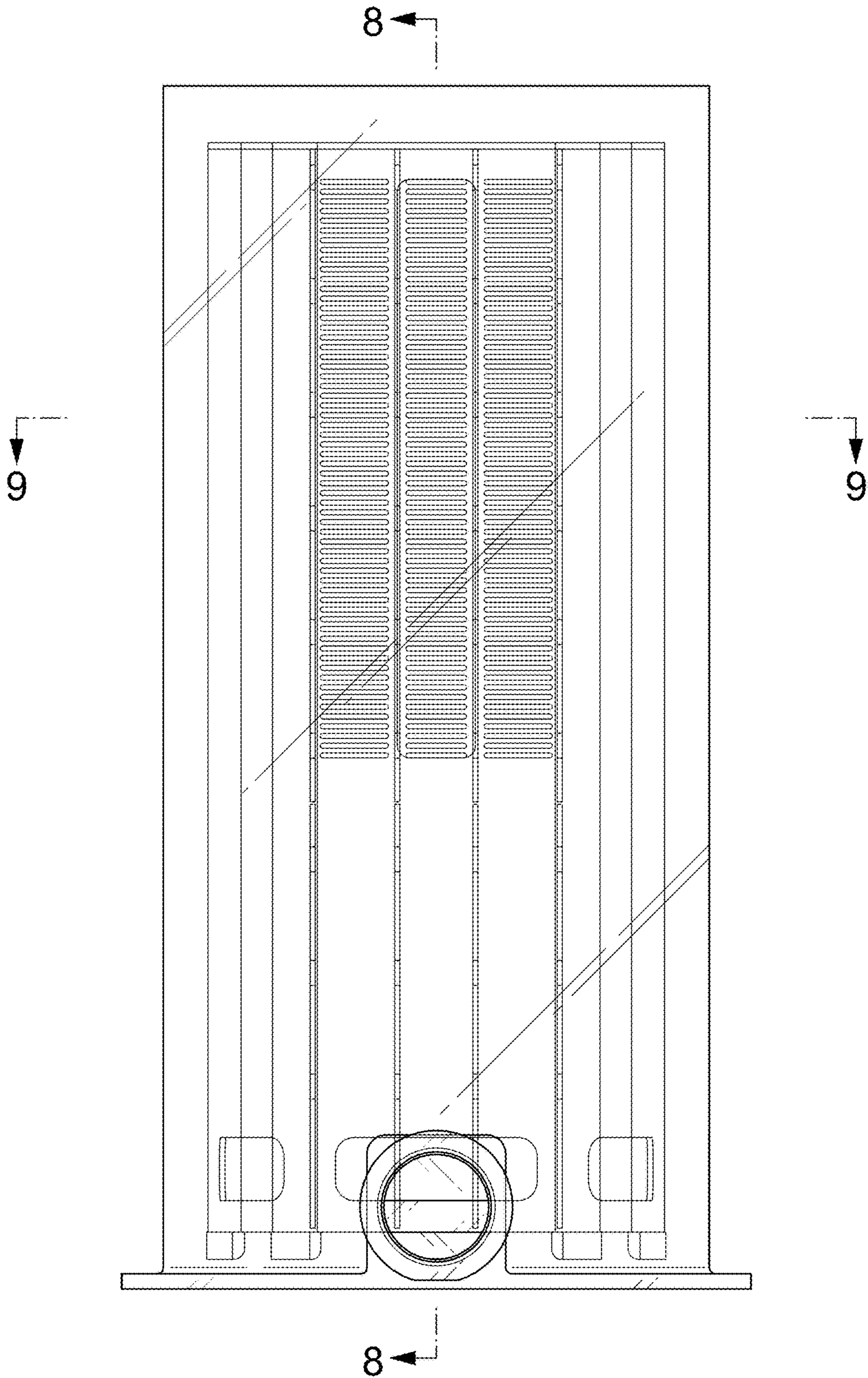


FIG. 2

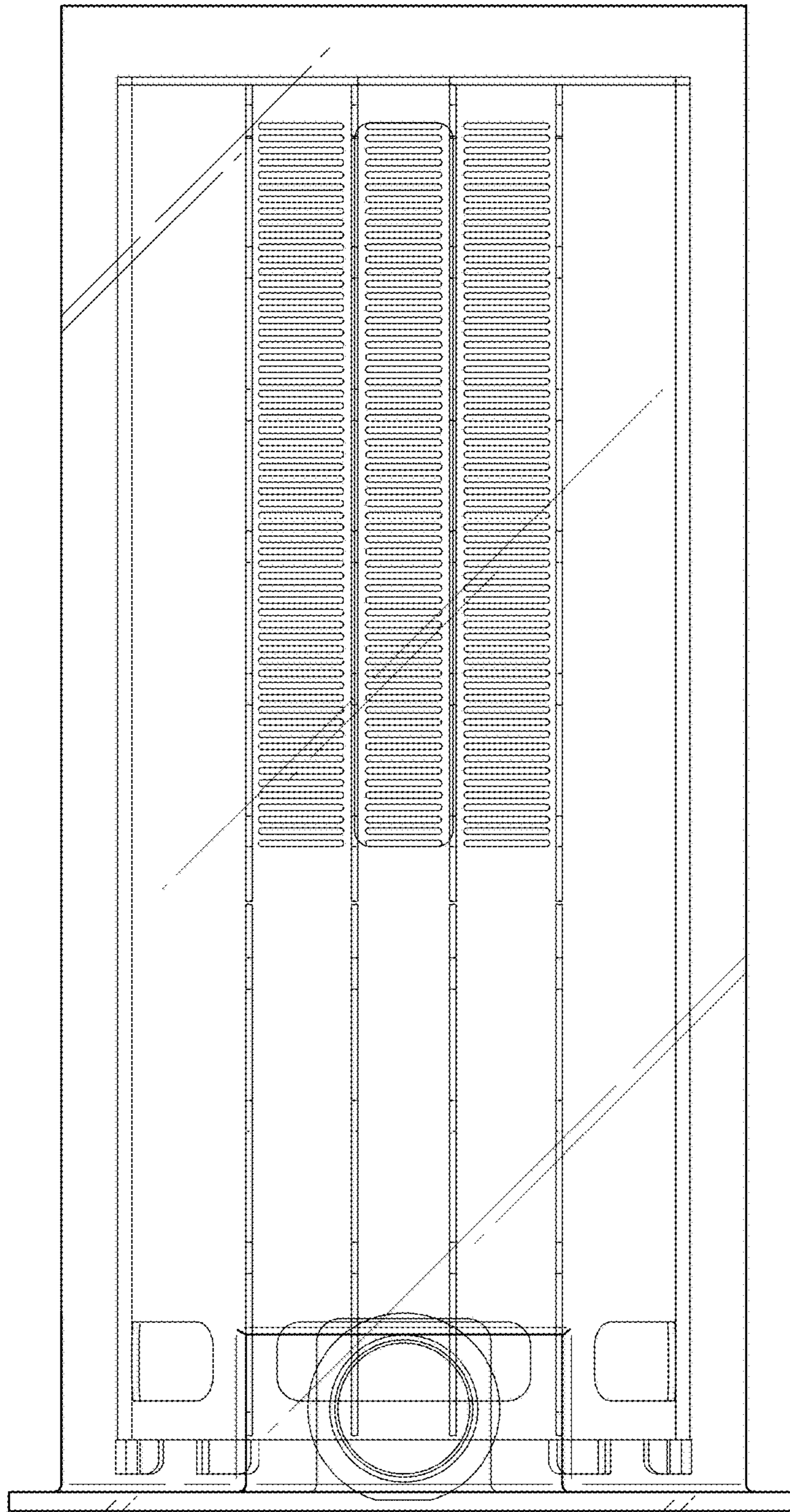


FIG. 3

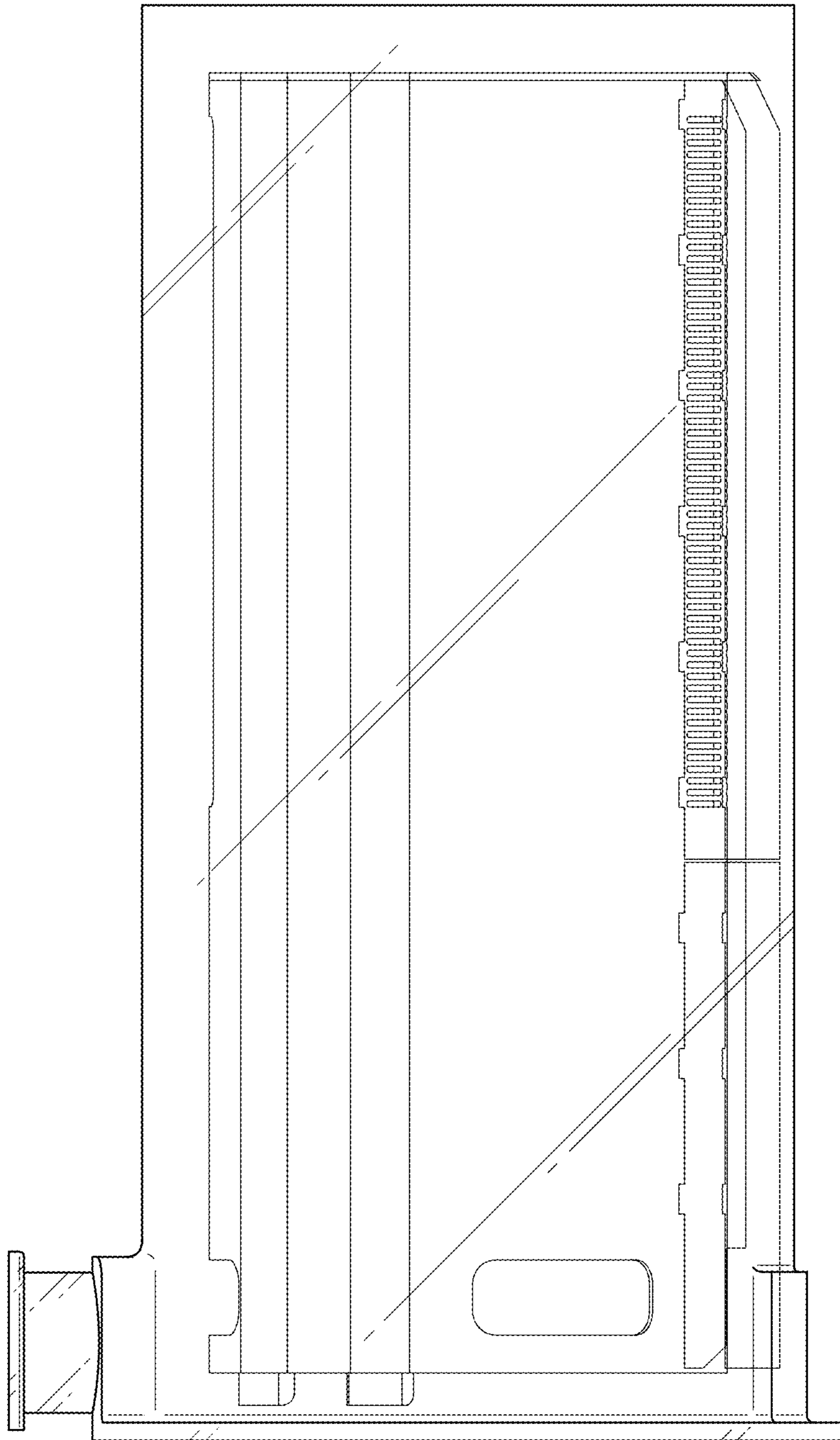


FIG. 4

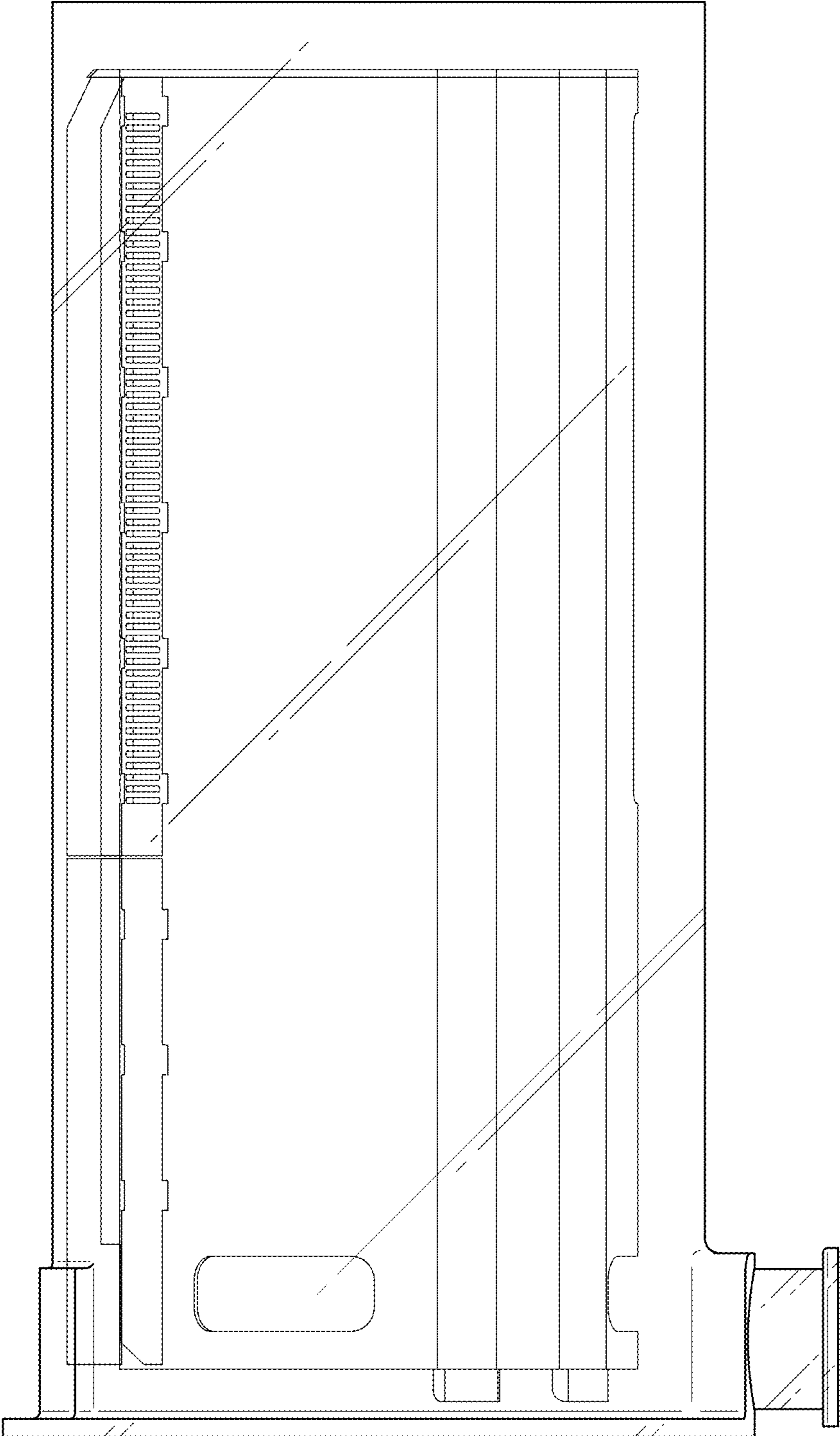


FIG. 5

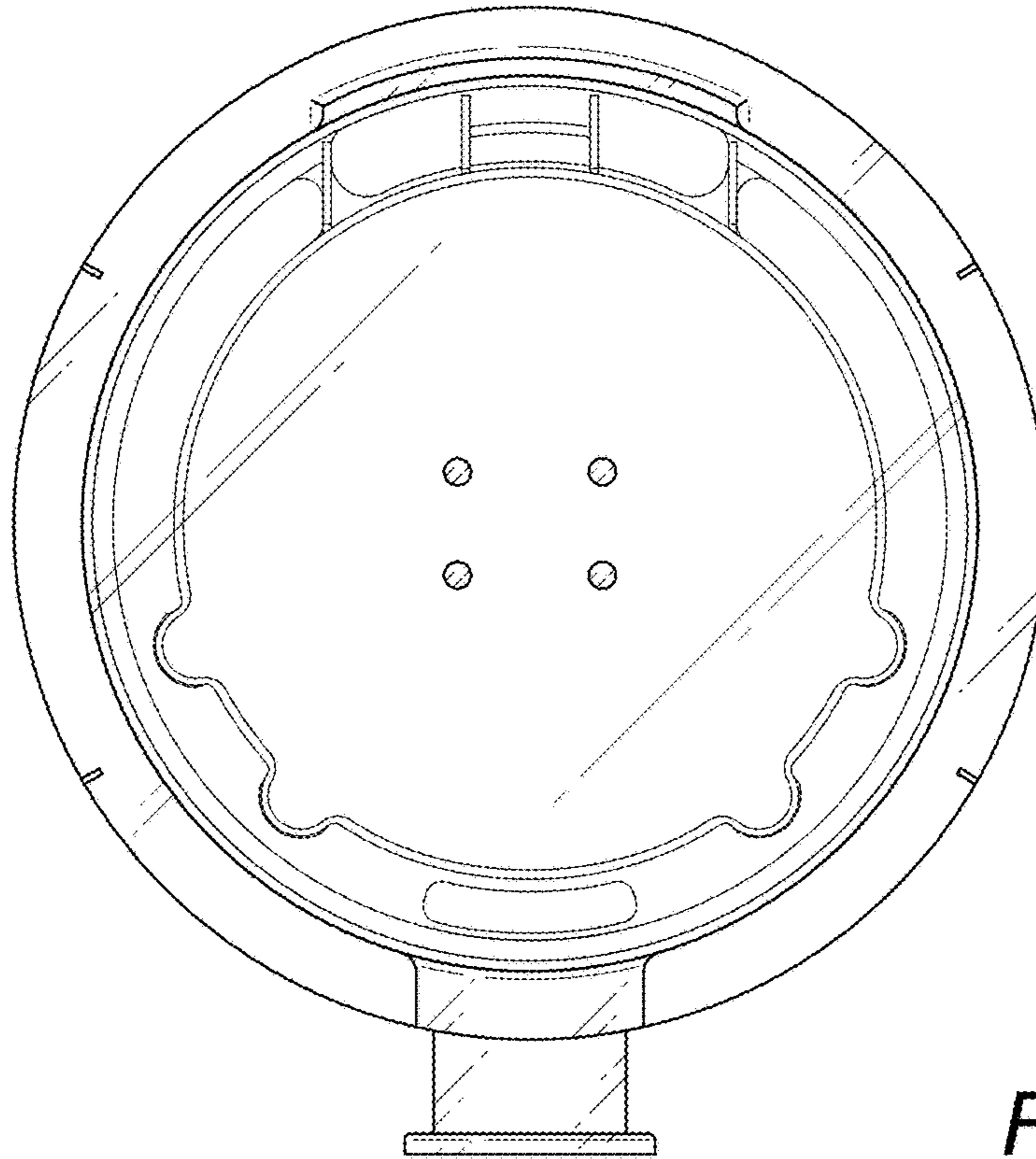


FIG. 6

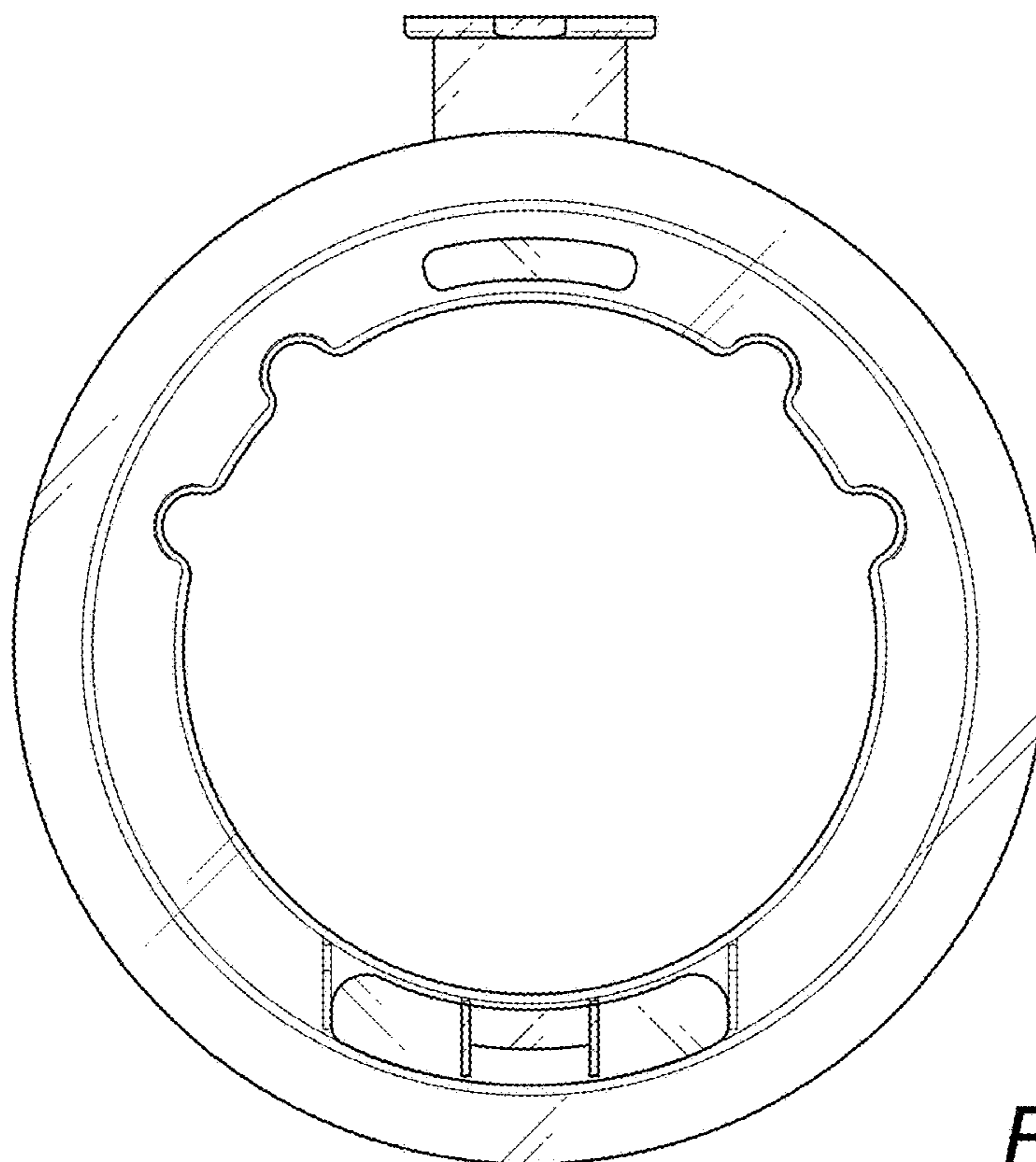


FIG. 7

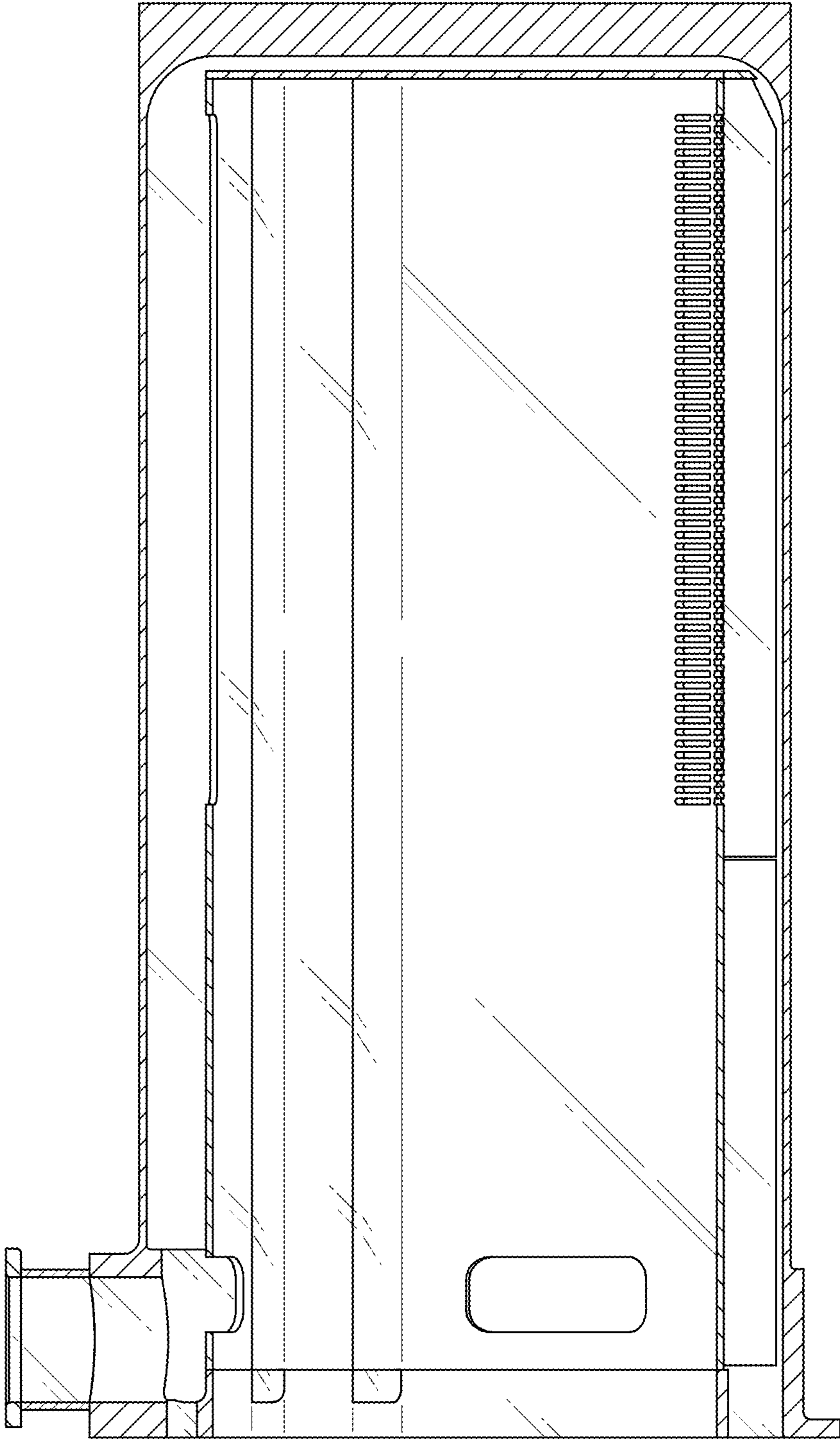


FIG. 8

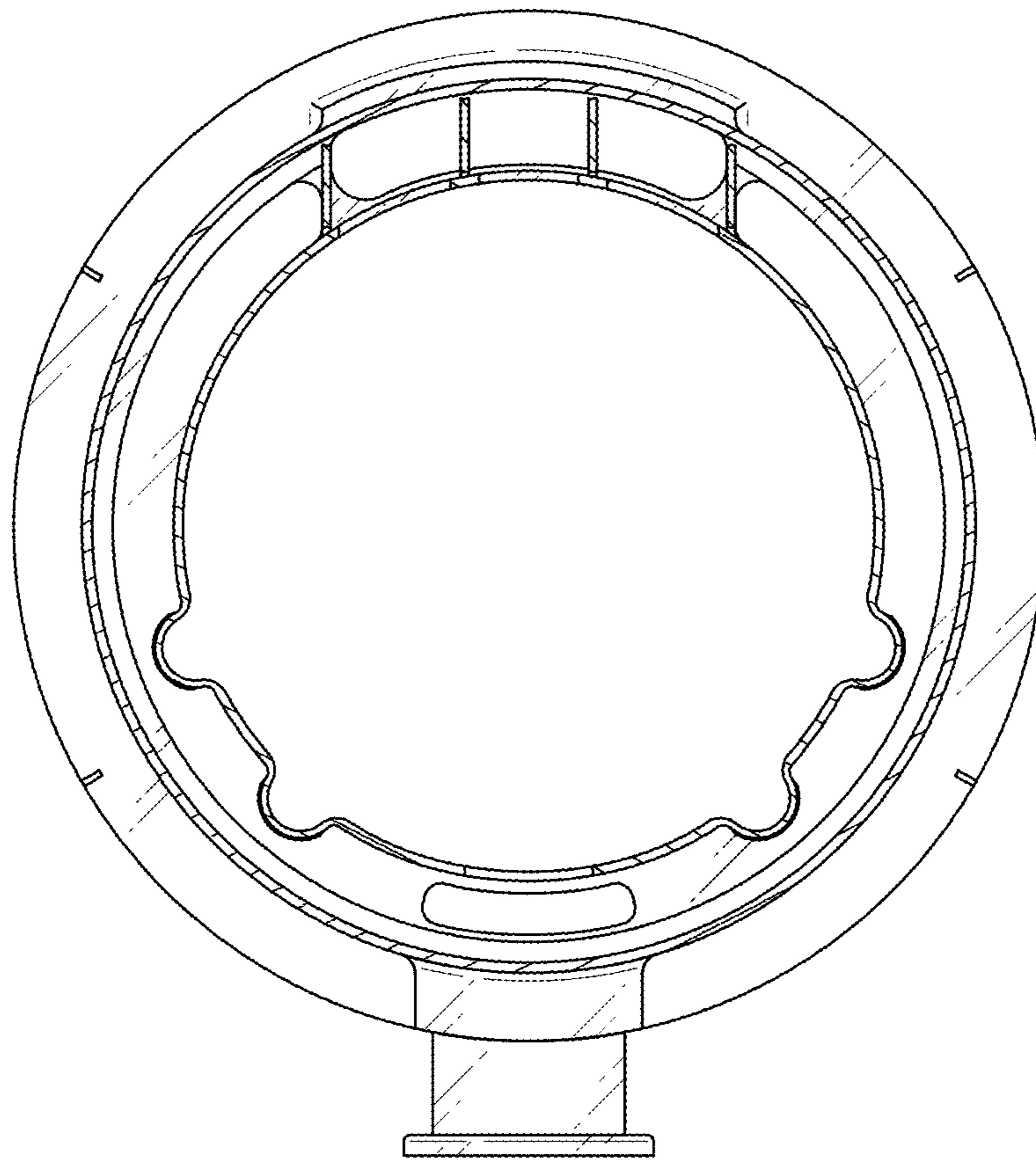


FIG. 9