



US00D842822S

(12) **United States Design Patent**
Mira et al.

(10) **Patent No.:** **US D842,822 S**
(45) **Date of Patent:** **** Mar. 12, 2019**

(54) **FLEXIBLE FOLDED FIN HEATSINK WITH STRAIGHT AND RADIAL FIN PATTERNS**

D481,017 S * 10/2003 Hsia D13/179
6,681,847 B1 * 1/2004 Lee B22F 7/062
165/185
D586,763 S * 2/2009 Hua D13/179
D638,376 S * 5/2011 Herrmann D13/179
D672,730 S * 12/2012 Lin D13/179
D698,740 S * 2/2014 Schubert D13/179
D717,745 S * 11/2014 Schubert D13/179
D747,278 S * 1/2016 Murphy D13/179
D755,740 S * 5/2016 Chen D13/179

(71) Applicant: **HEATSCAPE.COM, INC.**, Morgan Hill, CA (US)

(72) Inventors: **Ali Mira**, Morgan Hill, CA (US);
Yashar Mira, Morgan Hill, CA (US);
Michael Mira, Morgan Hill, CA (US)

(73) Assignee: **HEATSCAPE.COM, INC.**, Morgan Hill, CA (US)

(**) Term: **15 Years**

(21) Appl. No.: **29/636,919**

(22) Filed: **Feb. 12, 2018**

Related U.S. Application Data

(62) Division of application No. 29/555,490, filed on Feb. 22, 2016, now Pat. No. Des. 810,034.

(51) **LOC (11) Cl.** **13-03**

(52) **U.S. Cl.**
USPC **D13/179**

(58) **Field of Classification Search**
USPC D13/179, 122, 182
CPC .. H05K 7/20; H05K 7/20172; H05K 7/20127;
H05K 7/20336; H05K 7/20154; H05K
7/20272; H01L 23/34; H01L 23/3672;
H01L 23/40; H01L 23/4006; H01L
23/4093; H01L 23/427; H01L 23/46;
F28D 15/0275; F28D 1/0426; F28D
15/0208; F28D 15/04; F28F 1/30; F28F
2215/00; G06F 1/20

See application file for complete search history.

(56) **References Cited**

U.S. PATENT DOCUMENTS

D400,188 S * 10/1998 Chu D13/179
6,260,610 B1 * 7/2001 Biber H01L 21/4871
165/80.3

(Continued)

OTHER PUBLICATIONS

AAVID Genie, "Folded Fin Heat Sinks: Putting All of Those Origami Skills to Work!", Posted Feb. 9, 2018. (<https://www.aavidgenie.com/folded-tech-overview/>) (Year: 2018).*

(Continued)

Primary Examiner — Jennifer Rivard

Assistant Examiner — April Rivas

(74) *Attorney, Agent, or Firm* — Kilpatrick Townsend & Stockton LLP

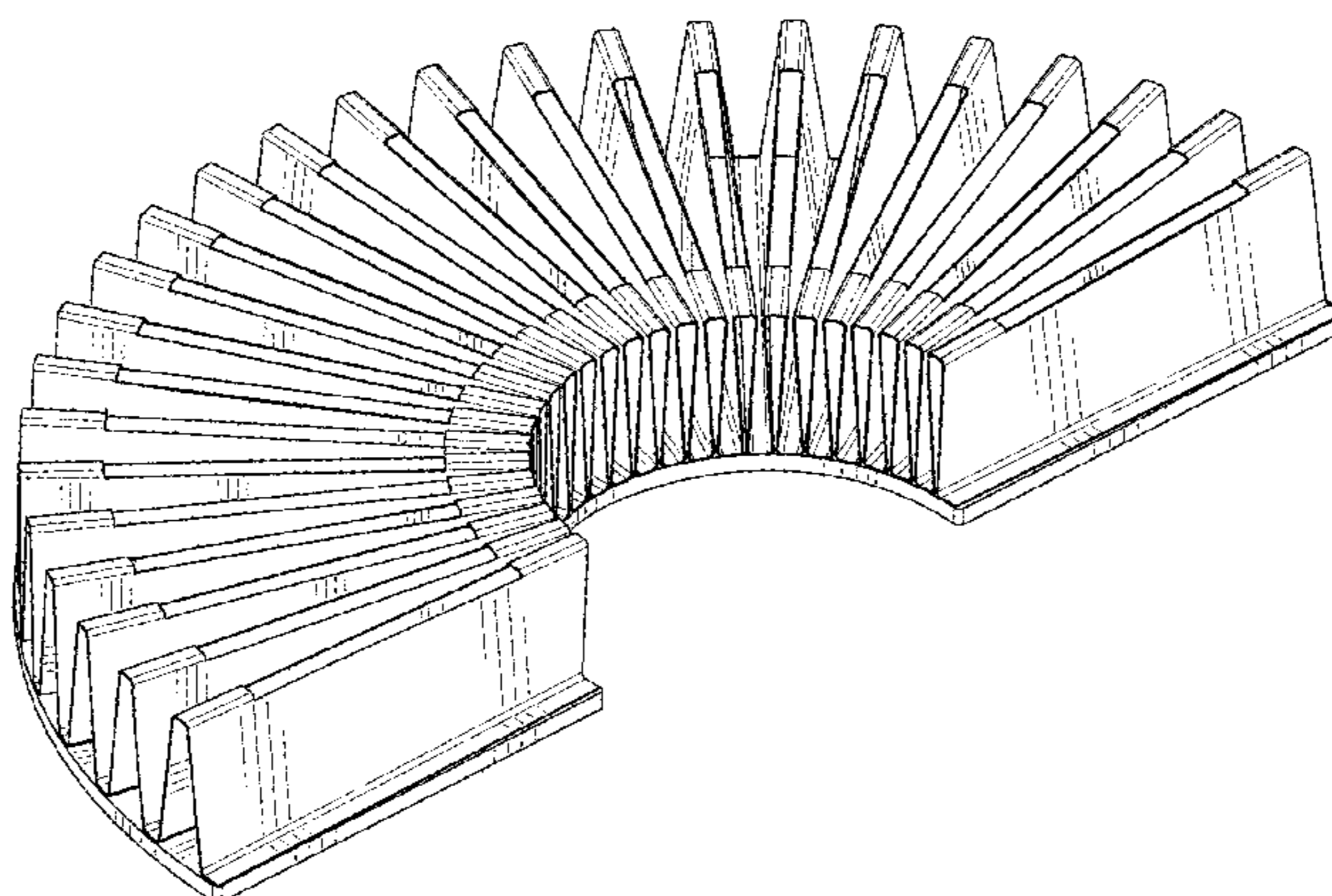
(57) **CLAIM**

The ornamental design for a flexible folded fin heatsink with straight and radial fin patterns, as shown and described.

DESCRIPTION

FIG. 1 is a top perspective view of a flexible folded fin heatsink with straight and radial fin patterns in a curved and extended configuration showing our new design; FIG. 2 is a left side elevational view thereof; FIG. 3 a right side elevational view thereof; FIG. 4 is a rear elevational view thereof; FIG. 5 is a front elevational view thereof; FIG. 6 is a top plan view thereof; and, FIG. 7 is a bottom plan view thereof.

1 Claim, 7 Drawing Sheets



(56)

References Cited

U.S. PATENT DOCUMENTS

2002/0093789 A1* 7/2002 Sloan H01L 23/4093
361/679.54
2002/0105785 A1* 8/2002 Davis H01L 23/4006
361/703
2002/0121365 A1* 9/2002 Kozyra F28F 3/025
165/185
2002/0139833 A1* 10/2002 Armstrong B23K 1/0012
228/248.1
2003/0155110 A1* 8/2003 Joshi F28F 3/02
165/185
2005/0150633 A1* 7/2005 Lee F28F 13/00
165/80.3
2005/0156013 A1* 7/2005 Bhatti F28F 3/025
228/193
2008/0017360 A1* 1/2008 Campbell F28F 1/32
165/148
2012/0147562 A1* 6/2012 Feng F28D 15/0266
361/696
2013/0306273 A1* 11/2013 Iyengar H01L 23/473
165/104.19
2014/0177166 A1* 6/2014 Nardi H01L 23/3672
361/679.54
2016/0029517 A1* 1/2016 Kim H05K 7/20409
361/710
2016/0341488 A1* 11/2016 Wan F28D 15/0266
2017/0055370 A1* 2/2017 Tsai H01L 23/473

OTHER PUBLICATIONS

Enertron, "Folded Fins", Accessed Oct. 10, 2018. (<https://www.enertron-inc.com/folded-fins/>) (Year: 2018).*

* cited by examiner

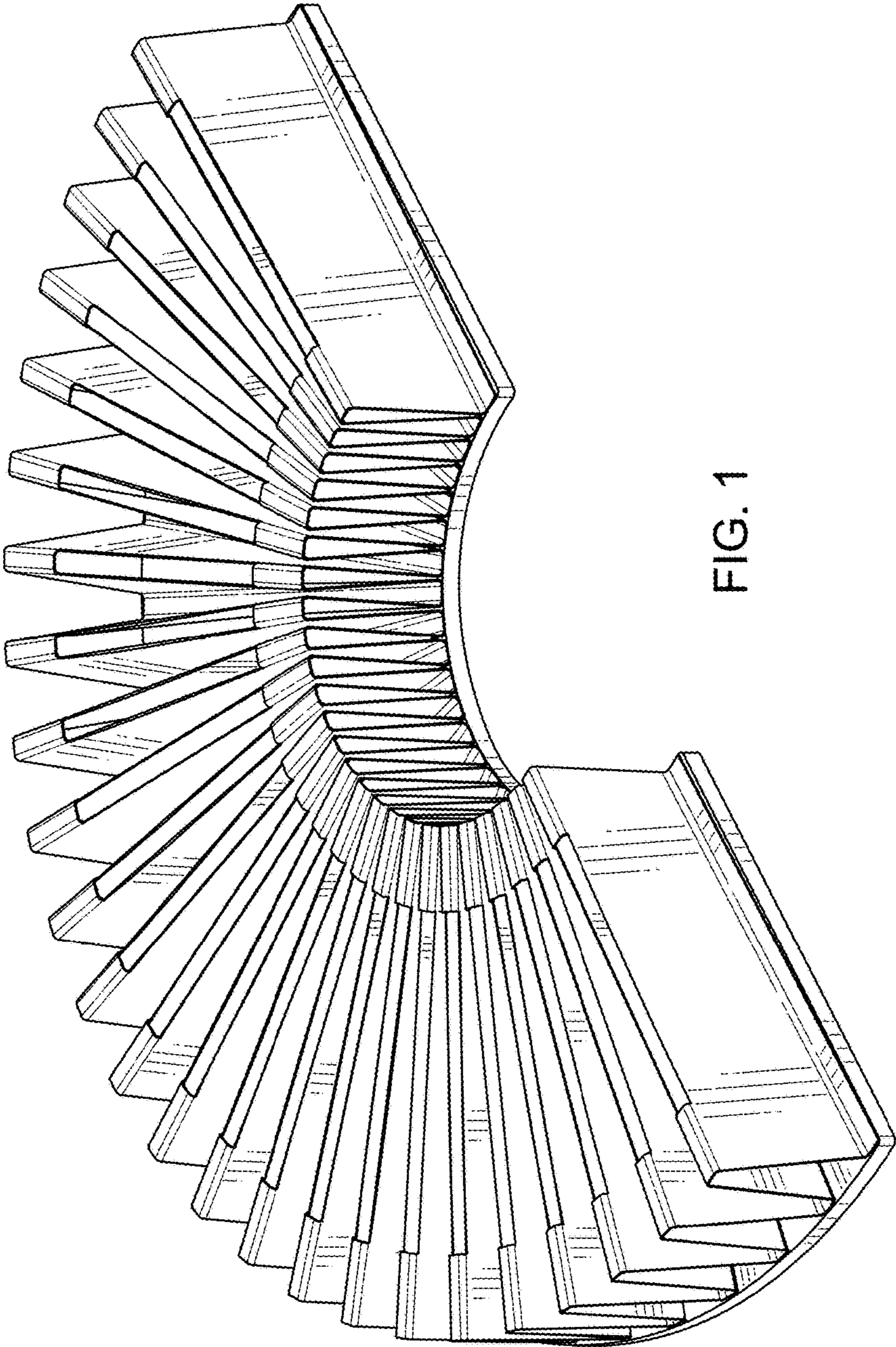


FIG. 1

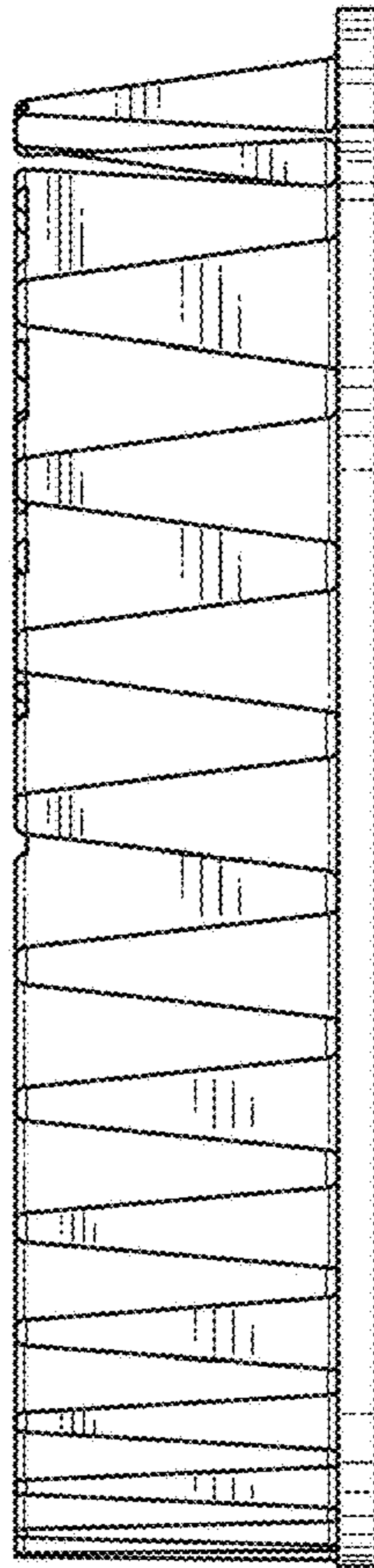


FIG. 2

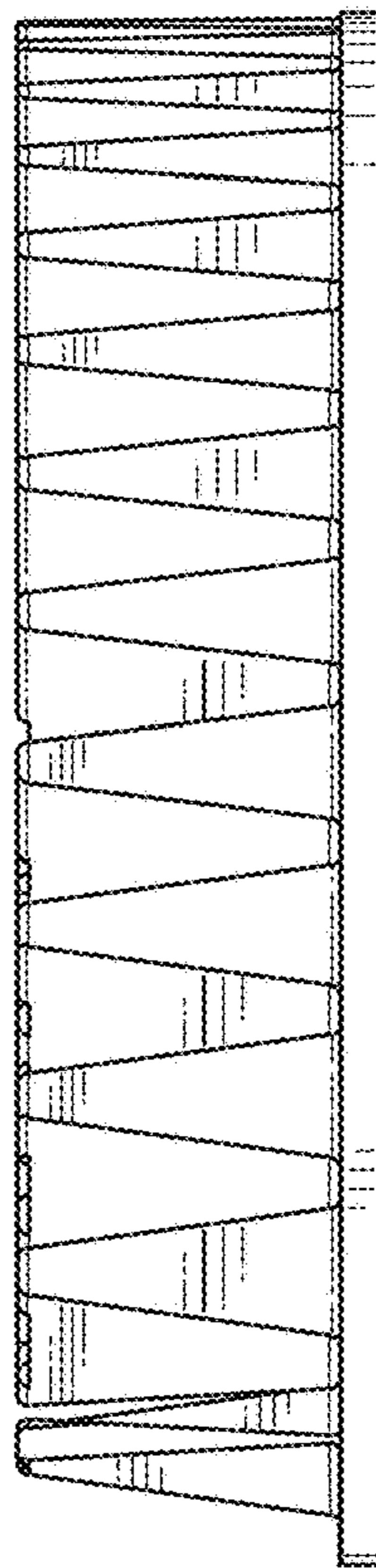


FIG. 3

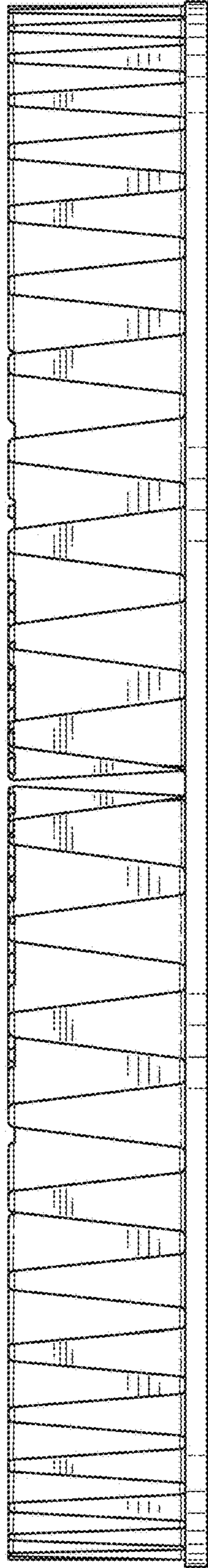


FIG. 4

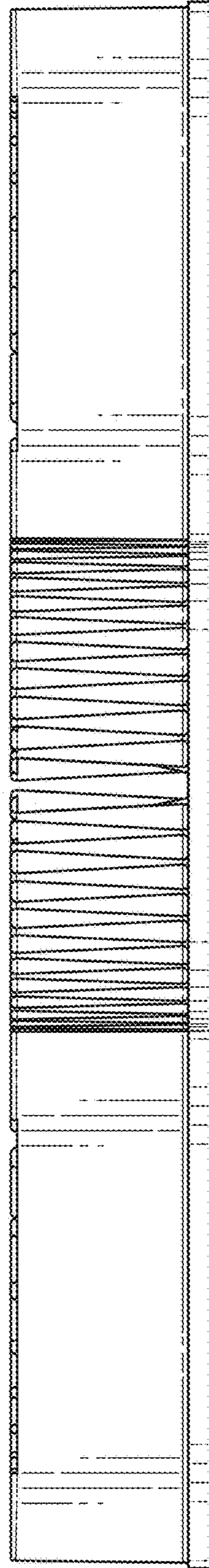


FIG. 5

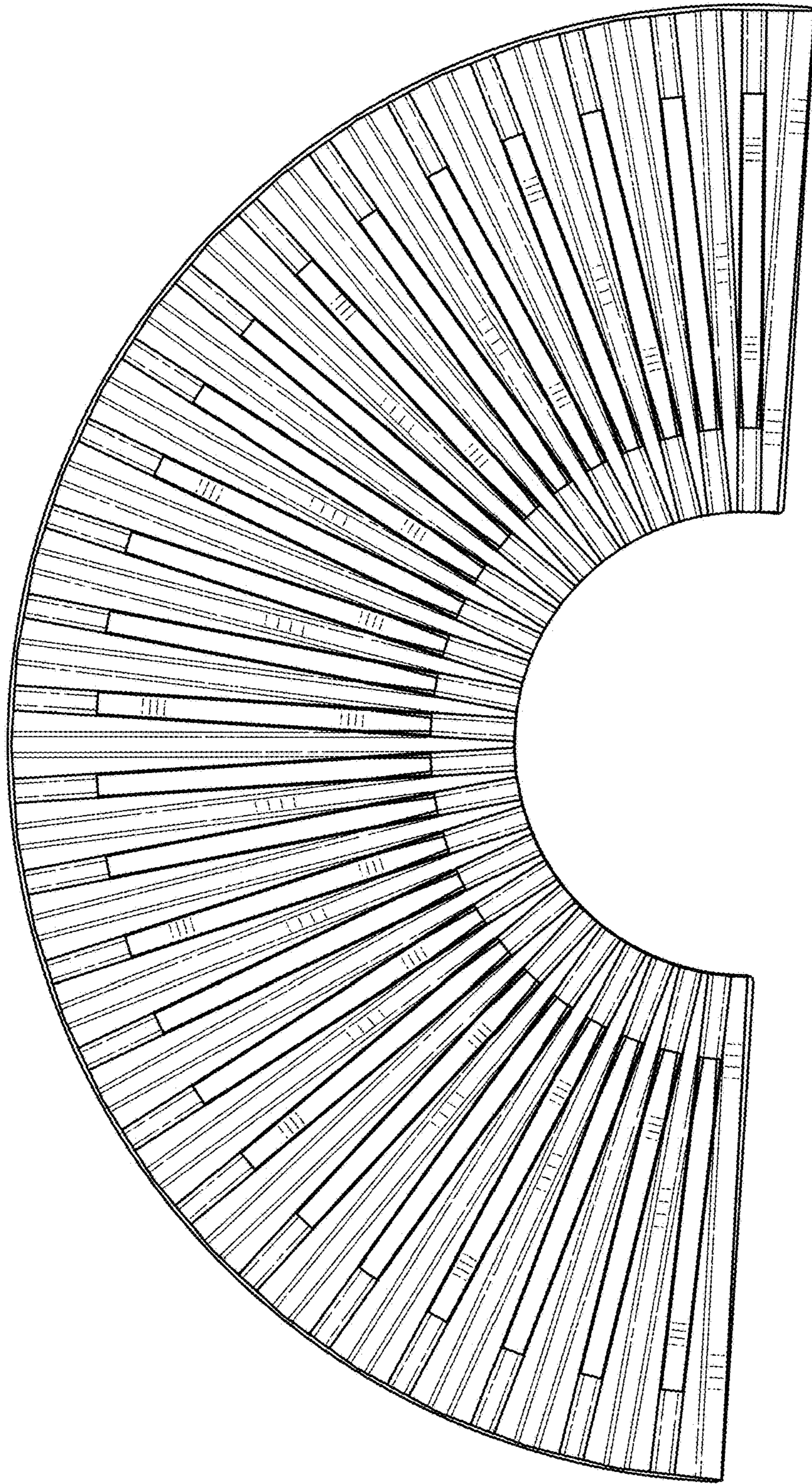


FIG. 6

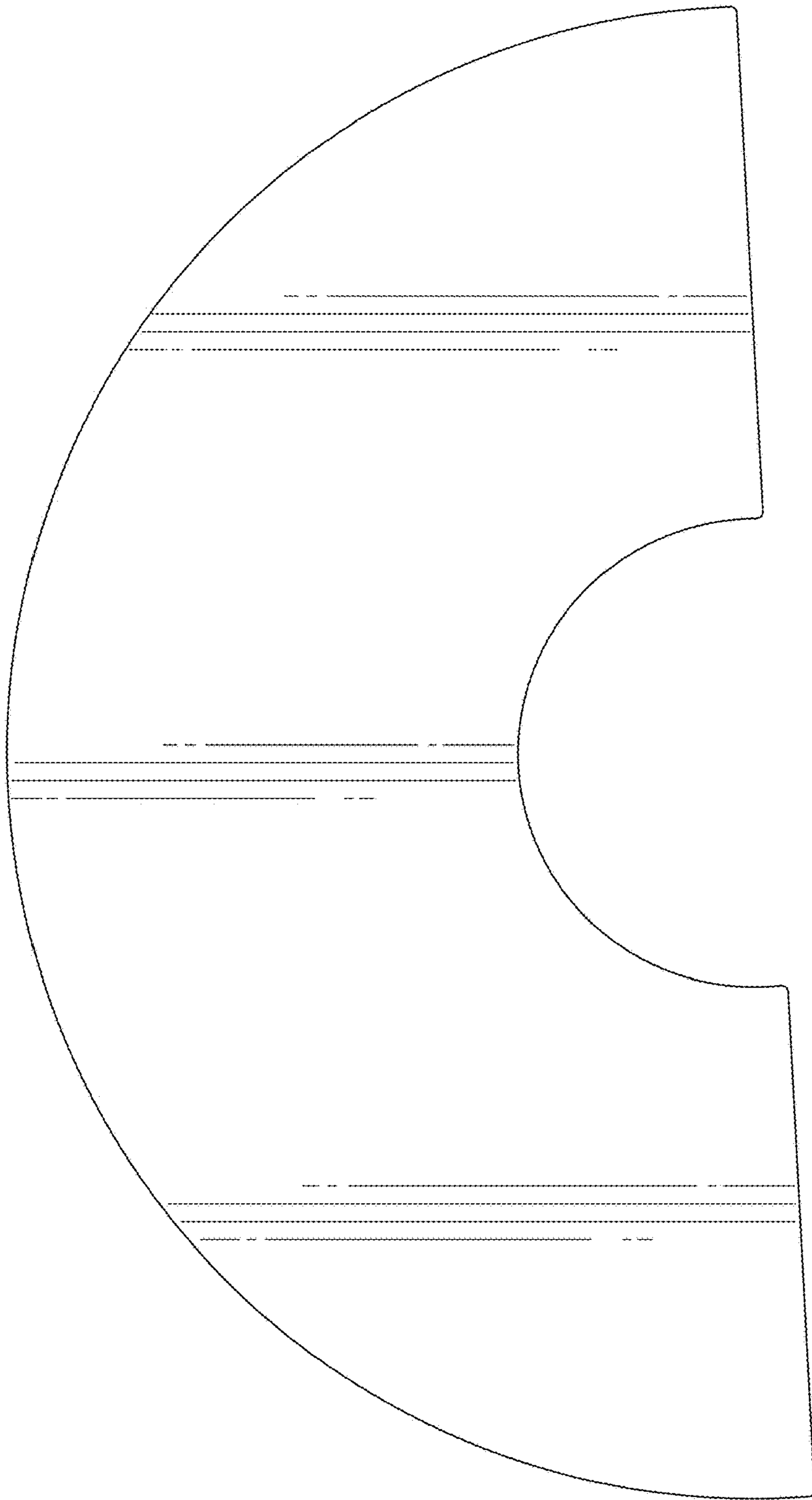


FIG. 7