

US00D842821S

(12) **United States Design Patent** (10) **Patent No.:** **US D842,821 S**  
**White** (45) **Date of Patent:** **\*\* Mar. 12, 2019**

- (54) **SET OF SIGNALLING SWITCH AND INDICATOR LIGHT ASSEMBLY**
- (71) Applicant: **Franklin B White**, Ft. Pierce, FL (US)
- (72) Inventor: **Franklin B White**, Ft. Pierce, FL (US)
- (\*\*) Term: **15 Years**
- (21) Appl. No.: **29/620,957**
- (22) Filed: **Sep. 8, 2017**
- (51) **LOC (11) Cl.** ..... **13-03**
- (52) **U.S. Cl.**  
 USPC ..... **D13/169**
- (58) **Field of Classification Search**  
 USPC ..... D13/158, 162, 169; D10/109.1, 115; D12/174  
 CPC ..... H05B 37/025; H05B 37/0218; H05B 37/0227; H05B 37/0236; H05B 37/0245; H05B 37/0272; H05B 37/029; H05B 33/0842; H05B 33/0854; H01H 21/02  
 See application file for complete search history.

(56) **References Cited**

**U.S. PATENT DOCUMENTS**

D63,137 S	10/1923	Klug	.....	D10/115
D67,593 S	6/1925	Goodrich	.....	D10/109.1
2,593,337 A	4/1952	O'Brien	.....	200/59
3,433,906 A	3/1969	Bailey et al.	.....	200/1
D224,621 S *	8/1972	Kahn	.....	D13/168
3,684,850 A	8/1972	Kaderbek et al.	.....	200/166 SD
D238,082 S *	12/1975	Matthews	.....	D13/169
4,024,362 A	5/1977	Morgan et al.	.....	200/1 TK
4,114,292 A	9/1978	Smith	.....	35/9 B
4,215,277 A *	7/1980	Weiner	.....	H05B 37/029 307/115
D276,421 S	11/1984	Shaw	.....	D12/174
4,839,533 A *	6/1989	Aga	.....	H01H 3/022 192/129 A
5,154,615 A	10/1992	Joubert	.....	434/301
D333,294 S *	2/1993	Dossey	.....	D13/158
D388,770 S *	1/1998	Spatz	.....	D13/171

6,995,525 B2 *	2/2006	Barthelmess	.....	H05B 37/029 315/152
D739,359 S *	9/2015	Creasman	.....	D13/165
9,681,523 B2 *	6/2017	Wang	.....	H05B 37/0272
2015/0102729 A1 *	4/2015	Creasman	.....	G01J 1/0271 315/152

**OTHER PUBLICATIONS**

Display control panel photo Feb. 22, 2017 observed at "House of Lights" Cleveland, OH 44124.

\* cited by examiner

*Primary Examiner* — Selina Sikder

(74) *Attorney, Agent, or Firm* — David A. Burge

(57) **CLAIM**

I claim the ornamental design for a set of signalling switch and indicator light assembly, as shown and described.

**DESCRIPTION**

FIG. 1 is a top, front and left side perspective view showing my new design;

FIG. 2 is a top plan view of one part of the assembly thereof, shown separately for ease of illustration;

FIG. 3 is a front elevational view thereof, it being understood that a rear elevational view is a mirror image thereof;

FIG. 4 is a left side elevational view thereof;

FIG. 5 is a right side elevational view thereof;

FIG. 6 is a top plan view of the other part of the assembly thereof, shown separately for ease of illustration;

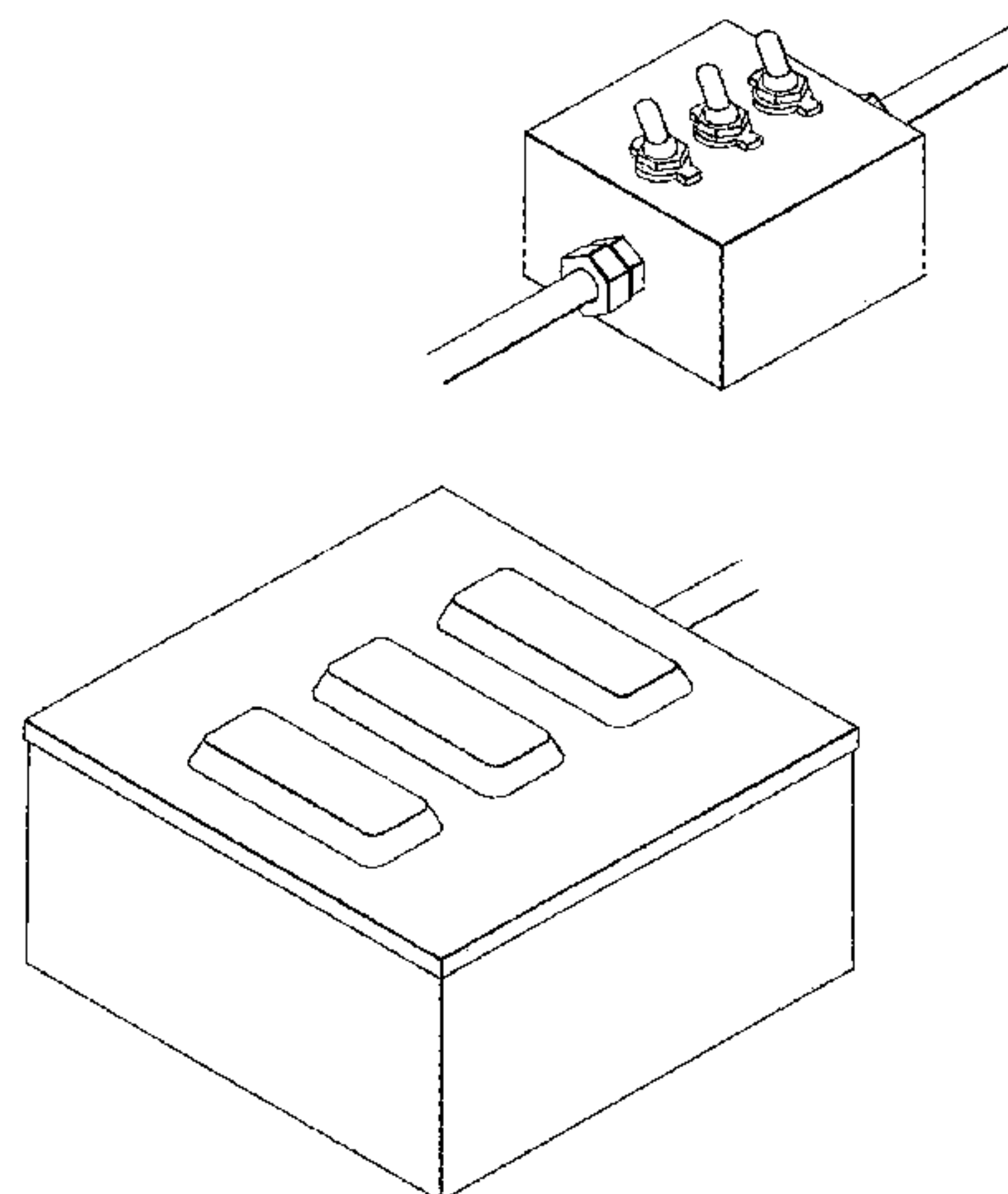
FIG. 7 is a front elevational view thereof;

FIG. 8 is a rear elevational view thereof; and,

FIG. 9 is a left side elevational view thereof, it being understood that a right side elevational view is a mirror image thereof.

Bottom views form no part of the claimed design, and are omitted from the drawings.

**1 Claim, 3 Drawing Sheets**



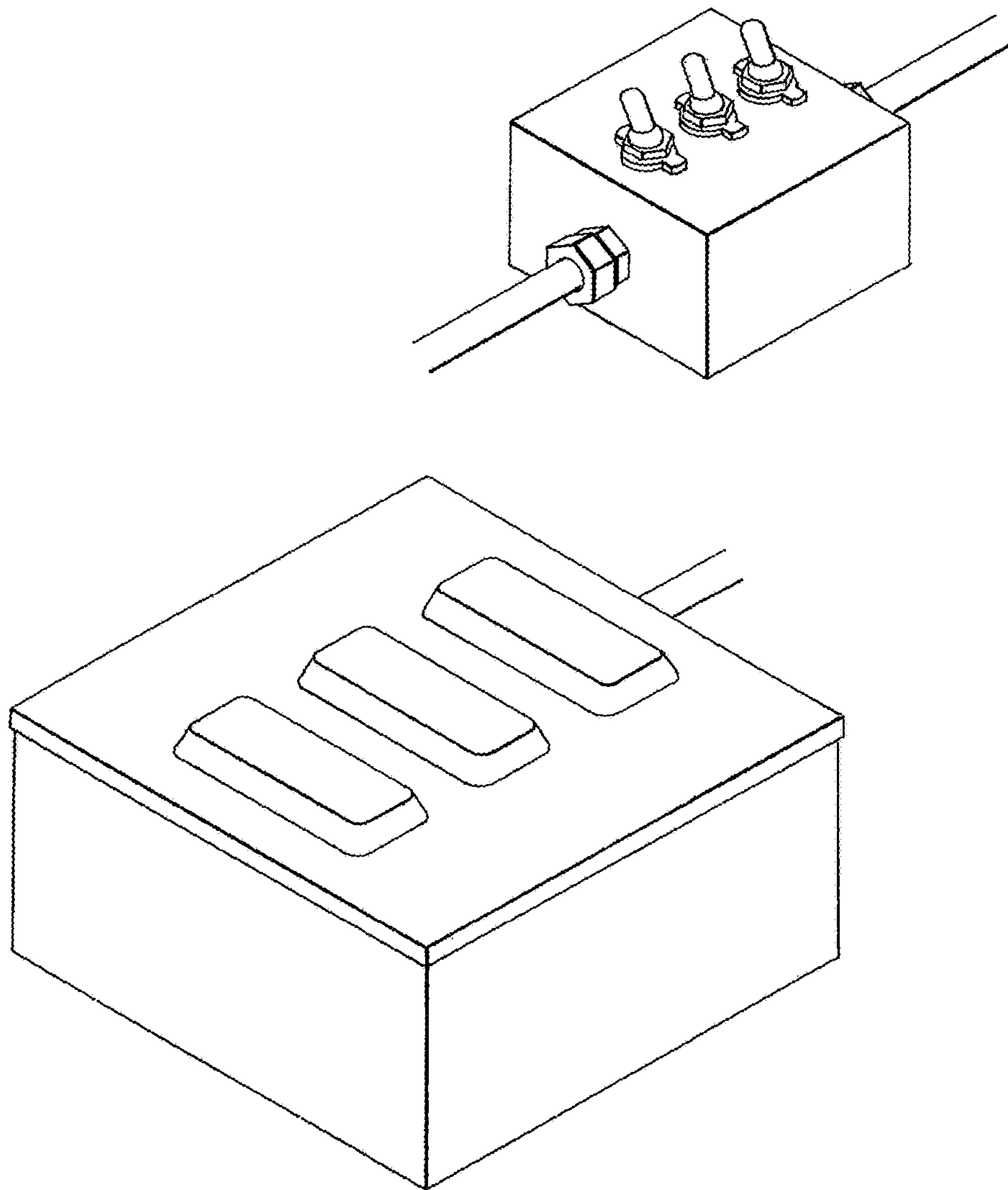


FIG. 1

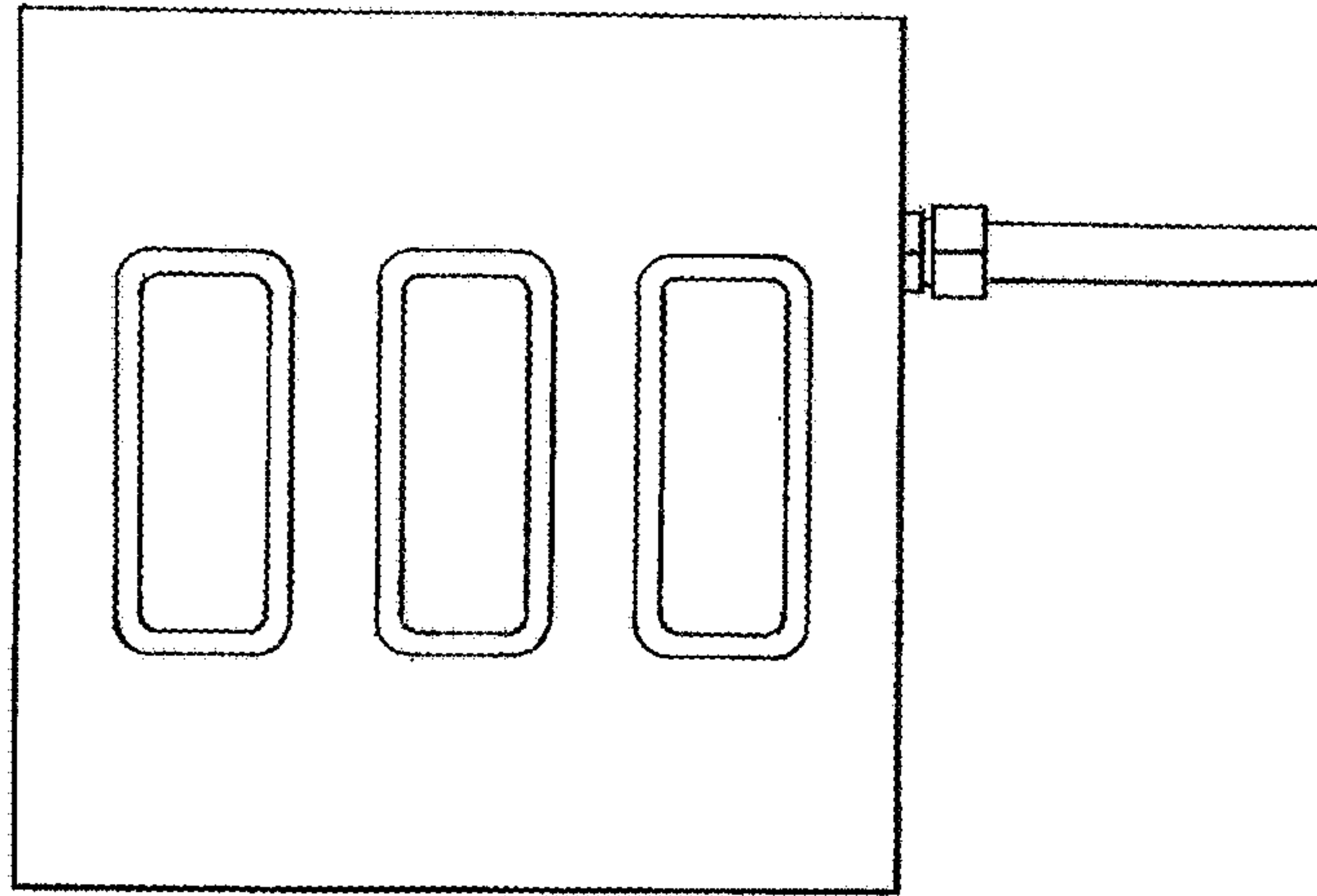


FIG. 2

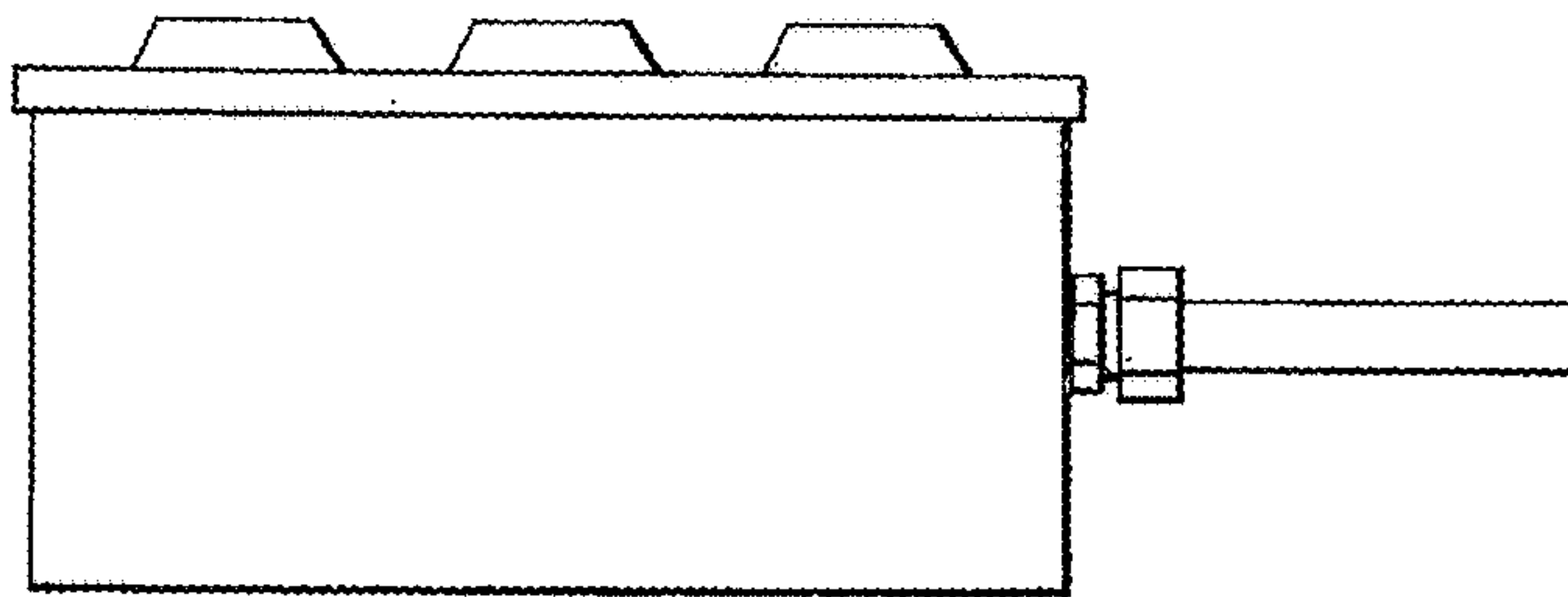


FIG. 3

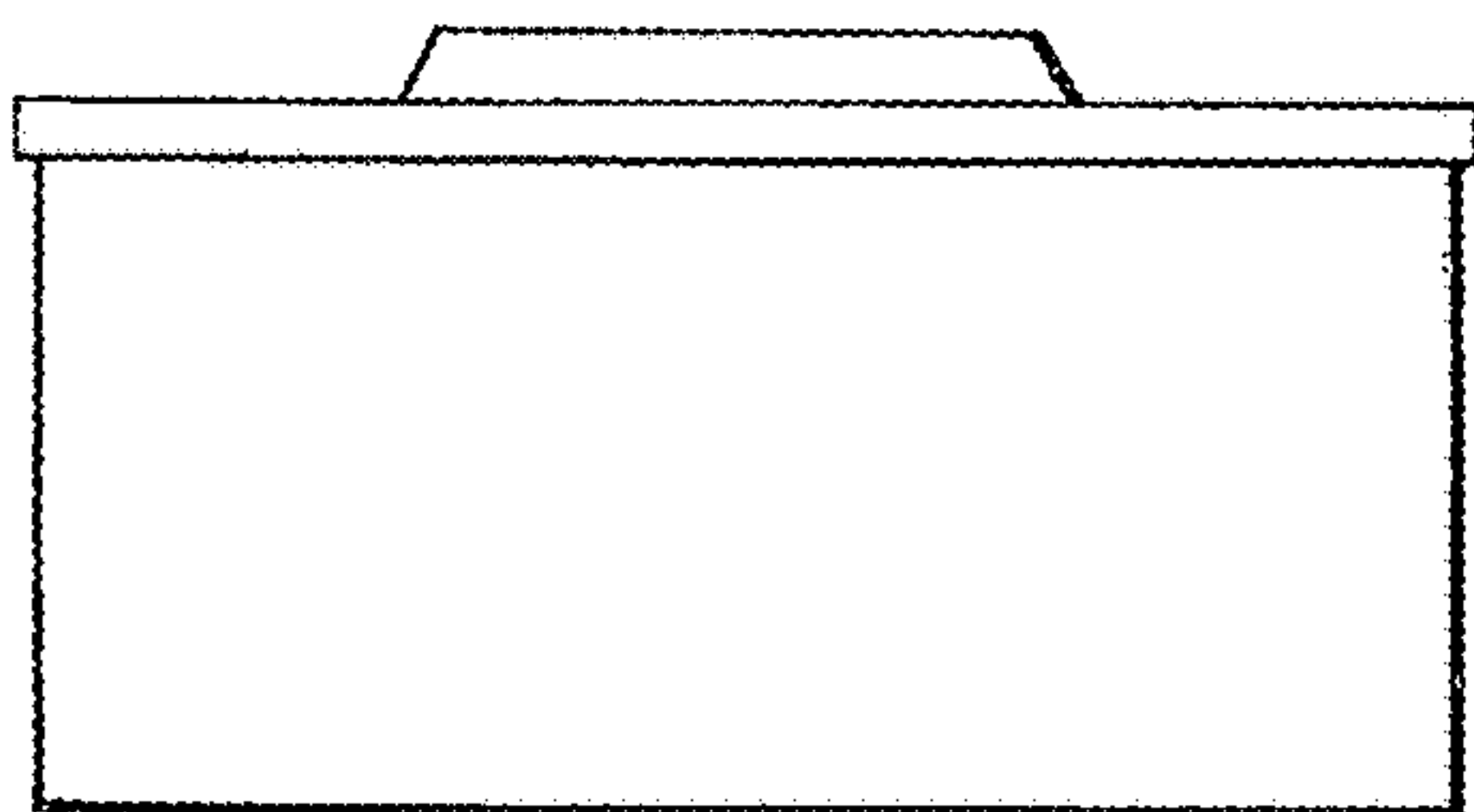


FIG. 4

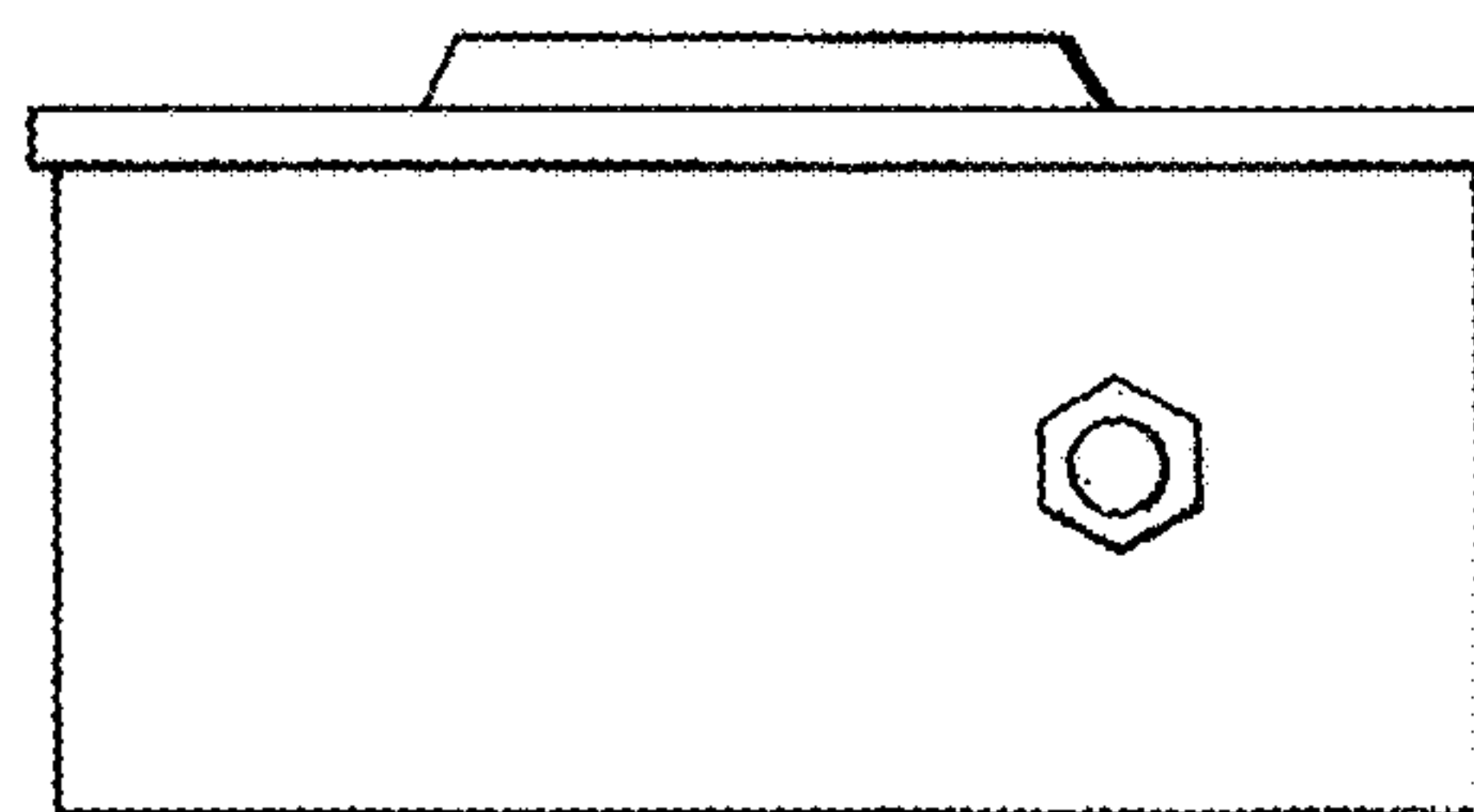


FIG. 5

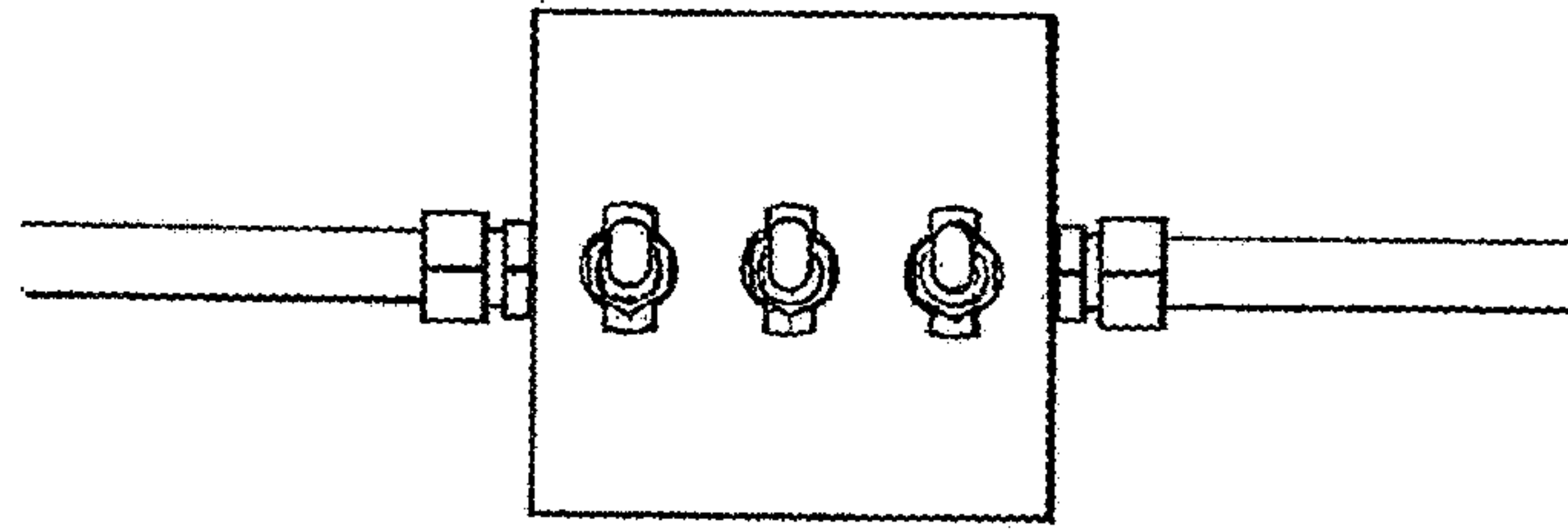


FIG. 6

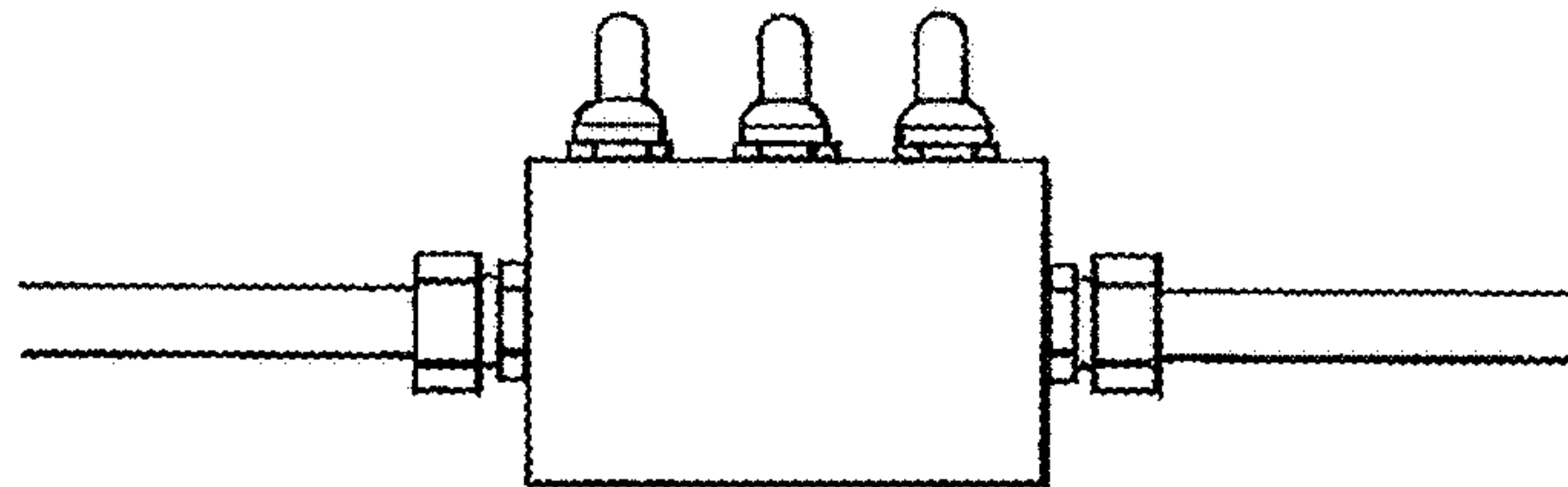


FIG. 7

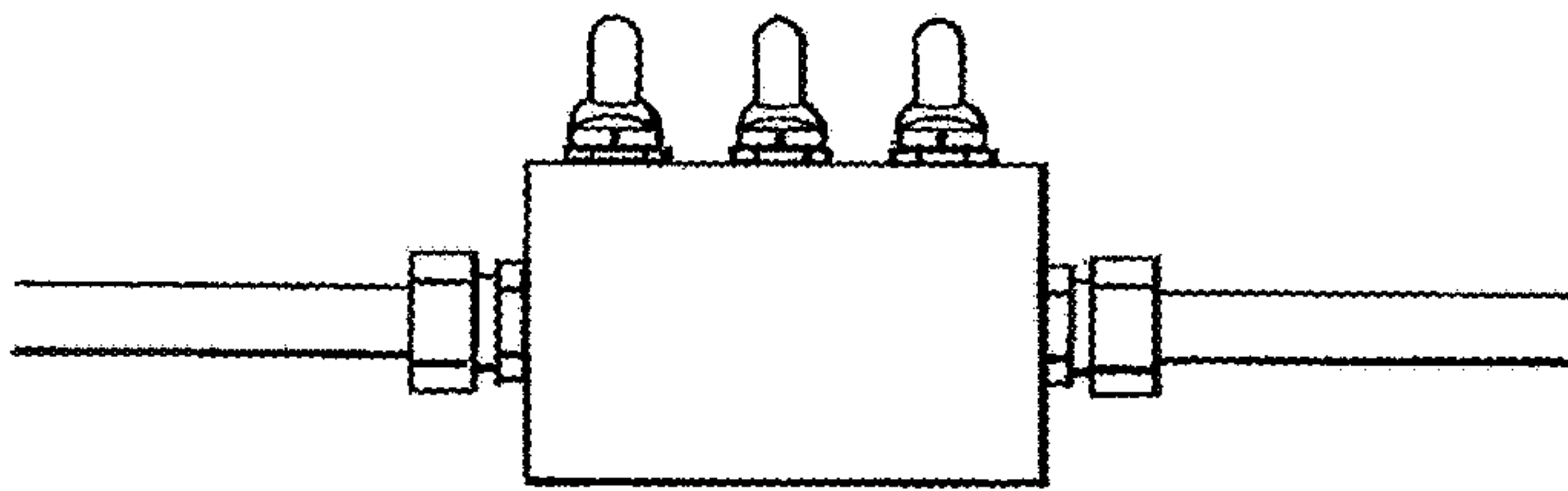


FIG. 8

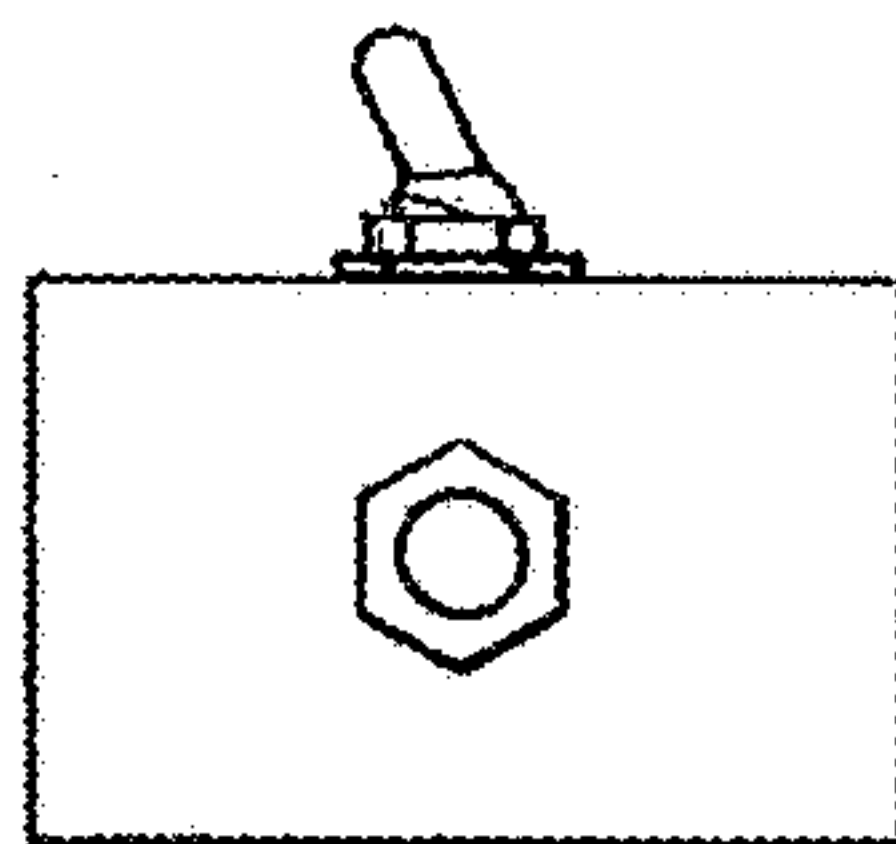


FIG. 9