



US00D842815S

(12) **United States Design Patent**  
**Senofsky et al.**

(10) **Patent No.:** **US D842,815 S**  
(45) **Date of Patent:** **\*\* Mar. 12, 2019**

(54) **ELECTRICAL CONNECTOR SYSTEM**

(71) Applicant: **LED Inspirations, LLC**, Cypress, TX (US)

(72) Inventors: **Nicholas William Senofsky**, Cypress, TX (US); **Reed Jeffrey Holland**, Tomball, TX (US); **John Tyler Stenz**, Cypress, TX (US); **James Christopher Koonce**, Cypress, TX (US)

(73) Assignee: **LED Inspirations, LLC**, Cypress, TX (US)

(\*\*) Term: **15 Years**

(21) Appl. No.: **29/659,924**

(22) Filed: **Aug. 14, 2018**

**Related U.S. Application Data**

(62) Division of application No. 29/562,246, filed on Apr. 24, 2016, now Pat. No. Des. 828,814.

(51) **LOC (11) Cl.** ..... **13-03**

(52) **U.S. Cl.**  
USPC ..... **D13/147**

(58) **Field of Classification Search**  
USPC ..... D13/123, 133, 146, 147, 154, 184, 199  
(Continued)

(56) **References Cited**

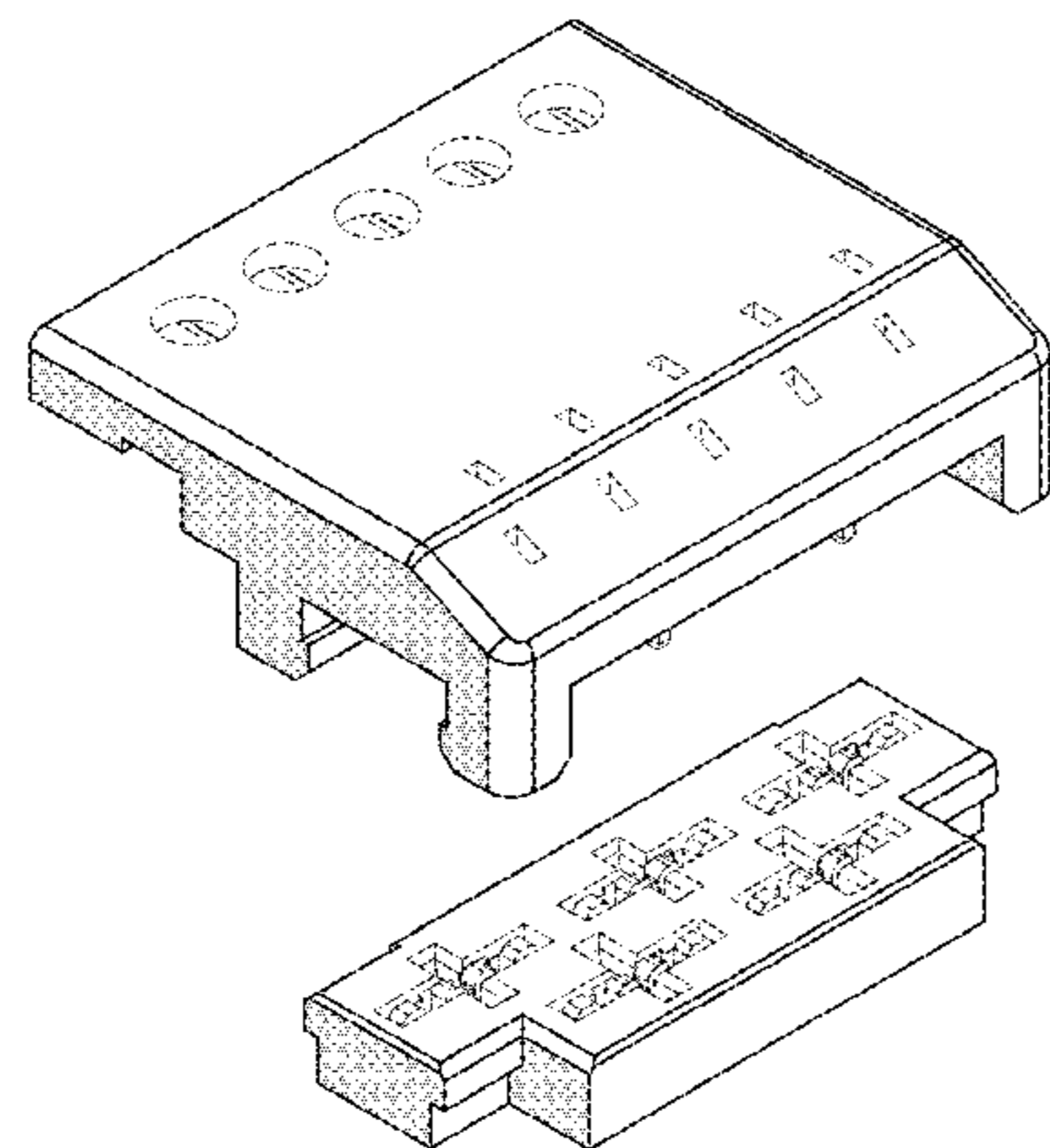
**U.S. PATENT DOCUMENTS**

7,841,872 B2 11/2010 Zhang et al.  
9,531,121 B1 \* 12/2016 Senofsky ..... H01R 12/716  
D828,814 S \* 9/2018 Senofsky ..... D13/147

**OTHER PUBLICATIONS**

International Search Report of the International Searching Authority (USPTO) for international application PCT/US2016/029091 dated Jul. 26, 2016.

(Continued)



*Primary Examiner* — Daniel D Bui

(74) *Attorney, Agent, or Firm* — Basil M. Angelo; Angelo Mikeska PLLC

(57) **CLAIM**

The ornamental design for an electrical connector system, as shown and described.

**DESCRIPTION**

FIG. 1 is a top and left side perspective view of an electrical connector system, which consists of a connector and a header in a disconnected state, showing our new design; FIG. 2 is a top and left side perspective view thereof, in a connected state;

FIG. 3 is a top and left side perspective view of the connector of the electrical connector system thereof;

FIG. 4 is a bottom perspective view thereof;

FIG. 5 is a top plan view thereof;

FIG. 6 is a bottom plan view thereof;

FIG. 7 is a front elevation view thereof;

FIG. 8 is a rear elevation view thereof;

FIG. 9 is a right side elevation view thereof;

FIG. 10 is a left side elevation view thereof;

FIG. 11 is a top and left side perspective view of the header of the electrical connector system thereof;

FIG. 12 is a bottom perspective view thereof;

FIG. 13 is a top plan view thereof;

FIG. 14 is a bottom plan view thereof;

FIG. 15 is a front elevation view thereof;

FIG. 16 is a rear elevation view thereof;

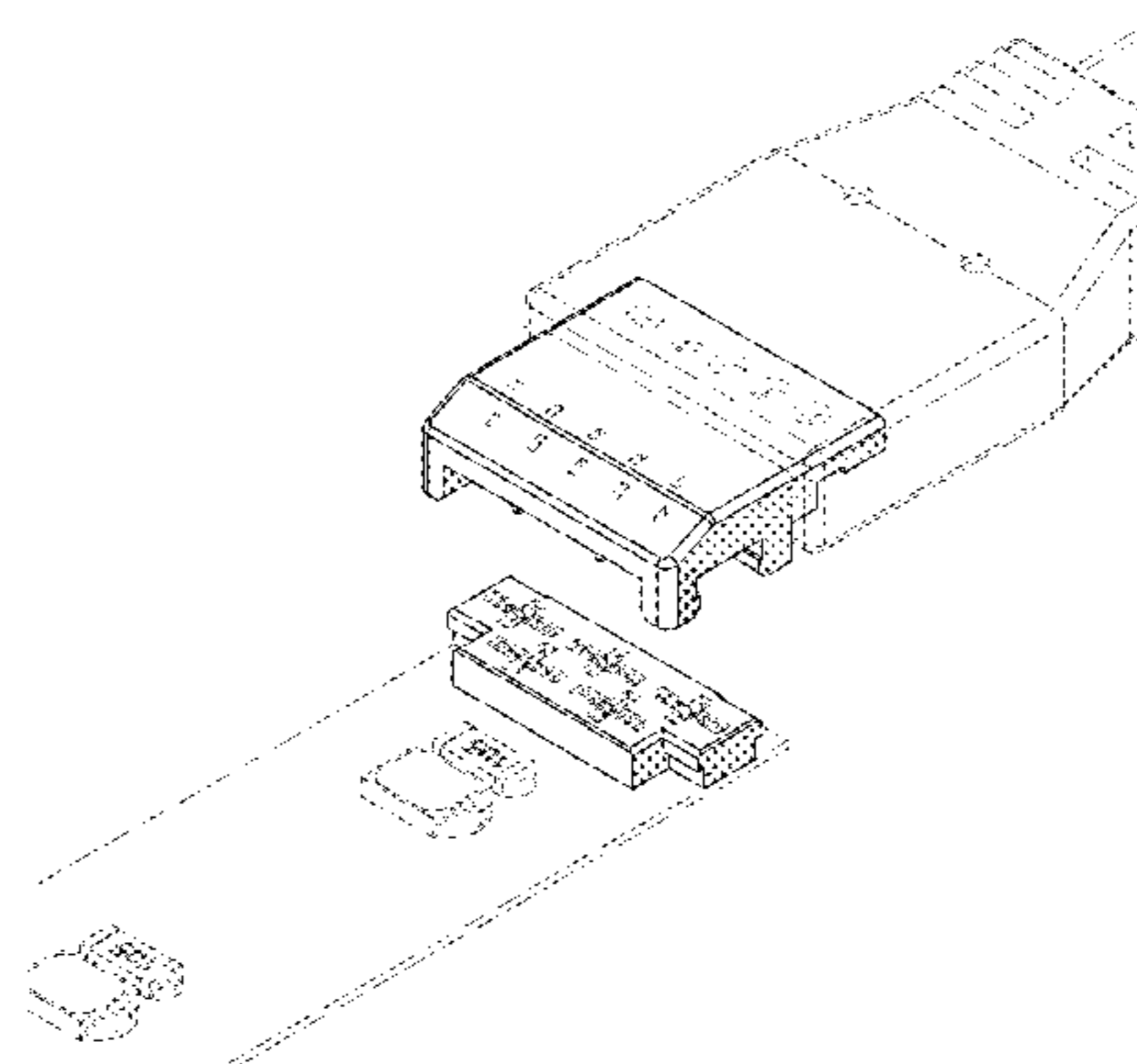
FIG. 17 is a right side elevation thereof;

FIG. 18 is a left side elevation view thereof;

FIG. 19 is a top and right side perspective view of an electrical connector system, which consists of a connector and a header in a disconnected state and in use condition; and,

FIG. 20 is a top and right side perspective view of an electrical connector system, which consists of a connector and a header in a connected state and in use condition.

(Continued)



The broken lines in the figures show portions of the electrical connector system, or environmental structure, which form no part of the claimed design.

**1 Claim, 16 Drawing Sheets**

(58) **Field of Classification Search**

CPC ..... H01R 12/24; H01R 12/71; H01R 13/04;  
H01R 13/10; H01R 13/502; H01R  
13/514; H01R 23/7068; H01R 23/7073  
See application file for complete search history.

(56) **References Cited**

OTHER PUBLICATIONS

Written Opinion of the International Searching Authority (USPTO)  
for international application PCT/US2016/029091 dated Jul. 26,  
2016.

\* cited by examiner

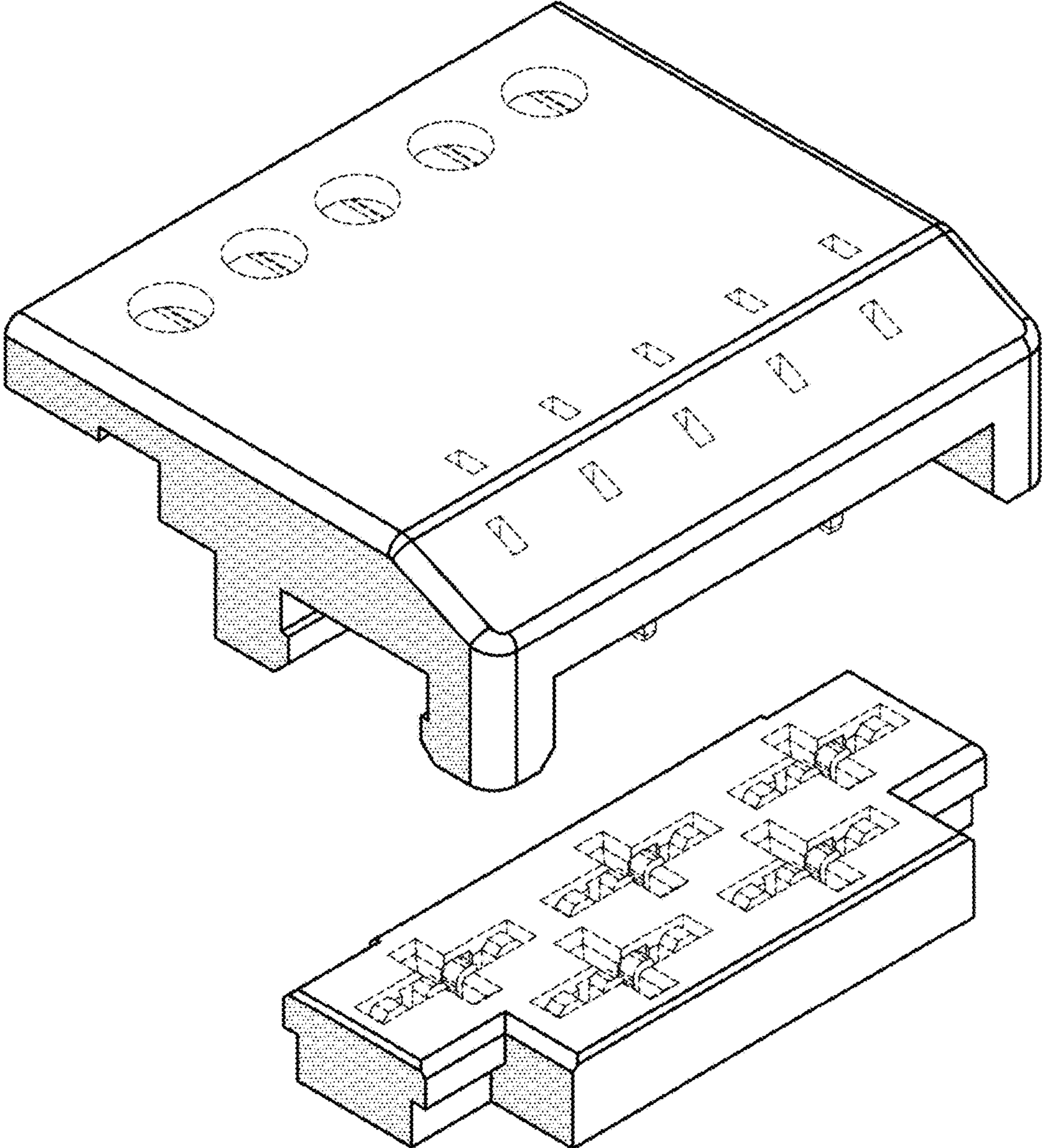


FIG. 1

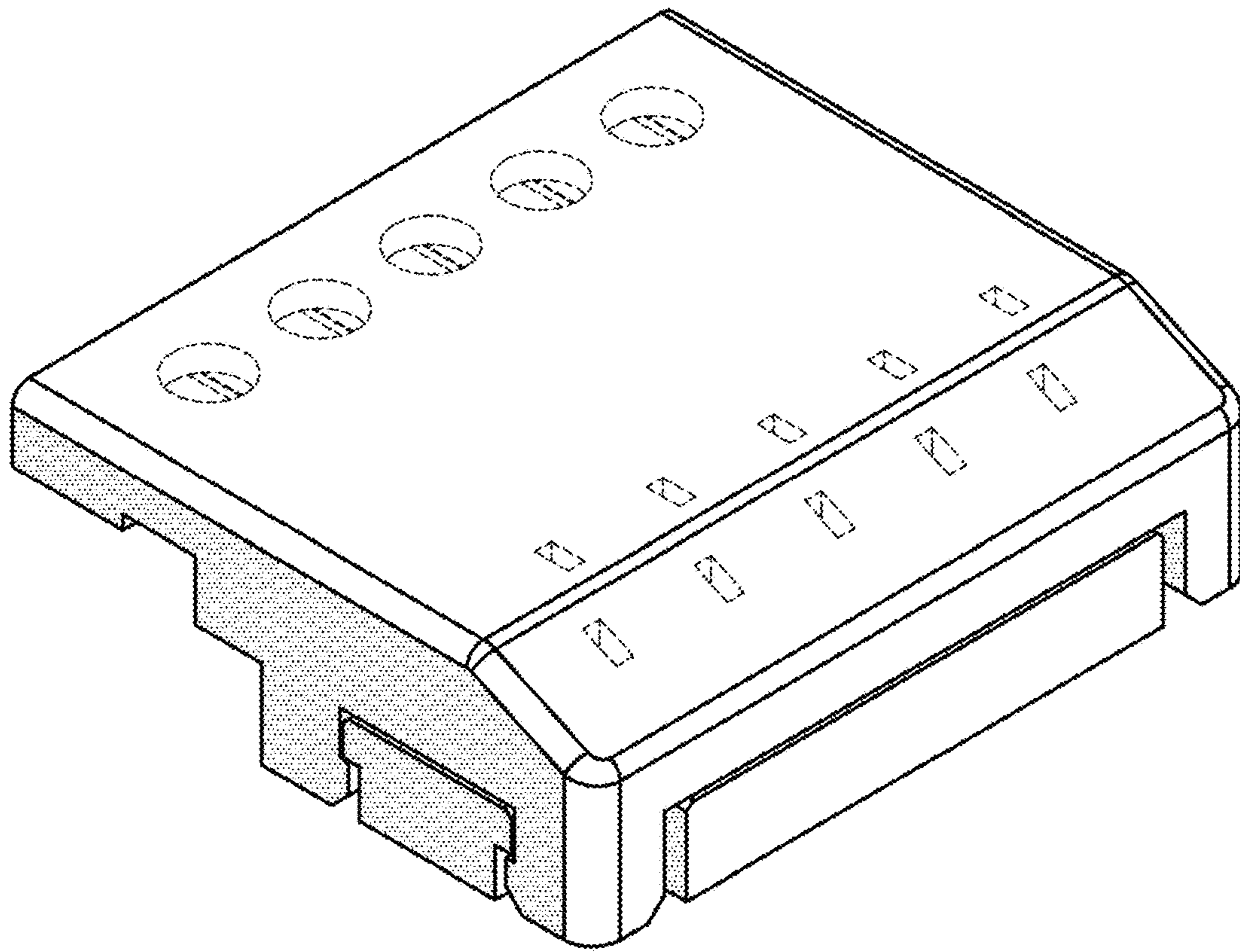


FIG. 2

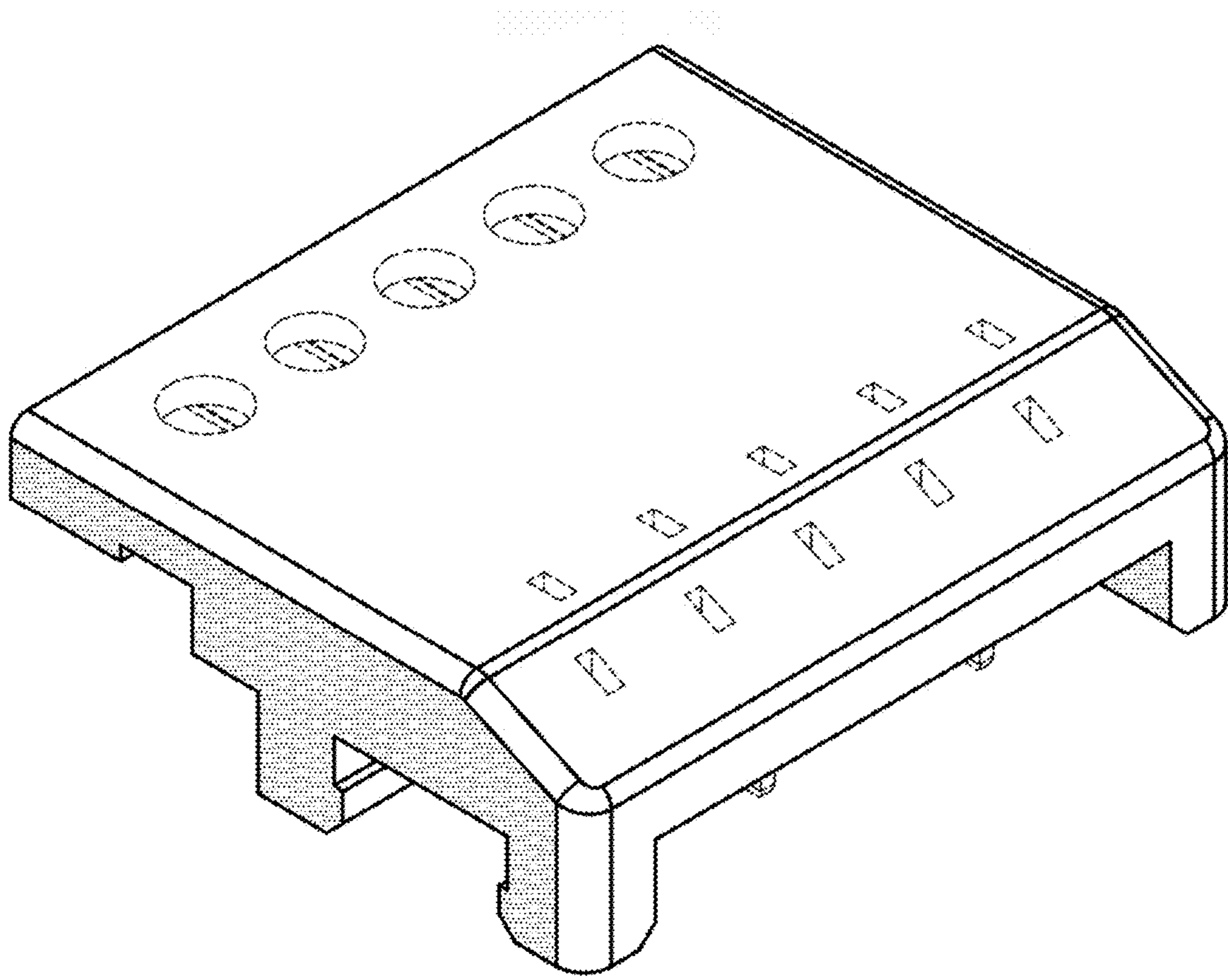


FIG. 3

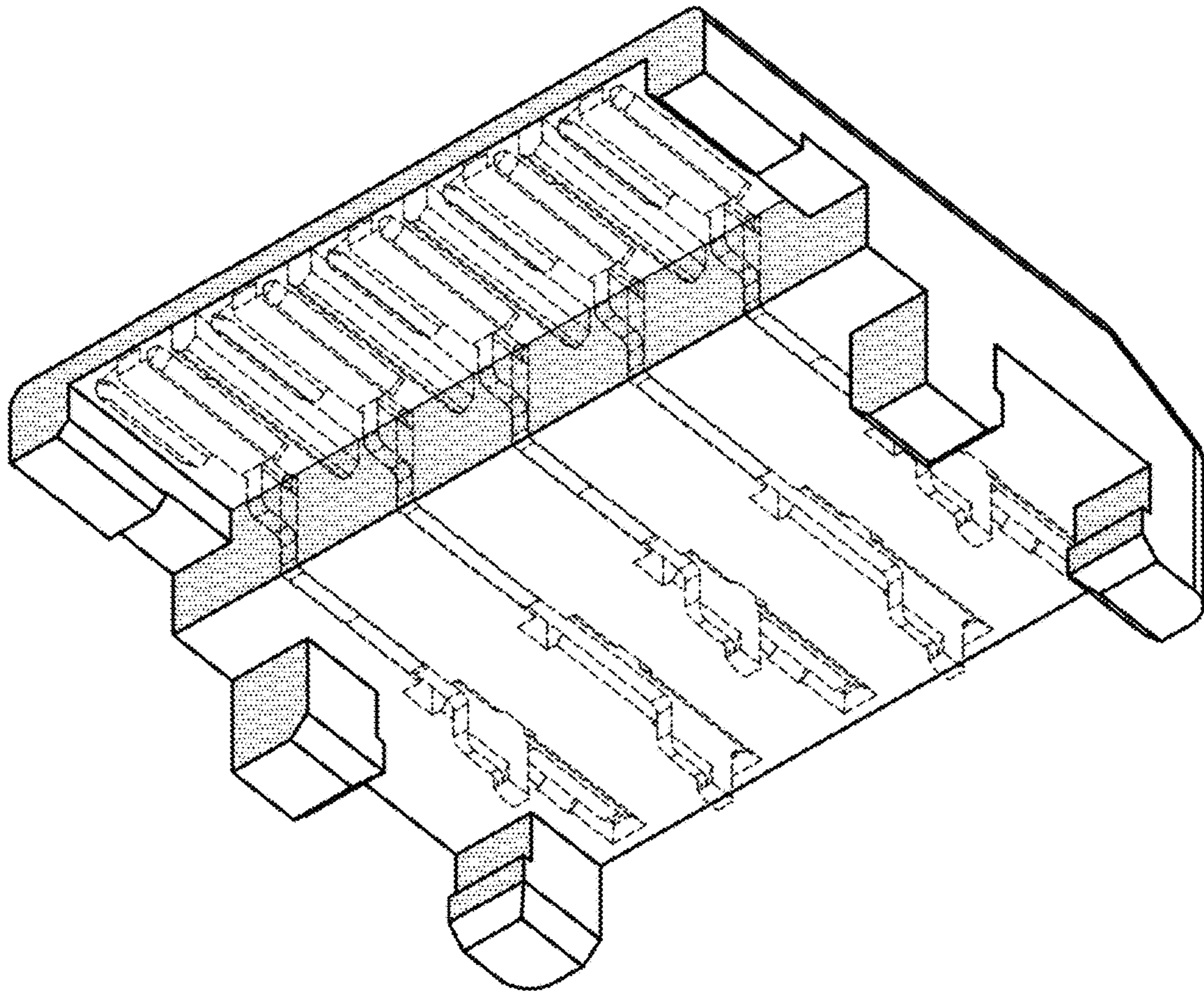


FIG. 4

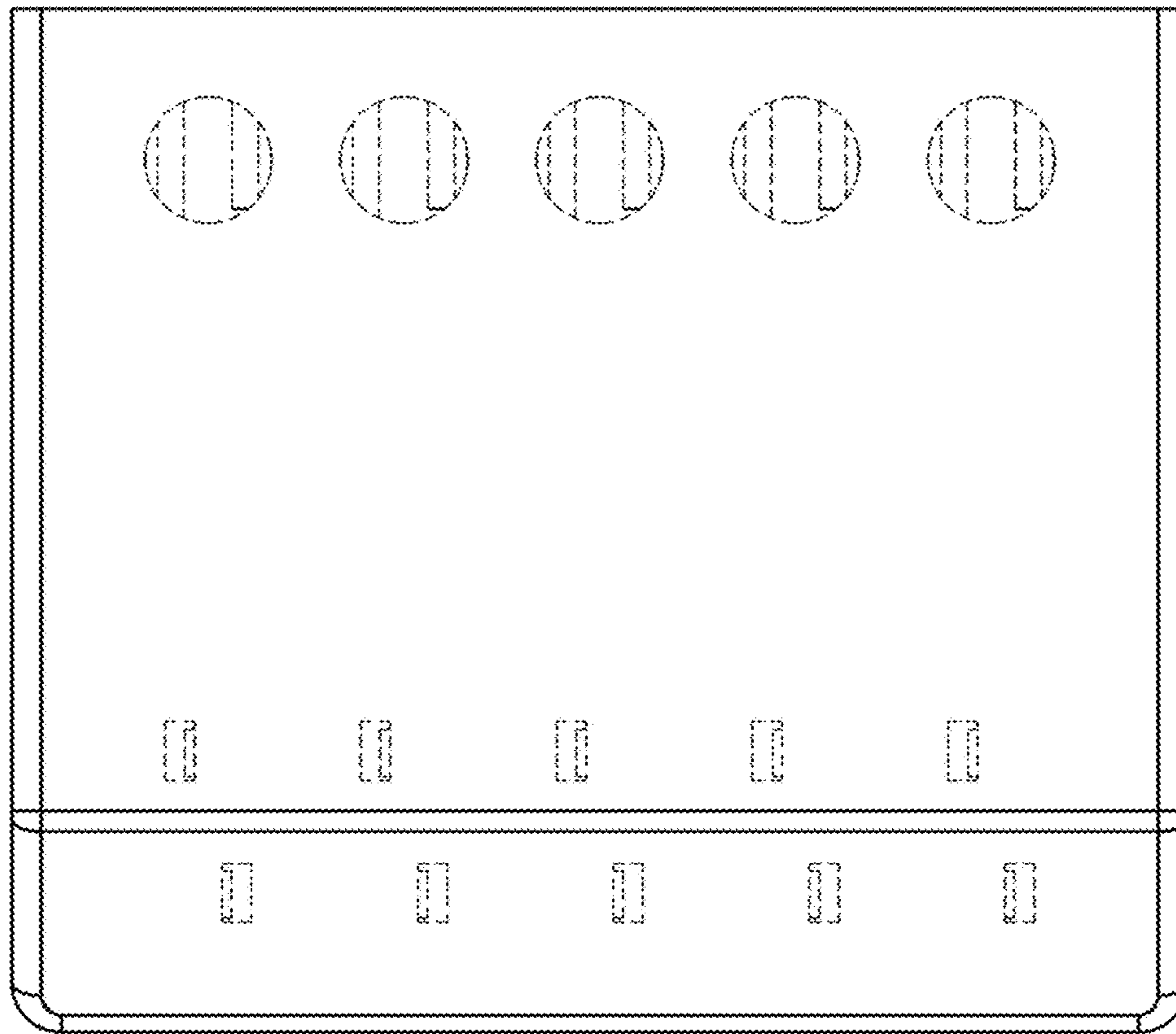


FIG. 5

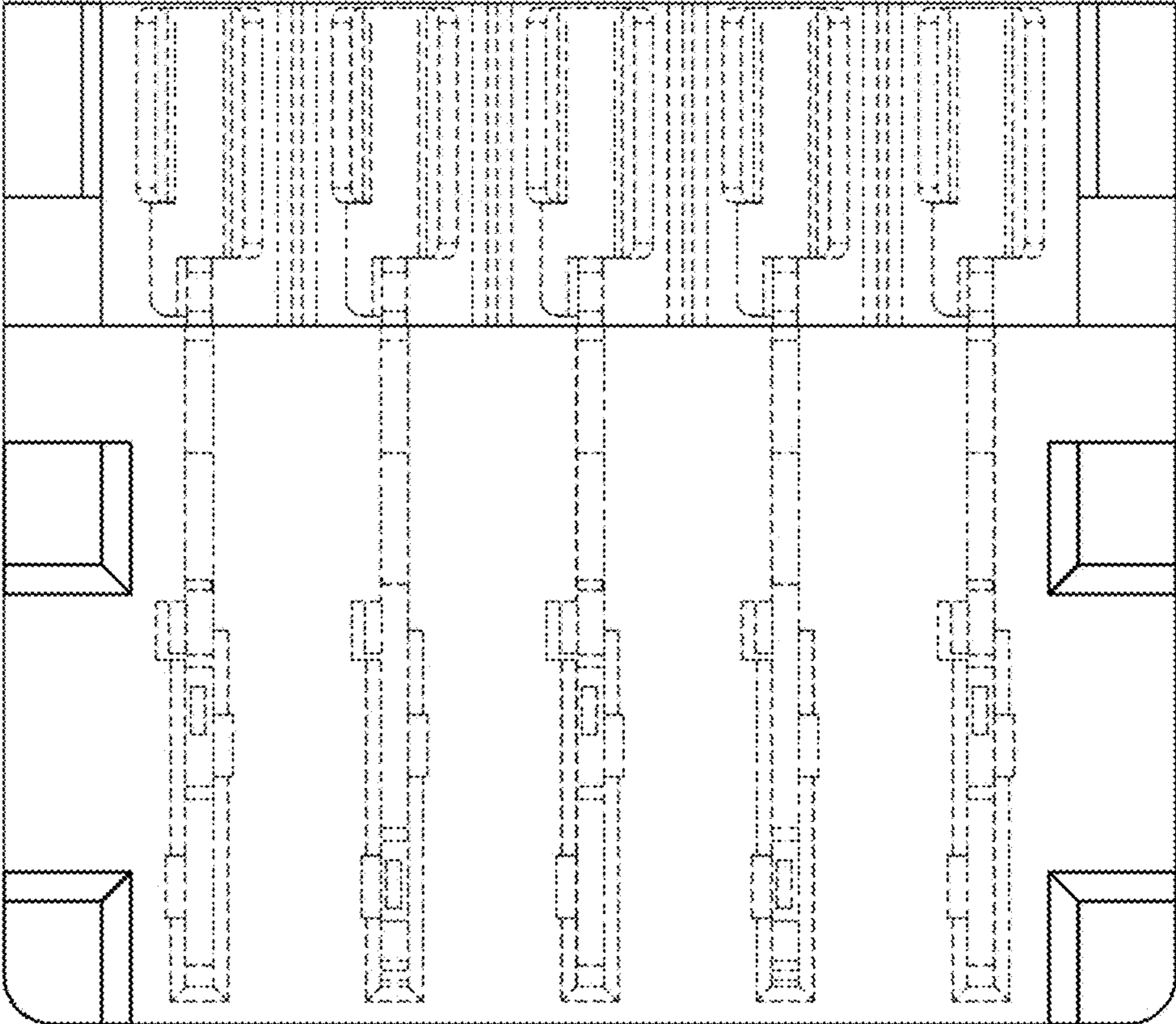


FIG. 6



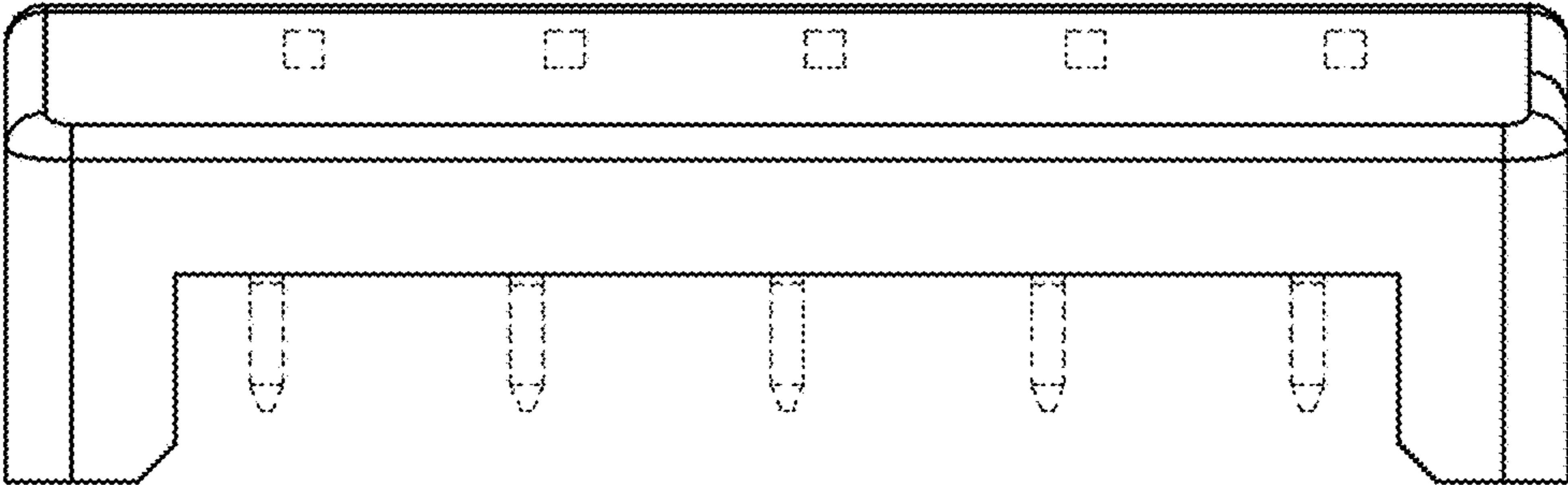


FIG. 7

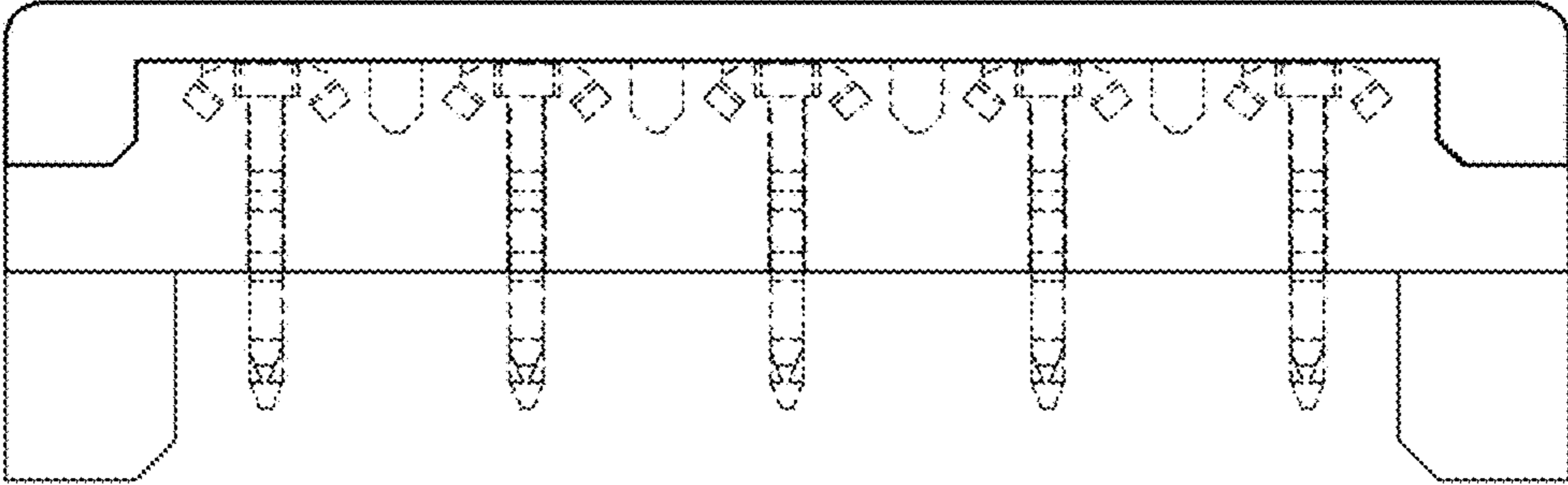


FIG. 8

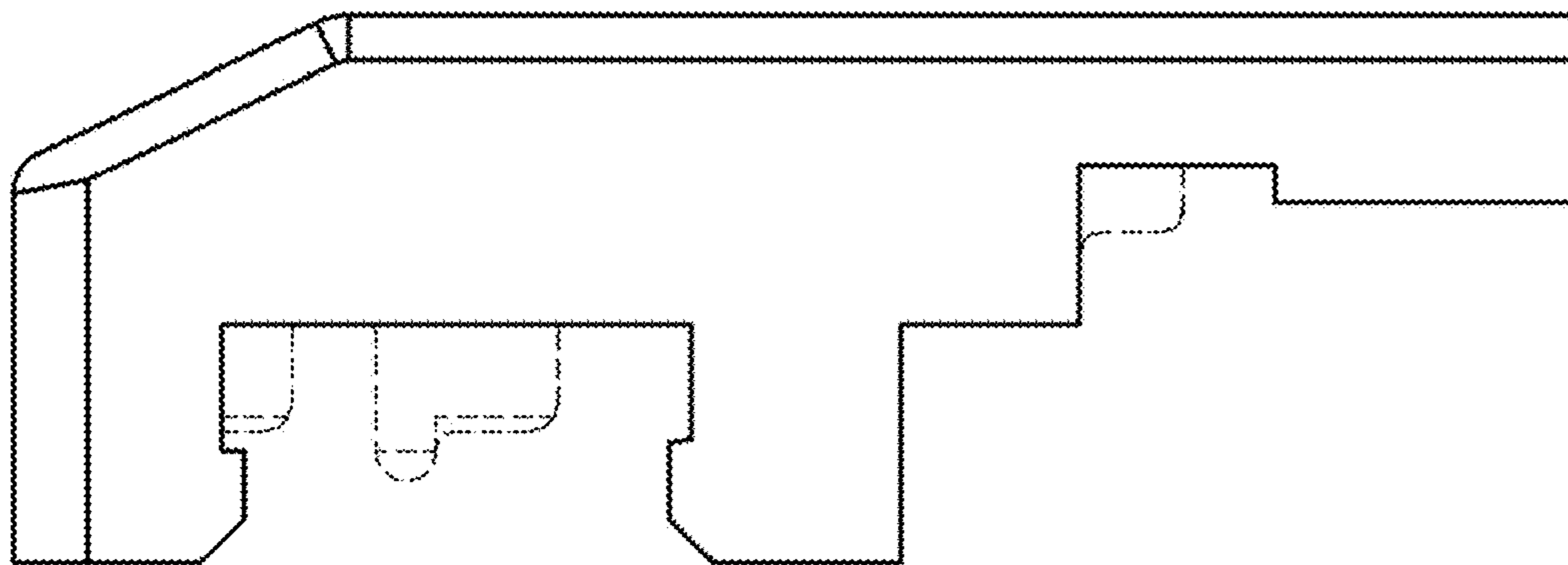


FIG. 9

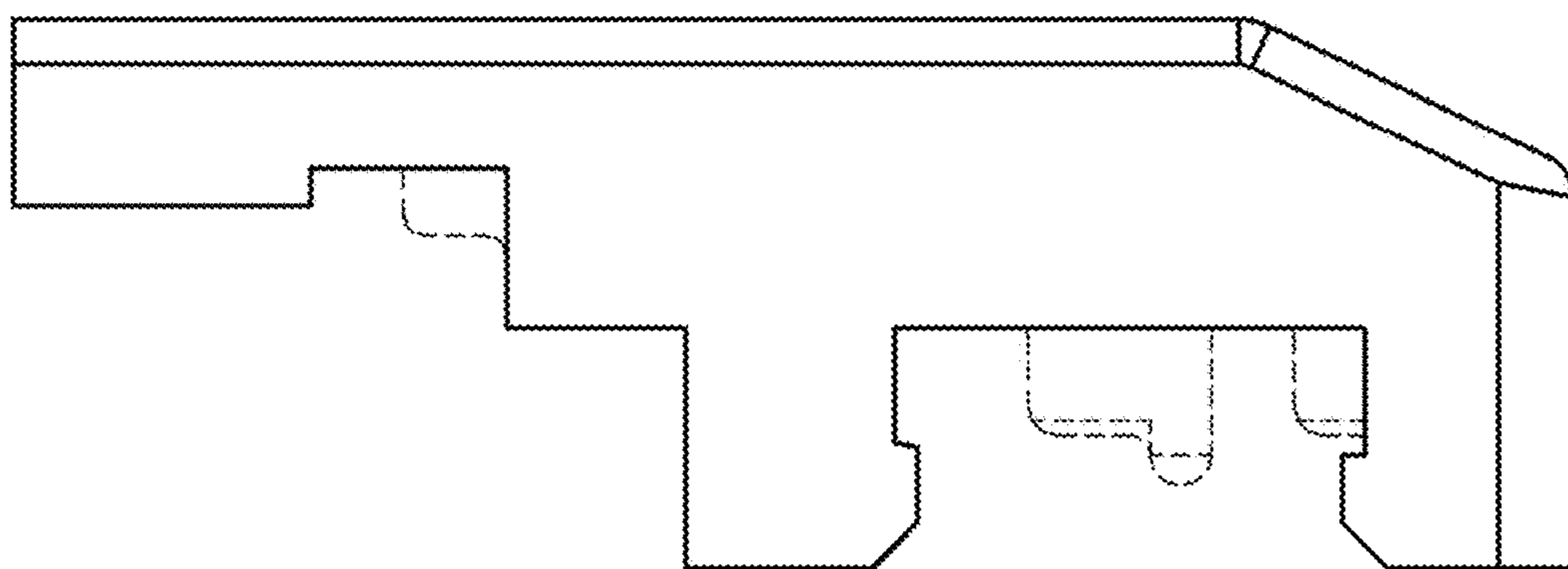


FIG. 10

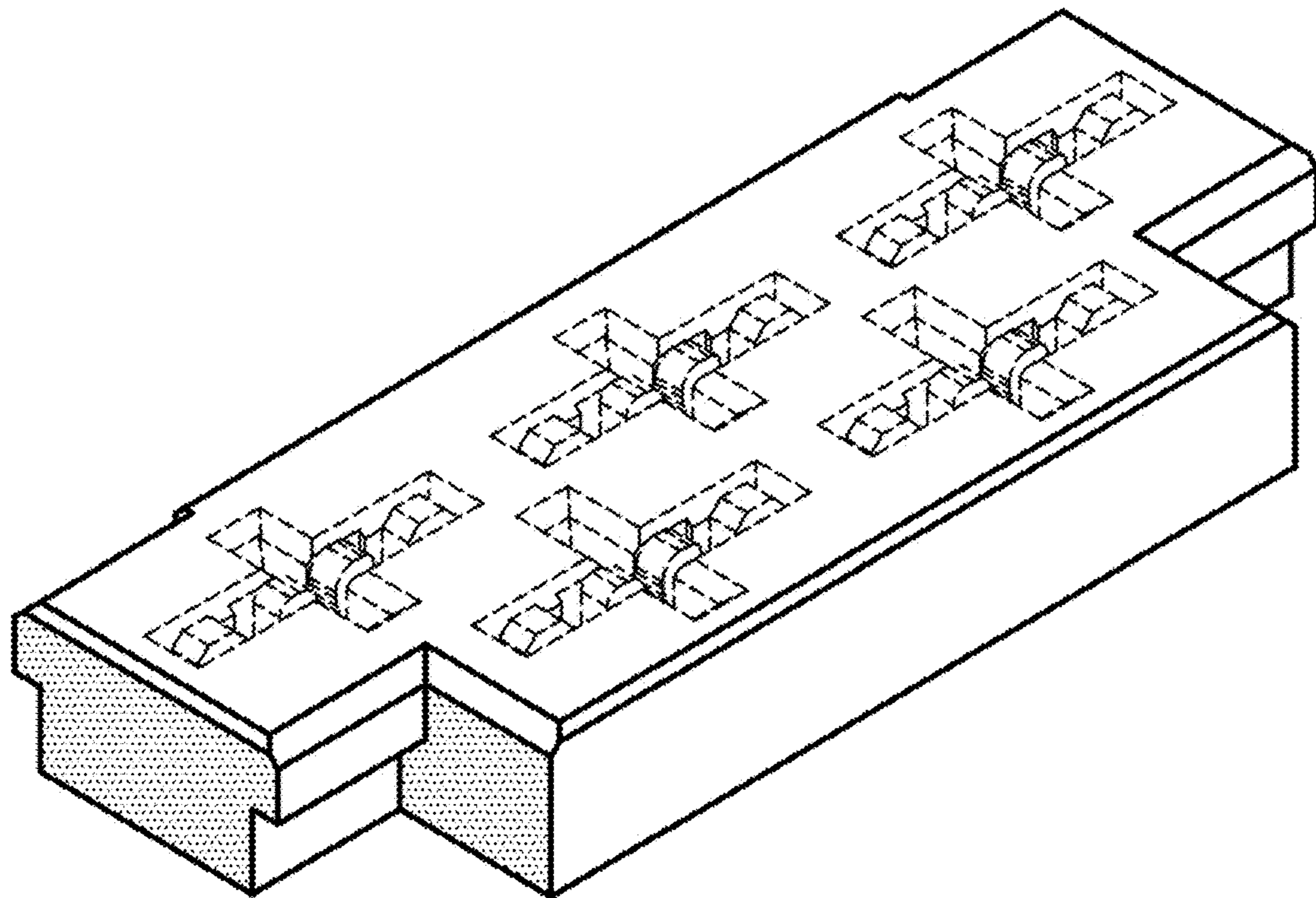


FIG. 11

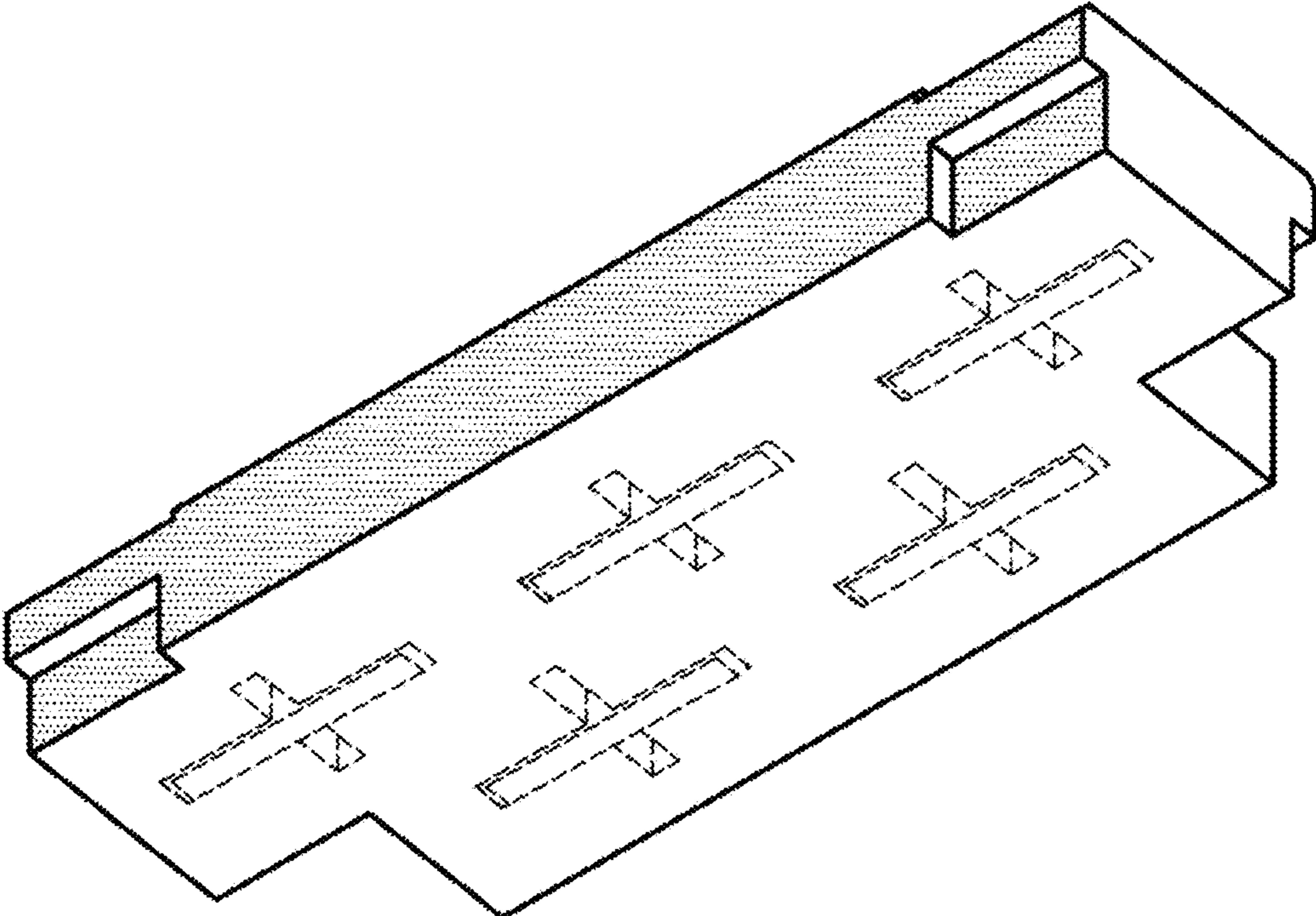


FIG. 12

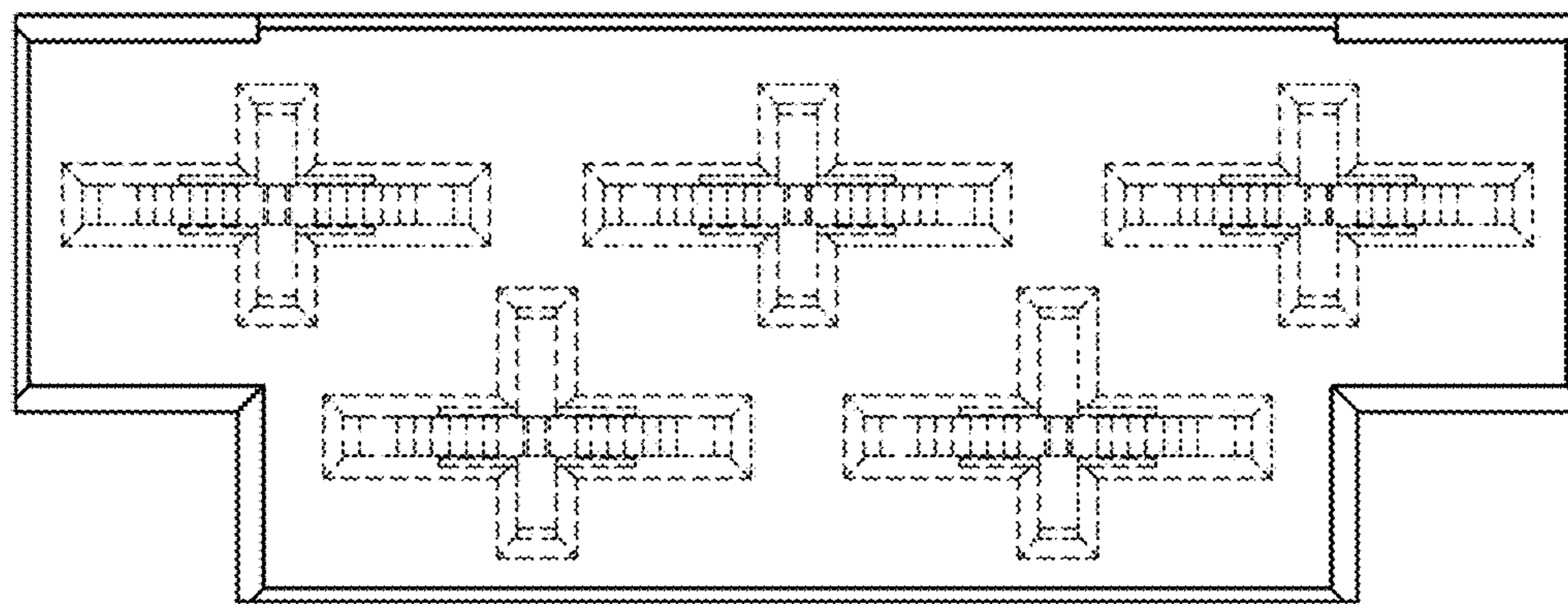


FIG. 13

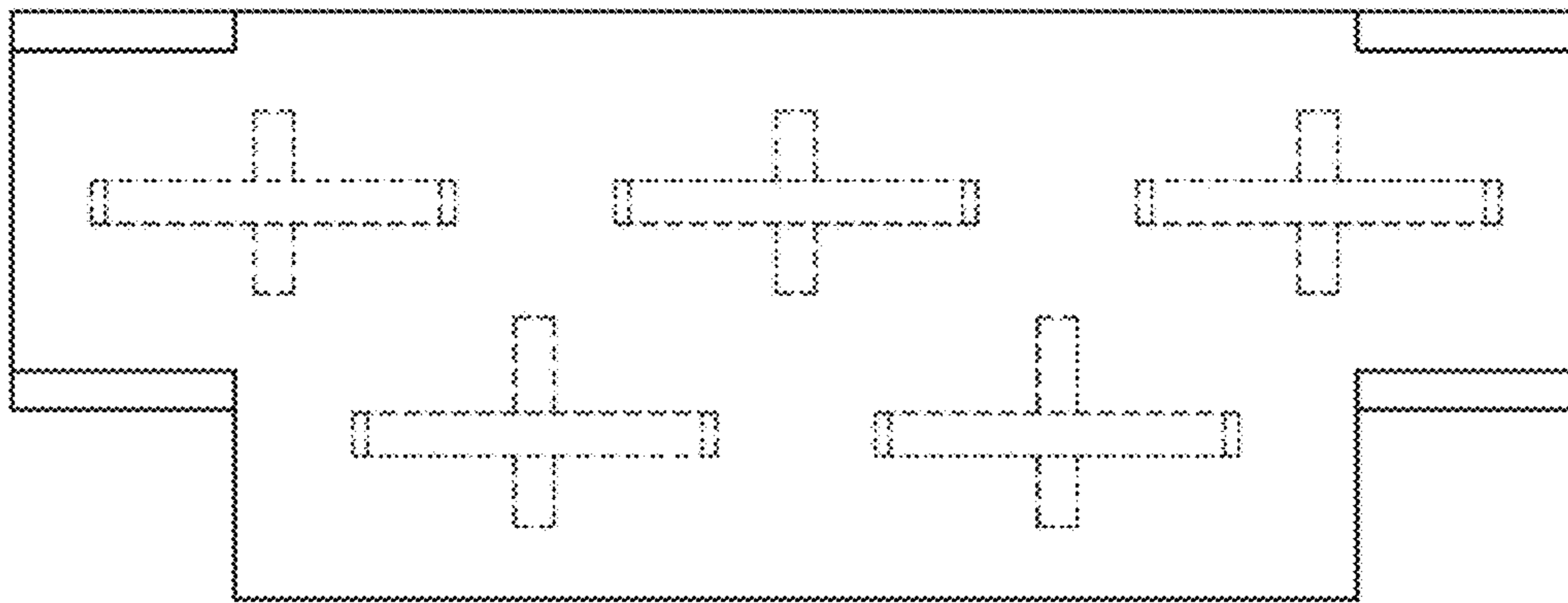


FIG. 14



**FIG. 15**



**FIG. 16**

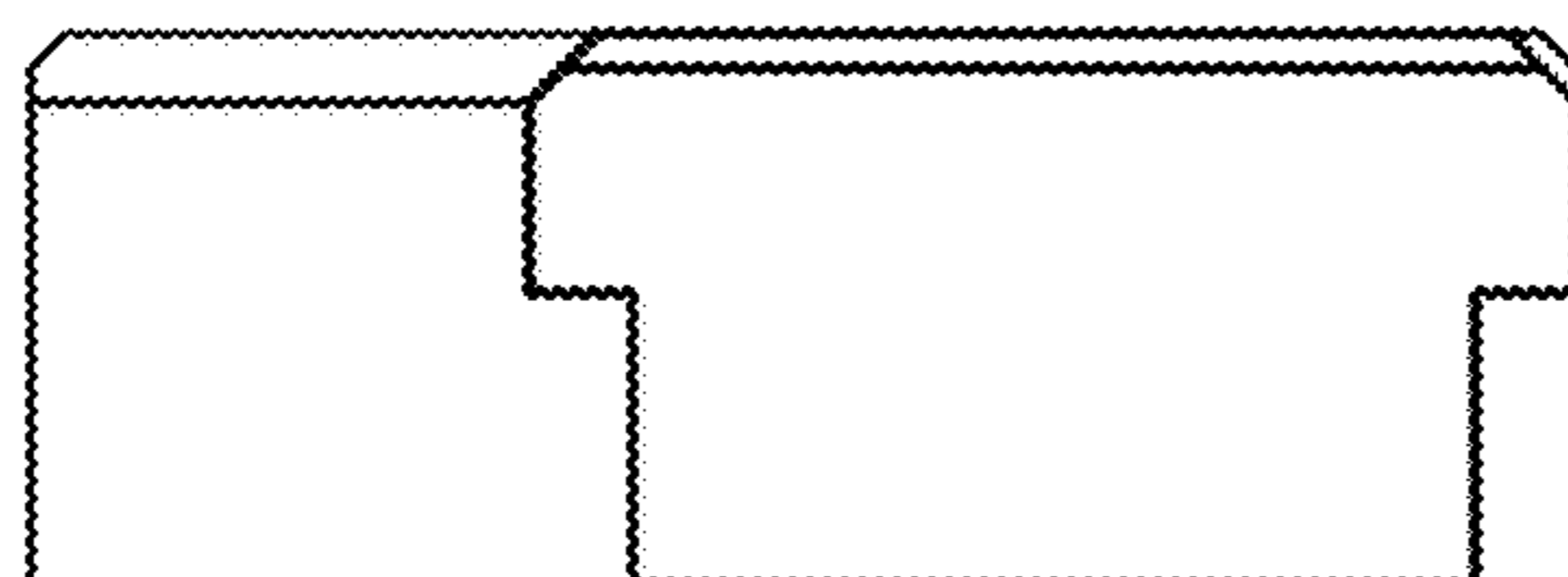


FIG. 17

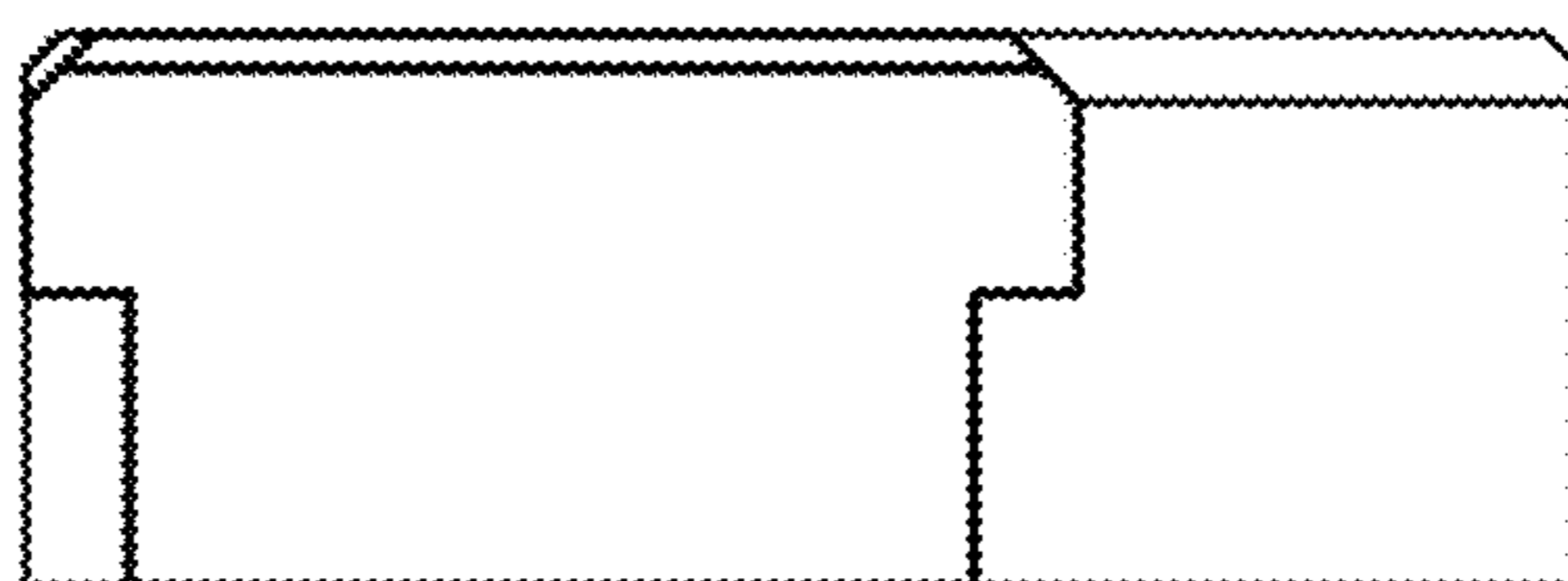


FIG. 18



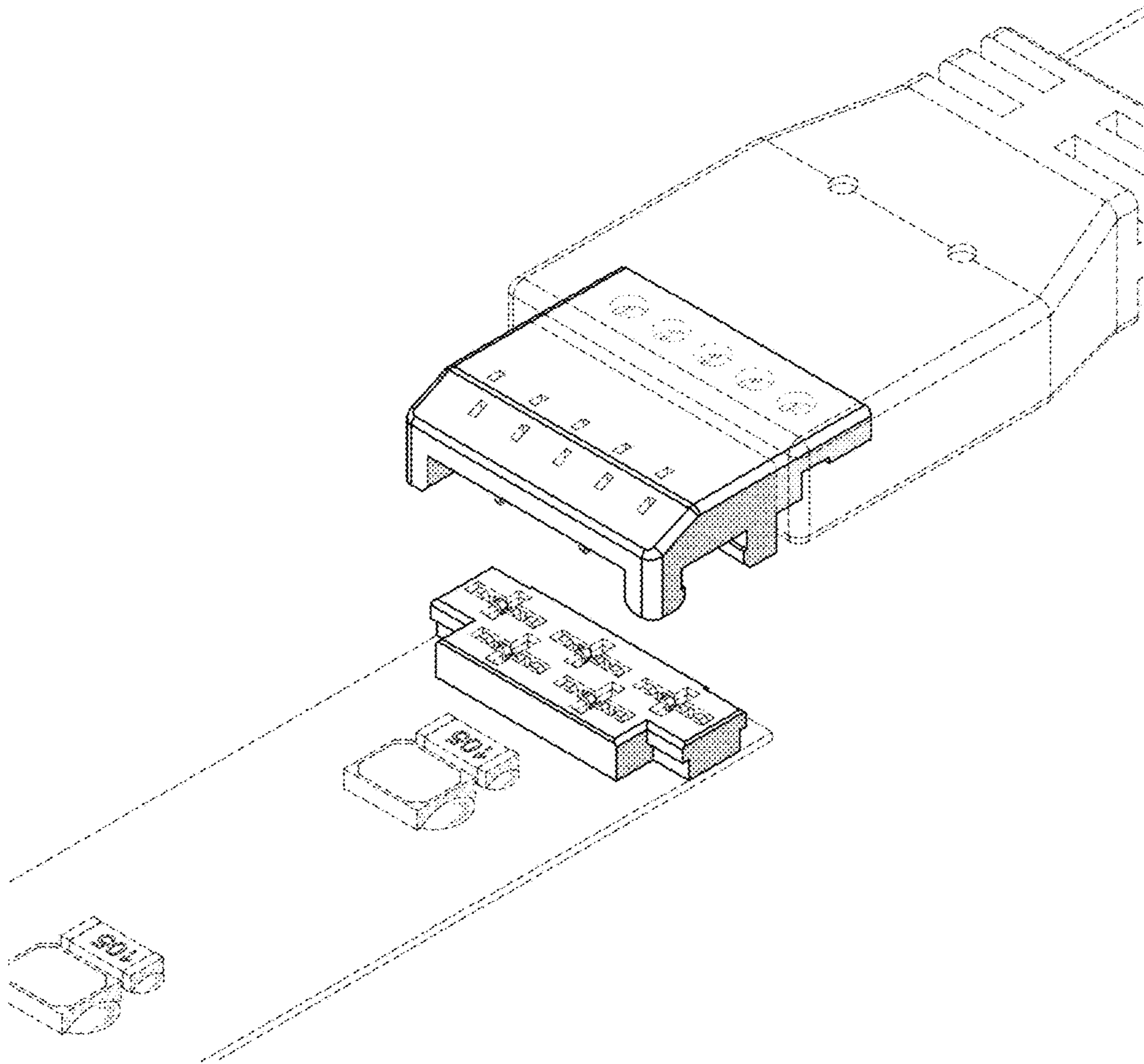


FIG. 19

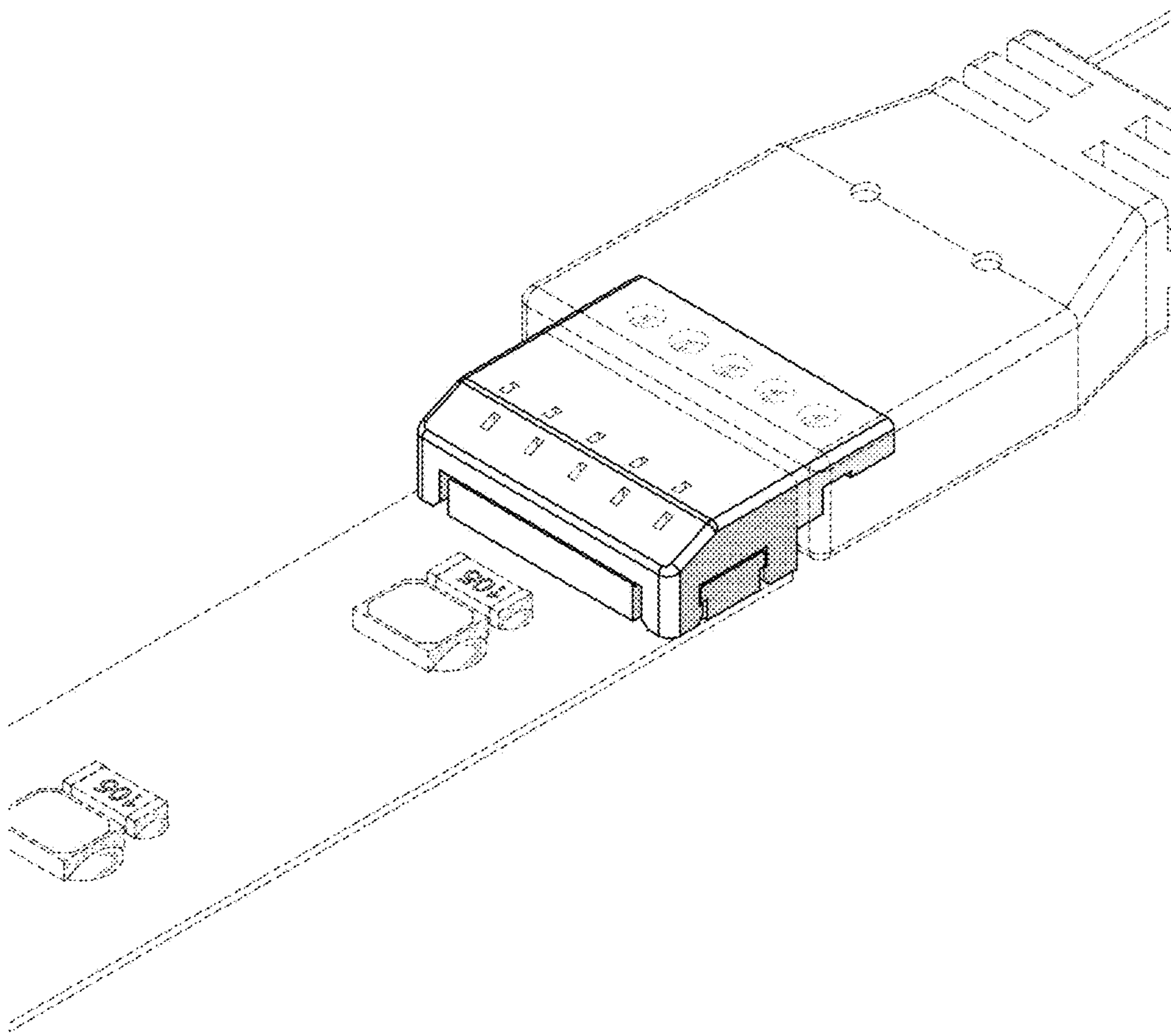


FIG. 20