



US00D842813S

(12) **United States Design Patent**
Yayoshi

(10) **Patent No.:** **US D842,813 S**
(45) **Date of Patent:** **** Mar. 12, 2019**

(54) **ELECTRICAL CONNECTOR**

OTHER PUBLICATIONS

(71) Applicant: **DAI-ICHI SEIKO CO., LTD.**,
Kyoto-shi (JP)

U.S. Office Action for U.S. Appl. No. 29/595,823, dated Mar. 29, 2018, 9pg.

(72) Inventor: **Tadamichi Yayoshi**, Machida (JP)

Primary Examiner — Angela J Lee
Assistant Examiner — Shawn T Gingrich

(73) Assignee: **DAI-ICHI SEIKO CO., LTD.**,
Kyoto-shi (JP)

(74) *Attorney, Agent, or Firm* — Oblon, McClelland,
Maier & Neustadt, L.L.P.

(**) Term: **15 Years**

(57) **CLAIM**

The ornamental design for an electrical connector, as shown and described.

(21) Appl. No.: **29/595,833**

DESCRIPTION

(22) Filed: **Mar. 2, 2017**

FIG. 1 is a front elevational view of an electrical connector; FIG. 2 is a rear elevational view thereof; FIG. 3 is a top plan view thereof; FIG. 4 is a bottom plan view thereof; FIG. 5 is a right side elevational view thereof; FIG. 6 is a left side elevational view thereof; FIG. 7 is a front, top, and left side perspective view thereof; FIG. 8 is an enlarged cross-sectional view along the line 8-8 in FIG. 1; FIG. 9 is an enlarged cross-sectional view along the line 9-9 in FIG. 1; FIG. 10 is an enlarged cross-sectional view along the line 10-10 in FIG. 1; FIG. 11 is an enlarged view showing a portion of FIG. 3 defined by line 11-11; FIG. 12 is an enlarged view showing a portion of FIG. 7 defined by line 12-12; FIG. 13 is an enlarged view showing a portion of FIG. 7 defined by line 13-13; and, FIG. 14 is an enlarged cross-sectional view along the line 14-14 in FIG. 11.

(30) **Foreign Application Priority Data**

Sep. 7, 2016 (JP) 2016-019339

(51) **LOC (11) Cl.** **13-03**

(52) **U.S. Cl.**
USPC **D13/147**

(58) **Field of Classification Search**
USPC D13/118, 120, 123, 133, 146, 147, 149,
D13/154, 173, 184, 199; D14/432, 433,
D14/435, 435.1, 436, 437, 438
CPC H01R 12/00; H01R 12/50; H01R 12/52;
H01R 12/57; H01R 12/62; H01R 12/65;
H01R 12/70; H01R 12/71; H01R 12/73;
H01R 13/02; H01R 13/04; H01R 13/52;
H01R 13/62; H01R 13/627; H01R 13/65;
H01R 24/00; H01R 24/28

See application file for complete search history.

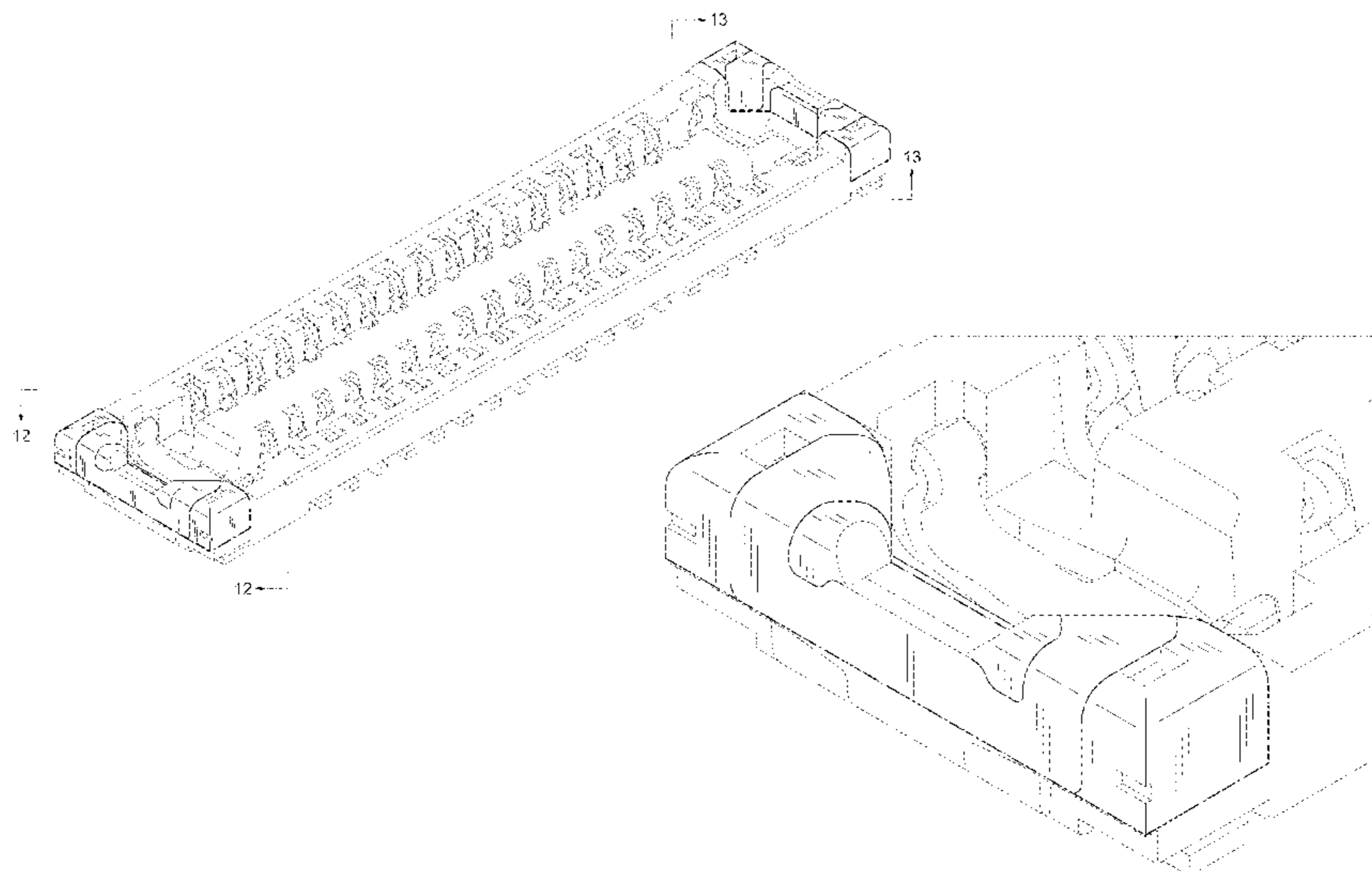
(56) **References Cited**

U.S. PATENT DOCUMENTS

D539,225 S * 3/2007 Kishi D13/147
D540,263 S 4/2007 Kishi

(Continued)

1 Claim, 14 Drawing Sheets



(56)

References Cited

U.S. PATENT DOCUMENTS

| | | | | | | | |
|-------------------|---------|----------|------------------------|-------------------|---------|-----------|------------------------|
| D578,481 S | 10/2008 | Lee | | 2013/0012074 A1 | 1/2013 | Mashiyama | |
| D582,858 S * | 12/2008 | Hoshino | D13/147 | 2013/0137304 A1 * | 5/2013 | Huang | H01R 12/716 439/626 |
| D598,863 S | 8/2009 | Hoshino | | 2013/0137307 A1 * | 5/2013 | Huang | H01R 12/716 439/660 |
| D695,692 S * | 12/2013 | Takenaga | D13/147 | 2013/0137308 A1 * | 5/2013 | Chiang | H01R 12/716 439/660 |
| D720,298 S * | 12/2014 | Takenaga | D13/147 | 2015/0079818 A1 | 3/2015 | Ozeki | |
| D722,974 S * | 2/2015 | Ueda | D13/147 | 2015/0079853 A1 * | 3/2015 | Tsai | H01R 12/716 439/751 |
| D723,471 S * | 3/2015 | Miyazaki | D13/147 | 2015/0140841 A1 | 5/2015 | Watanabe | |
| D735,674 S * | 8/2015 | Miyazaki | D13/147 | 2015/0207248 A1 * | 7/2015 | Takenaga | H01R 12/716 439/74 |
| D739,825 S | 9/2015 | Omodachi | | 2015/0214649 A1 | 7/2015 | Lee | |
| D774,462 S | 12/2016 | Omodachi | | 2015/0270641 A1 | 9/2015 | Omodachi | |
| D795,813 S * | 8/2017 | Goto | D13/147 | 2015/0380845 A1 * | 12/2015 | Goto | H01R 12/73 439/660 |
| D797,677 S * | 9/2017 | Ozeki | D13/147 | 2016/0141783 A1 | 5/2016 | Hirakawa | |
| D811,344 S * | 2/2018 | Ozeki | D13/147 | 2016/0268715 A1 | 9/2016 | Kodaira | |
| 9,887,473 B2 | 2/2018 | Lee | | 2017/0271813 A1 | 9/2017 | Ge | |
| 2006/0264074 A1 * | 11/2006 | Chang | H01R 12/57 439/74 | 2018/0069331 A1 * | 3/2018 | Hirakawa | H01R 12/57 |
| 2008/0268711 A1 * | 10/2008 | Miyazaki | H01R 13/516 439/626 | | | | |
| 2010/0221928 A1 | 9/2010 | Sato | | | | | |

* cited by examiner

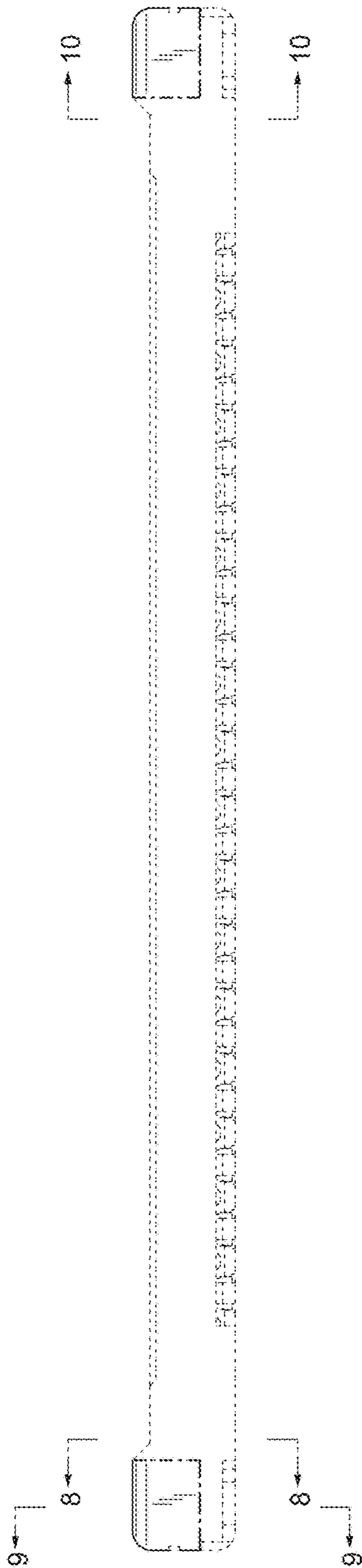


FIG. 1

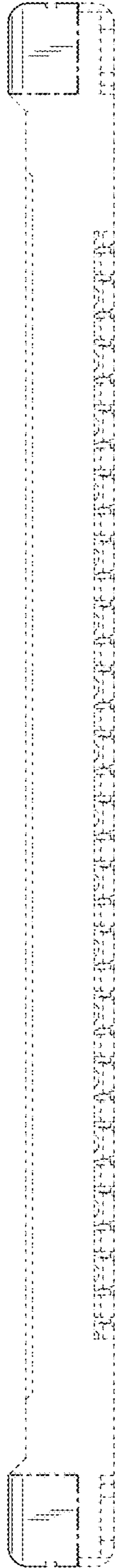


FIG. 2

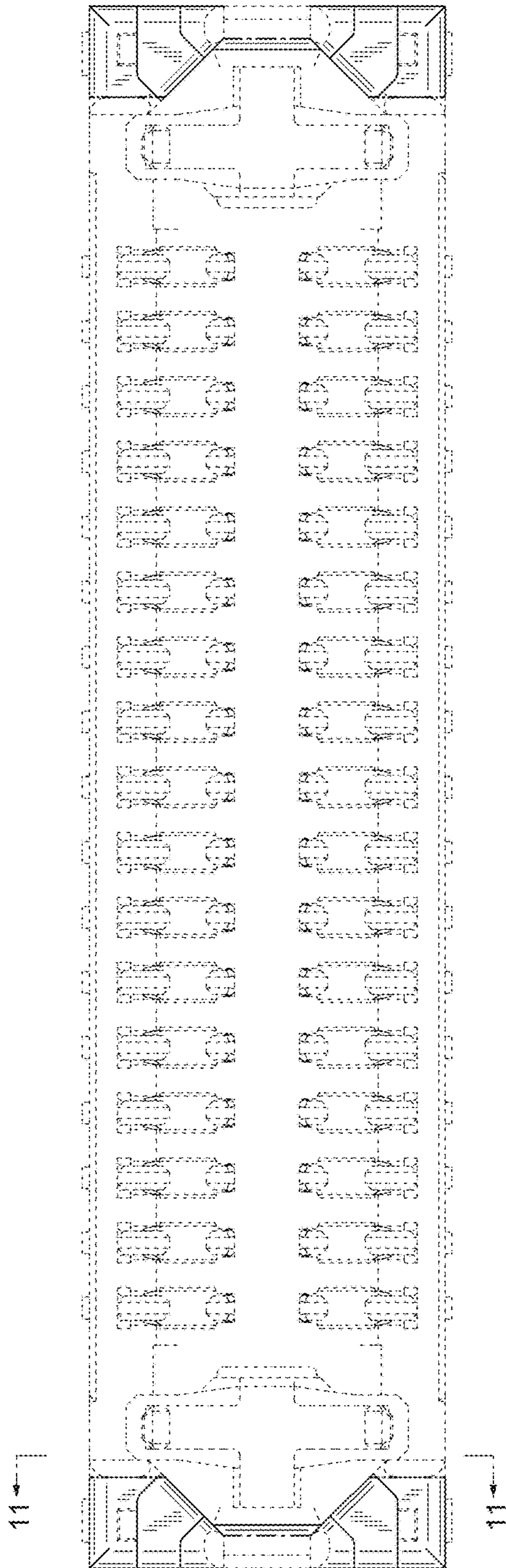


FIG. 3

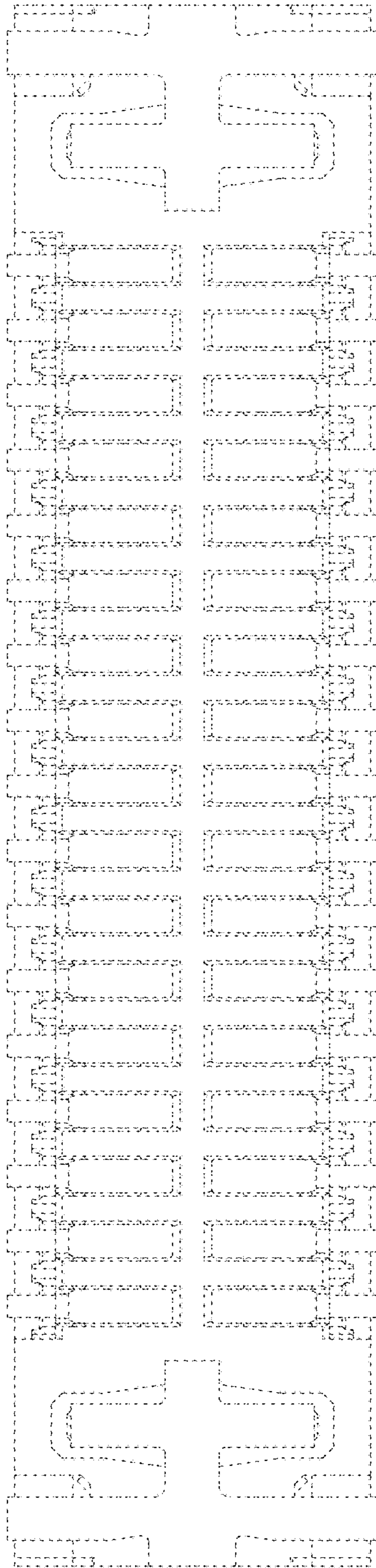


FIG. 4



FIG. 5

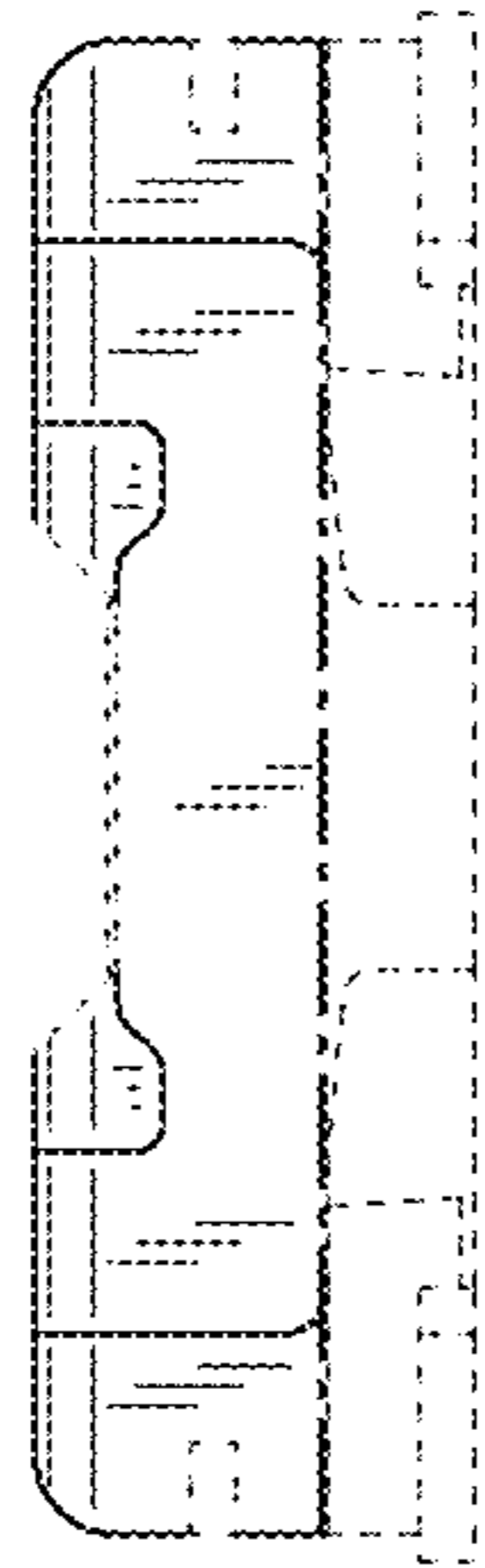


FIG. 6

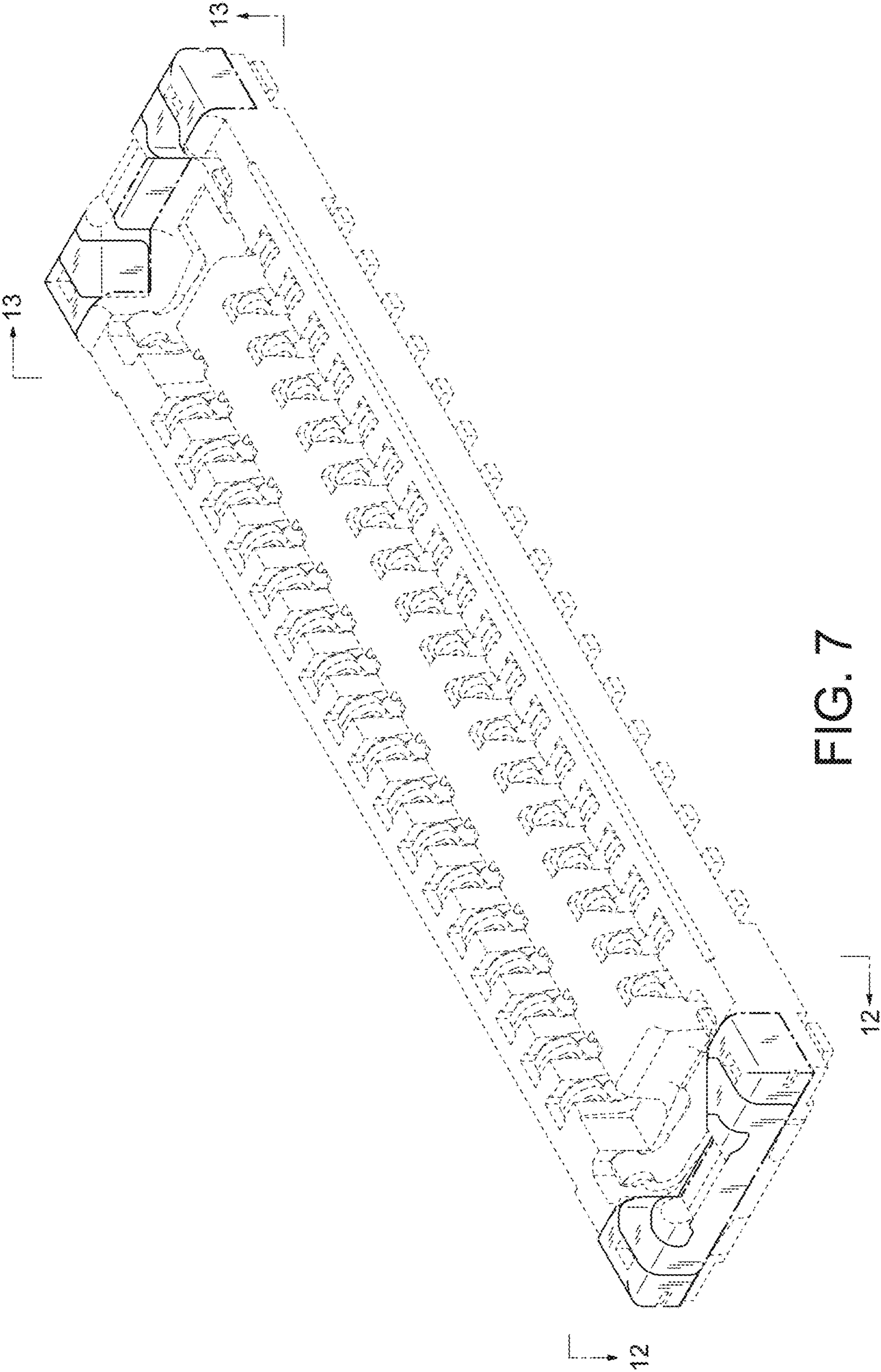


FIG. 7

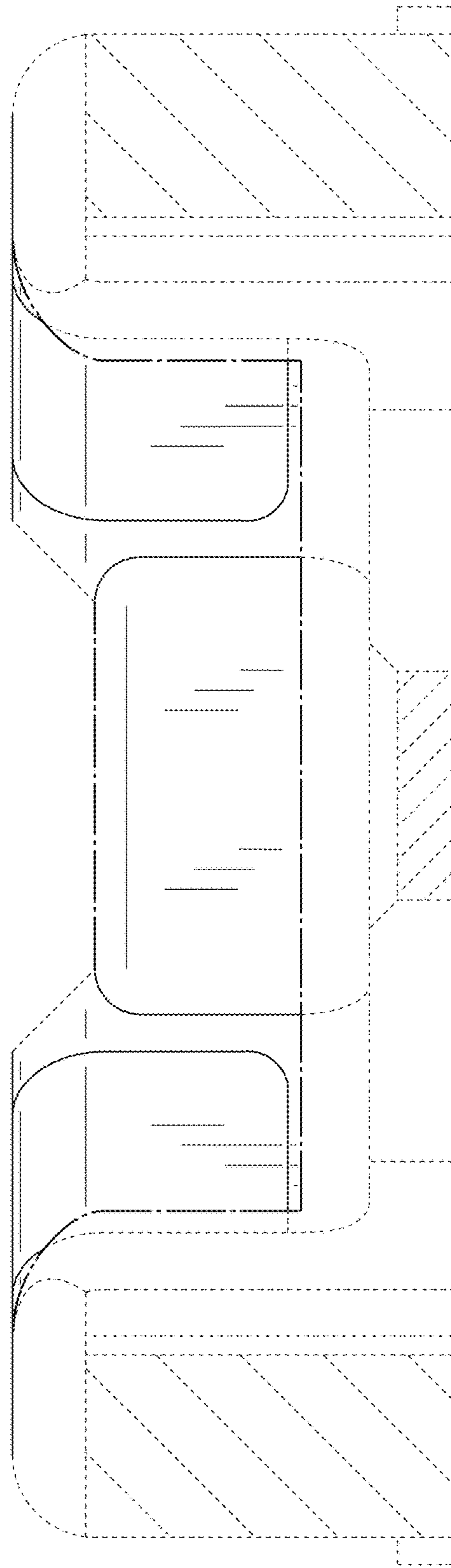


FIG. 8

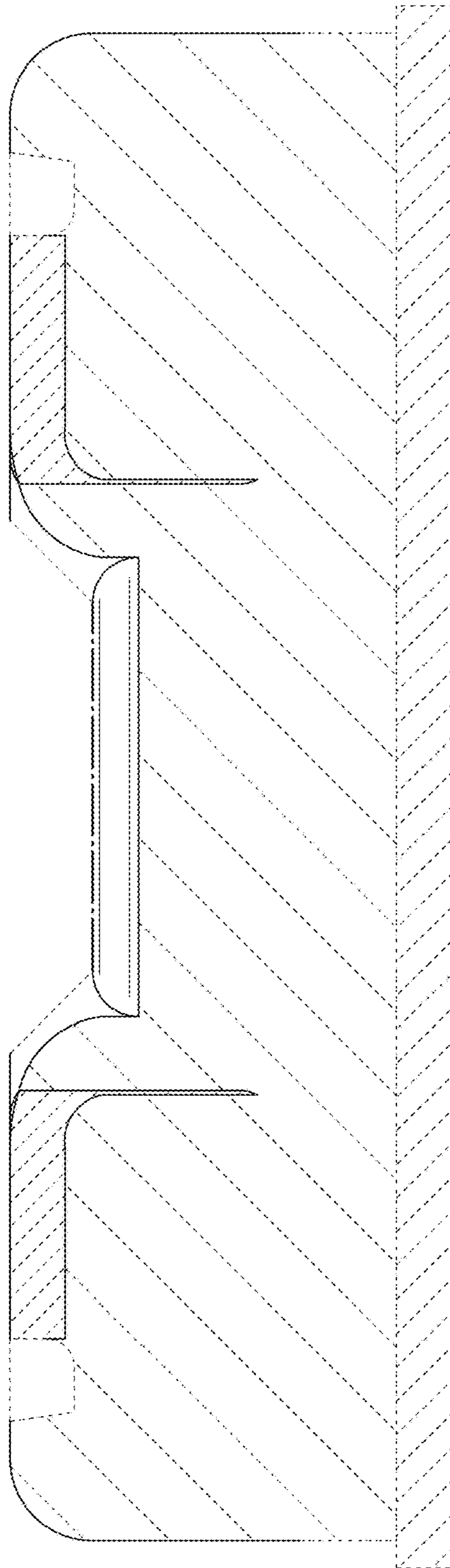


FIG. 9

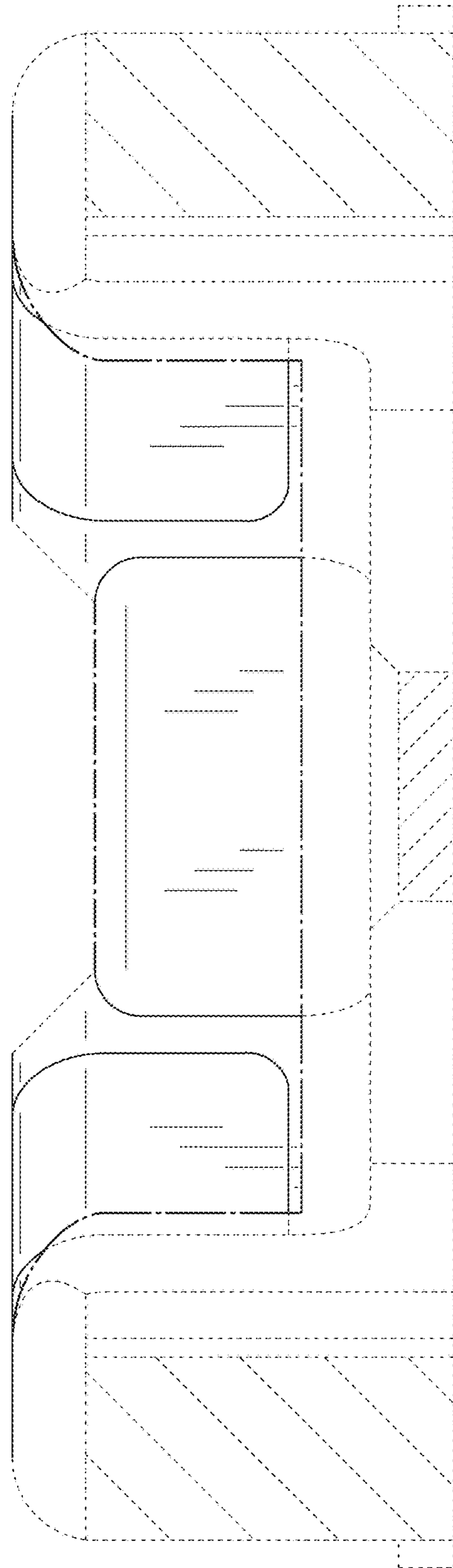


FIG. 10

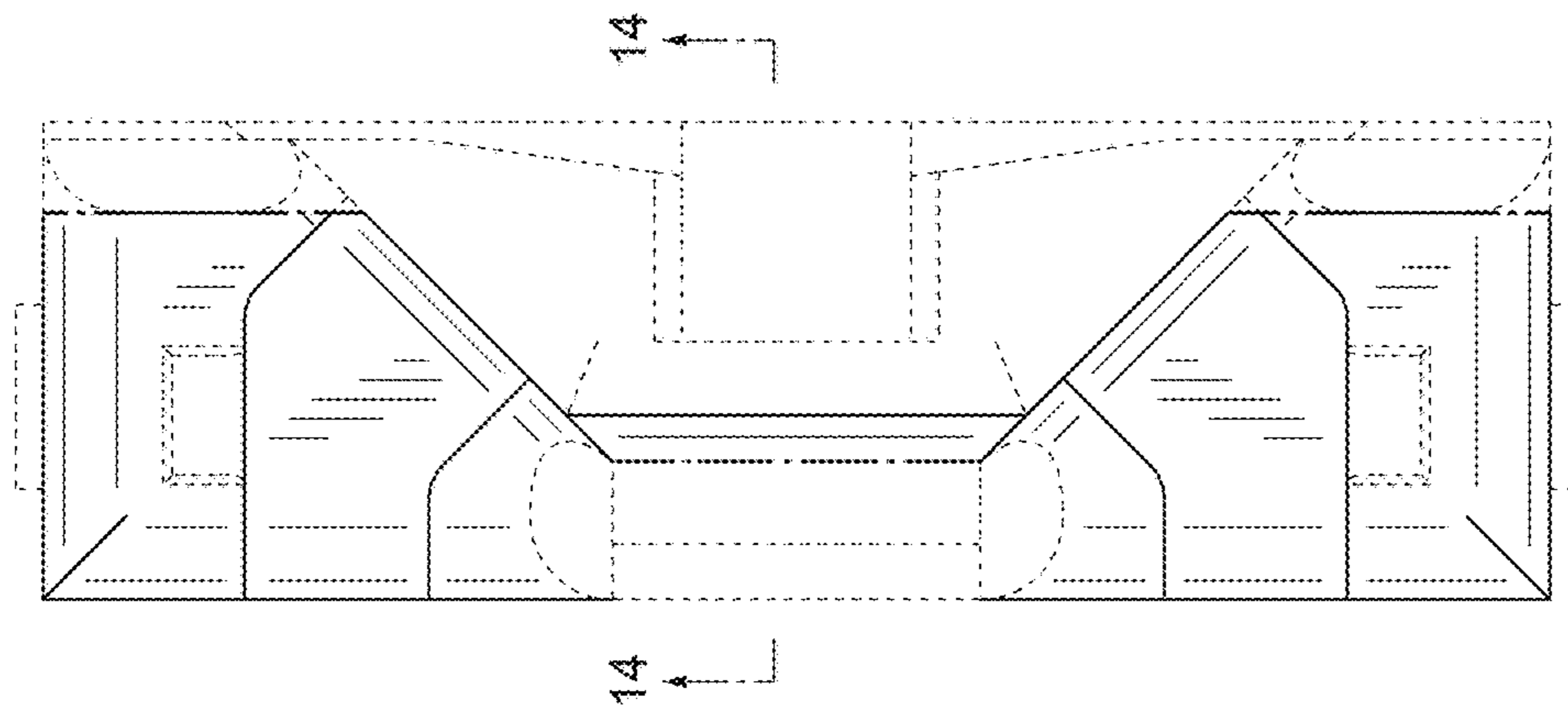


FIG. 11

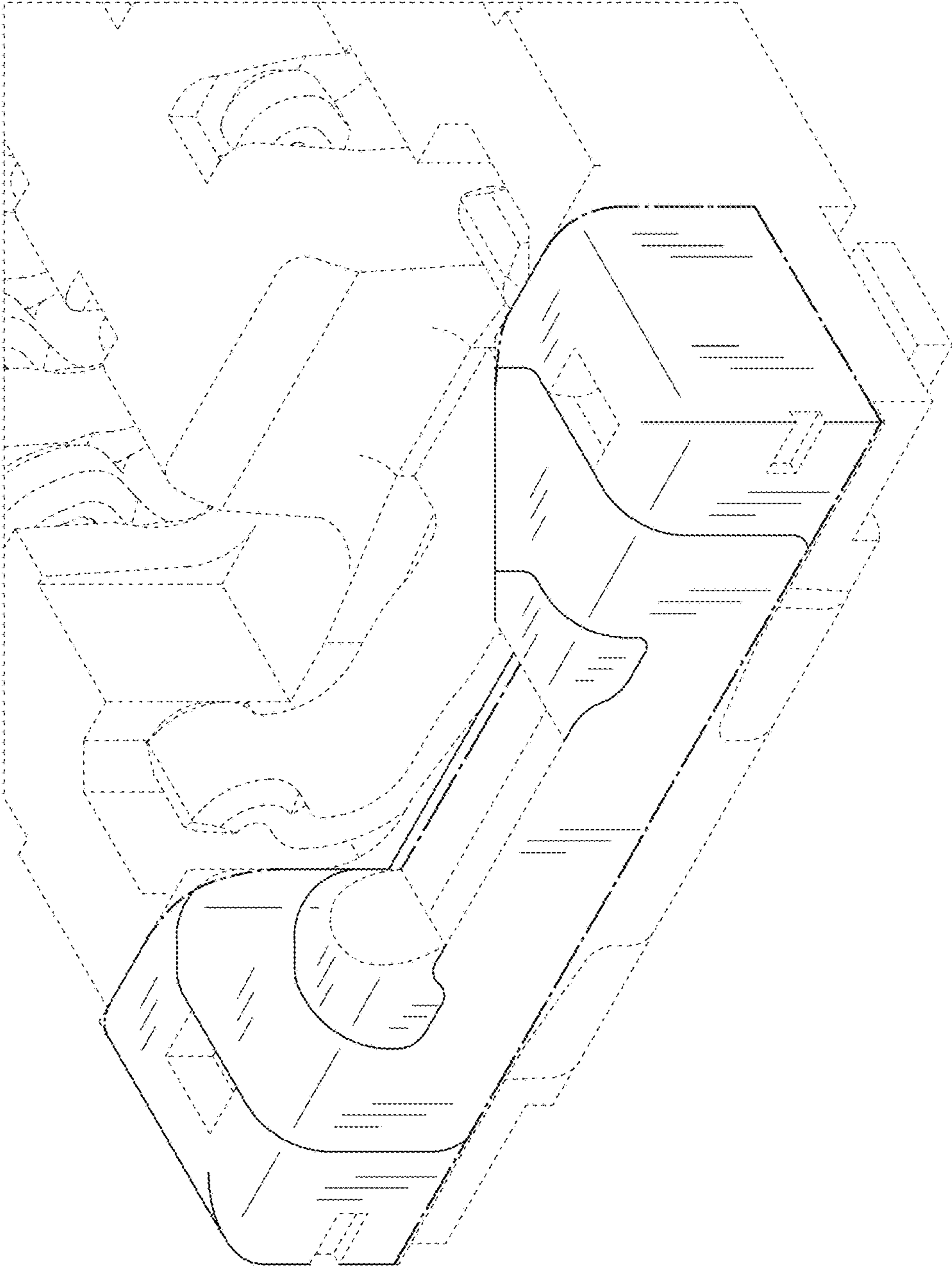


FIG. 12

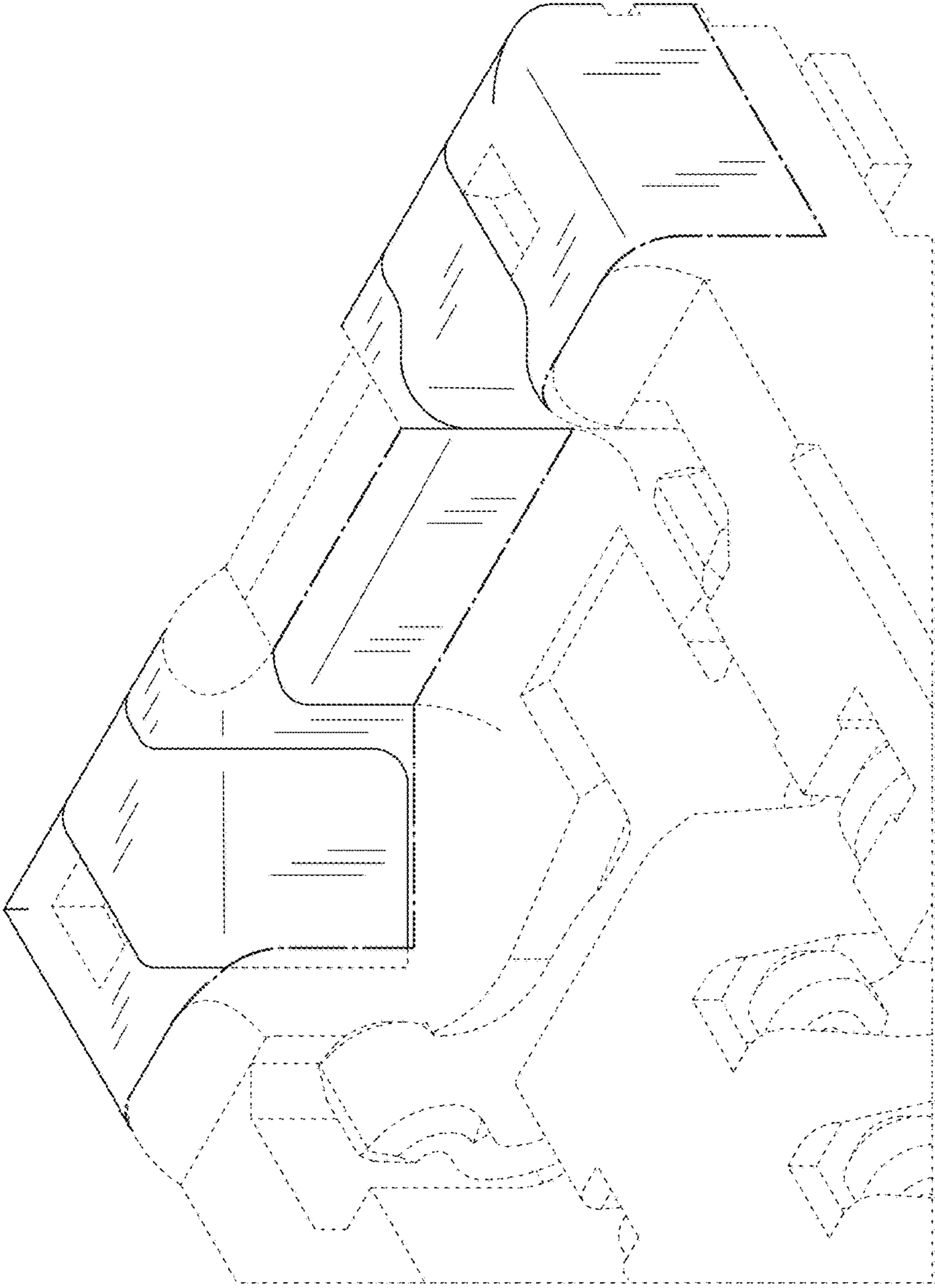


FIG. 13

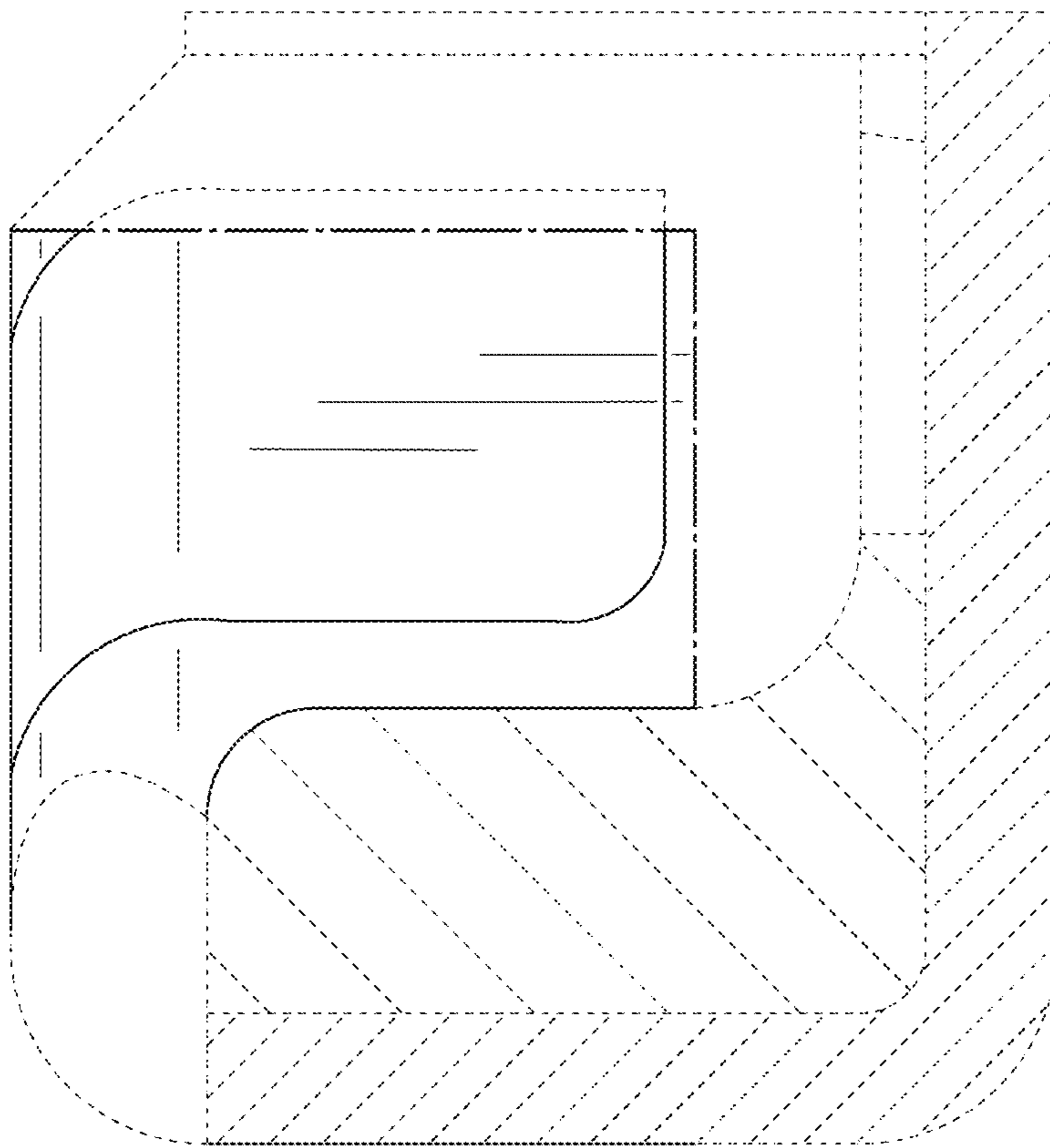


FIG. 14