



US00D842810S

(12) **United States Design Patent**
Sakai et al.

(10) **Patent No.:** **US D842,810 S**
(45) **Date of Patent:** **** Mar. 12, 2019**

(54) **MOTOR**

- (71) Applicant: **mitsubishi electric CORPORATION**, Tokyo (JP)
- (72) Inventors: **Shin Sakai**, Tokyo (JP); **Hitomi Yanamura**, Tokyo (JP); **Takenori Baba**, Tokyo (JP)
- (73) Assignee: **Mitsubishi Electric Corporation**, Tokyo (JP)
- (**) Term: **15 Years**
- (21) Appl. No.: **29/624,657**
- (22) Filed: **Nov. 2, 2017**

Related U.S. Application Data

- (62) Division of application No. 29/573,153, filed on Aug. 3, 2016, now Pat. No. Des. 816,031.

Foreign Application Priority Data

- (30) Feb. 15, 2016 (JP) 2016-003132
- Feb. 15, 2016 (JP) 2016-003134
- (Continued)

- (51) **LOC (11) Cl.** **13-01**
- (52) **U.S. Cl.**
USPC **D13/112**
- (58) **Field of Classification Search**
USPC D13/112, 101, 113, 114, 199; D15/1, 3, D15/5; 91/197; 310/47, 89, 113, 166, 91
- (Continued)

References Cited

U.S. PATENT DOCUMENTS

- D167,140 S 7/1952 Dochterman
- D169,487 S 5/1953 Horvath et al.
- (Continued)

OTHER PUBLICATIONS

Ryobi Ink Key Motor posted by My Choice Retail posted date Mar. 3, 2014, © BlogSpot, [online], [site visited Jun. 8, 2018]. Available from Internet, <http://smuto.blogspot.com/2014/03/ryobi-ink-key-motor-te-16km-12-384.html> (Year: 2014).*

Primary Examiner — Cynthia Ramirez

Assistant Examiner — Laura H Yu

(74) *Attorney, Agent, or Firm* — Stuebaker & Brackett PC

CLAIM

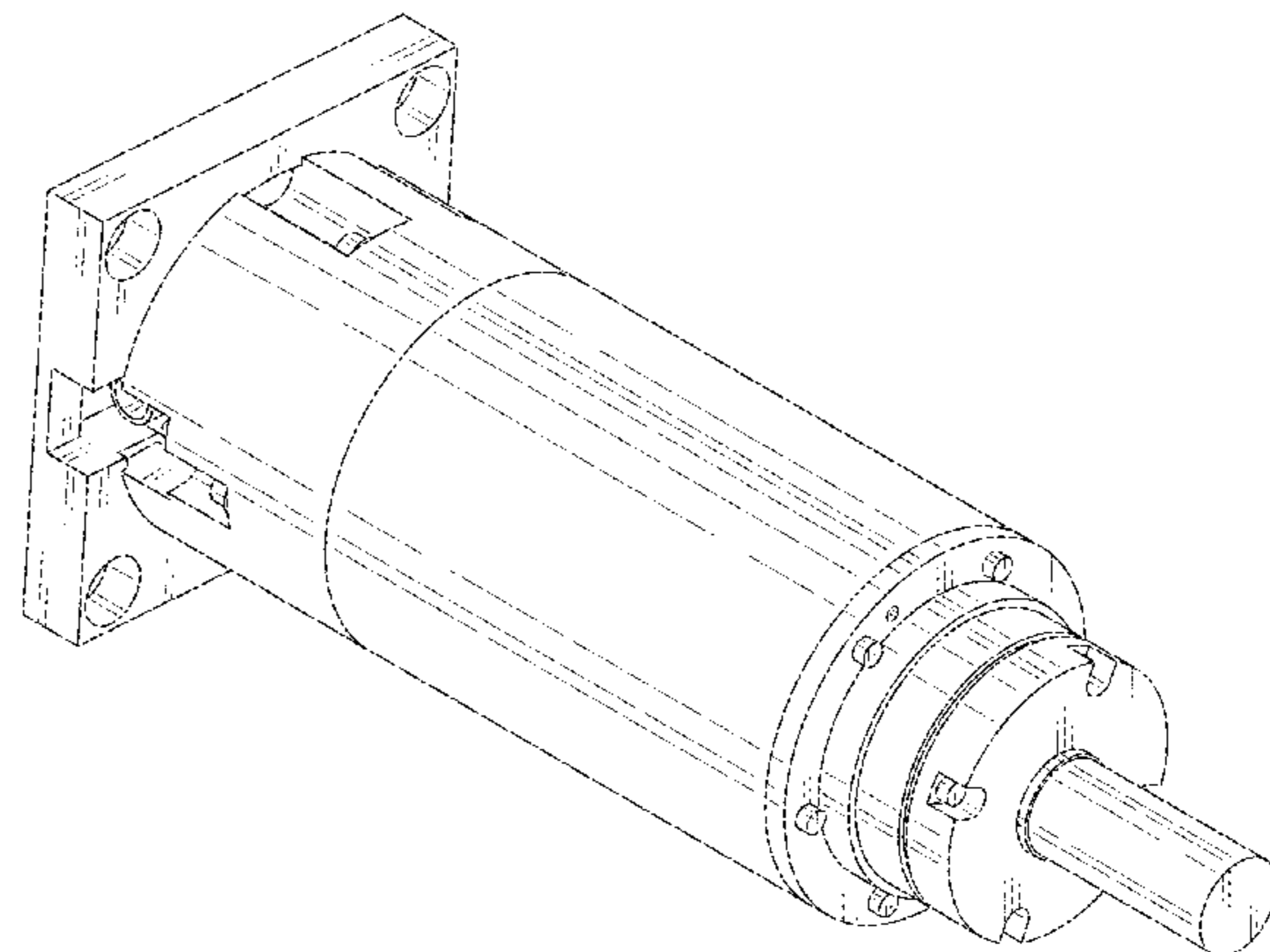
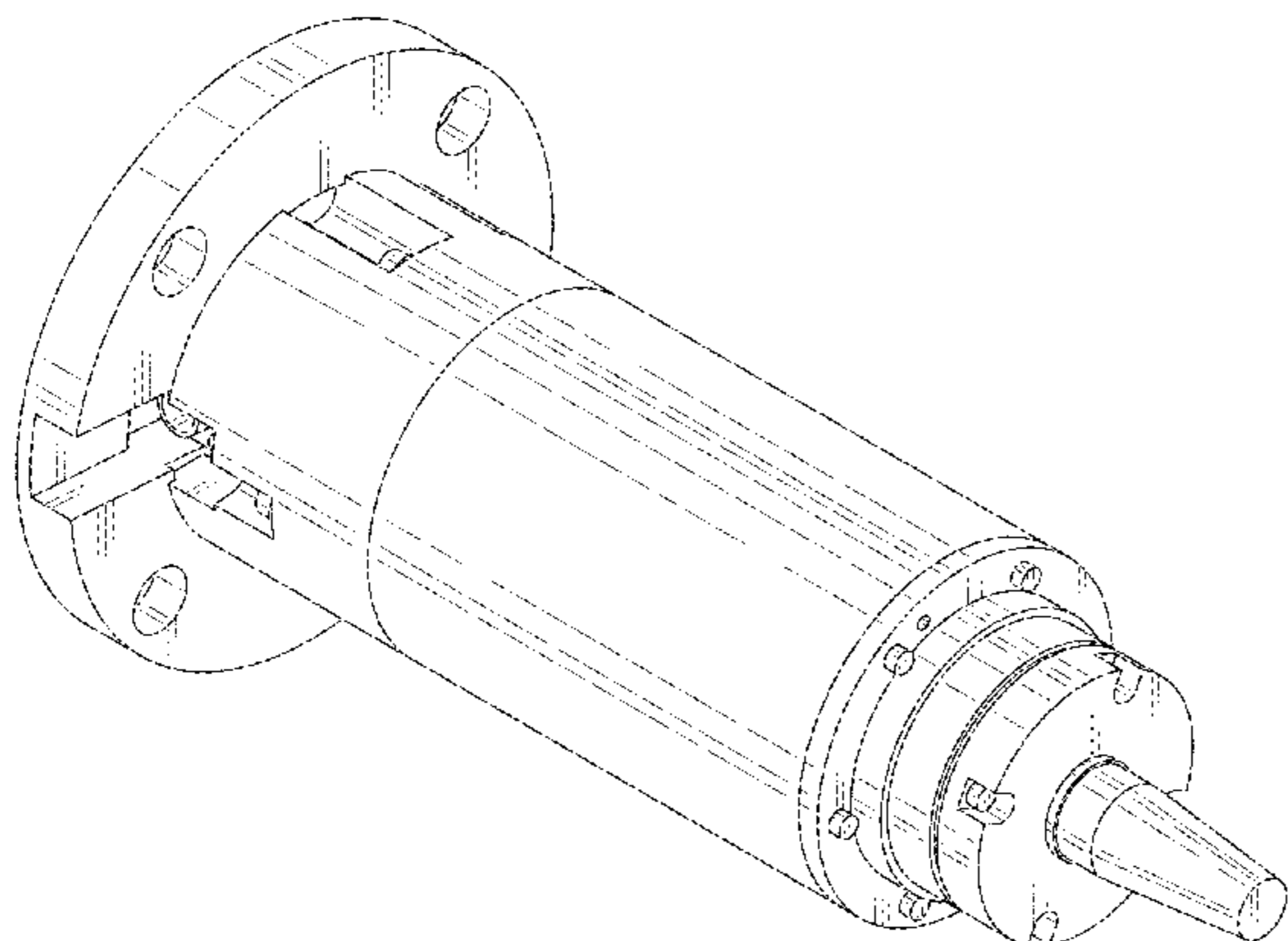
(57) The ornamental design for the motor, as shown and described.

DESCRIPTION

FIG. 1 is a perspective view of the front, right, and top sides of the first embodiment of a motor showing our new design; FIG. 2 is a perspective view of the rear, left, and bottom sides thereof; FIG. 3 is a front view thereof; FIG. 4 is a rear view thereof; FIG. 5 is a left side view thereof; FIG. 6 is a right side view thereof; FIG. 7 is a top view thereof; FIG. 8 is a bottom view thereof; FIG. 9 is a perspective view of the front, right, and top sides of the second embodiment of a motor showing our new design; FIG. 10 is a perspective view of the rear, left, and bottom sides thereof; FIG. 11 is a front view thereof; FIG. 12 is a rear view thereof; FIG. 13 is a left side view thereof; FIG. 14 is a right side view thereof; FIG. 15 is a top view thereof; and, FIG. 16 is a bottom view thereof.

The broken line showing of the motor is included for the purpose of illustrating portions of the motor and forms no part of the claimed design.

1 Claim, 14 Drawing Sheets



(30) **Foreign Application Priority Data**

Feb. 15, 2016 (JP) 2016-003135
 Feb. 15, 2016 (JP) 2016-003136
 Feb. 15, 2016 (JP) 2016-003137

(58) **Field of Classification Search**

CPC H02K 11/33; H02K 5/10
 See application file for complete search history.

(56) **References Cited**

U.S. PATENT DOCUMENTS

D174,491 S 4/1955 Lima et al.
 D205,662 S 9/1966 Racine
 D213,563 S 3/1969 Mabuchi
 D297,426 S 8/1988 Mabuchi
 D298,228 S 10/1988 Hoshino
 D301,454 S 6/1989 Hara et al.
 D304,169 S 10/1989 Hoshino et al.

D325,560 S 4/1992 Baines
 D329,839 S 9/1992 Ehrhart
 D332,081 S 12/1992 Sieber
 D479,541 S * 9/2003 Lannoch D15/148
 D601,958 S 10/2009 Huan et al.
 D603,793 S 11/2009 Lindberg
 D693,300 S * 11/2013 Fukasawa D13/112
 D697,586 S 1/2014 Muday et al.
 D703,253 S * 4/2014 Lannoch D15/148
 D705,816 S * 5/2014 Katada D13/112
 D706,304 S 6/2014 Katada
 D715,222 S 10/2014 Saillard et al.
 D741,260 S 10/2015 Yabuuchi et al.
 D742,316 S 11/2015 Sato et al.
 D762,564 S 8/2016 Patton et al.
 D780,118 S 2/2017 Rudolph
 D797,173 S * 9/2017 Ebner D15/148
 D801,926 S * 11/2017 Sakai D13/112
 D816,031 S * 4/2018 Sakai D13/112

* cited by examiner

Fig. 1

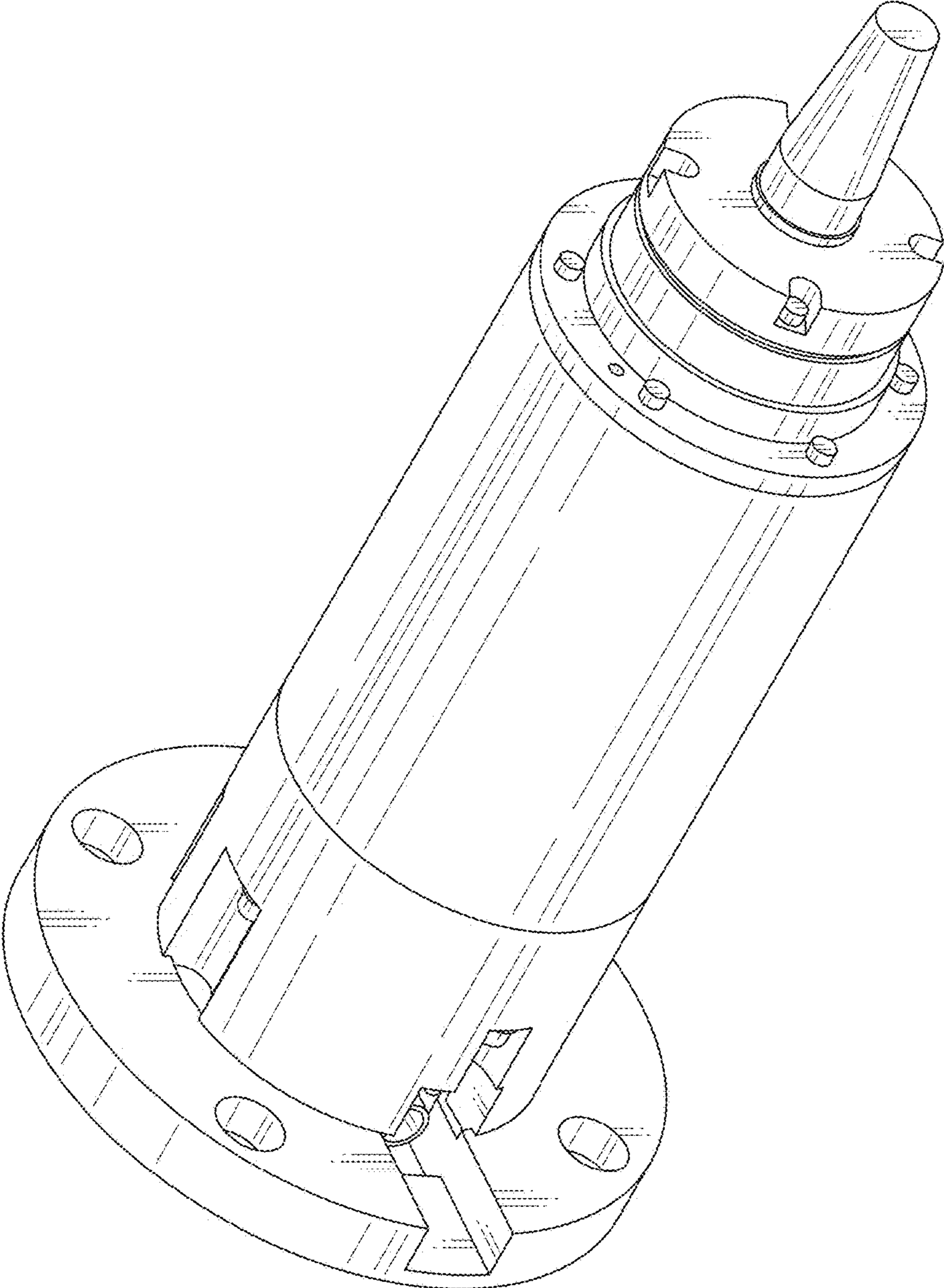


Fig. 2

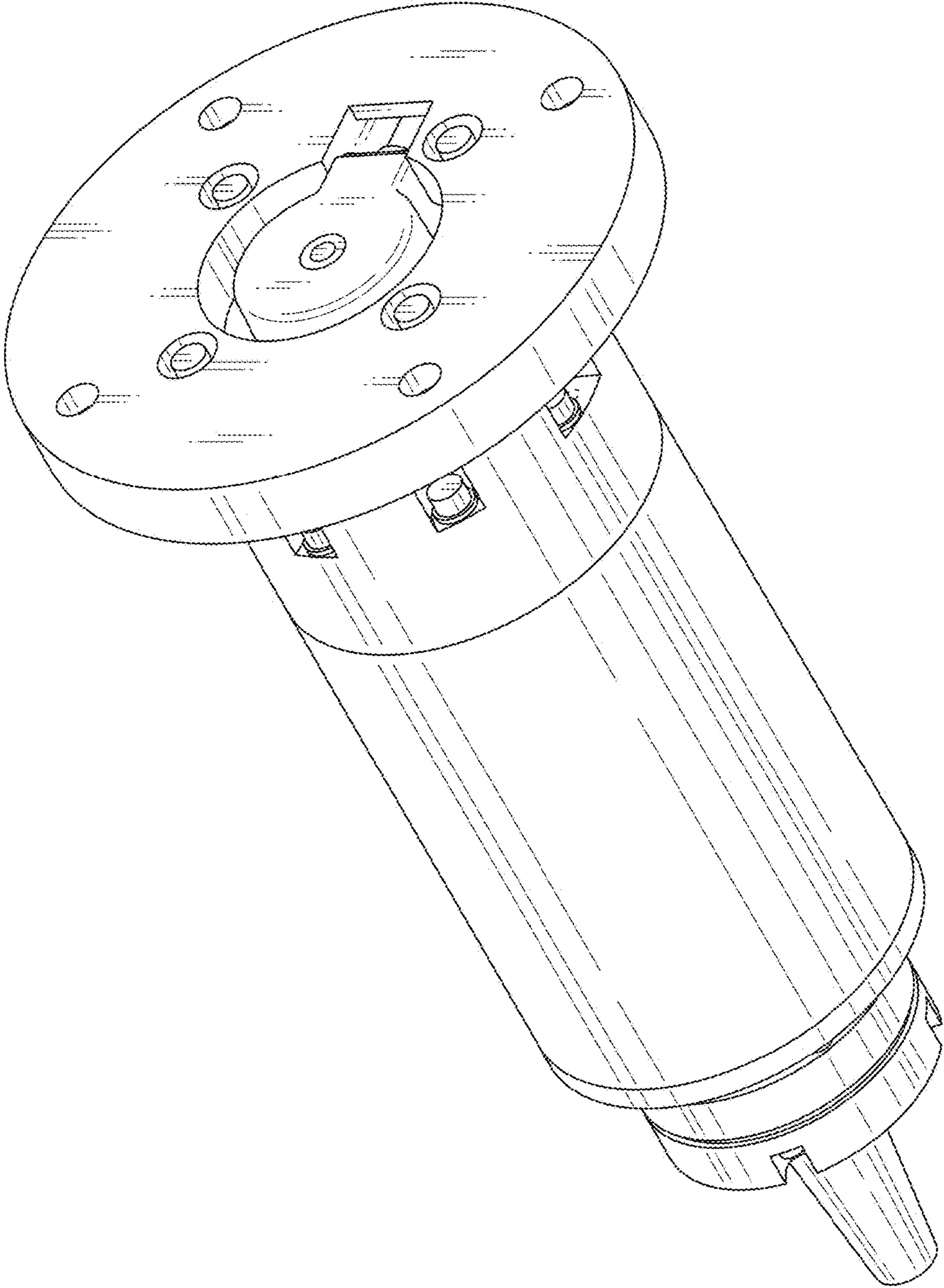


Fig. 3

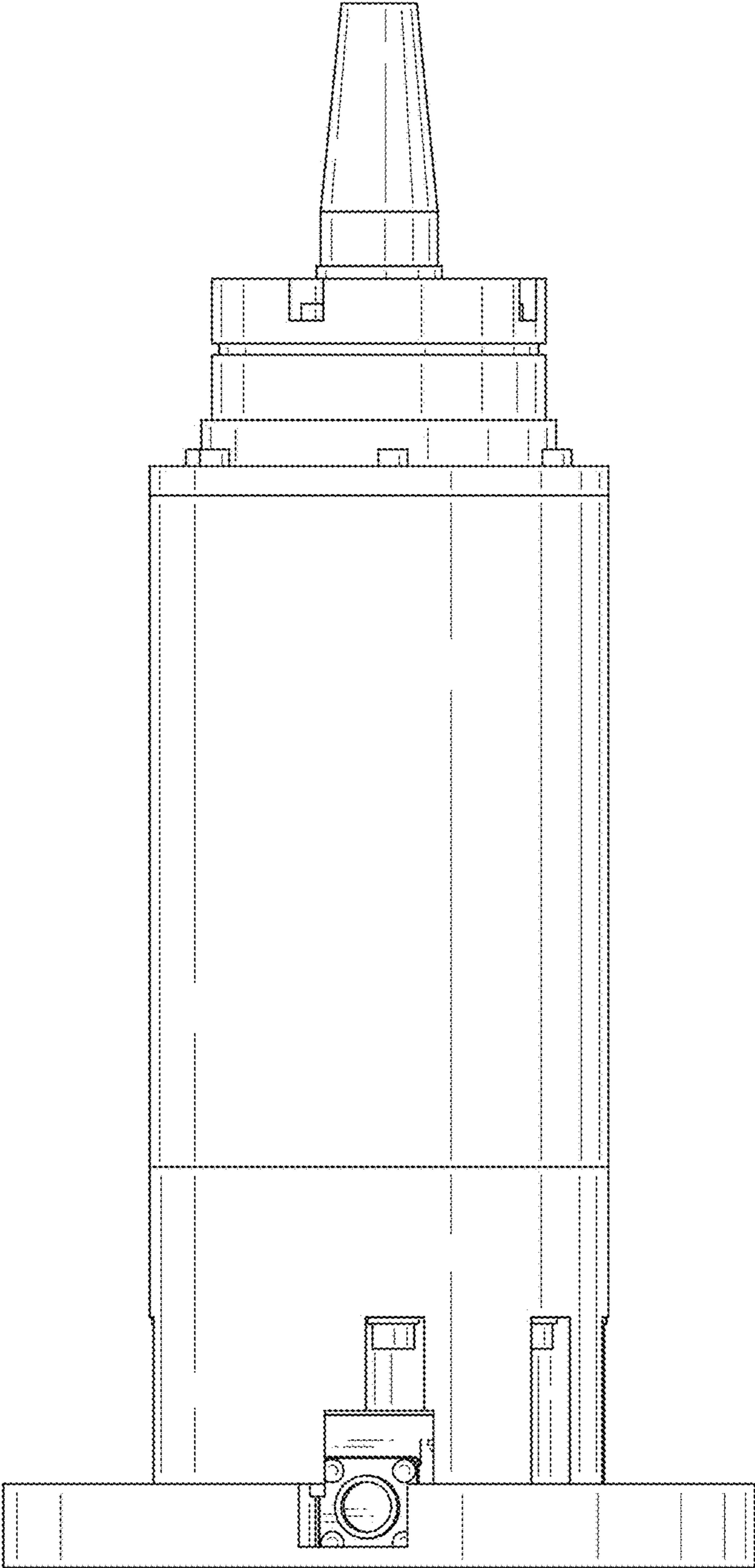


Fig. 4

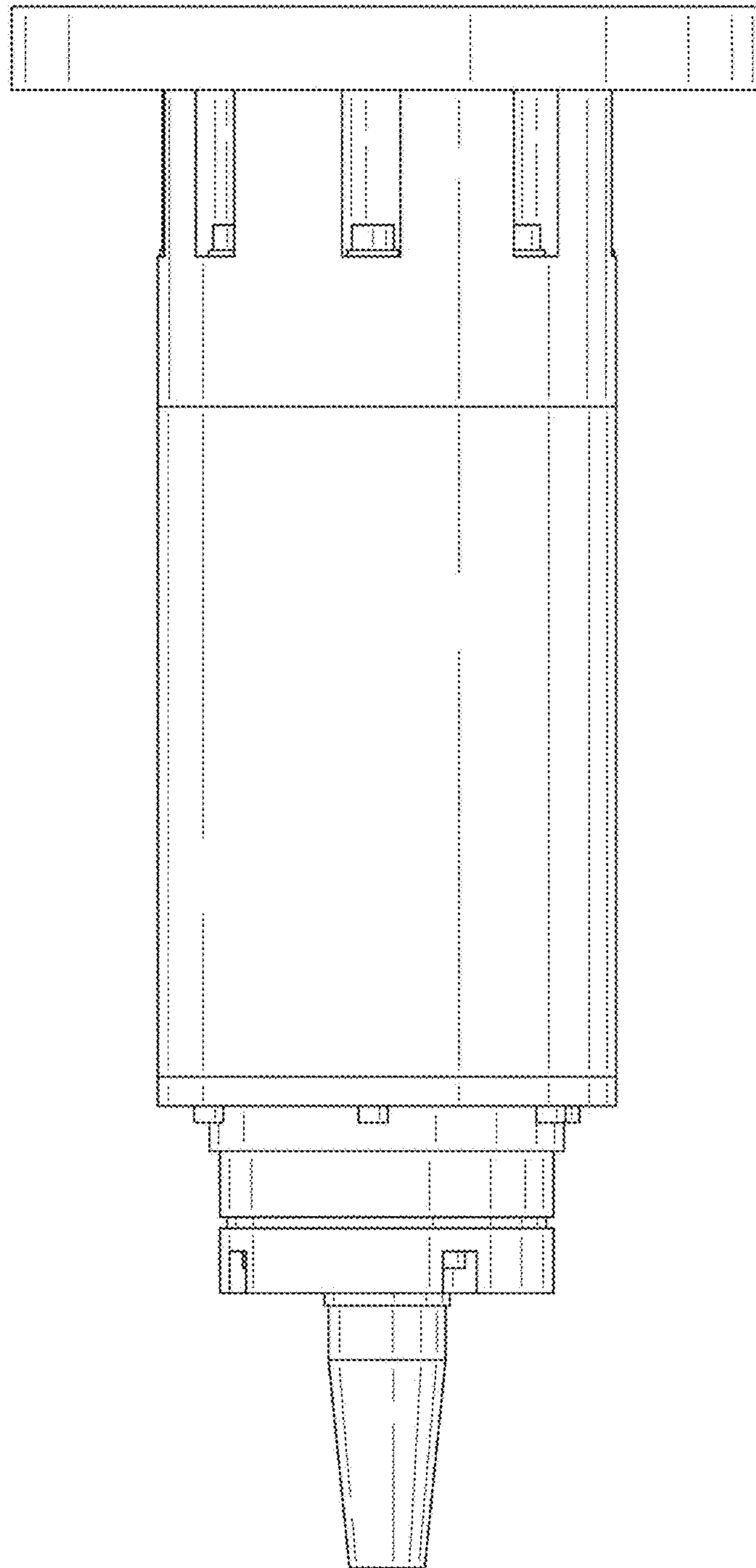


Fig. 6

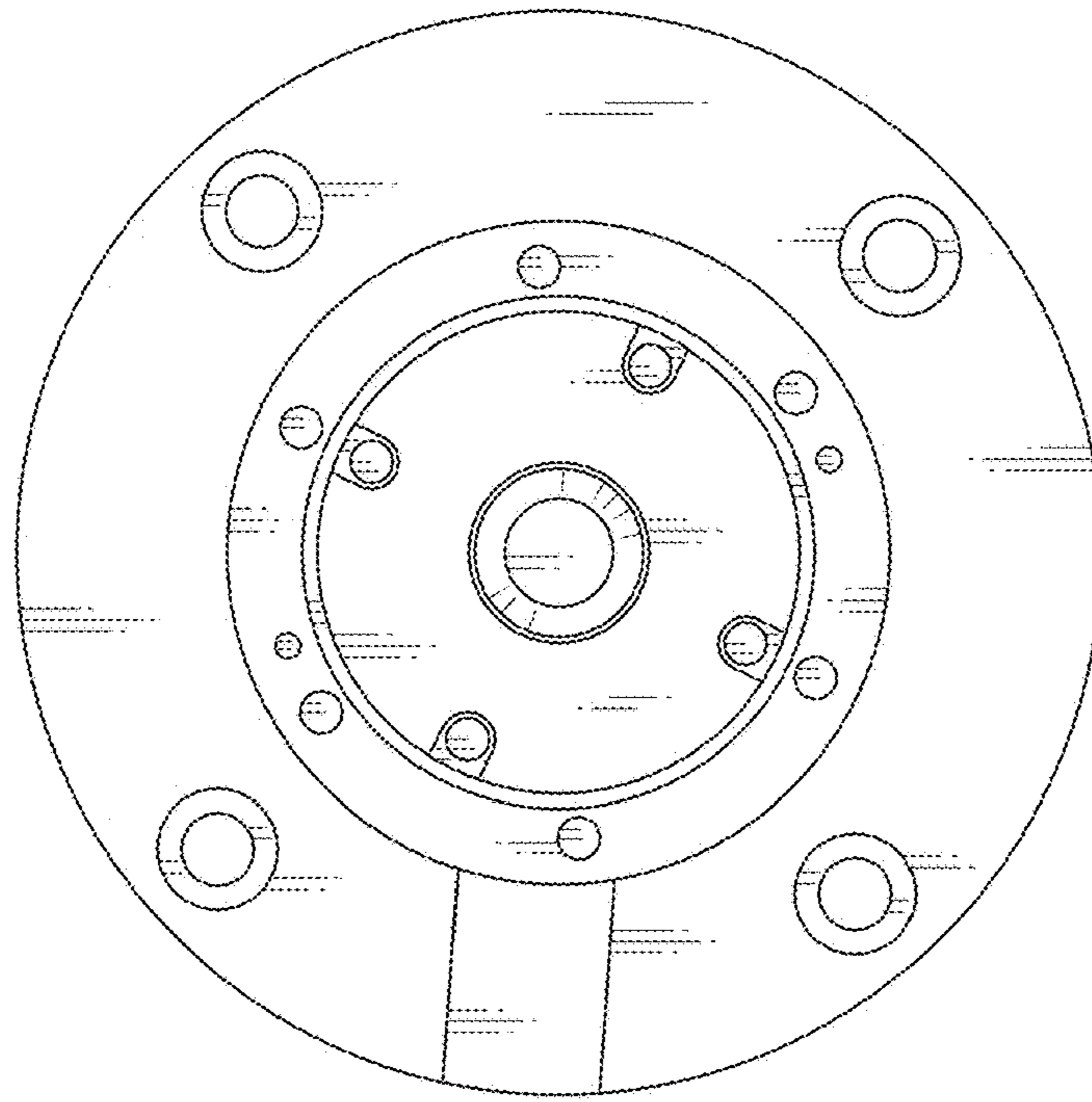


Fig. 5

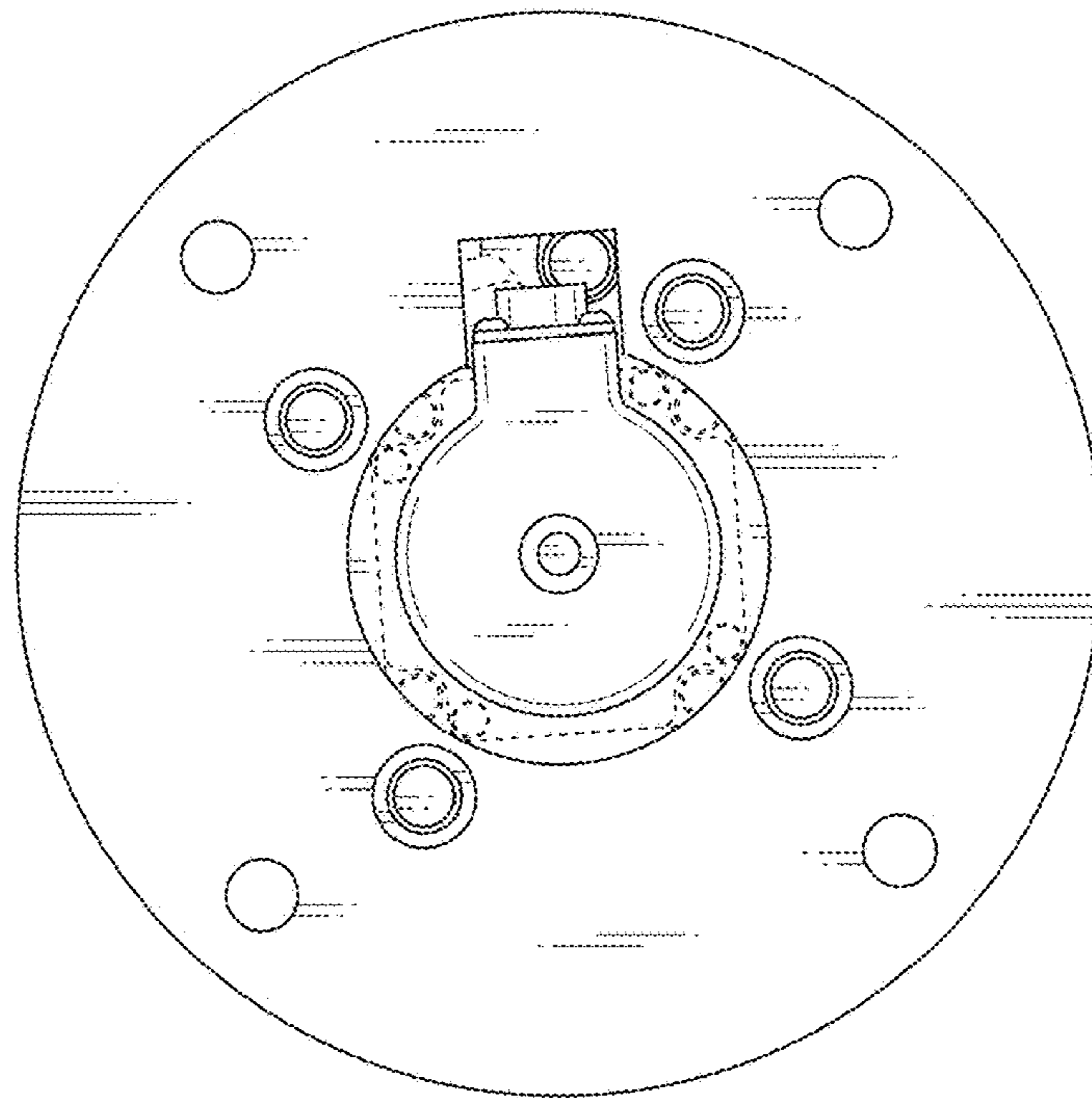


Fig. 7

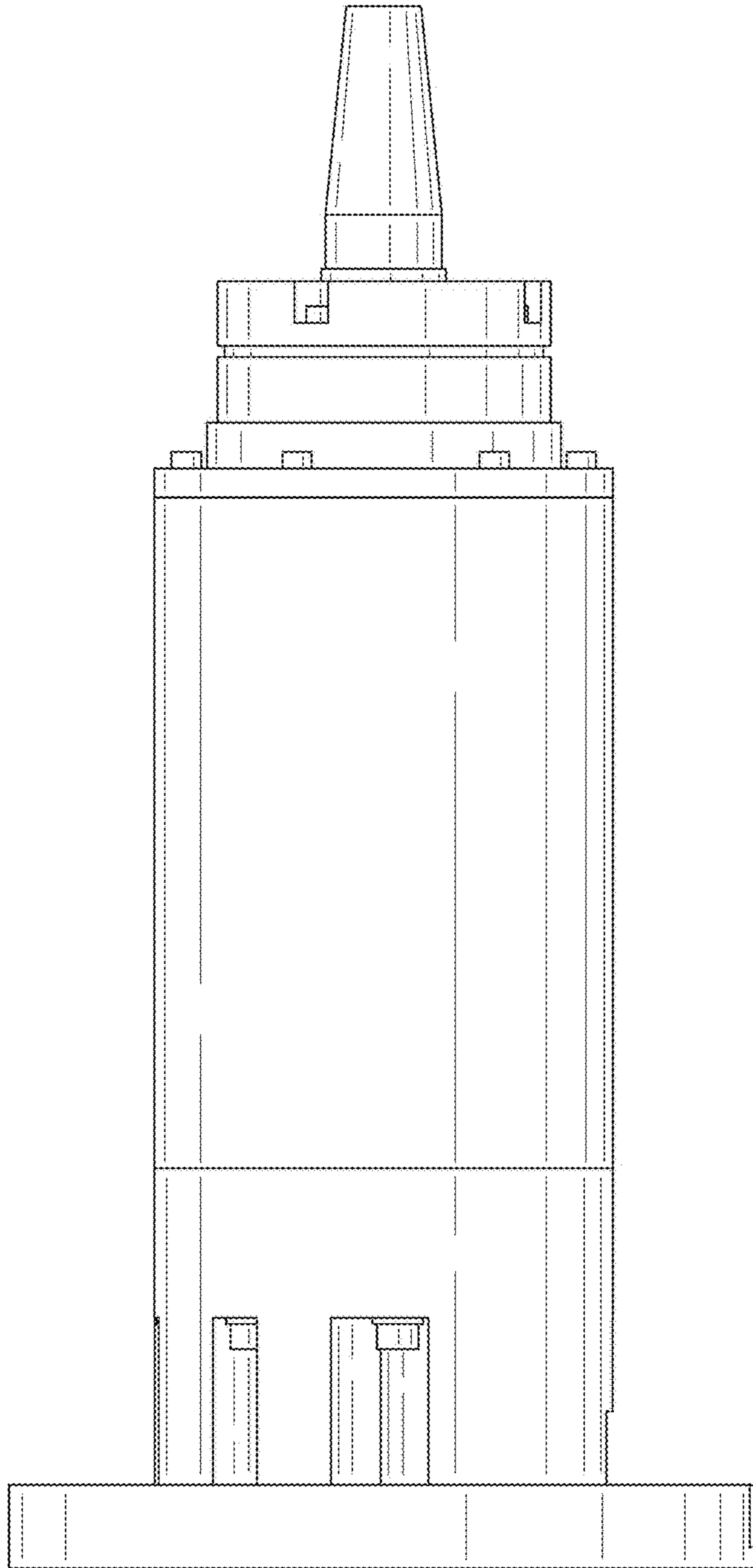


Fig. 8

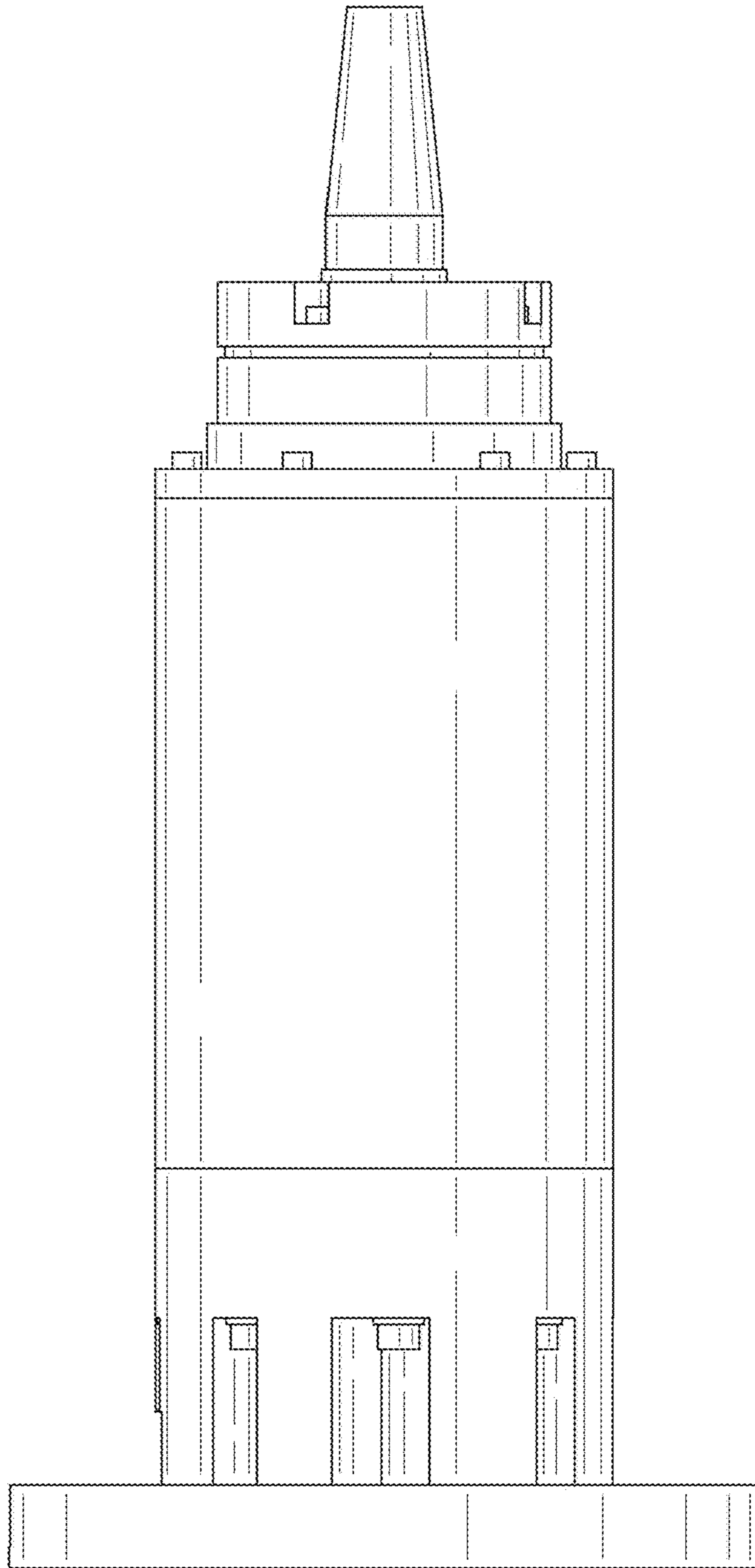
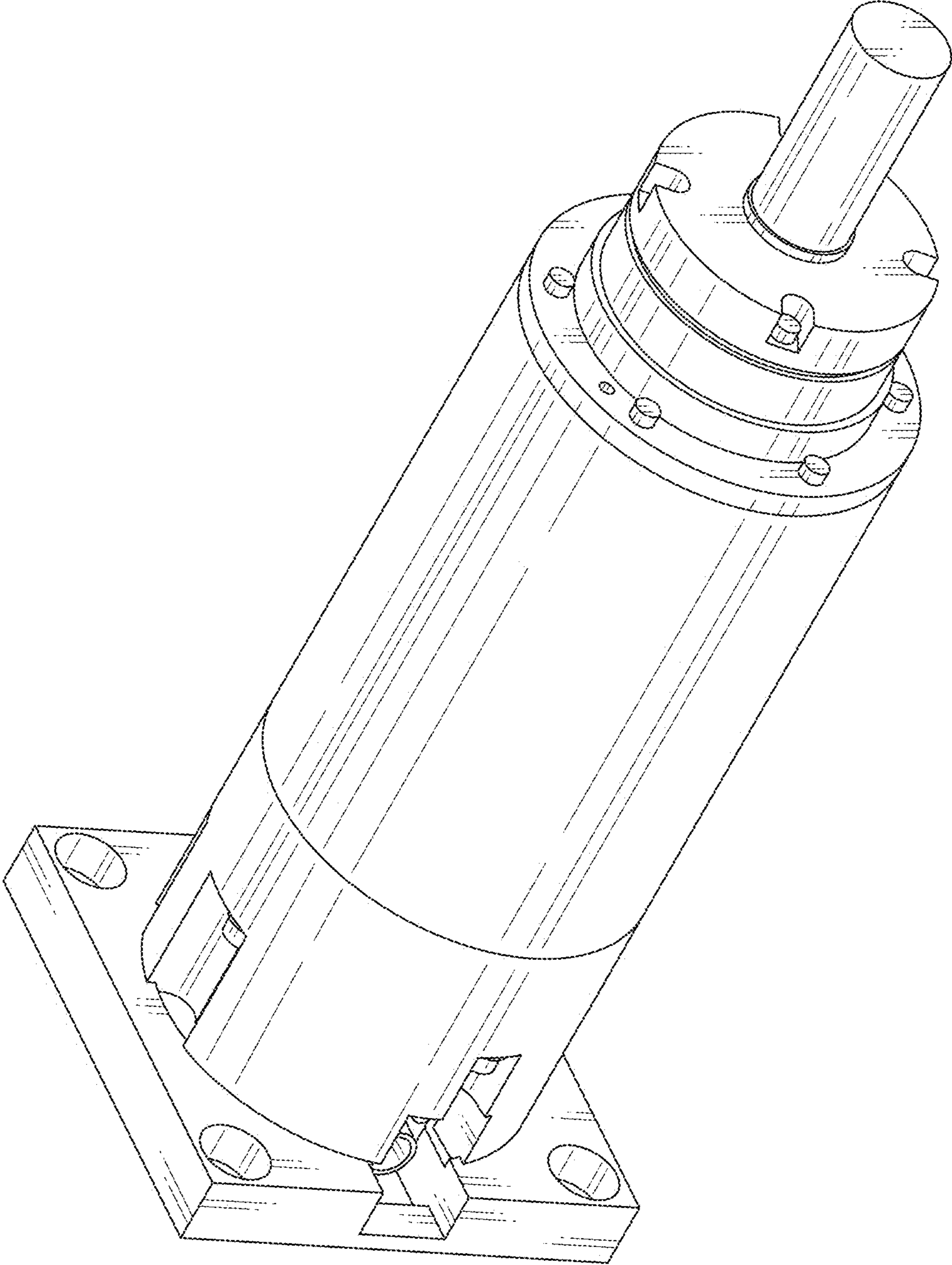


Fig. 9



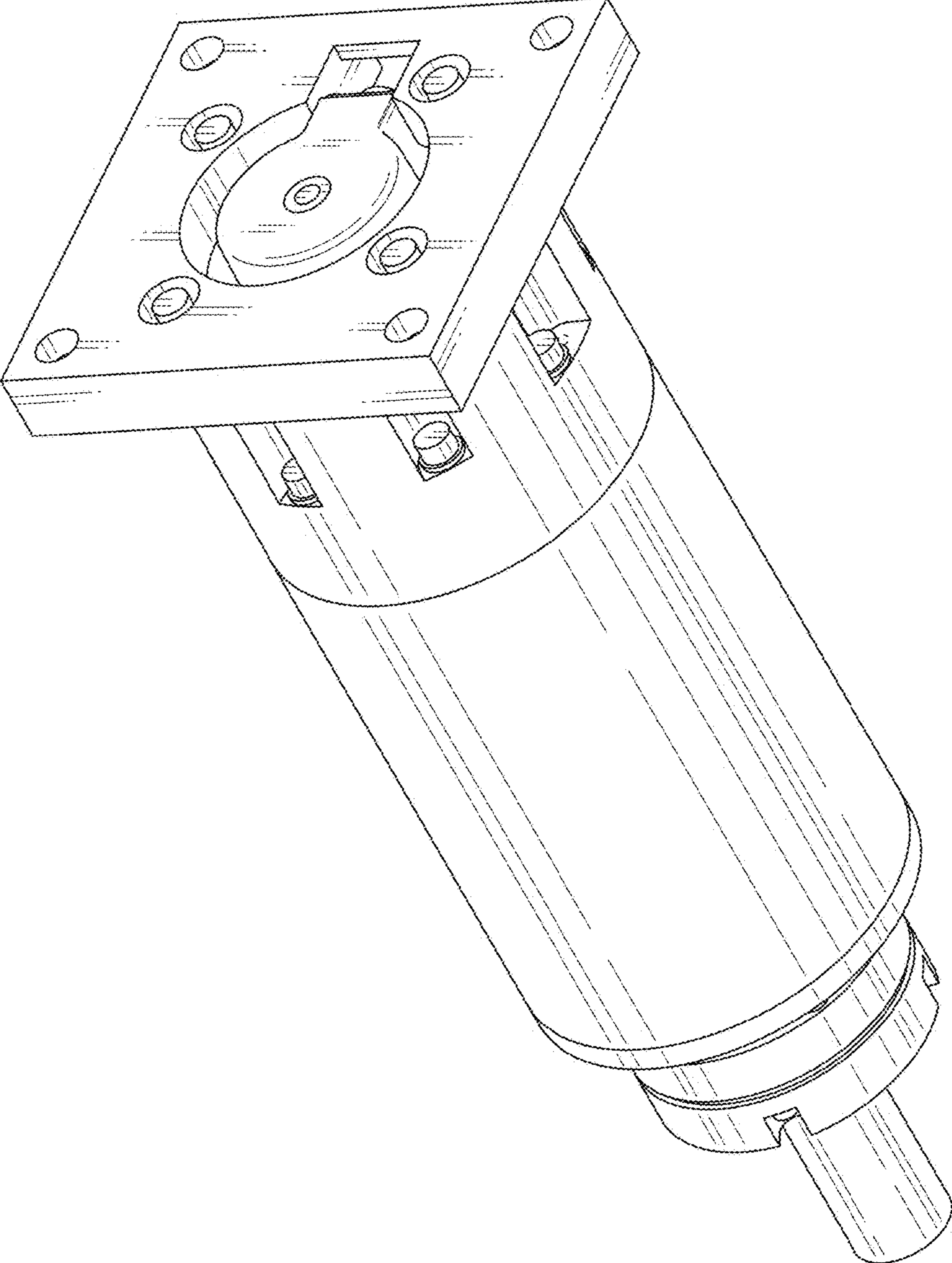


Fig. 10

Fig. 11

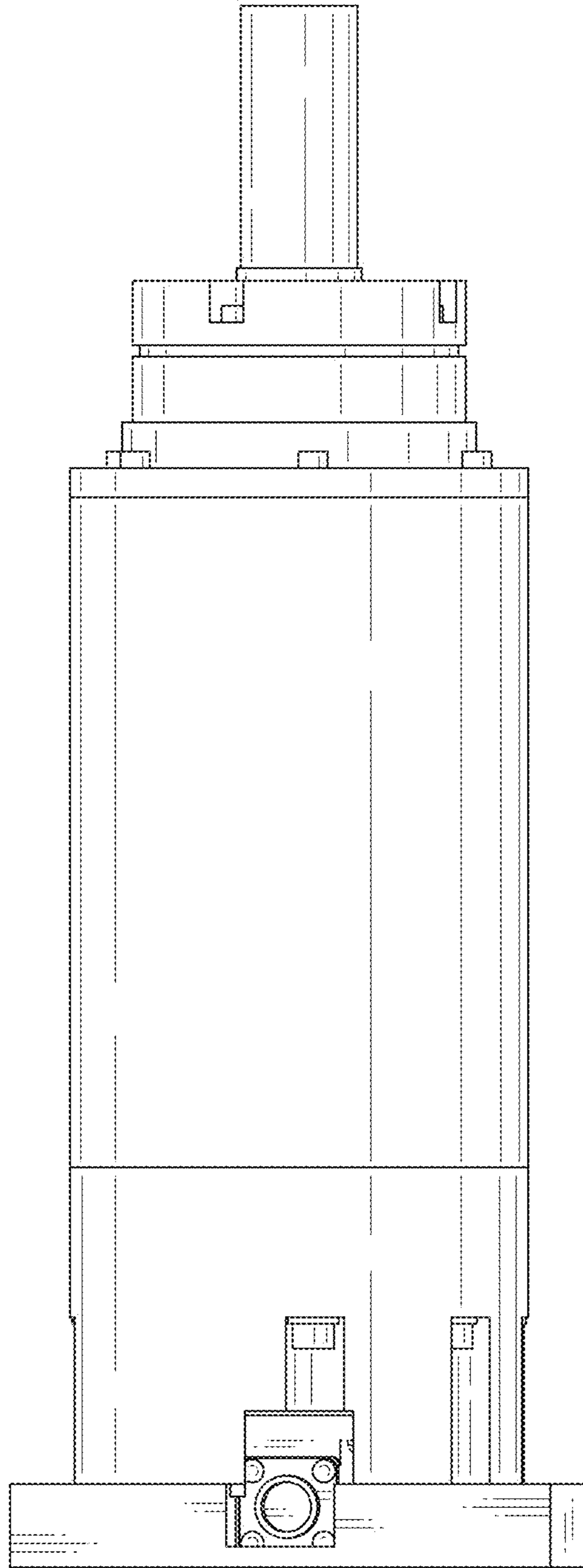


Fig. 12

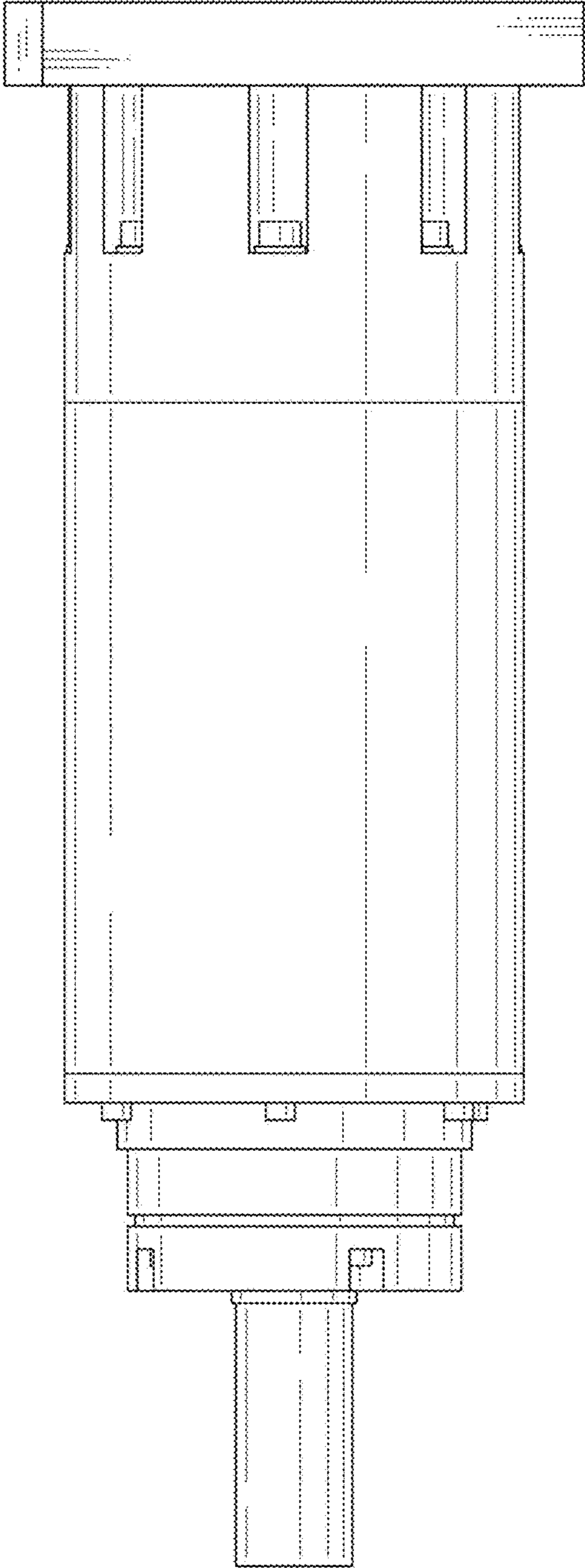


Fig. 14

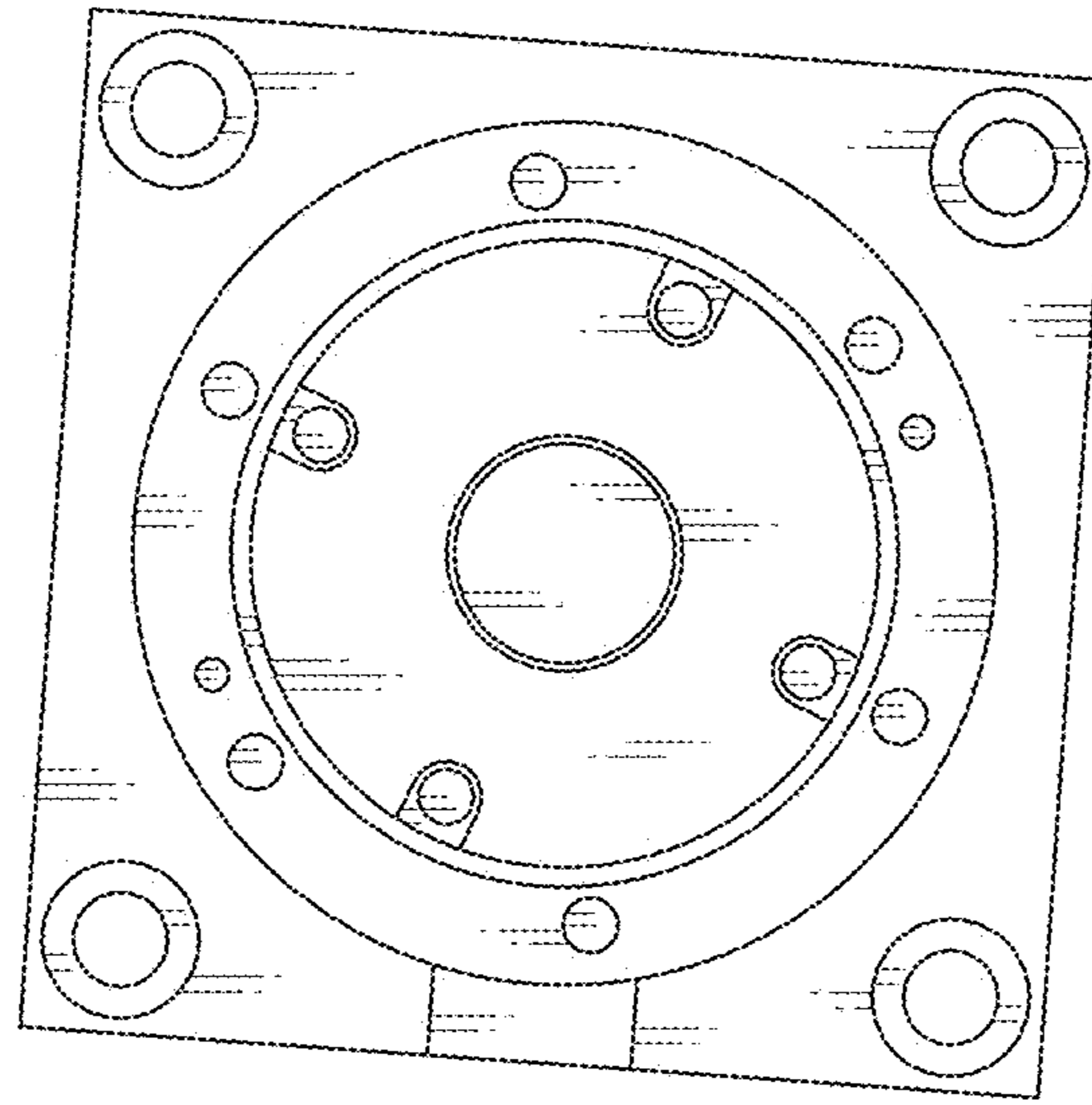


Fig. 13

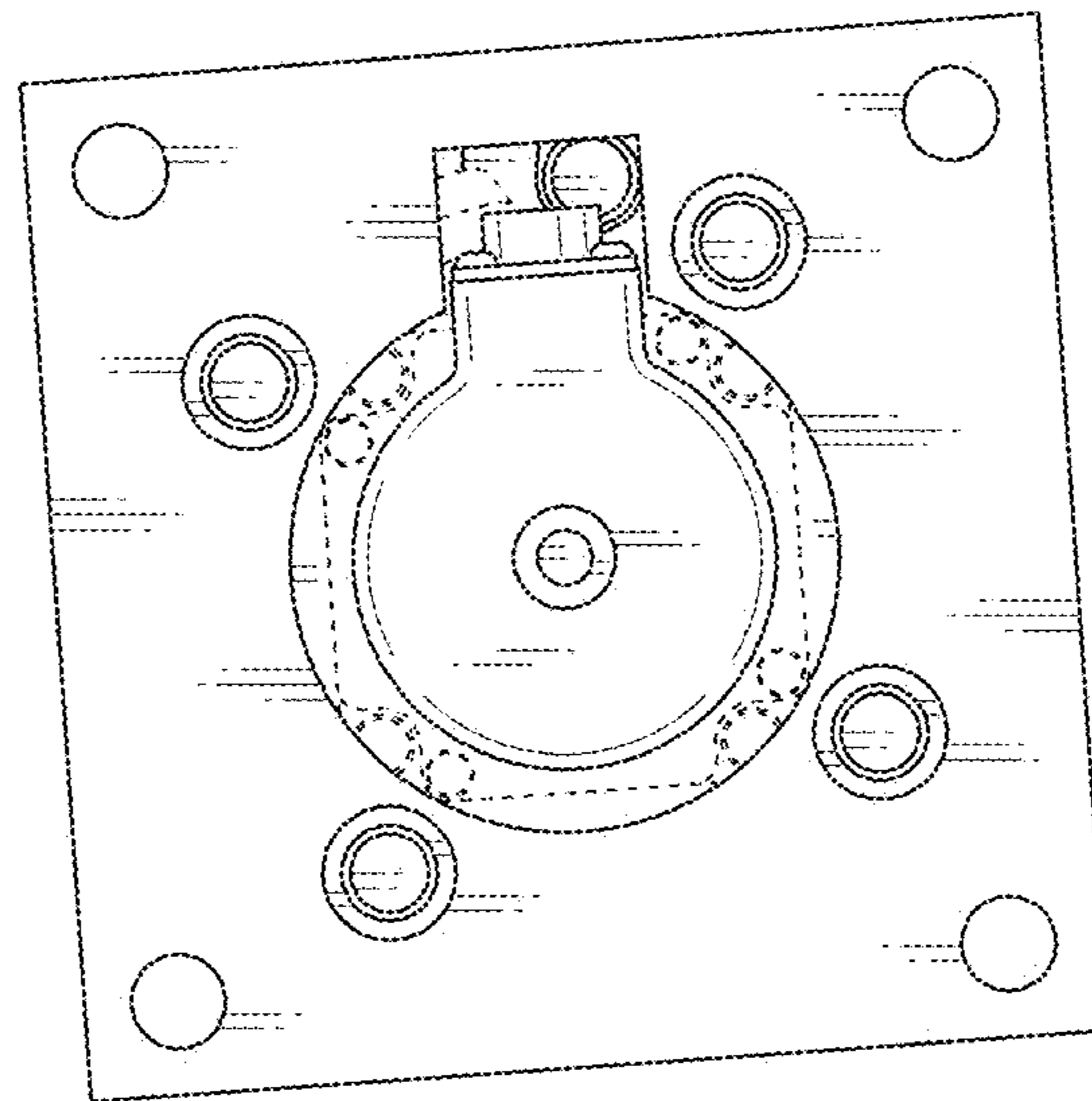


Fig. 15

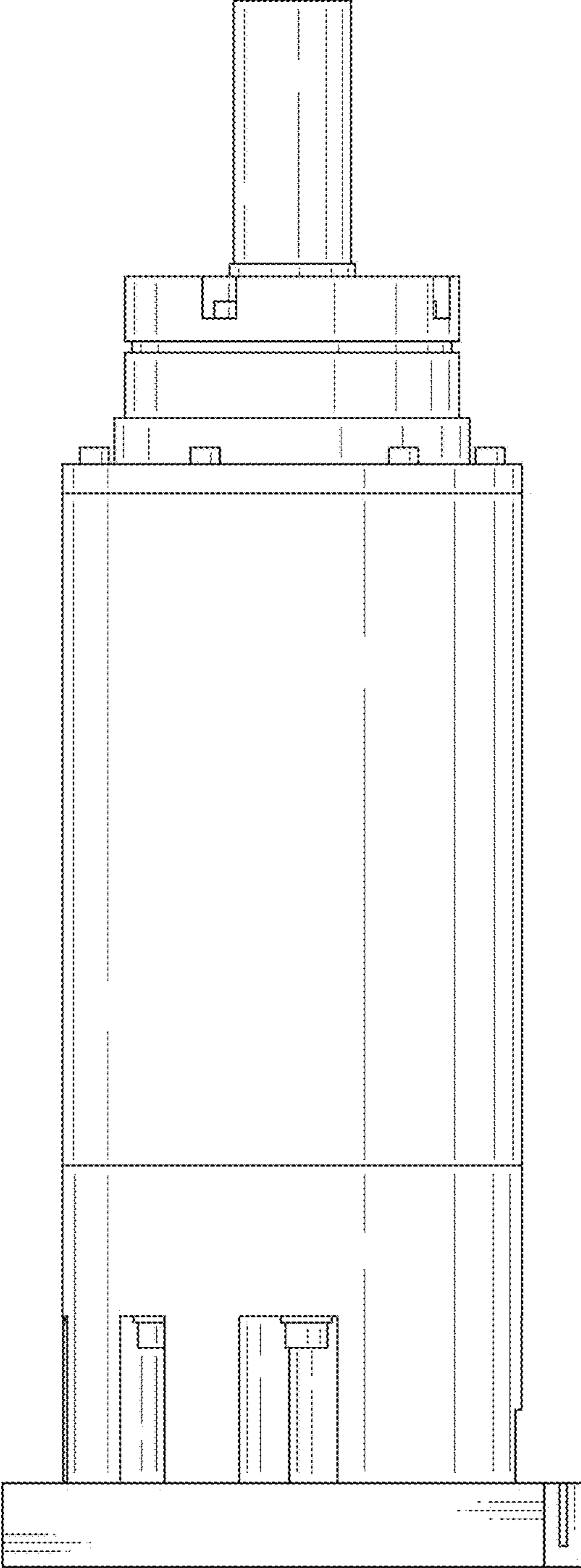


Fig. 16

