



US00D842808S

(12) **United States Design Patent**
Chen et al.

(10) **Patent No.:** **US D842,808 S**

(45) **Date of Patent:** **** Mar. 12, 2019**

(54) **UNINTERRUPTIBLE POWER SUPPLY**

(71) Applicant: **SCHNEIDER ELECTRIC IT CORPORATION**, West Kingston, RI (US)

(72) Inventors: **Chung-Hui Chen**, New Taipei (TW); **Wen-Sung Wu**, New Taipei (TW); **Gabriela Isabel Barraza Rubio**, Nuevo Leon (MX); **Shie-Hang Liao**, Caotun Township (TW)

(73) Assignee: **SCHNEIDER ELECTRIC IT CORPORATION**, West Kingston, RI (US)

(**) Term: **15 Years**

(21) Appl. No.: **29/617,259**

(22) Filed: **Sep. 13, 2017**

(51) **LOC (11) Cl.** **13-02**

(52) **U.S. Cl.**
USPC **D13/110**

(58) **Field of Classification Search**
USPC D13/107–110, 118–119, 184, 199;
D14/251, 253, 432, 434
CPC Y02E 60/12; Y02T 90/14; Y02T 90/122;
Y02T 90/128; Y02T 90/163; H02J 7/025;
H02J 7/0042; H02J 7/0044; H02J 7/0045;
H02J 7/0003; H01F 38/14; H01R
13/6675; H01M 2/1022; H01M 2/1055;
H01M 10/44; H01M 10/46; H01M
10/425; B60L 11/182
See application file for complete search history.

(56) **References Cited**

U.S. PATENT DOCUMENTS

D509,184 S 9/2005 Schuttler et al.
D530,276 S 10/2006 Albano et al.

D601,956 S 10/2009 Liu et al.
D606,937 S 12/2009 Brookshire et al.
D733,043 S * 6/2015 Hasbrook D13/103
D733,051 S * 6/2015 Wang D13/103
D742,310 S * 11/2015 Yen D13/108
D763,790 S * 8/2016 Lei D13/108
D769,188 S * 10/2016 Miller D13/107
D797,044 S * 9/2017 Miller D13/108
D804,416 S * 12/2017 Dilley D13/110
D811,327 S * 2/2018 Mueller D13/110
D819,565 S * 6/2018 Baacke D13/110
D821,311 S * 6/2018 Beer D13/110
D824,328 S * 7/2018 Liu D13/108
D829,170 S * 9/2018 Gleave D13/110

* cited by examiner

Primary Examiner — Rosemary K Tarcza

(74) *Attorney, Agent, or Firm* — Lando & Anastasi, LLP

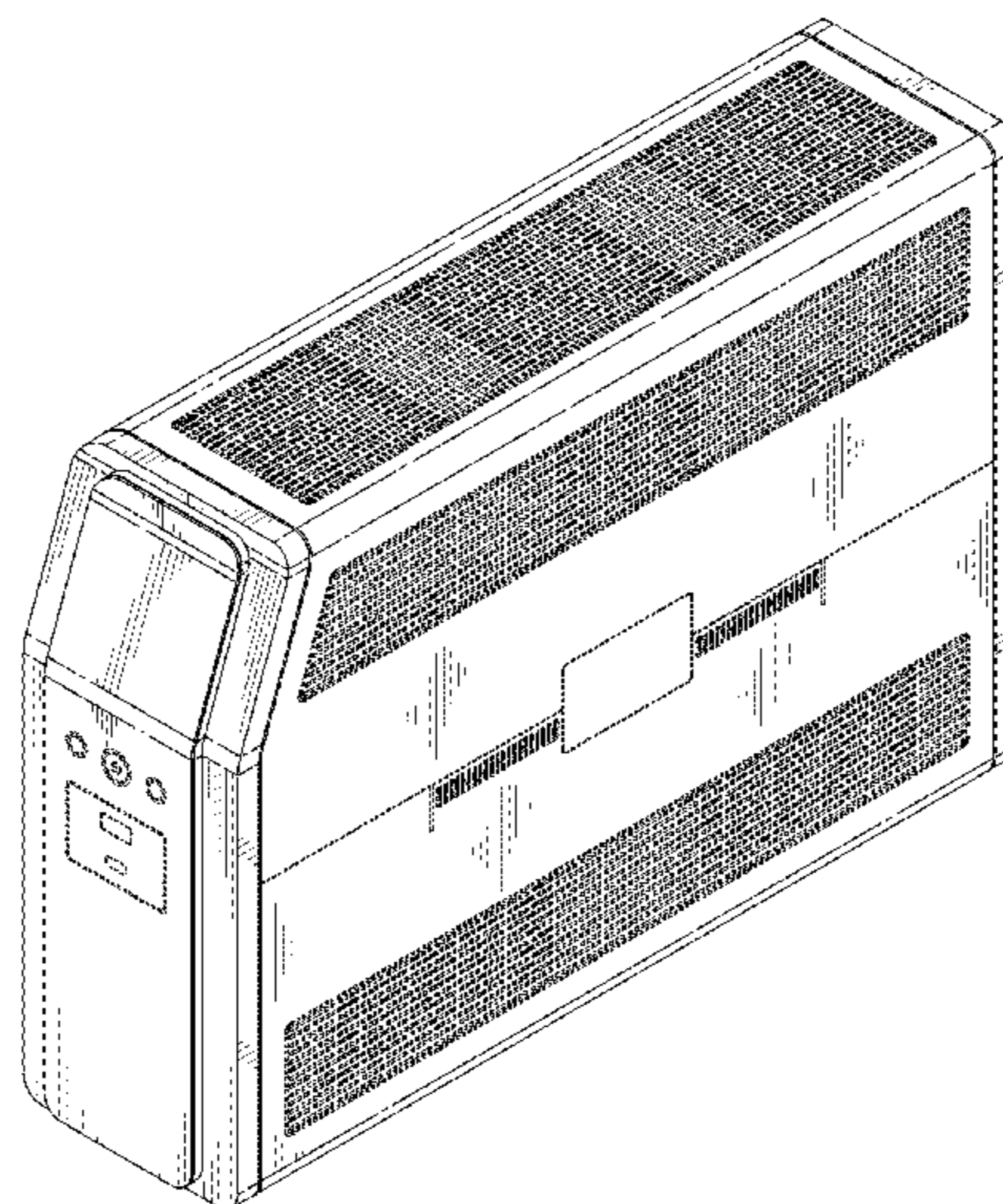
(57) **CLAIM**

The ornamental design for an uninterruptible power supply, as shown and described.

DESCRIPTION

FIG. 1 is a perspective view of an uninterruptible power supply, showing our new design;
FIG. 2 is a front elevational view thereof;
FIG. 3 is a back elevational view thereof;
FIG. 4 is a right side elevational view thereof;
FIG. 5 is a left side elevational view thereof;
FIG. 6 is a top plan view thereof; and,
FIG. 7 is a back elevational view thereof.
The broken lines shown in the drawings are for the purpose of illustrating portions of the uninterruptible power supply that form no part of the claimed design.

1 Claim, 7 Drawing Sheets



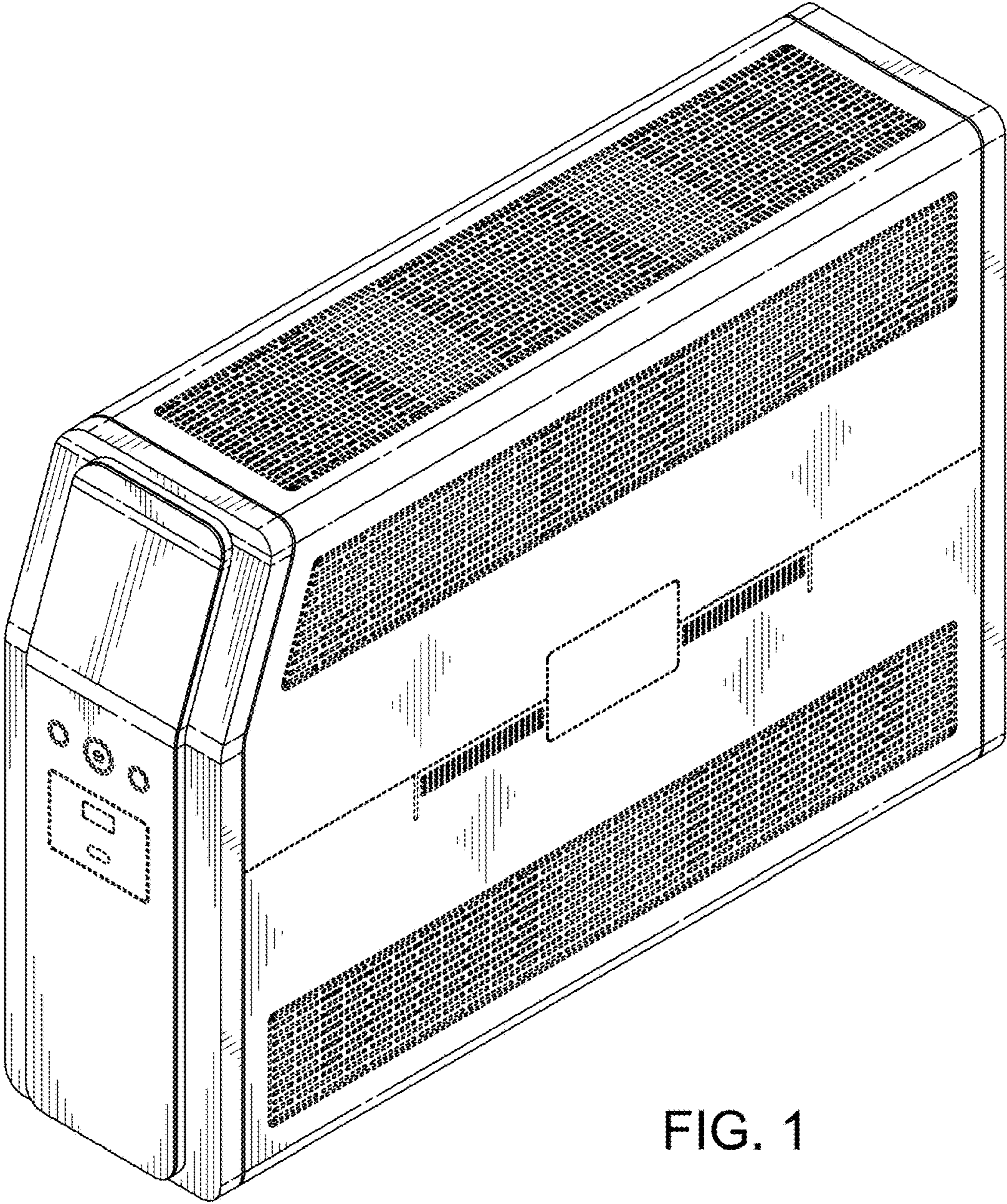


FIG. 1

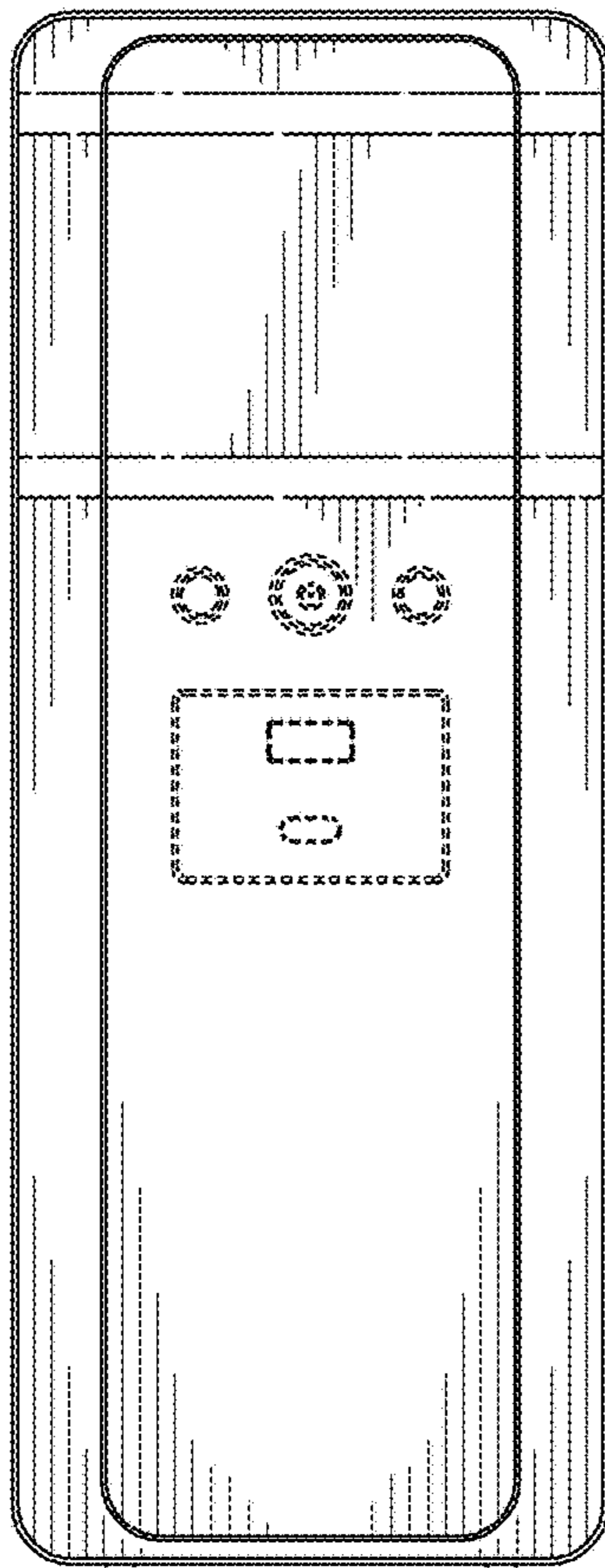


FIG. 2

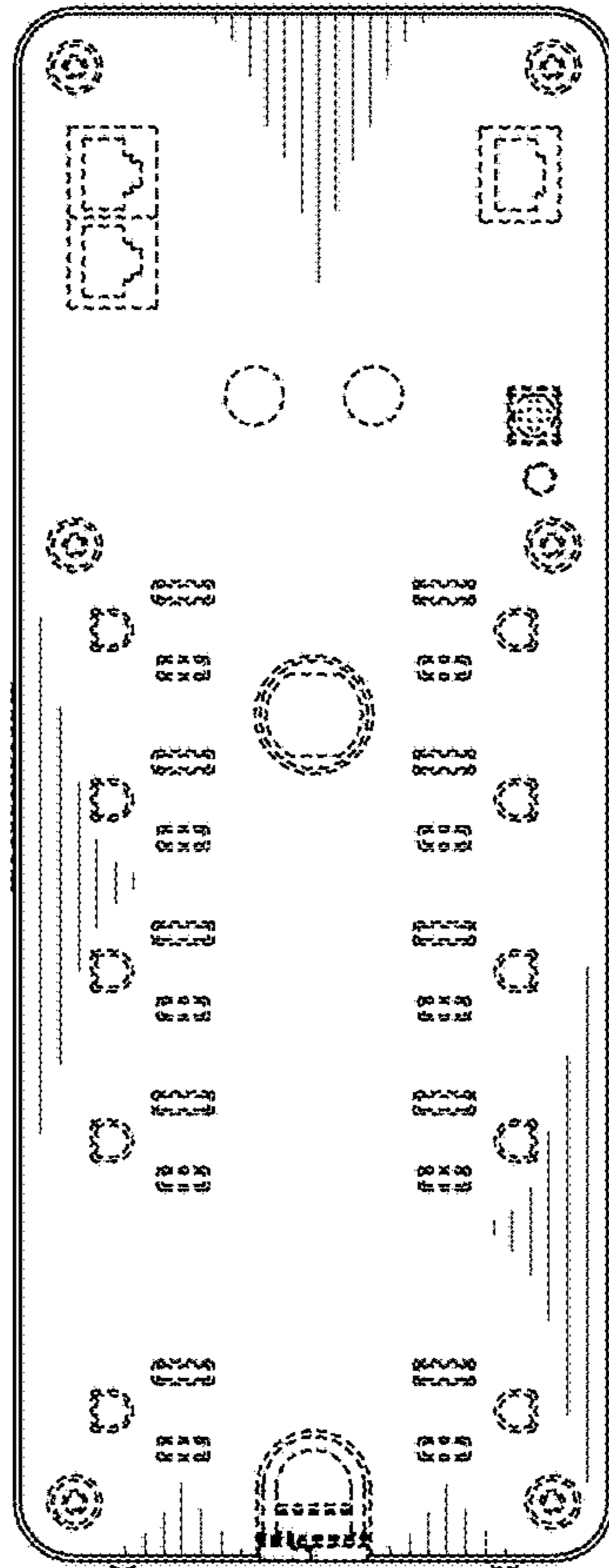


FIG. 3

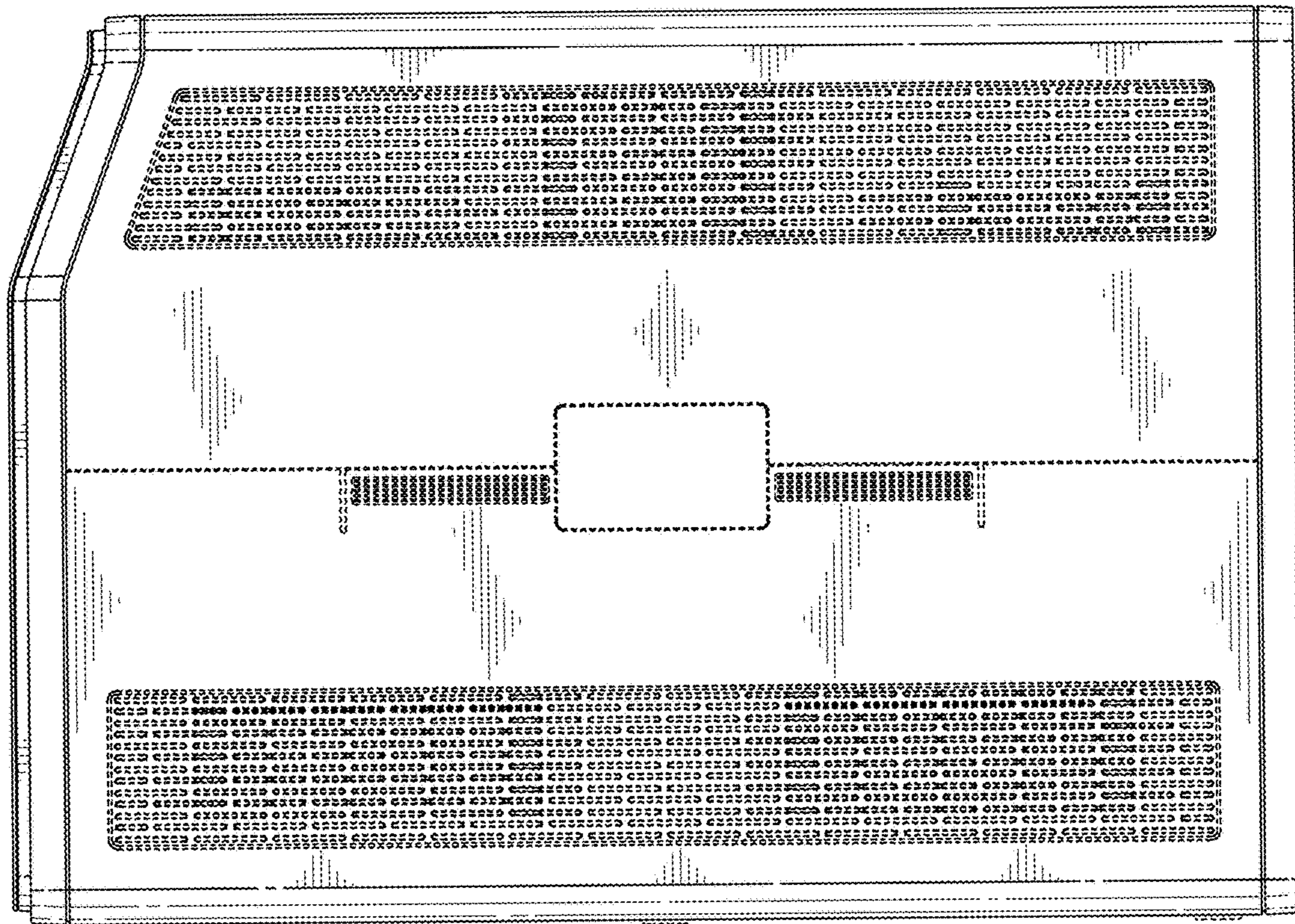


FIG. 4

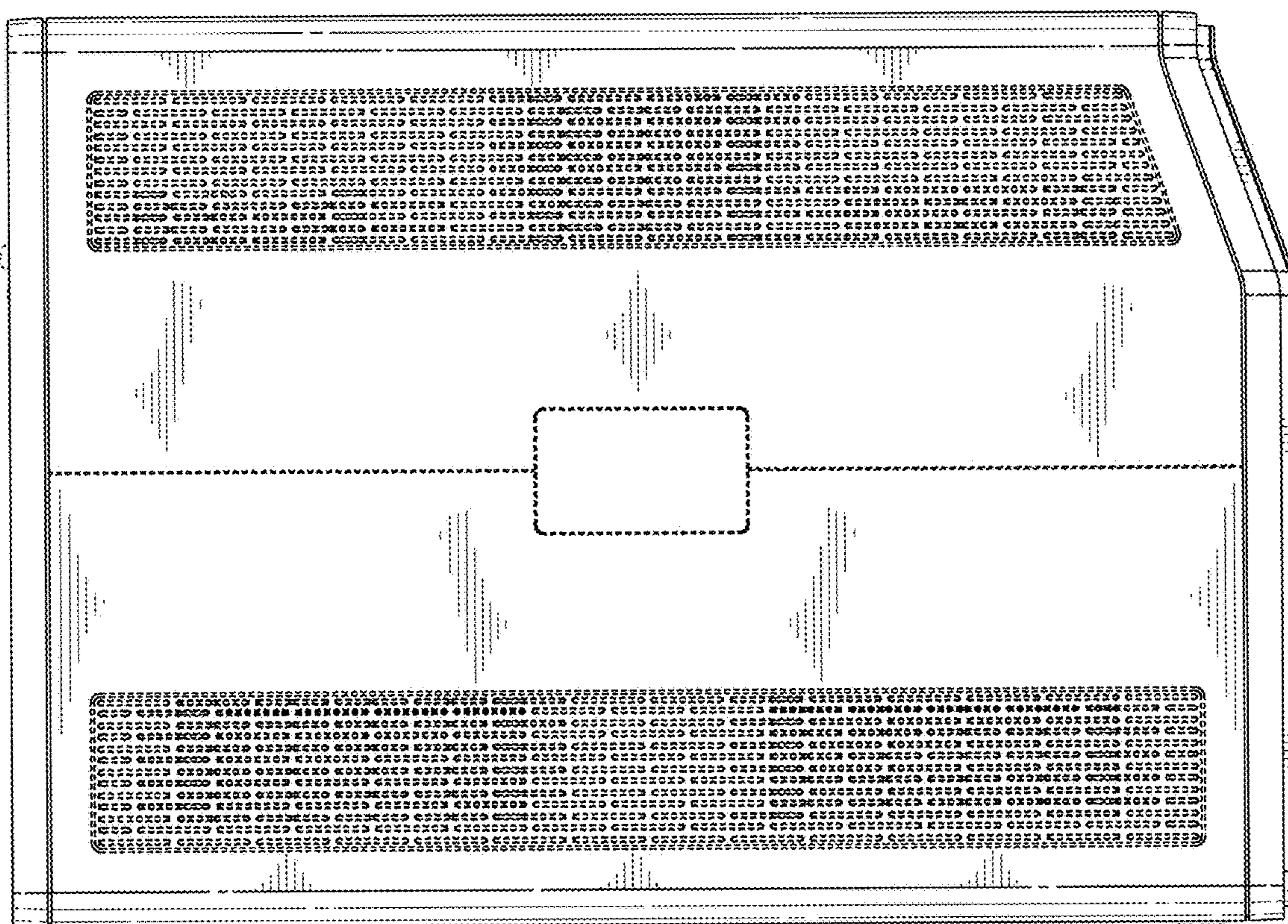


FIG. 5

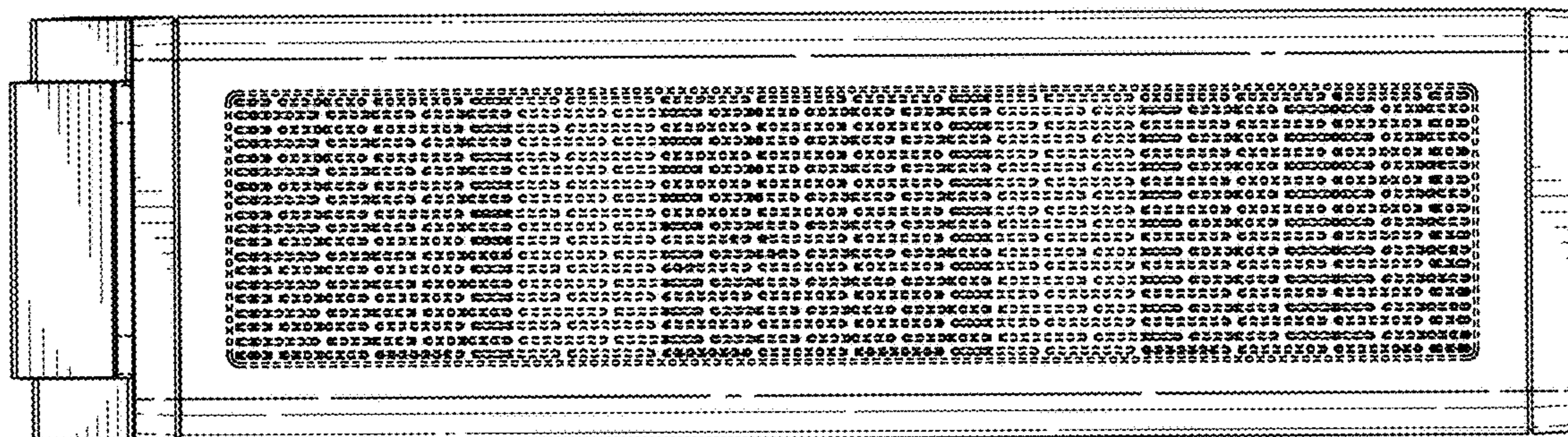


FIG. 6

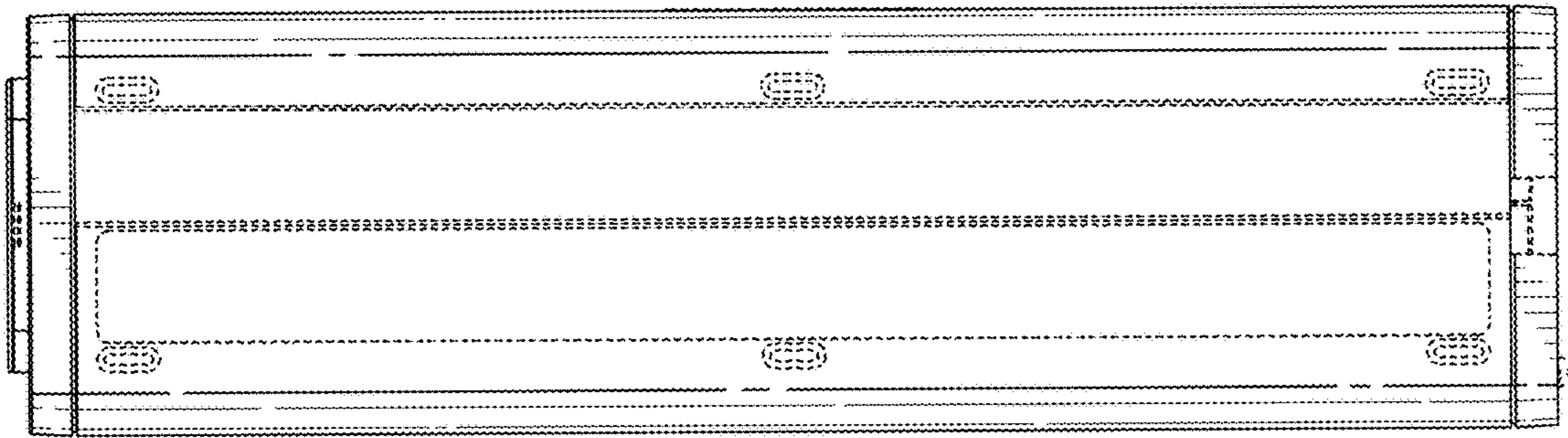


FIG. 7