

US00D842804S

(12) **United States Design Patent**
Tong

(10) **Patent No.:** **US D842,804 S**

(45) **Date of Patent:** **** Mar. 12, 2019**

- (54) **CHARGER WITH NIGHT LIGHT**
- (71) Applicant: **SHENZHEN YUSHUOXIN ELECTRONICS CO., LTD**, Shenzhen, Guangdong (CN)
- (72) Inventor: **Lan Tong**, Huizhou (CN)
- (73) Assignee: **SHENZHEN YUSHUOXIN ELECTRONICS CO., LTD**, Shenzhen, Guangdong (CN)

D732,472 S *	6/2015	Laffon	D13/110
D734,260 S *	7/2015	Cypress	D13/110
D762,173 S *	7/2016	Solomon	D13/110
D791,700 S *	7/2017	Loewen	D13/108
D796,432 S *	9/2017	Liu	D13/107
D809,456 S *	2/2018	Miller	D13/110
D819,566 S *	6/2018	Hung	D13/110
D820,207 S *	6/2018	Lemelson	D13/110
D820,208 S *	6/2018	Lemelson	D13/110
D820,209 S *	6/2018	Lemelson	D13/110

* cited by examiner

(**) Term: **15 Years**

Primary Examiner — Rosemary K Tarcaza

(21) Appl. No.: **29/597,698**

(74) *Attorney, Agent, or Firm* — Li & Cai Intellectual Property (USA) Office

(22) Filed: **Mar. 20, 2017**

(51) **LOC (11) Cl.** **13-02**

(57) **CLAIM**

(52) **U.S. Cl.**
USPC **D13/108**

The ornamental design for a charger with night light, as shown and described.

(58) **Field of Classification Search**
USPC D13/107–110, 118–119, 184, 199;
D14/251, 253, 432, 434
CPC Y02E 60/12; Y02T 90/14; Y02T 90/122;
Y02T 90/128; Y02T 90/163; H02J 7/025;
H02J 7/0042; H02J 7/0044; H02J 7/0045;
H02J 7/0003; H01F 38/14; H01R
13/6675; H01M 2/1022; H01M 2/1055;
H01M 10/44; H01M 10/46; H01M
10/425; B60L 11/182
See application file for complete search history.

DESCRIPTION

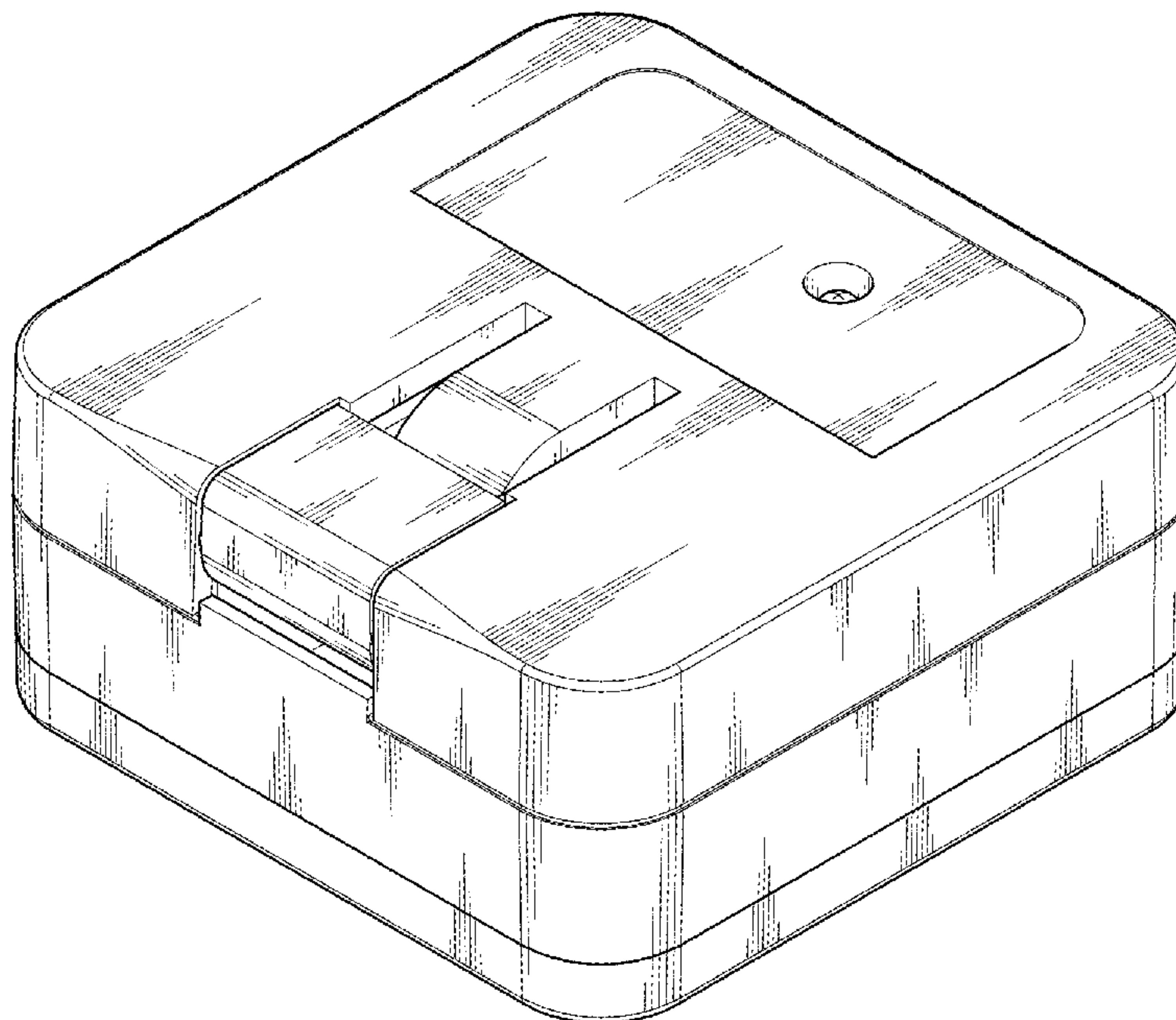
FIG. 1 is a top perspective view of a charger with night light showing our new design;
FIG. 2 is a front view thereof;
FIG. 3 is a rear view thereof;
FIG. 4 is a left side view thereof;
FIG. 5 is a right side view thereof;
FIG. 6 is a top view thereof;
FIG. 7 is a bottom view thereof;
FIG. 8 is a bottom perspective view thereof; and,
FIG. 9 is a top perspective view thereof, shown in an alternate position.

(56) **References Cited**

U.S. PATENT DOCUMENTS

D687,375 S *	8/2013	Franco	D13/108
D711,824 S *	8/2014	Matsuoka	D13/110

1 Claim, 7 Drawing Sheets



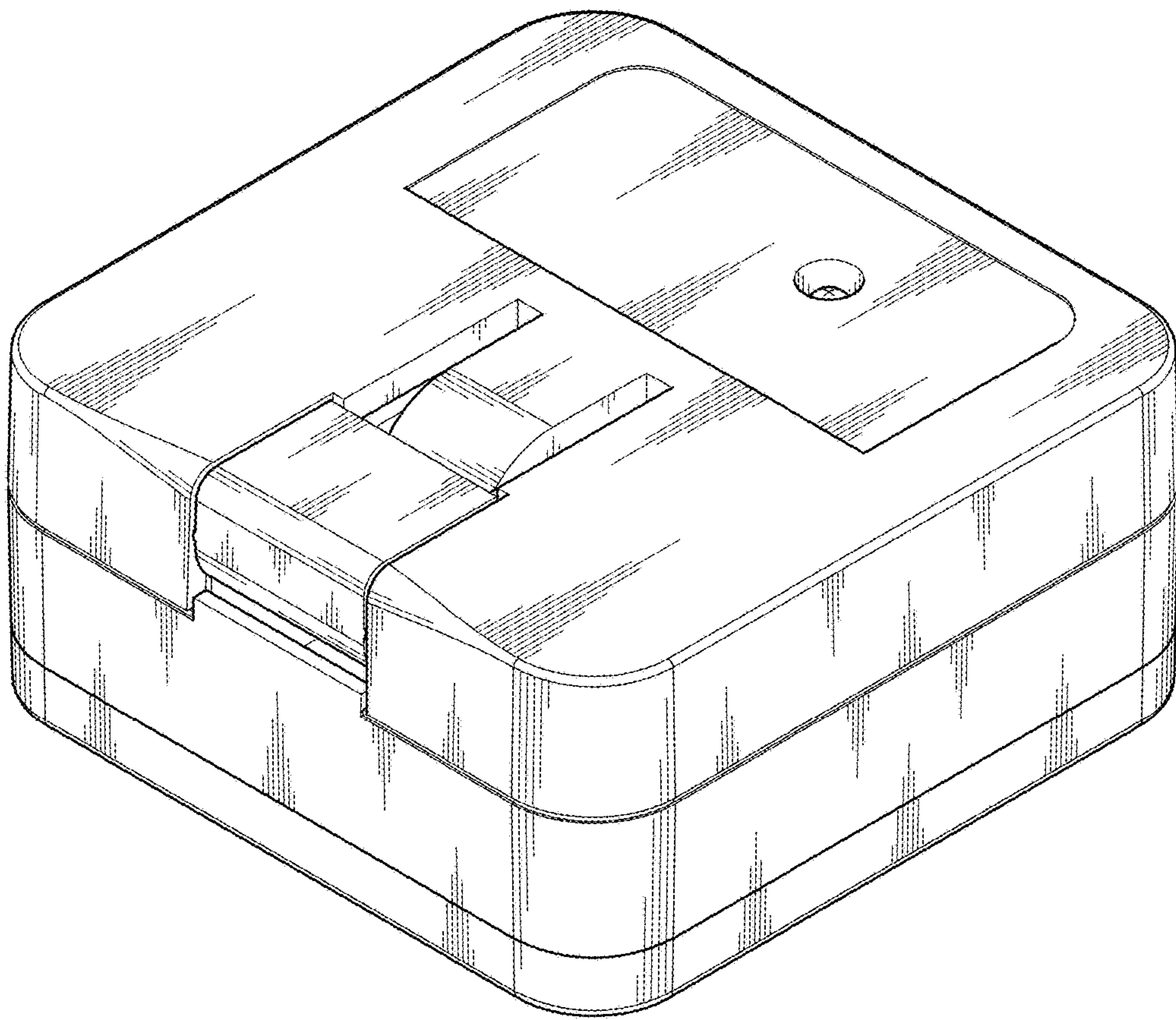


FIG. 1

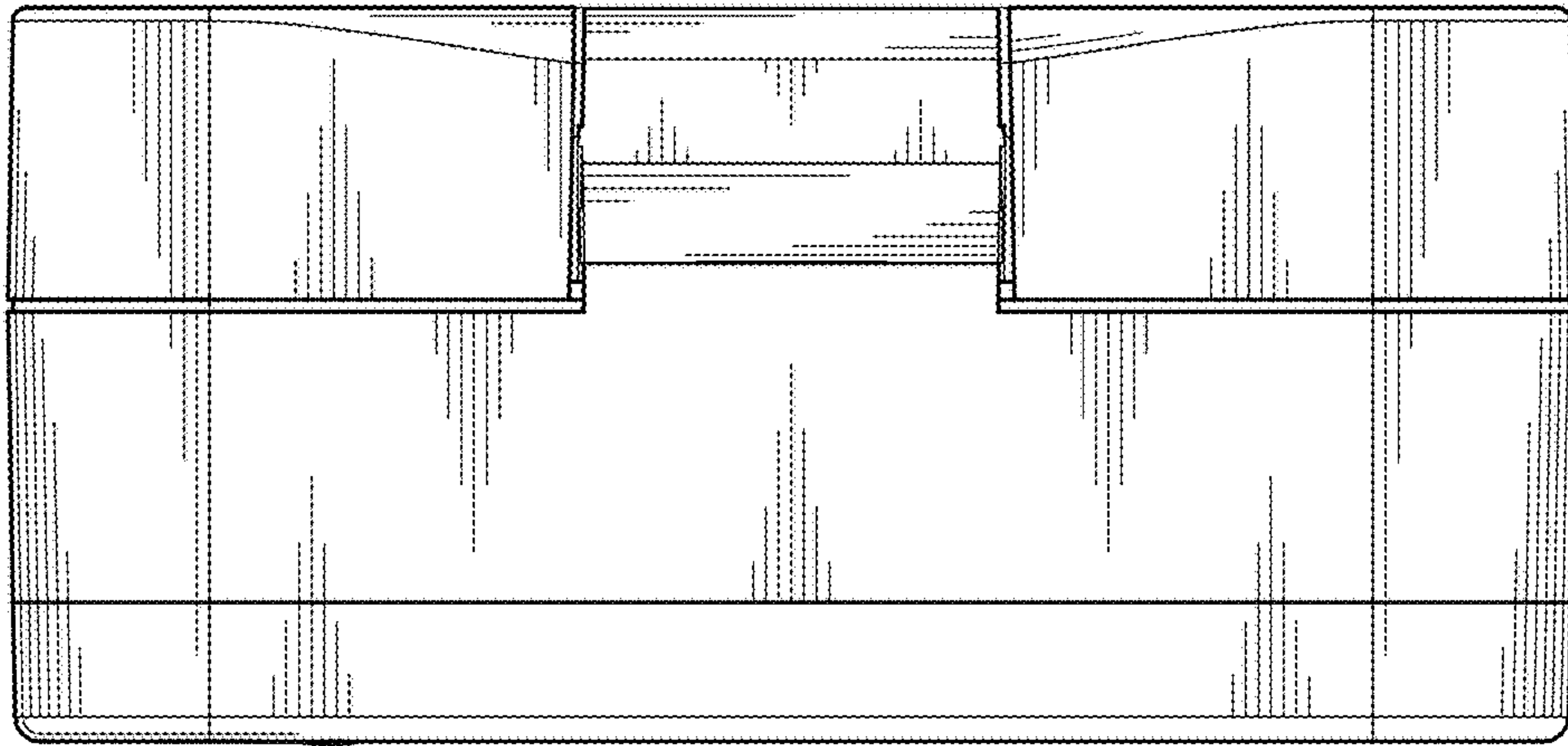


FIG. 2

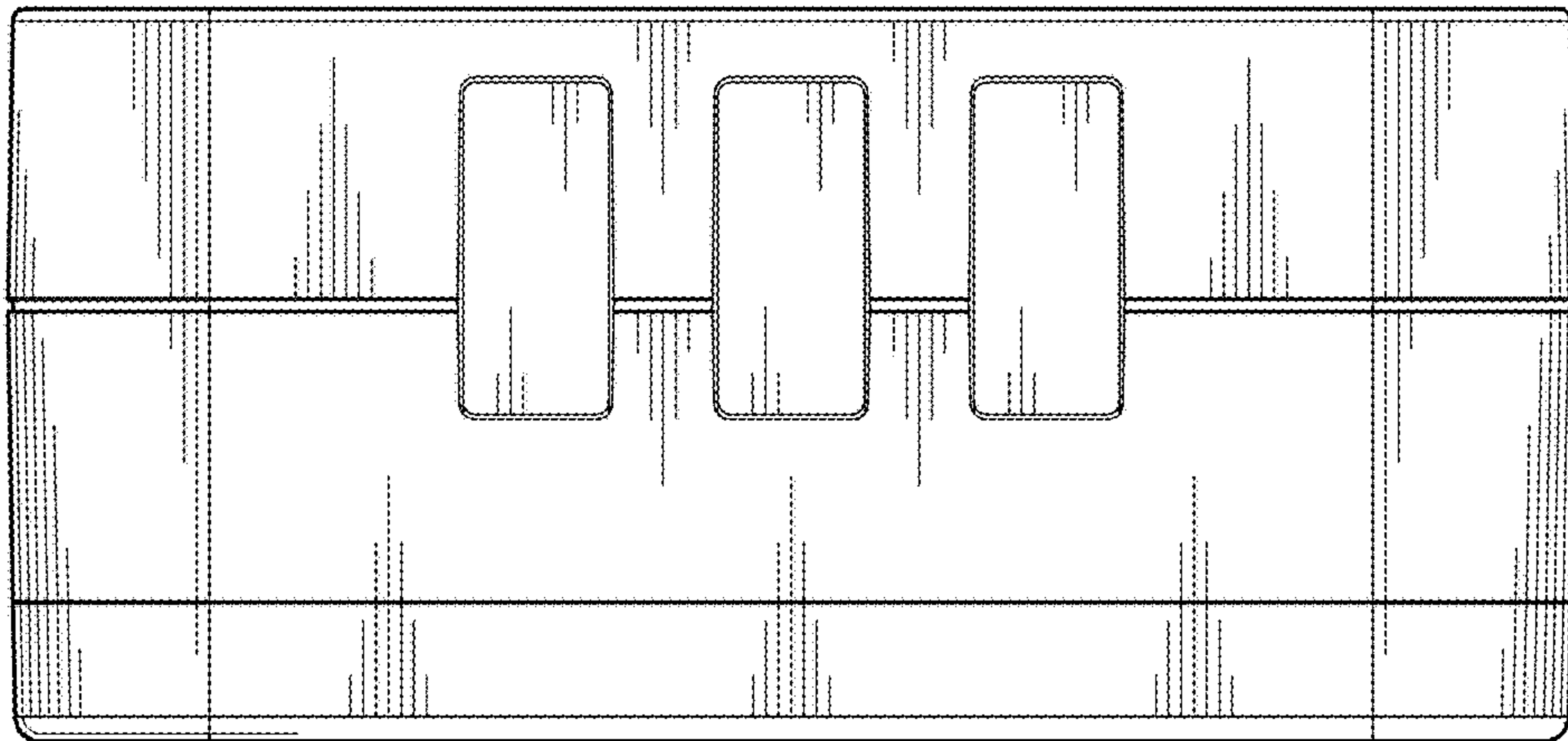


FIG. 3

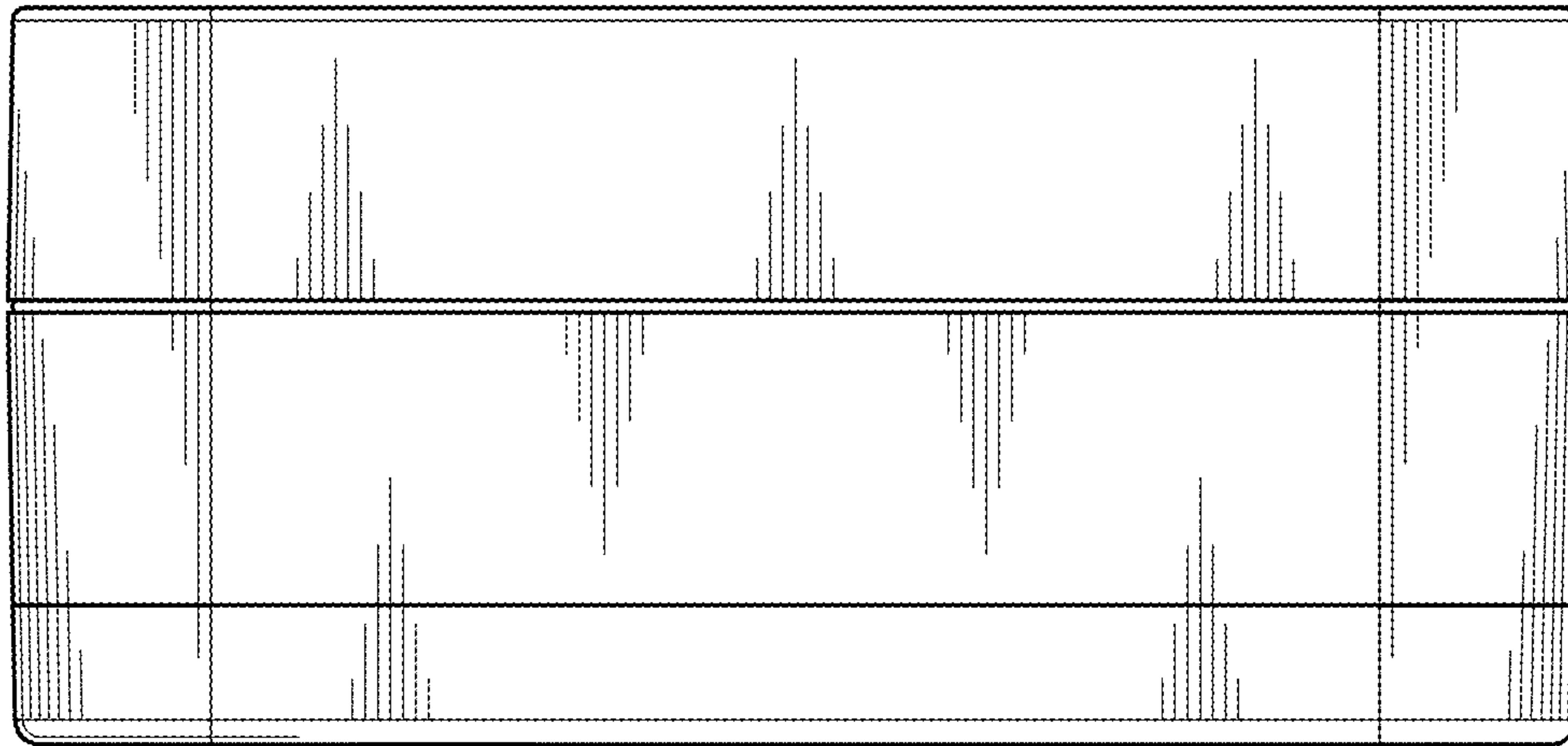


FIG. 4

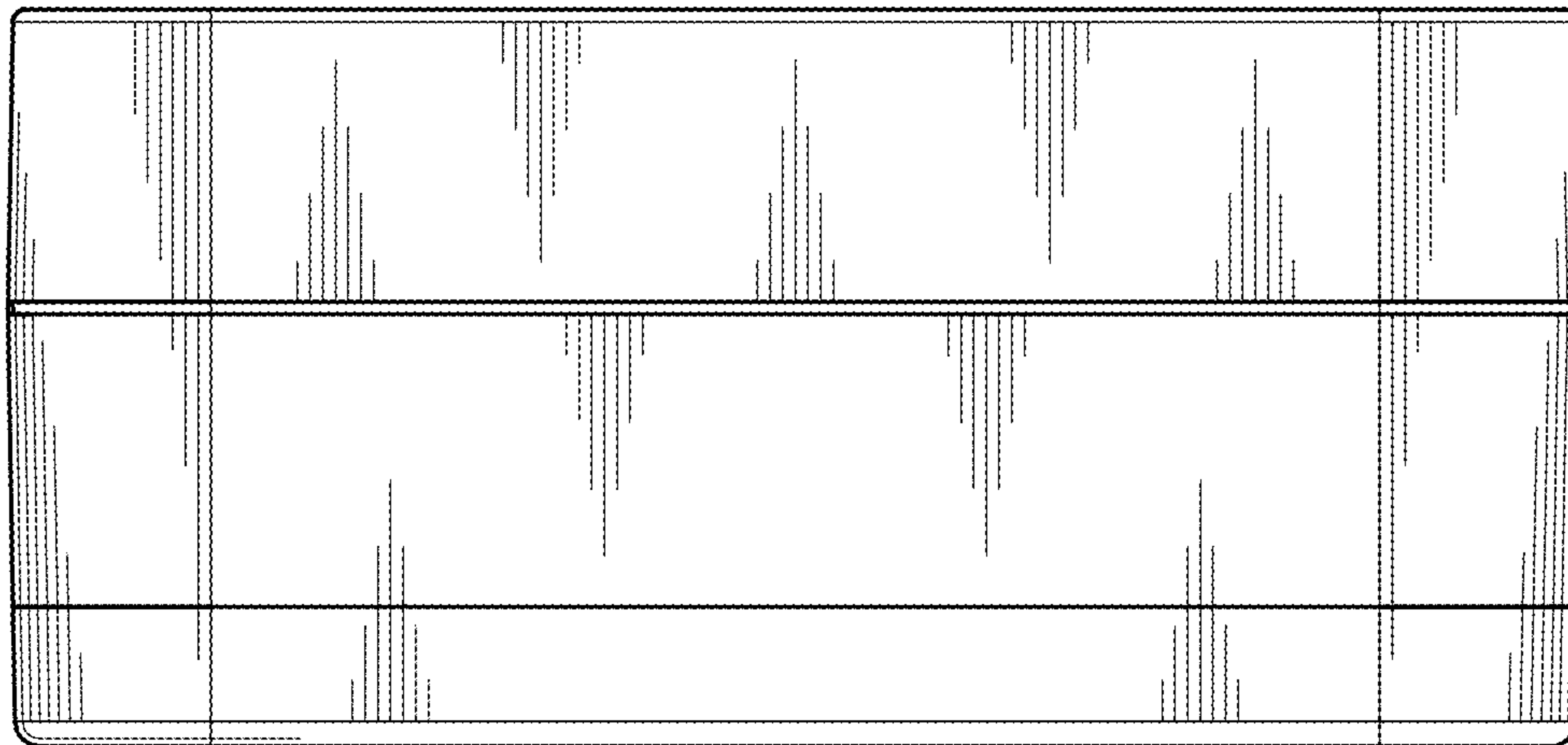


FIG. 5

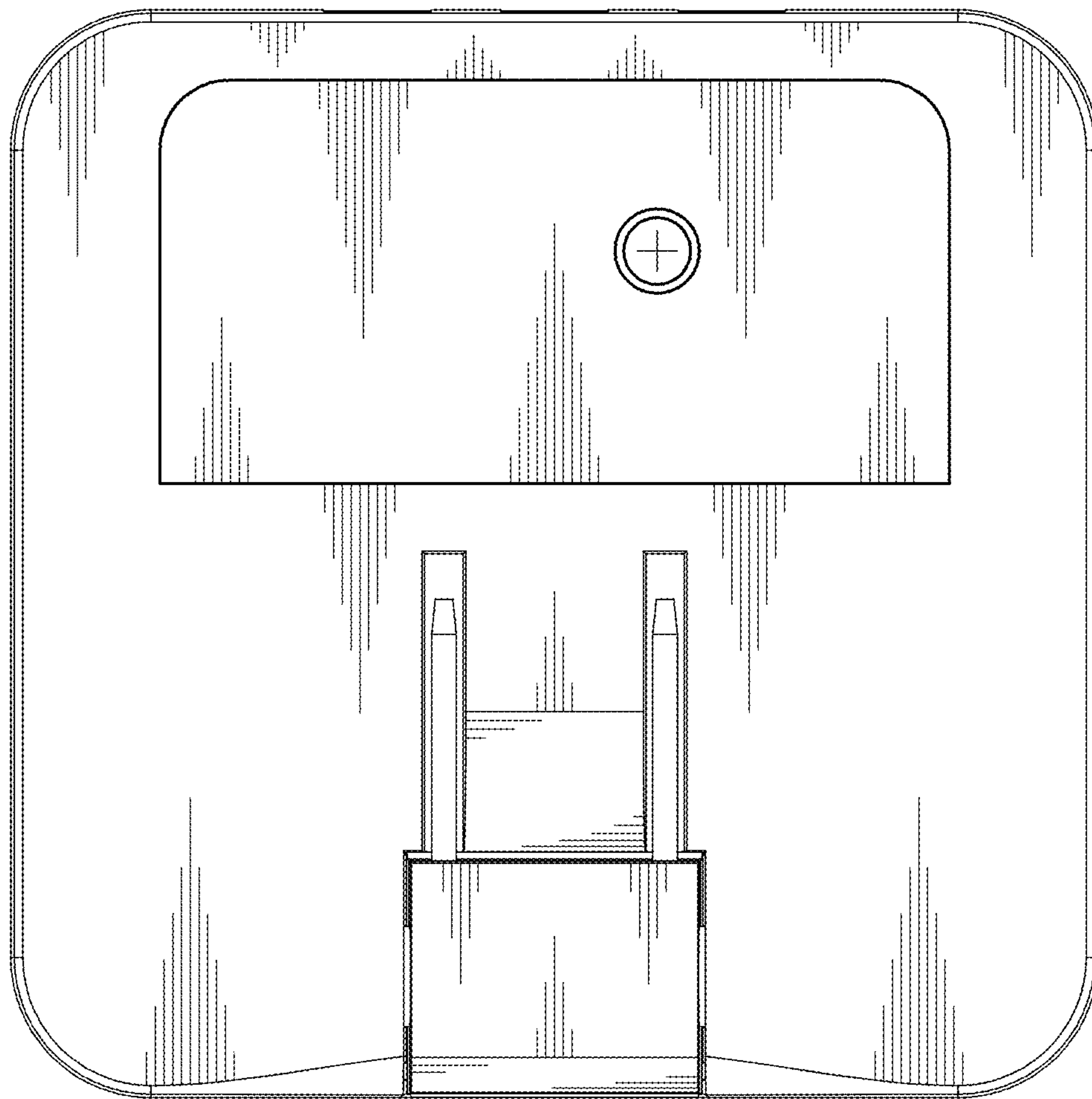


FIG. 6

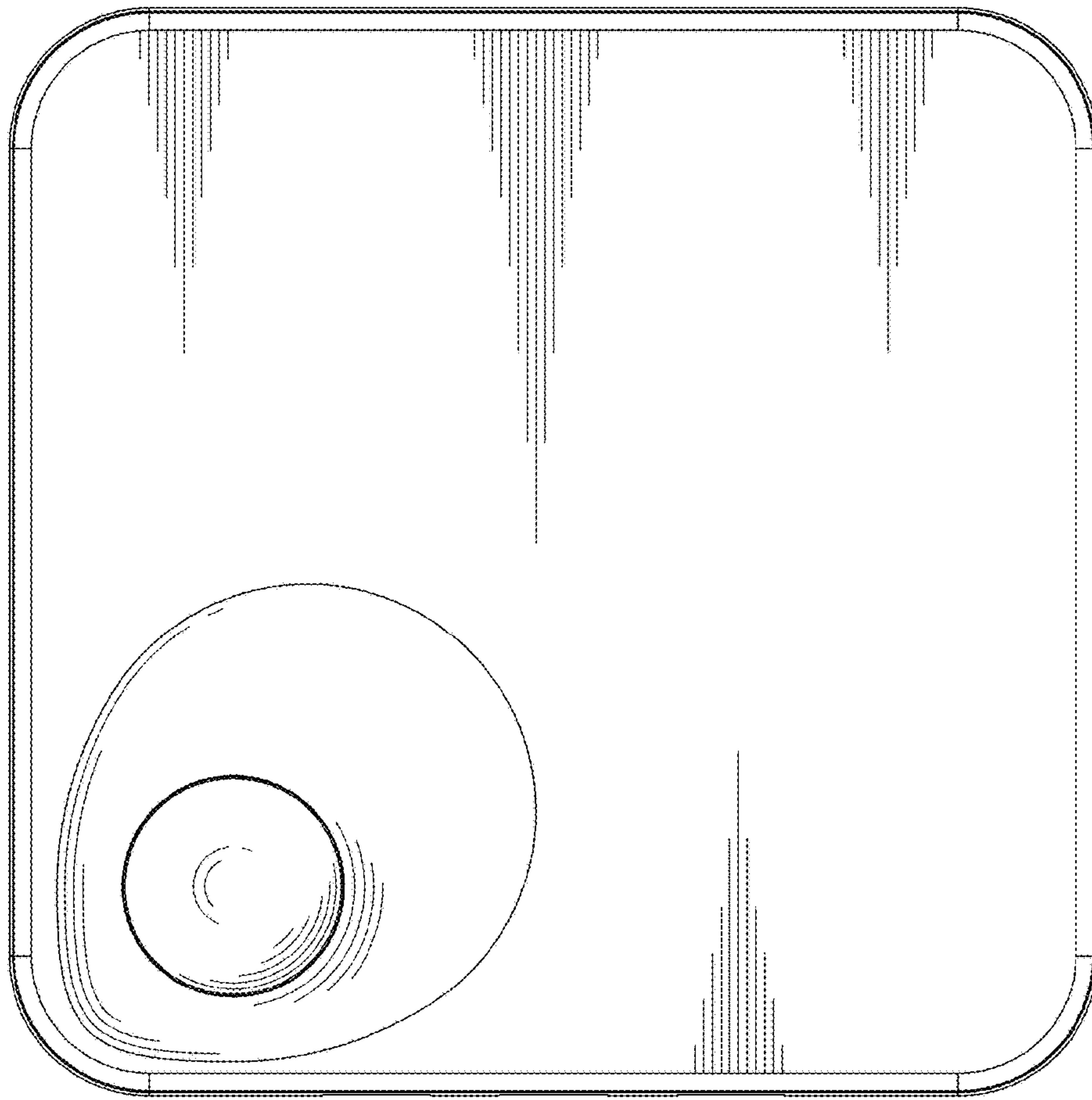


FIG. 7

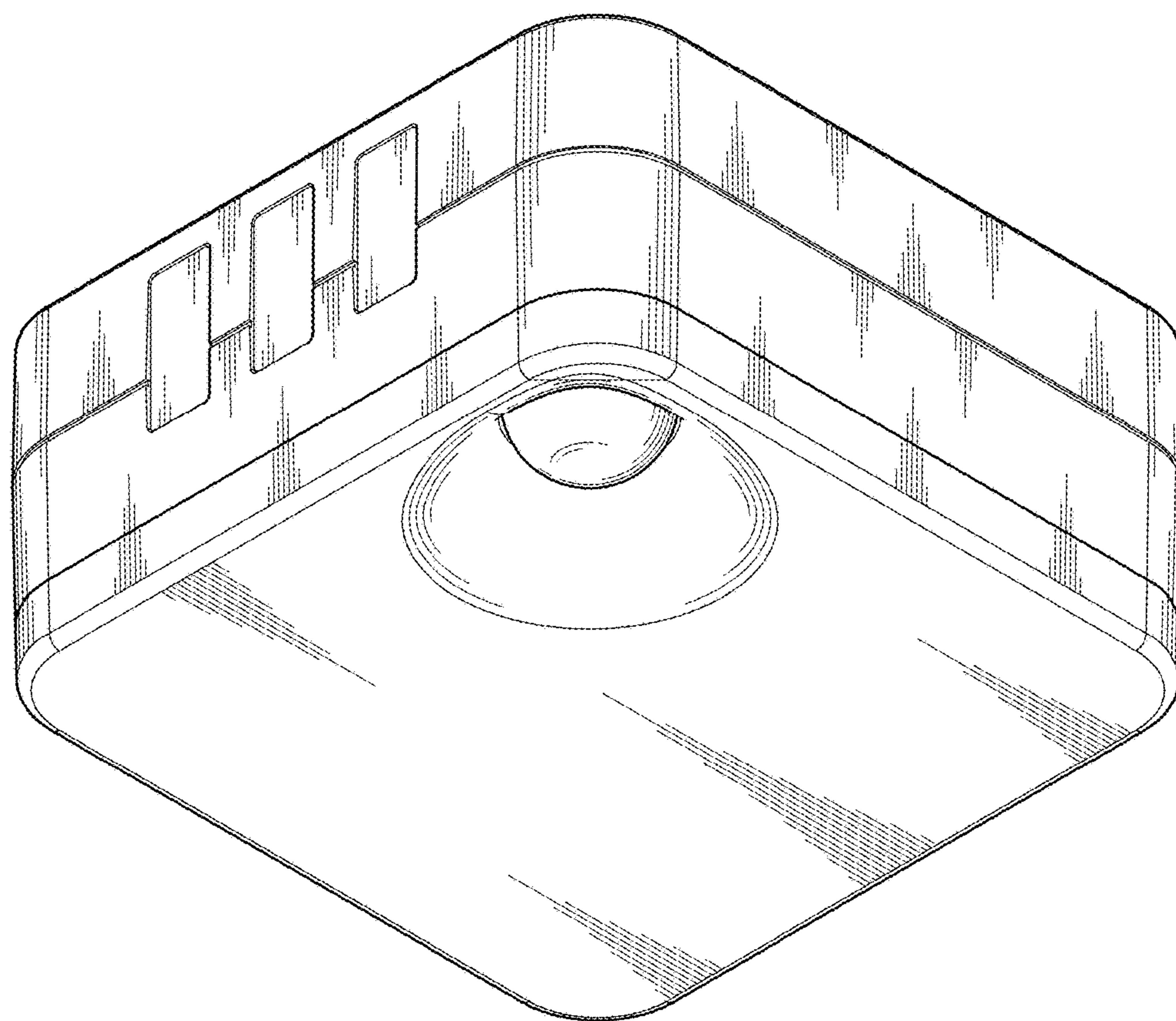


FIG. 8

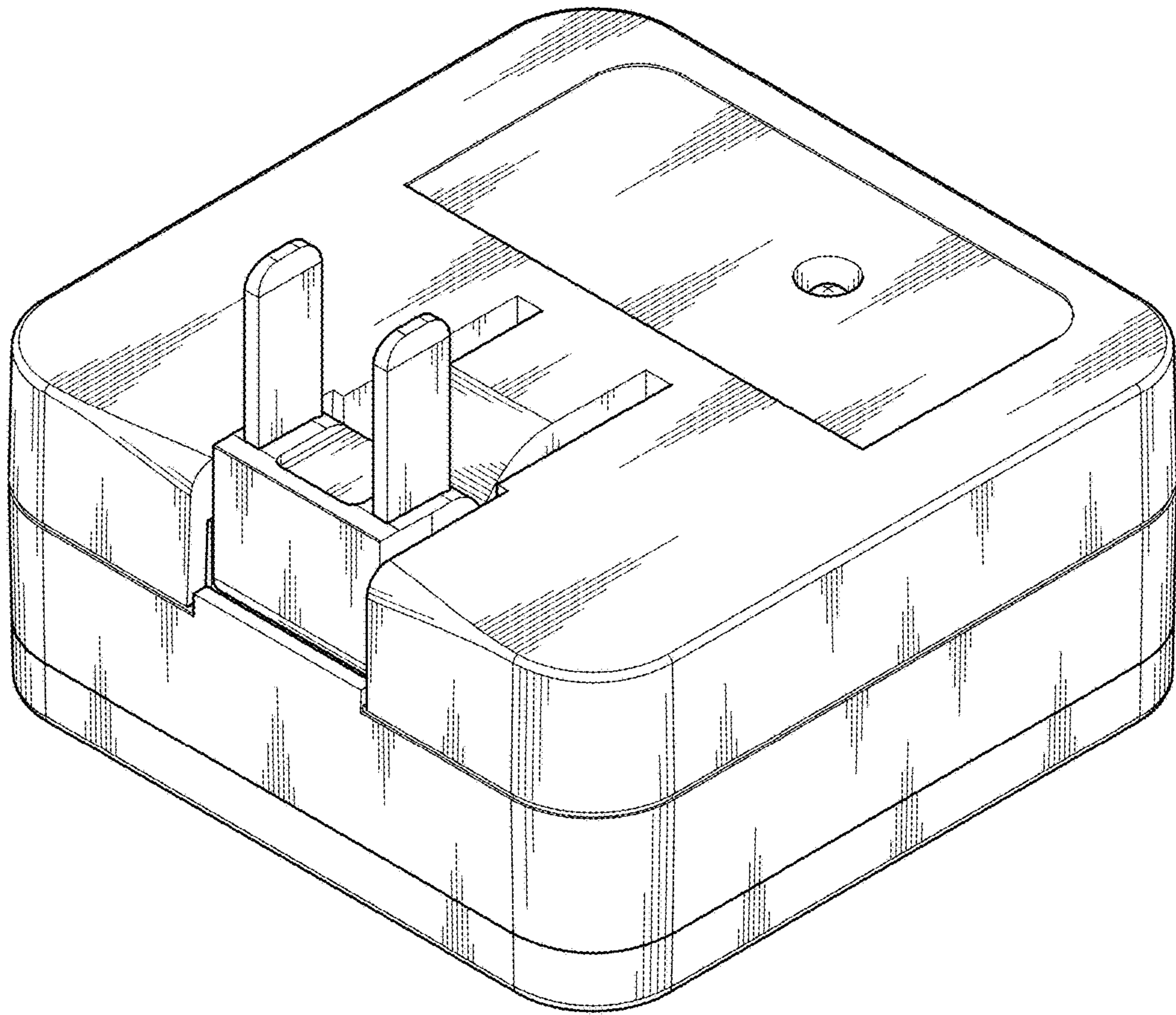


FIG. 9