



US00D842803S

(12) **United States Design Patent**
Nishizawa

(10) **Patent No.:** **US D842,803 S**
(45) **Date of Patent:** **** Mar. 12, 2019**

- (54) **BATTERY CHARGER FOR AN ELECTRONIC PEN**
- (71) Applicant: **Wacom Co., Ltd.**, Kazo-shi, Saitama (JP)
- (72) Inventor: **Naoya Nishizawa**, Tokyo (JP)
- (73) Assignee: **Wacom Co., Ltd.**, Kazo-shi (JP)
- (**) Term: **15 Years**
- (21) Appl. No.: **29/594,477**
- (22) Filed: **Feb. 17, 2017**
- (30) **Foreign Application Priority Data**

Aug. 22, 2016 (JP) 2016-017806

- (51) **LOC (11) Cl.** **13-02**
- (52) **U.S. Cl.**
USPC **D13/108**
- (58) **Field of Classification Search**
USPC D13/107-110, 118-119, 184, 199;
D14/251, 253, 432, 434
CPC Y02E 60/12; Y02T 90/14; Y02T 90/122;
Y02T 90/128; Y02T 90/163; H02J 7/025;
H02J 7/0042; H02J 7/0044; H02J 7/0045;
H02J 7/0003; H01F 38/14; H01R
13/6675; H01M 2/1022; H01M 2/1055;
H01M 10/44; H01M 10/46; H01M
10/425; B60L 11/182
See application file for complete search history.

(56) **References Cited**

U.S. PATENT DOCUMENTS

- D587,192 S * 2/2009 McGinley D13/110
- D587,193 S * 2/2009 McGinley D13/110
- D611,409 S * 3/2010 Green D13/110

- D630,592 S 1/2011 Matsuoka
- D660,796 S * 5/2012 Wen D13/110
- D686,987 S * 7/2013 Vanstone D13/108
- D736,148 S * 8/2015 Liu D13/108
- D736,149 S * 8/2015 Liu D13/108
- D736,150 S * 8/2015 Liu D13/108
- D744,419 S * 12/2015 Bowen D13/108
- D787,443 S * 5/2017 Chiang D13/110

* cited by examiner

Primary Examiner — Rosemary K Tarcza

(74) *Attorney, Agent, or Firm* — Christensen O'Connor Johnson Kindness PLLC

(57) **CLAIM**

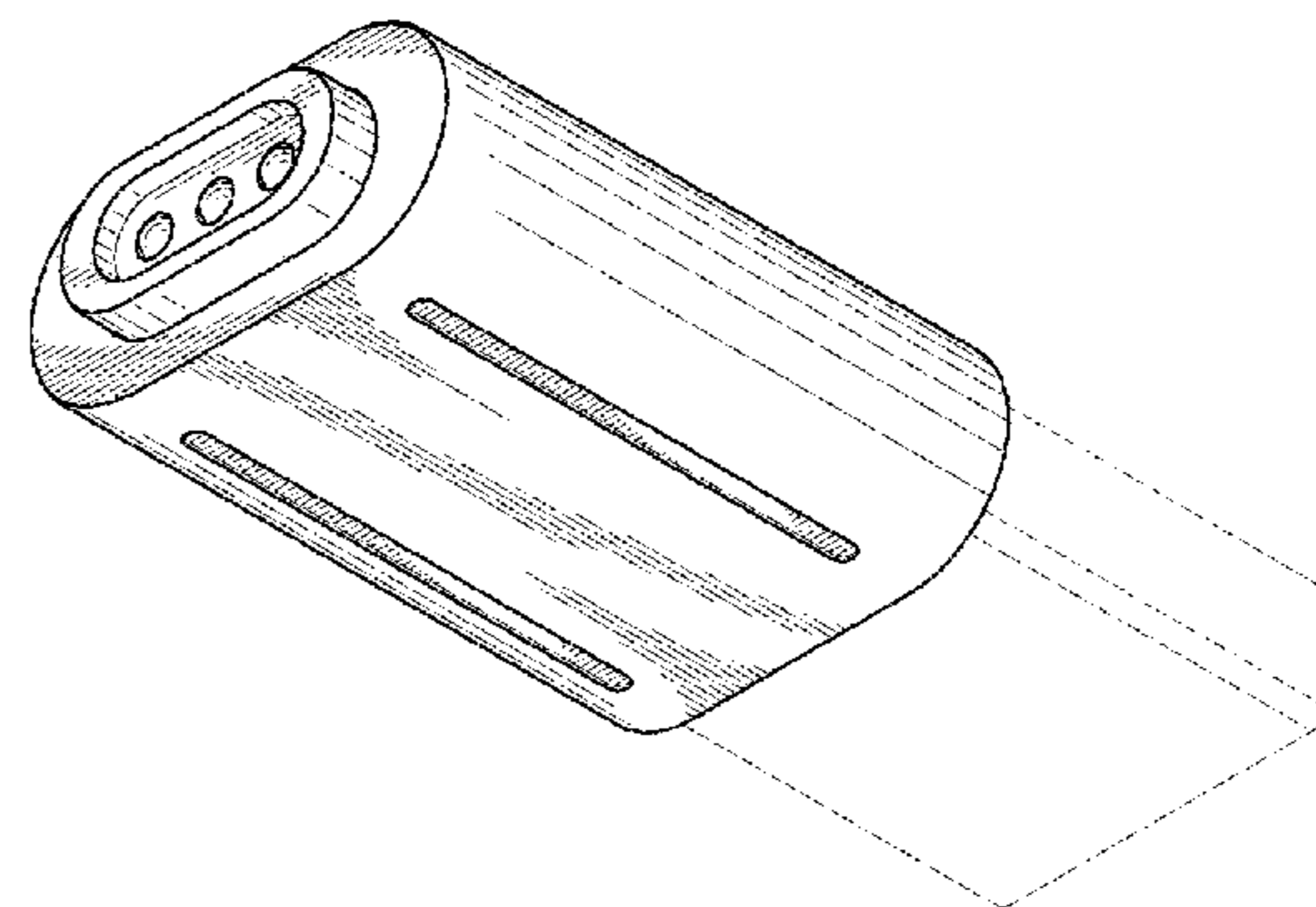
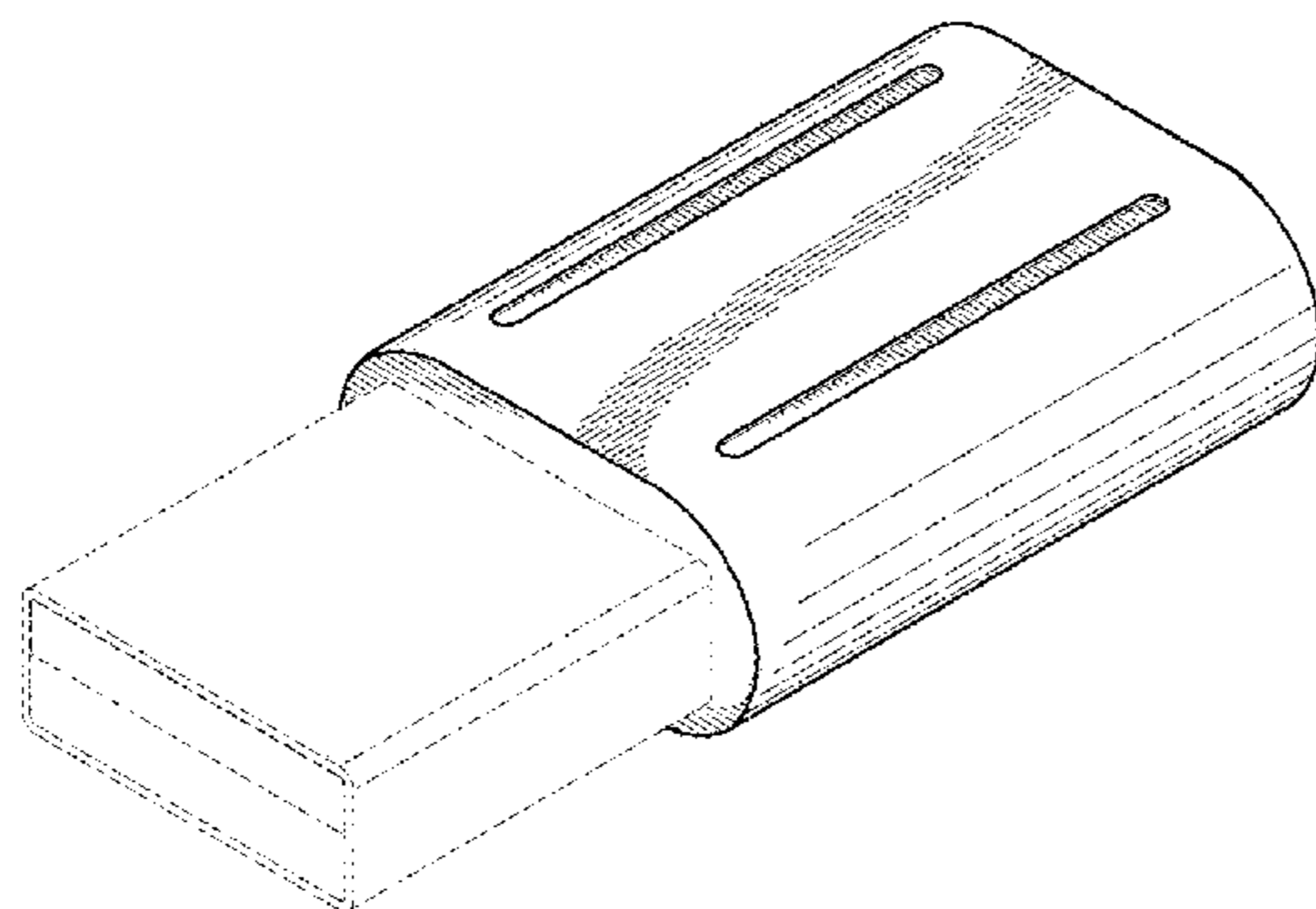
The ornamental design for a battery charger for an electronic pen, as shown and described.

DESCRIPTION

FIG. 1 is a front perspective view of a battery charger for an electronic pen, showing our new design;
 FIG. 2 is a rear perspective view of the battery charger shown in FIG. 1;
 FIG. 3 is a front view of the battery charger shown in FIG. 1;
 FIG. 4 is a rear view of the battery charger shown in FIG. 1;
 FIG. 5 is a top view of the battery charger shown in FIG. 1;
 FIG. 6 is a bottom view of the battery charger shown in FIG. 1;
 FIG. 7 is a left side view of the battery charger shown in FIG. 1; and,
 FIG. 8 is a right side view of the battery charger shown in FIG. 1.

The broken lines in the drawings show portions of the battery charger for an electronic pen which form no part of the claimed design.

1 Claim, 3 Drawing Sheets



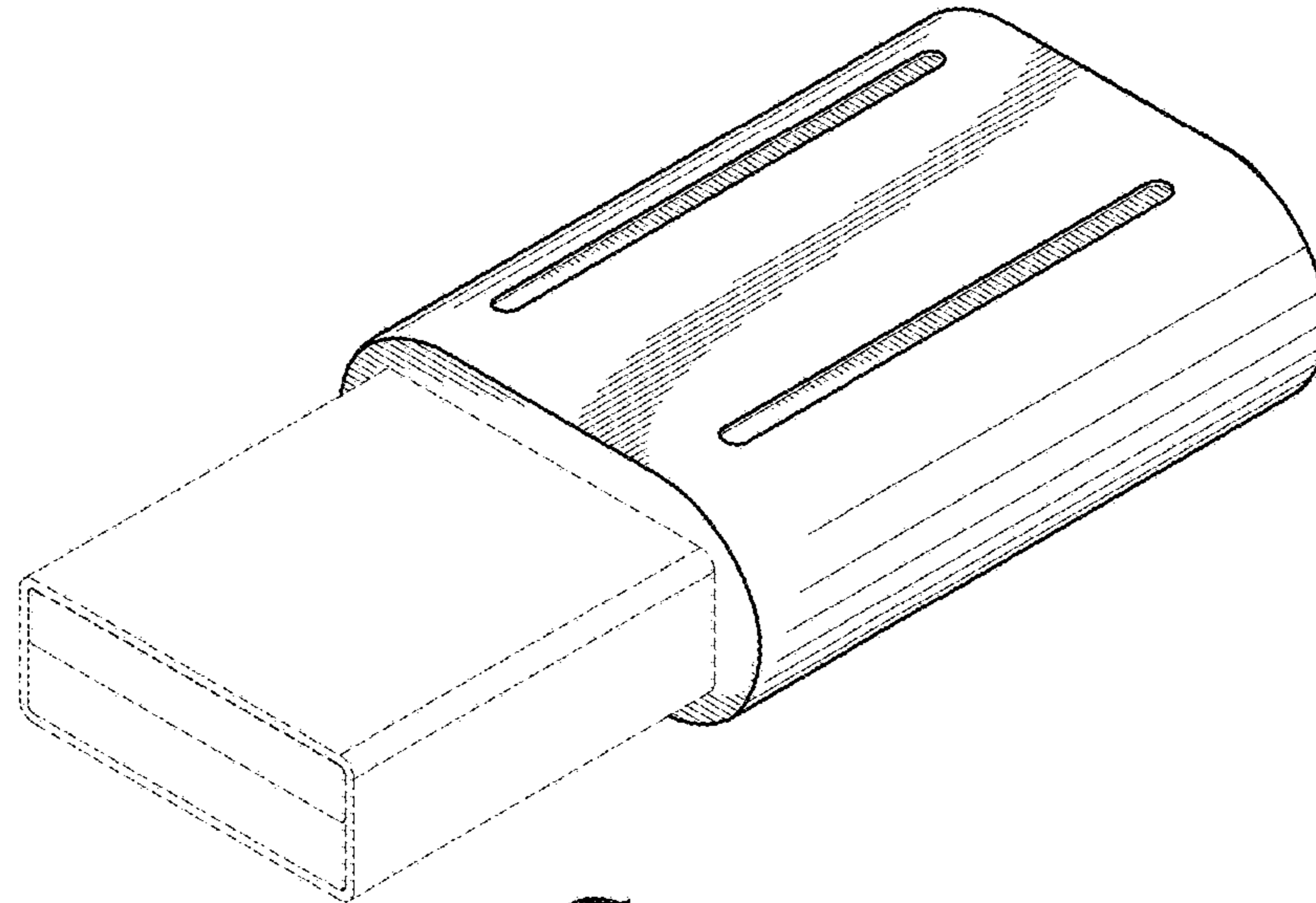


Fig. 1.

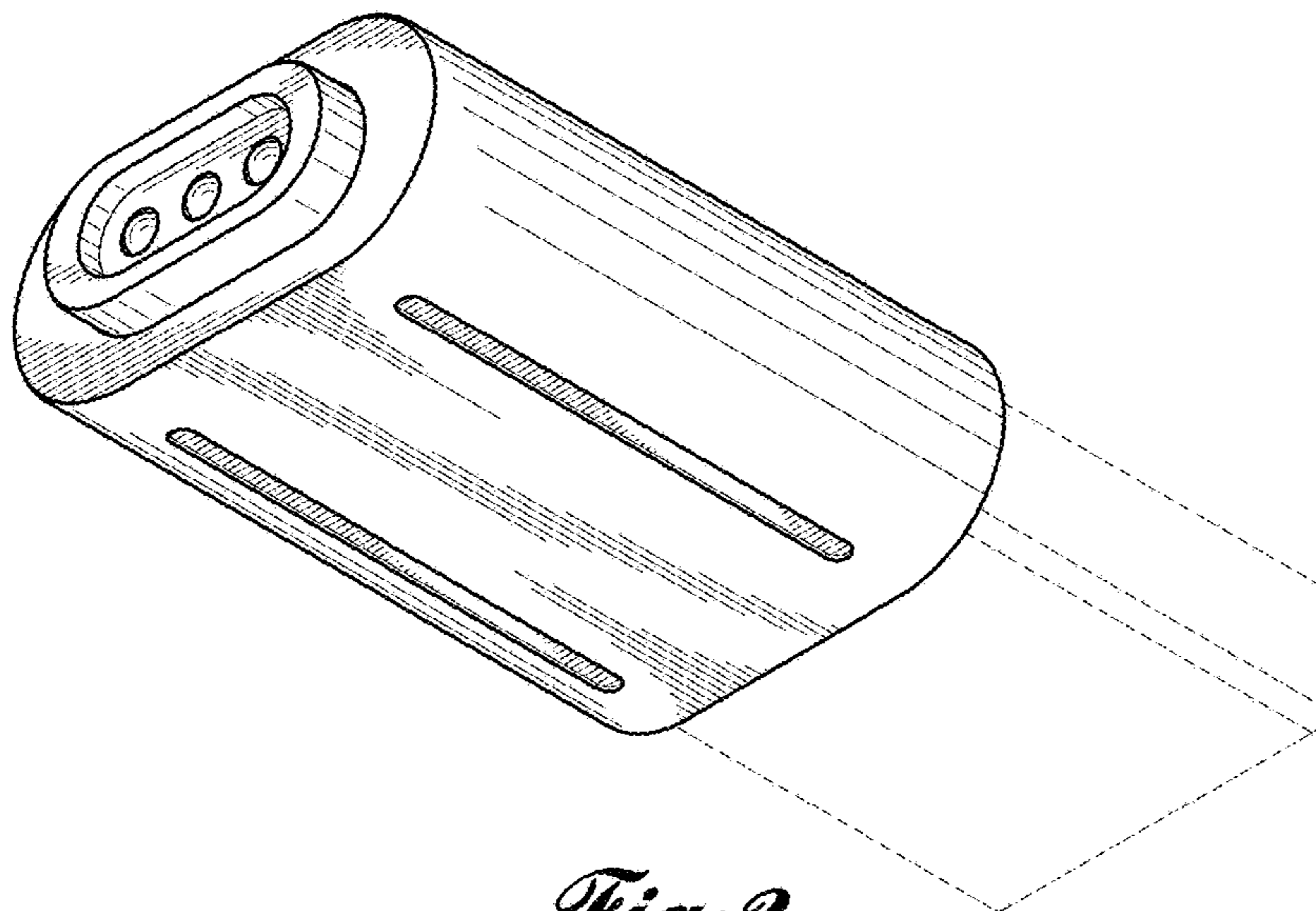


Fig. 2.

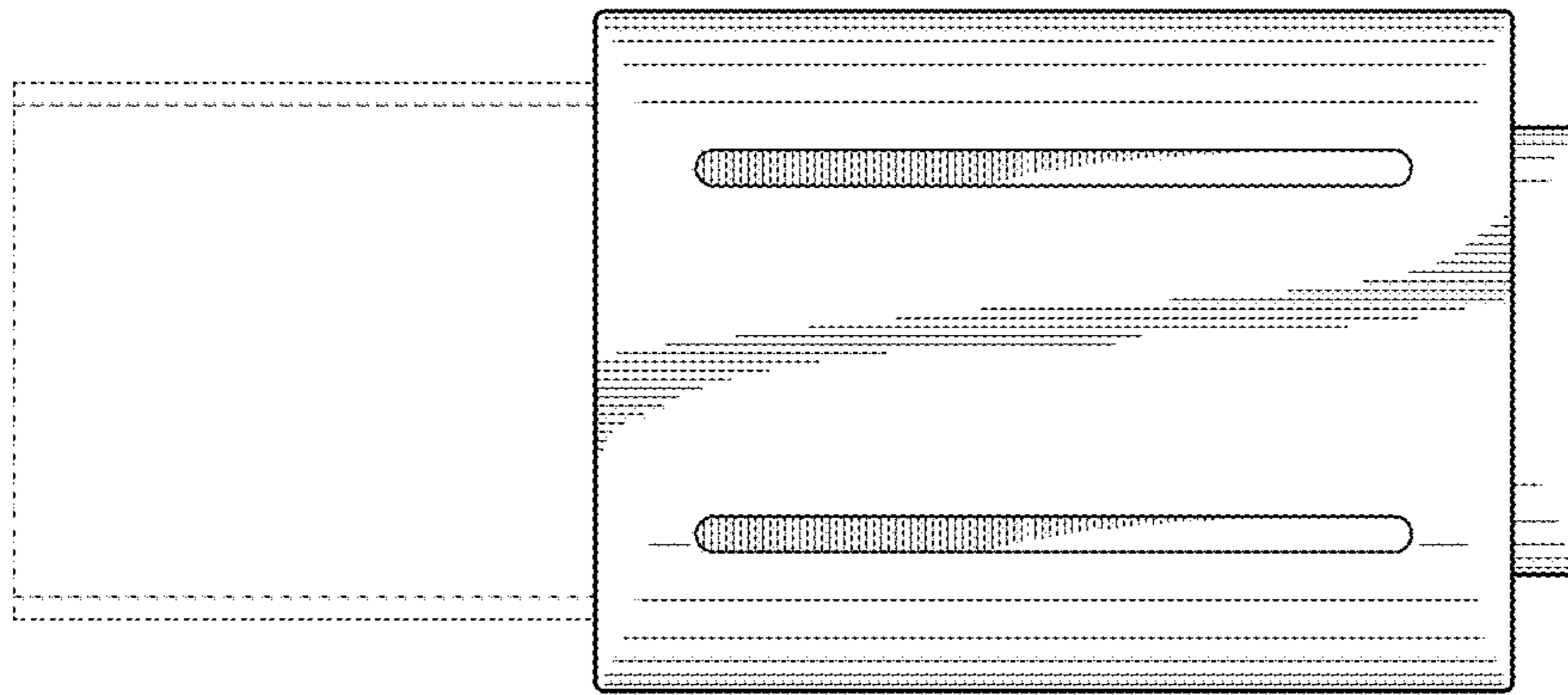


Fig. 3.

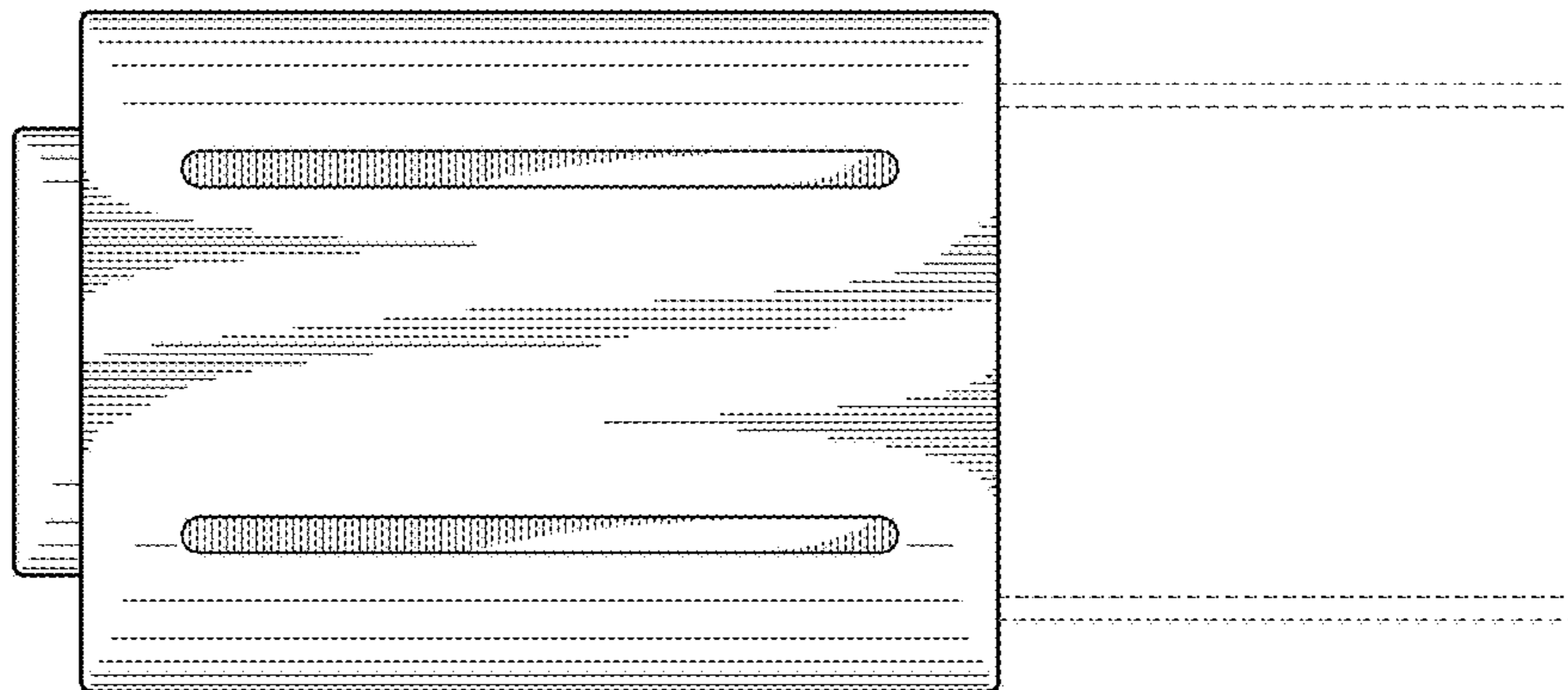


Fig. 4.

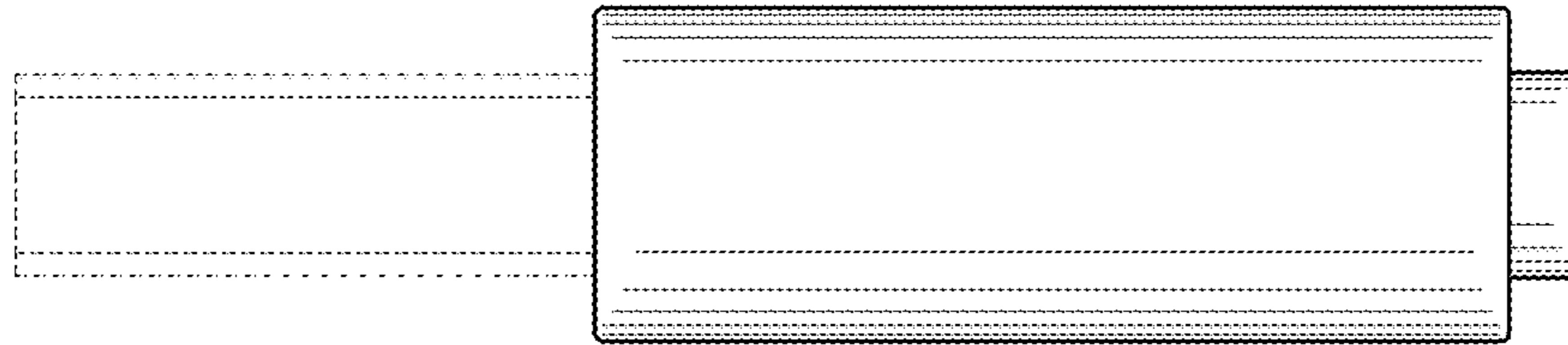


Fig. 5.

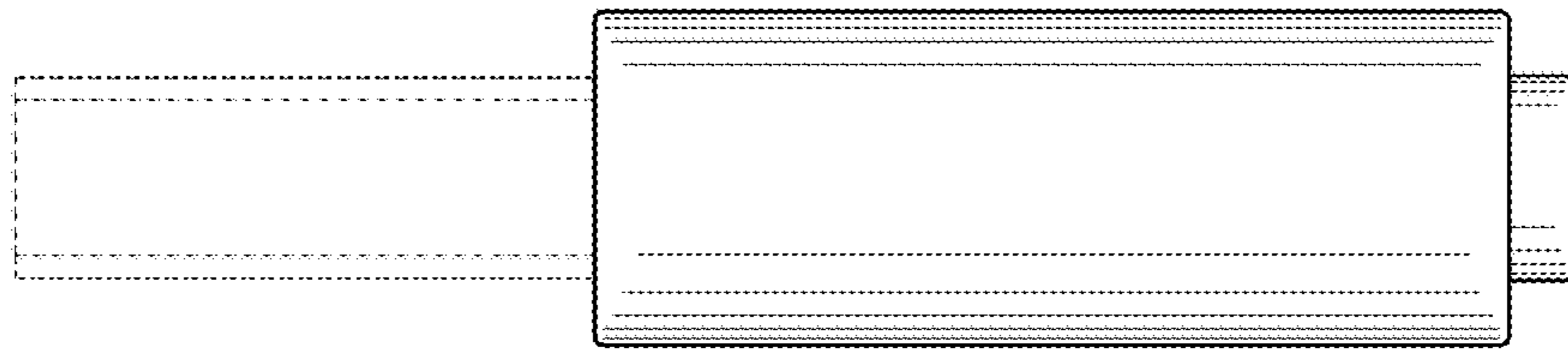


Fig. 6.

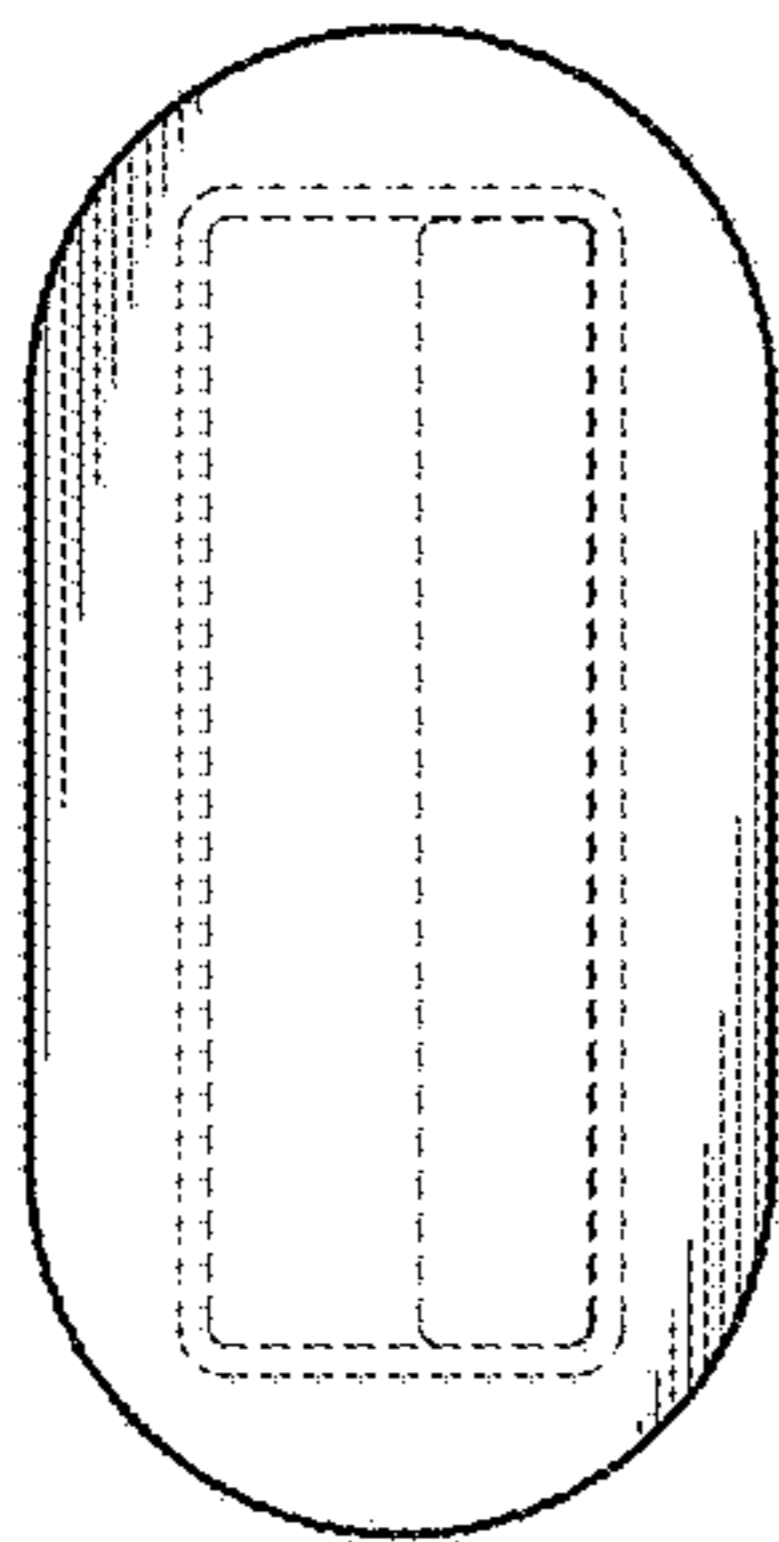


Fig. 7.

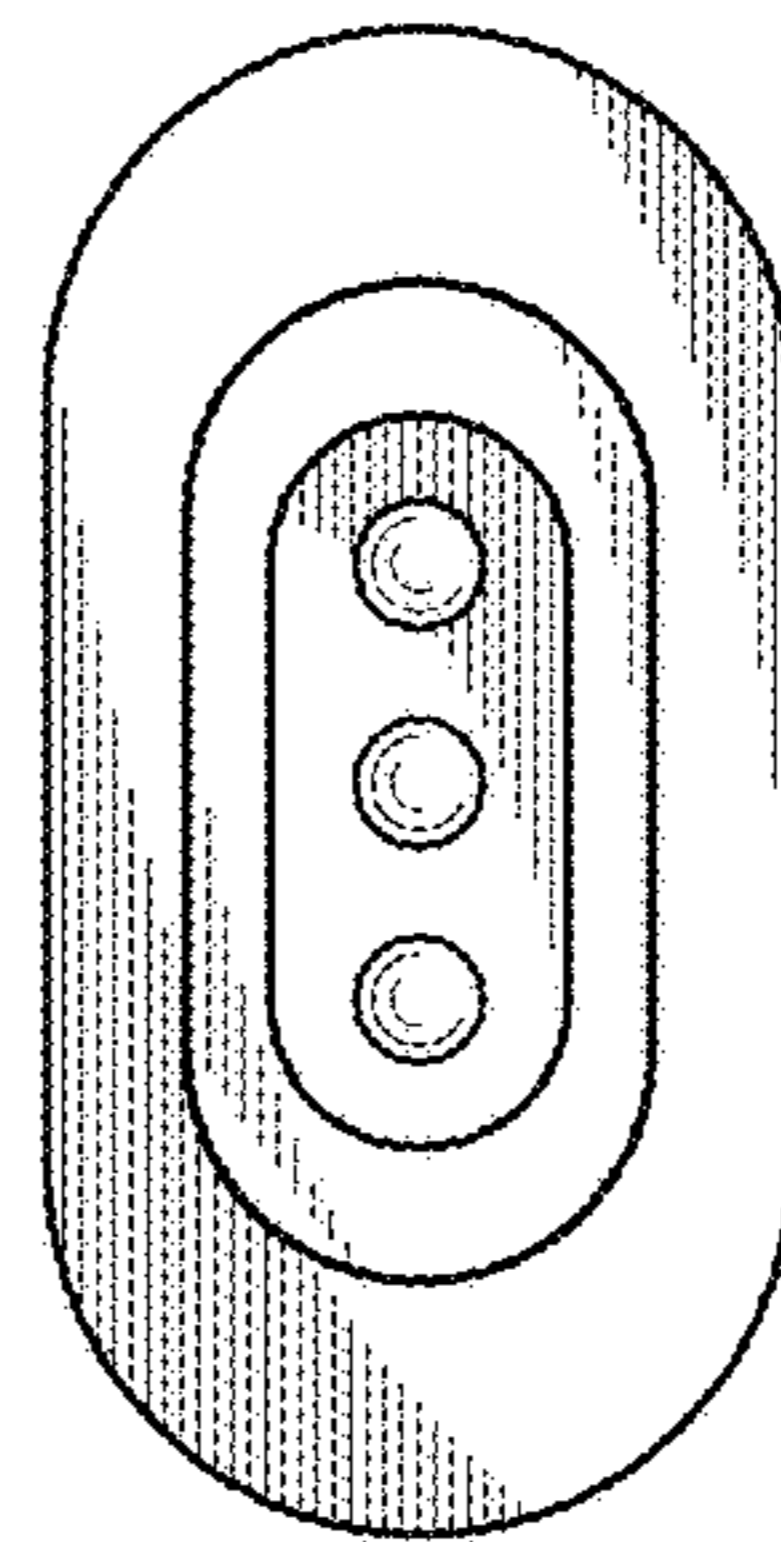


Fig. 8.