



US00D842802S

(12) **United States Design Patent**
Oliver et al.

(10) **Patent No.:** **US D842,802 S**
(45) **Date of Patent:** **** Mar. 12, 2019**

- (54) **BATTERY END CHARGER**
- (71) Applicant: **Accutronics Ltd**, Staffordshire (GB)
- (72) Inventors: **Neil Oliver**, Staffordshire (GB); **David Asplin**, Staffordshire (GB); **Steve Dodds**, Staffordshire (GB)
- (73) Assignee: **Accutronics Ltd.** (GB)
- (**) Term: **15 Years**
- (21) Appl. No.: **29/617,783**
- (22) Filed: **Sep. 15, 2017**
- Related U.S. Application Data**
- (62) Division of application No. 29/591,226, filed on Apr. 14, 2016, now Pat. No. Des. 797,660, which is a division of application No. 29/485,393, filed on Mar. 18, 2014, now Pat. No. Des. 757,645.

- (30) **Foreign Application Priority Data**
- Sep. 18, 2013 (EP) 002311787
- (51) **LOC (11) Cl.** **13-02**
- (52) **U.S. Cl.**
- USPC **D13/107**
- (58) **Field of Classification Search**
- USPC D13/107, 103, 106, 110, 184, 82, 120, D13/159, 168, 116, 119, 162.1; 429/96, 429/97, 99, 100, 105, 163, 82, 120, 176; 320/103, 107, 110, 120, 125, 113
- CPC H01M 2/10; H01M 10/46; H01M 10/44; H01M 10/6556; H01M 10/50
- See application file for complete search history.

- (56) **References Cited**
- U.S. PATENT DOCUMENTS**
- 3,105,909 A 10/1963 Jones
- D206,804 S 1/1967 Cunitz

- D210,596 S * 3/1968 Becker et al. D13/110
- 3,579,075 A 5/1971 Floyd
- D225,013 S * 10/1972 Stewart D10/50
- 3,696,283 A 10/1972 Ackley, III
- D225,109 S 11/1972 Flider
- 3,711,806 A * 1/1973 Flentge H01F 27/266
336/107
- D236,493 S 8/1975 Kaye
- D246,709 S * 12/1977 Pomper D13/110
- D252,568 S * 8/1979 Comstock D13/126
- D260,513 S * 9/1981 Comstock D13/126
- 4,403,182 A 9/1983 Yeh
- D276,495 S * 11/1984 Sylvia D13/110
- D278,703 S 5/1985 Chiodo et al.
- D286,770 S * 11/1986 Melcher D13/126
- D305,115 S * 12/1989 Kondo D13/110
- 5,039,929 A 8/1991 Veistroffer et al.
- D328,057 S * 7/1992 Prager D13/110

(Continued)

Primary Examiner — Paula Allen Greene

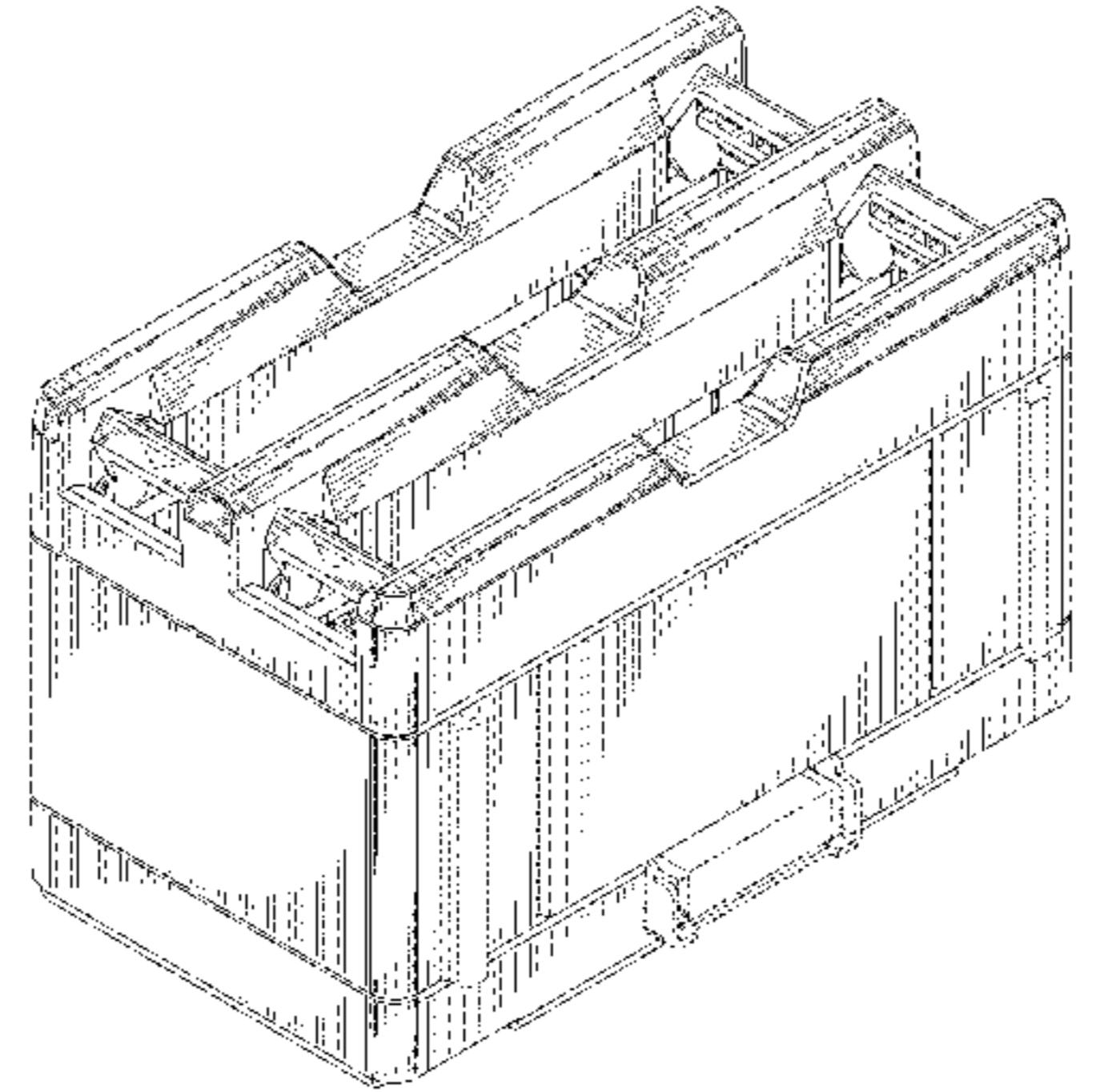
(57) **CLAIM**

An ornamental design for the battery end charger, as shown and described.

DESCRIPTION

FIG. 1 is a first perspective view of an embodiment of our new battery end charger;
 FIG. 2 is a second perspective view of the design of FIG. 1;
 FIG. 3 is a front view of the design of FIG. 1;
 FIG. 4 is a top view of the design of FIG. 1;
 FIG. 5 is a bottom view of the design of FIG. 1;
 FIG. 6 is a left hand side view of the design of FIG. 1; and,
 FIG. 7 is a right hand side view of the design of FIG. 1.
 The broken lines in the above described FIGS. 1-7 are for illustrative purposes only and form no part of the claimed design.

1 Claim, 7 Drawing Sheets



(56)

References Cited

U.S. PATENT DOCUMENTS

D336,631 S 6/1993 Ivester
 5,221,210 A 6/1993 Bormuth et al.
 D338,653 S * 8/1993 Morgan D13/110
 D351,134 S * 10/1994 Hunziker D13/110
 D377,790 S 2/1997 Ober et al.
 D377,986 S 2/1997 Pollard
 D388,764 S 1/1998 Bartling et al.
 D409,562 S 5/1999 Johansson et al.
 D414,752 S * 10/1999 Rooyakkers D13/184
 D494,940 S * 8/2004 Fiocchi D13/184
 D519,919 S 5/2006 Yokota
 D555,587 S 11/2007 Yamamoto et al.
 D592,134 S * 5/2009 Brockington D13/119
 D610,539 S 2/2010 Dahan et al.
 D614,124 S 4/2010 Mistyurik
 D620,886 S * 8/2010 Flattinger D13/110
 D623,125 S 9/2010 Kawabata et al.
 D643,811 S 8/2011 Qualls et al.
 8,054,041 B2 11/2011 Kim et al.
 D650,326 S * 12/2011 Yen D13/107
 D651,562 S * 1/2012 Takeno D13/107
 D651,564 S * 1/2012 Workman D13/108
 D654,019 S 2/2012 Ikegame
 D659,088 S * 5/2012 Steinberg D13/106
 D664,499 S * 7/2012 Workman D13/107
 8,312,937 B2 11/2012 Turner et al.
 D674,333 S 1/2013 Lemelman et al.

D675,622 S 2/2013 Petrick et al.
 D680,950 S 4/2013 Nam et al.
 D693,292 S 11/2013 Salvi et al.
 D721,647 S 1/2015 DeKeuster
 D727,254 S 4/2015 Kinoshita
 D731,412 S 6/2015 Gao et al.
 D731,415 S 6/2015 Arakelian et al.
 D733,043 S 6/2015 Hasbrook et al.
 D733,045 S 6/2015 Venida et al.
 D742,307 S * 11/2015 DeKeuster D13/103
 D757,645 S * 5/2016 Oliver D13/103
 D758,960 S * 6/2016 Johansson D13/103
 D790,453 S * 6/2017 Tinius D13/103
 D797,660 S * 9/2017 Oliver D13/103
 D803,777 S * 11/2017 Burchard D13/103
 D820,200 S * 6/2018 Takahashi D13/103
 D826,150 S * 8/2018 Cayon D13/103
 D826,848 S * 8/2018 Toshida D13/103
 2001/0007728 A1 7/2001 Ogata et al.
 2006/0093899 A1 5/2006 Jeon et al.
 2012/0194132 A1 8/2012 Ikegame
 2012/0214038 A1 8/2012 Kim et al.
 2013/0183573 A1 * 7/2013 Yoshioka H01M 2/1077
 429/159
 2015/0214586 A1 7/2015 Yeow et al.
 2015/0364740 A1 * 12/2015 De Arroyabe H01M 2/206
 429/90
 2016/0248072 A1 8/2016 Jang et al.
 2017/0125752 A1 * 5/2017 Kim H01M 2/1077

* cited by examiner

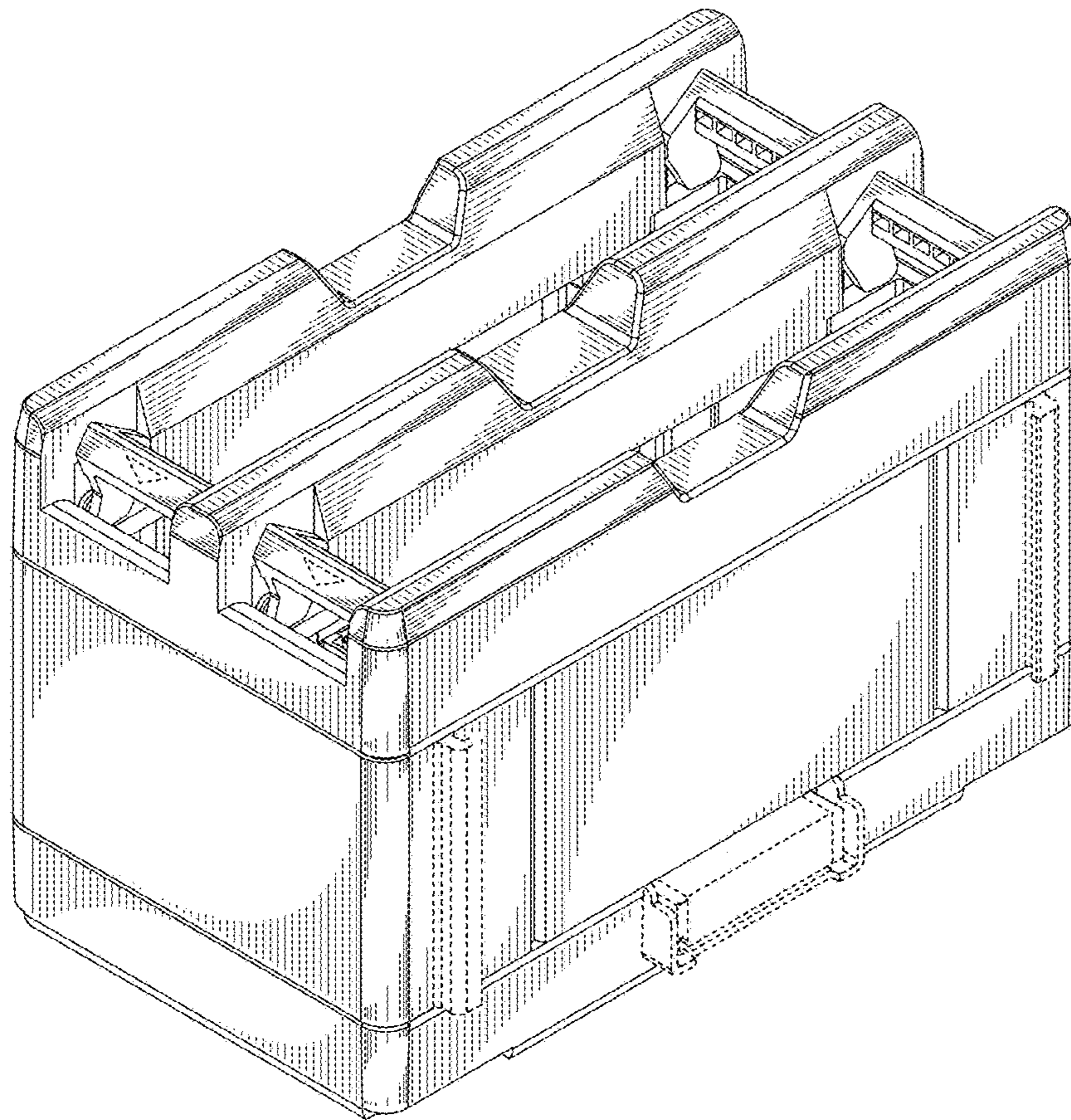


FIG. 1

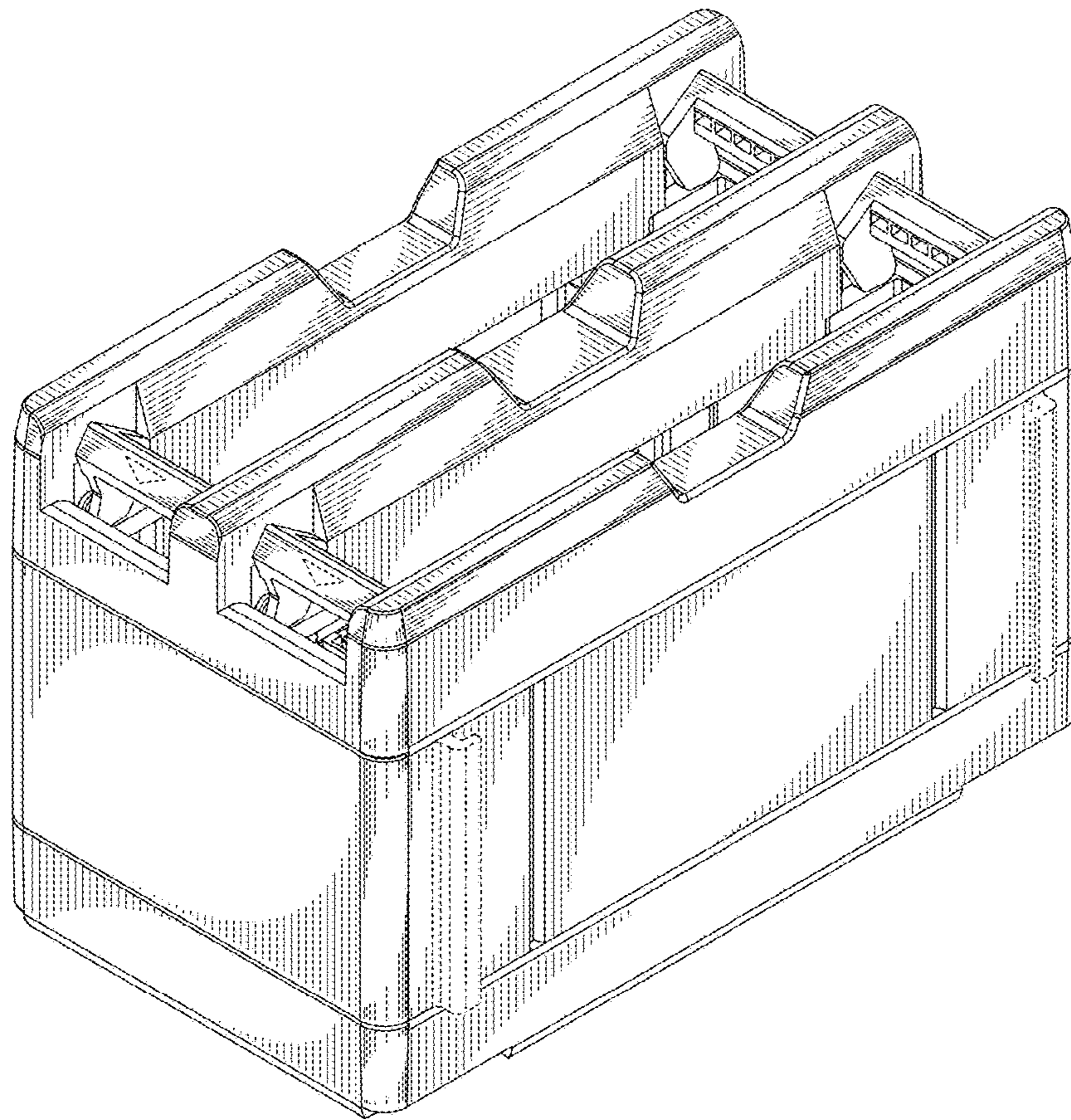


FIG. 2

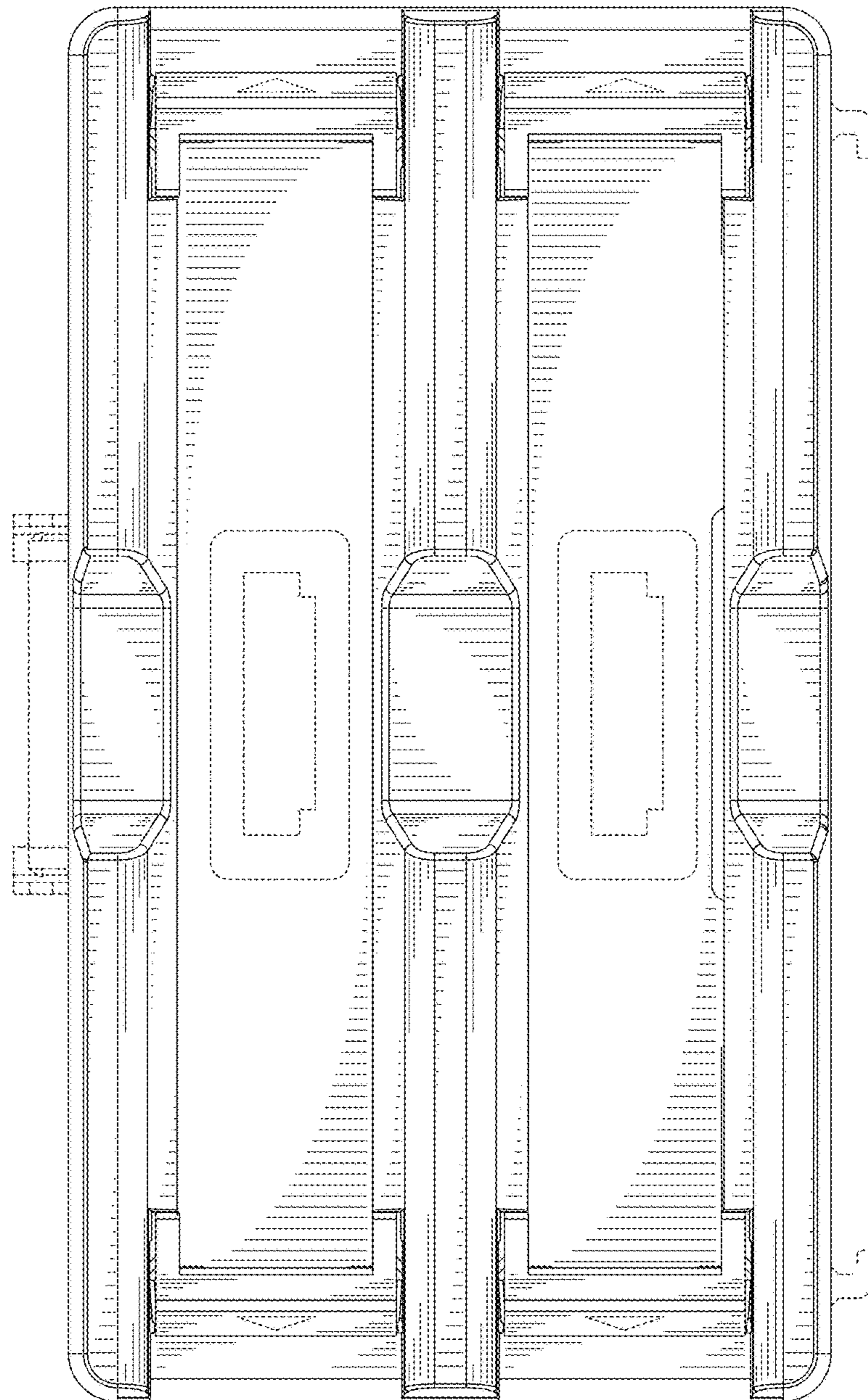


FIG. 3

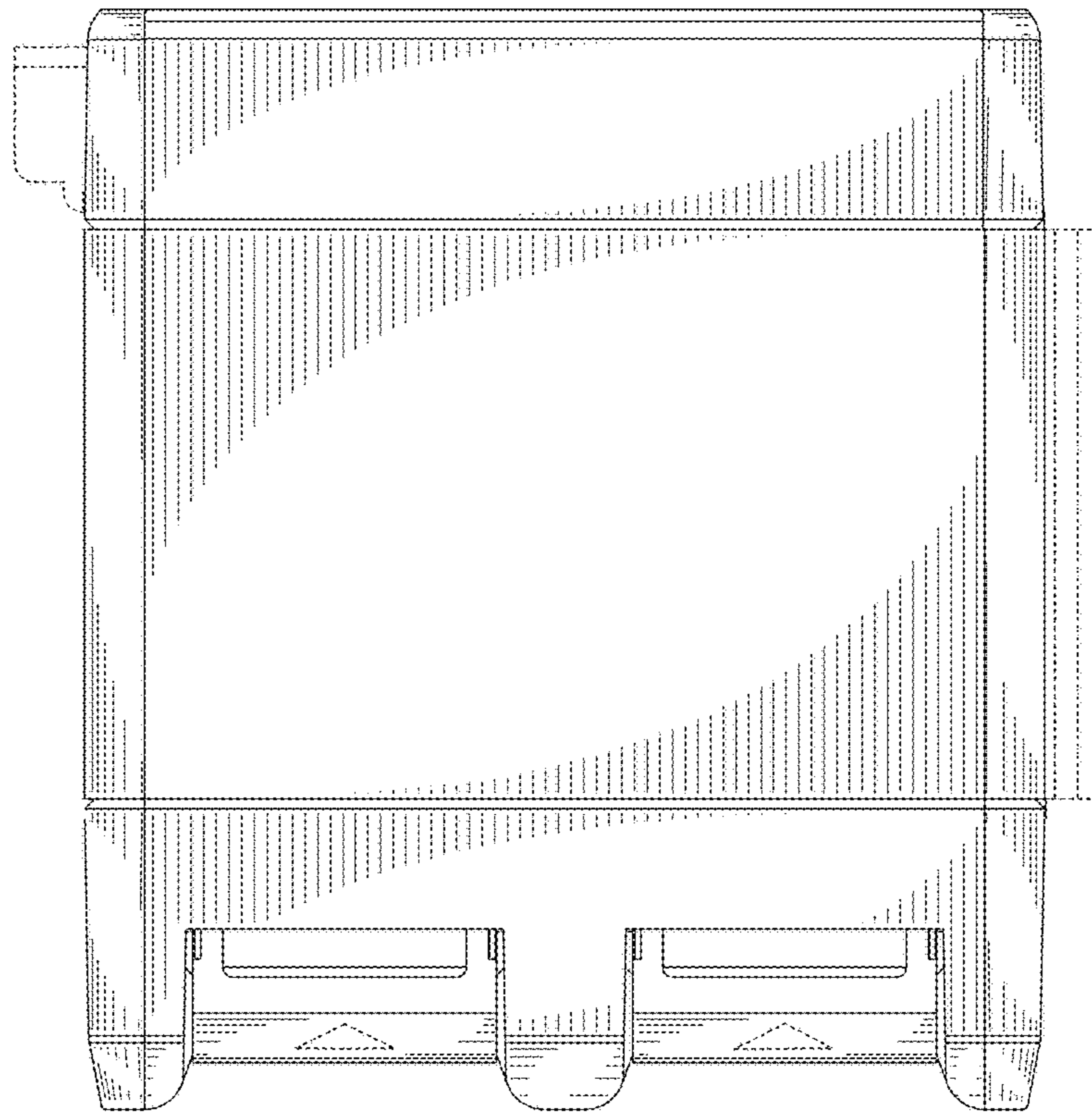


FIG. 4

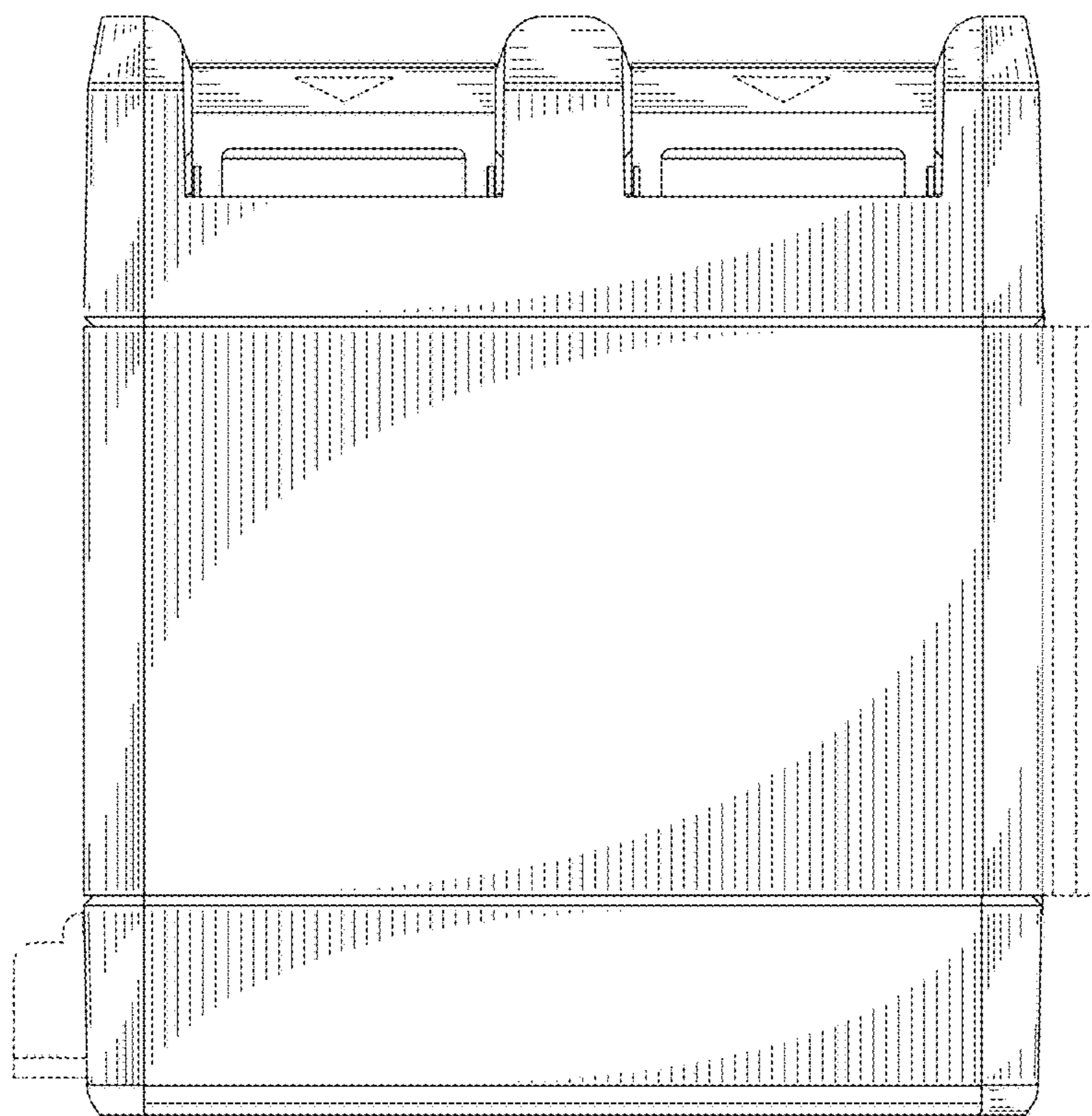


FIG. 5

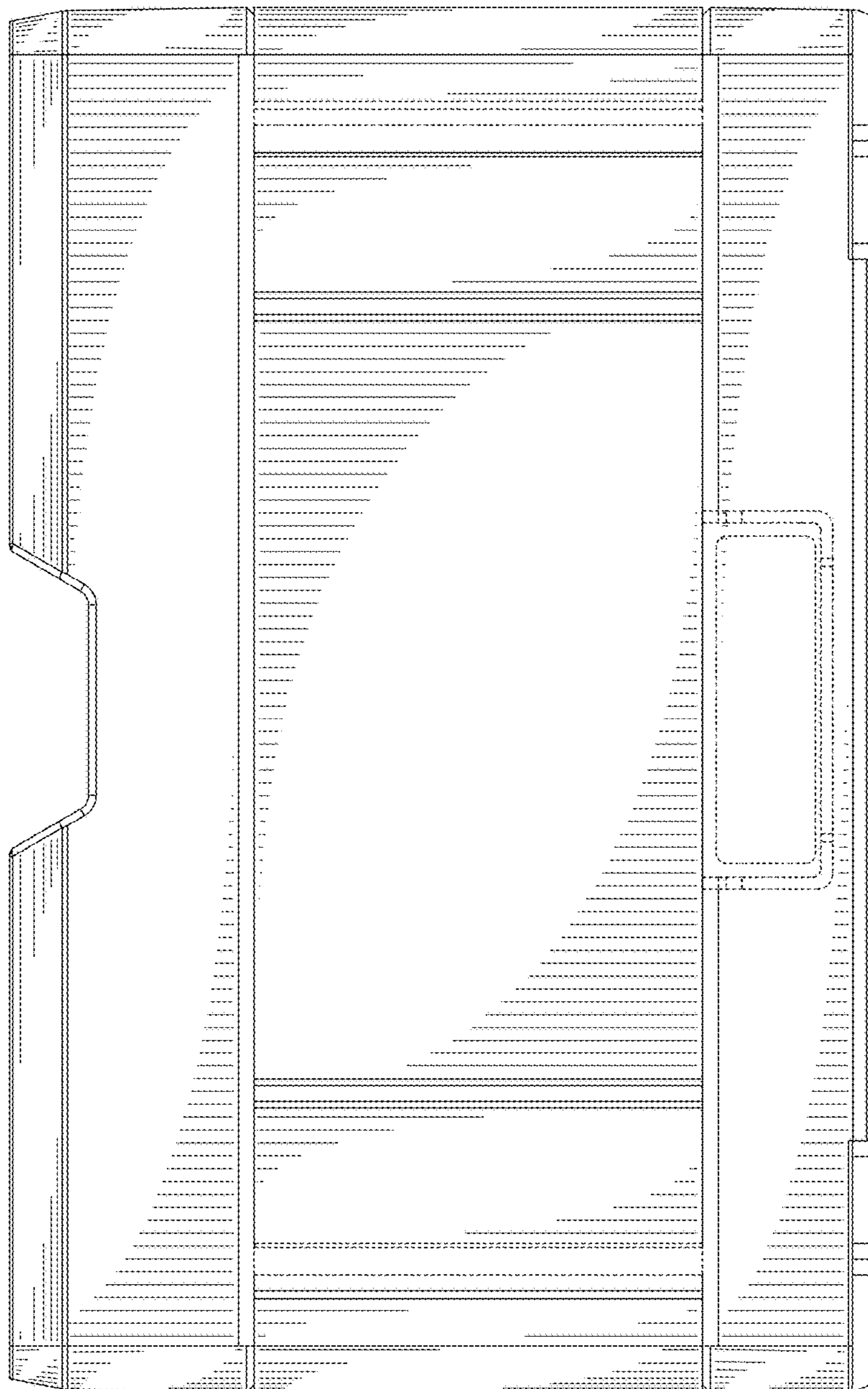


FIG. 6

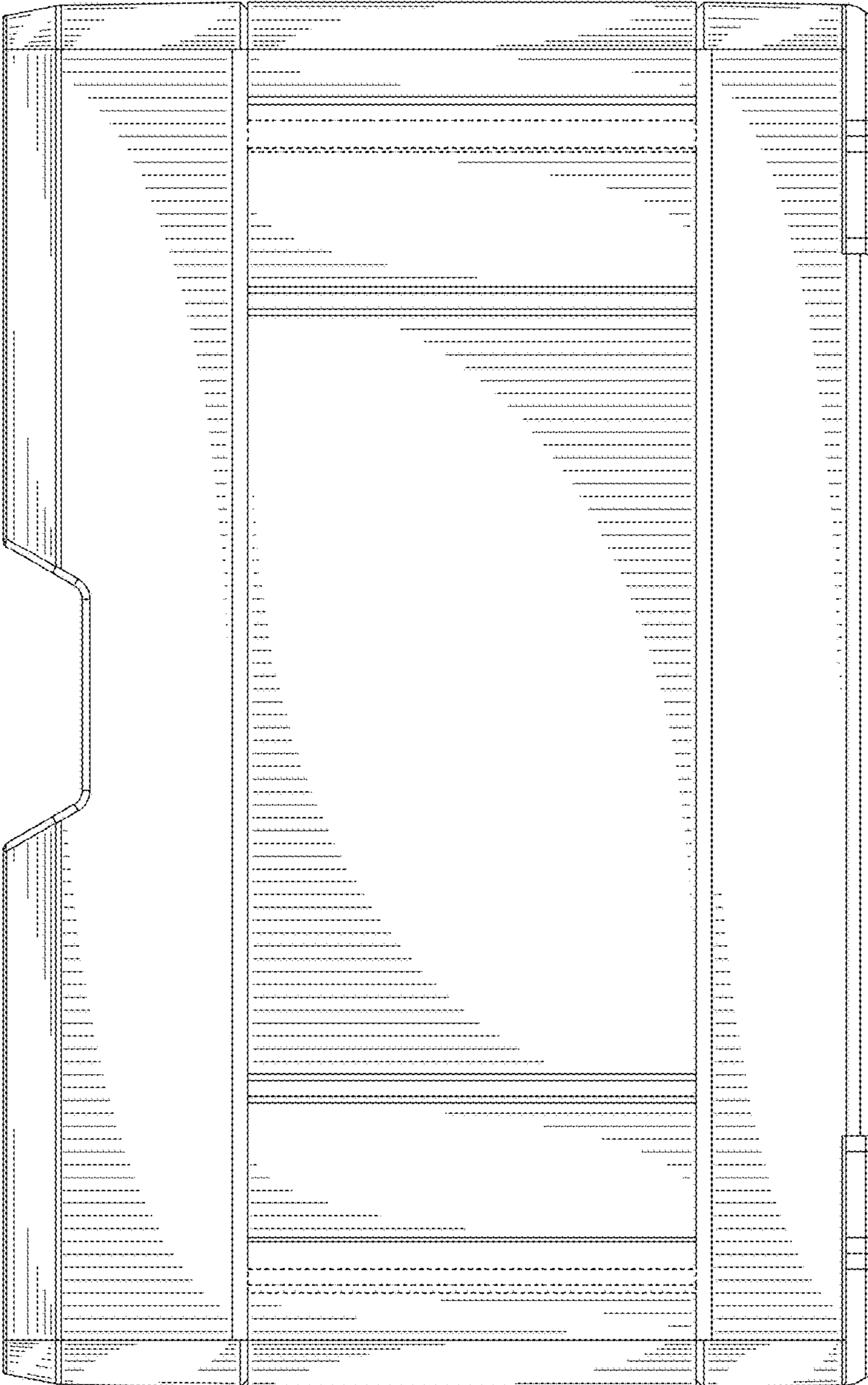


FIG. 7