

US00D842798S

(12) **United States Design Patent**
Craig

(10) **Patent No.:** **US D842,798 S**

(45) **Date of Patent:** **** Mar. 12, 2019**

- (54) **WATERCRAFT AWNING**
- (71) Applicant: **Robert Craig**, Orlando, FL (US)
- (72) Inventor: **Robert Craig**, Orlando, FL (US)
- (**) Term: **15 Years**
- (21) Appl. No.: **29/613,939**
- (22) Filed: **Aug. 15, 2017**
- (51) **LOC (11) Cl.** **12-06**
- (52) **U.S. Cl.**
USPC **D12/317**
- (58) **Field of Classification Search**
USPC D12/300-318; D21/542-547
CPC B63B 17/00; B63B 17/002; B63B 17/02;
B63B 2017/026
See application file for complete search history.

D686,560 S *	7/2013	Hamilton	D12/317
8,752,498 B1 *	6/2014	Schwindaman	B63B 17/02 114/361
D737,193 S *	8/2015	Wilson	D12/317
9,783,267 B1 *	10/2017	Alexander	B63B 17/04
2002/0053313 A1 *	5/2002	Murphy	B63B 17/02 114/361
2009/0229508 A1 *	9/2009	James	B63B 17/02 114/361
2010/0083891 A1 *	4/2010	Russikoff	B63B 17/02 114/361

* cited by examiner

Primary Examiner — Cynthia M. Chin

(74) *Attorney, Agent, or Firm* — The Rapacke Law Group, P.A.

(57) **CLAIM**

The ornamental design for a watercraft awning, as shown and described.

DESCRIPTION

FIG. 1 is a perspective view of a watercraft awning showing the new design;

FIG. 2 is a right side view of the watercraft awning thereof;

FIG. 3 is a left side view of the watercraft awning thereof;

FIG. 4 is a front view of the watercraft awning thereof;

FIG. 5 is a rear view of the watercraft awning thereof;

FIG. 6 is a top view of the watercraft awning thereof; and,

FIG. 7 is a bottom view of the watercraft awning thereof.

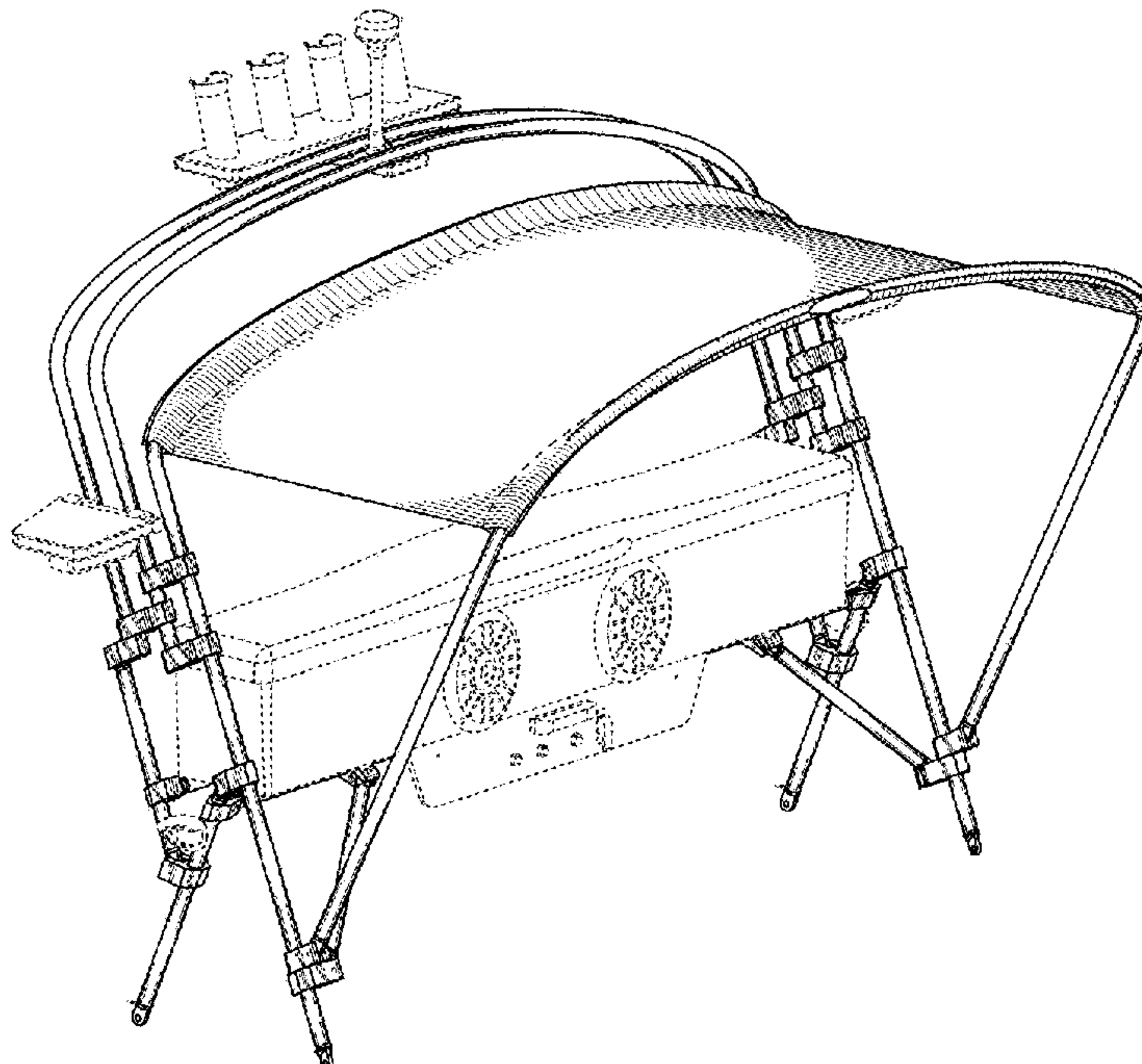
The broken lines in the drawings illustrate environmental subject matter and form no part of the claimed design.

1 Claim, 7 Drawing Sheets

(56) **References Cited**

U.S. PATENT DOCUMENTS

D391,546 S *	3/1998	Frink	D12/317
D392,243 S *	3/1998	Anderson	D12/317
5,931,114 A *	8/1999	Bartholomew	B63B 17/02 114/361
D442,910 S *	5/2001	Metcalf	D12/317
6,945,188 B2 *	9/2005	Eck	B63B 17/02 114/253
6,983,716 B1 *	1/2006	Ankney	B63B 17/02 114/361
D606,481 S *	12/2009	Stepp	D12/317
D649,505 S *	11/2011	O'Dell	D12/317



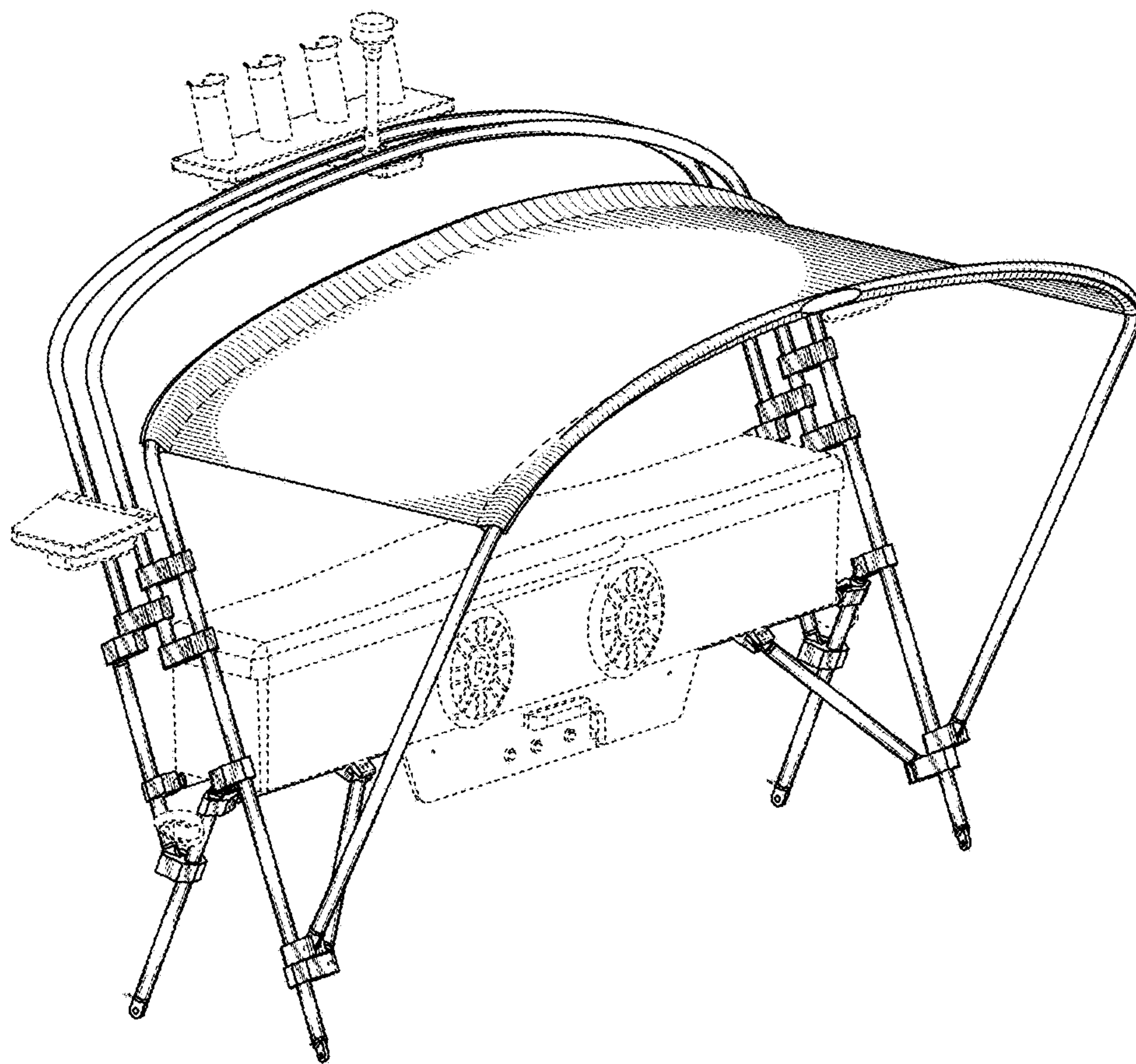


FIG. 1

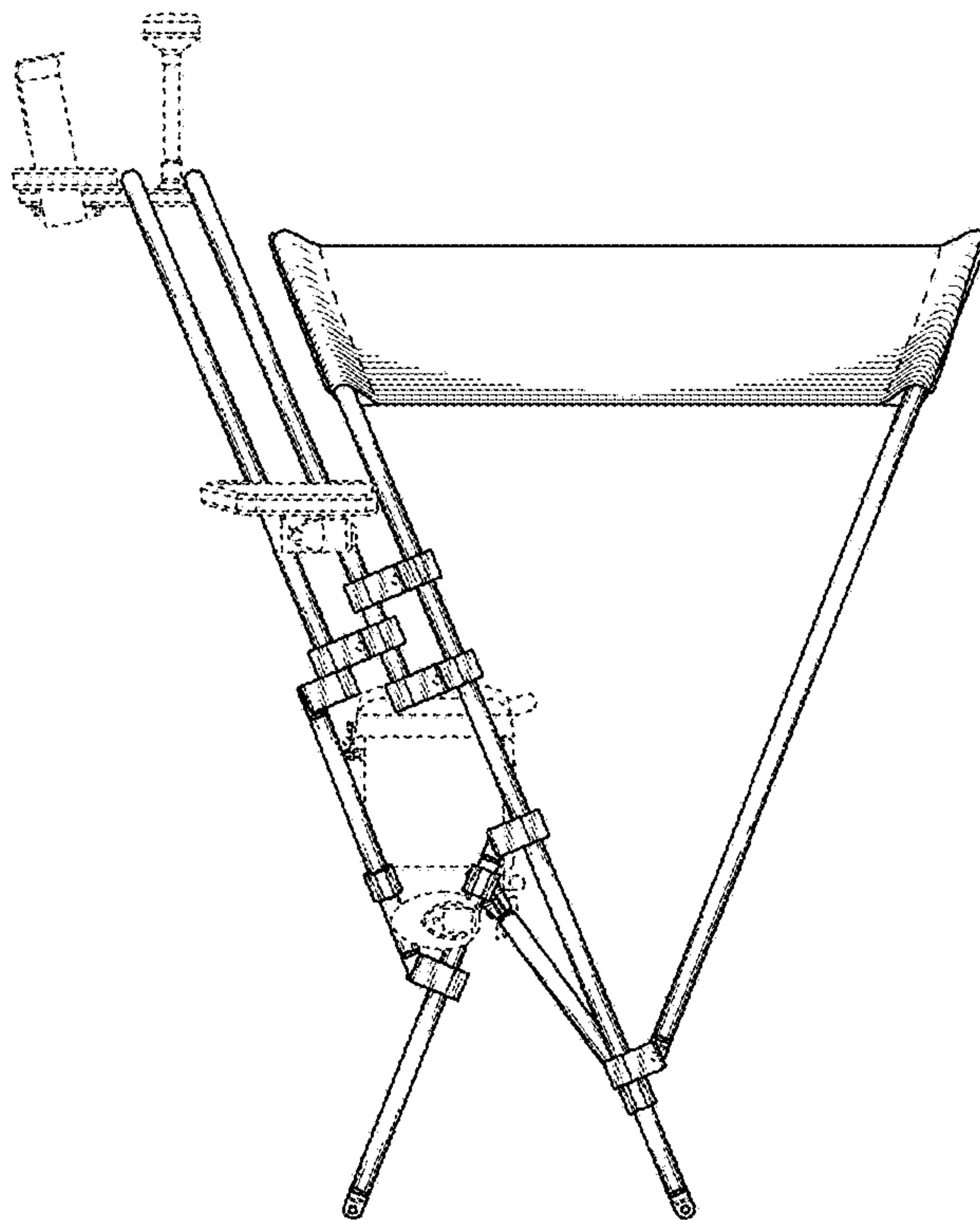


FIG. 2

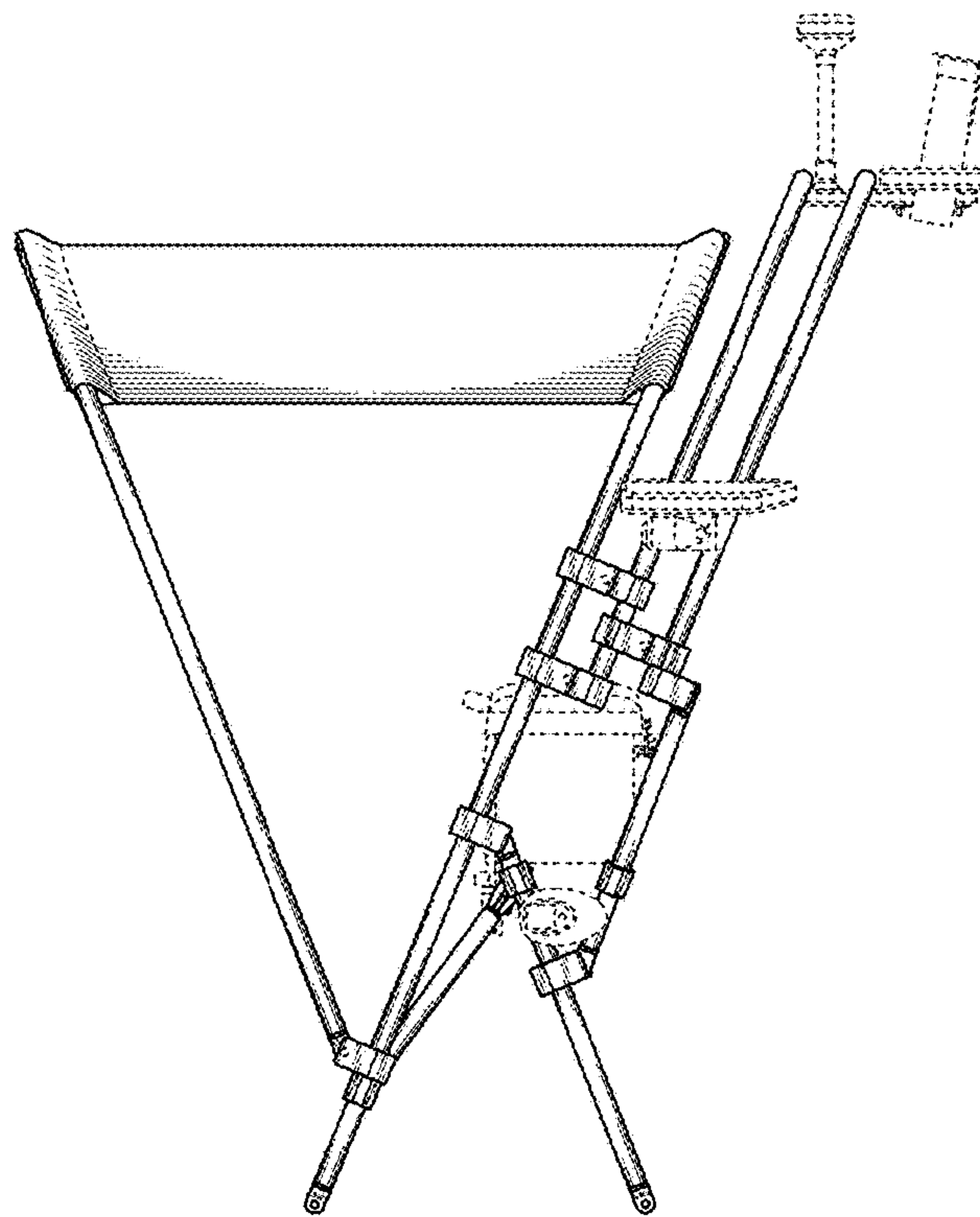


FIG. 3

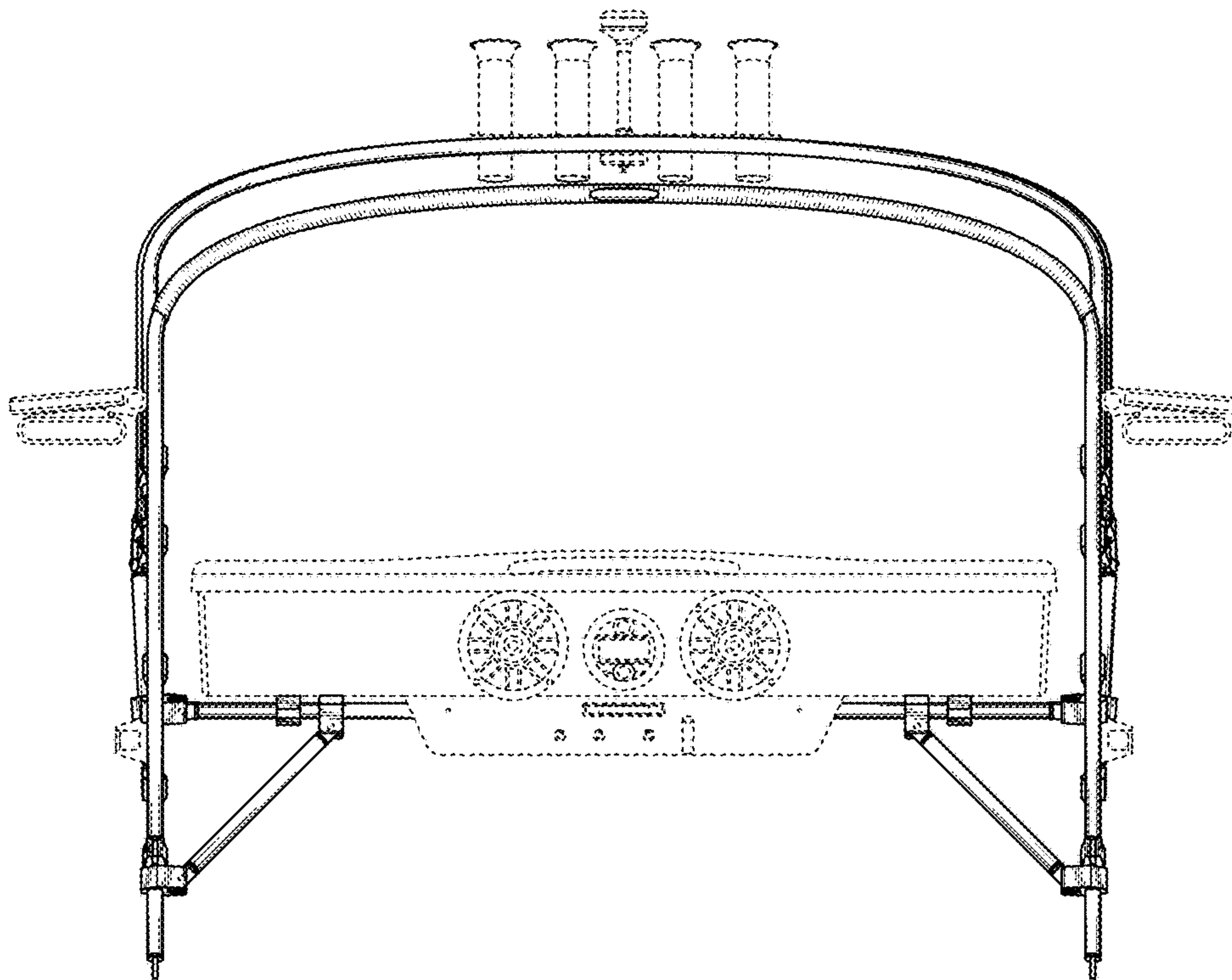


FIG. 4

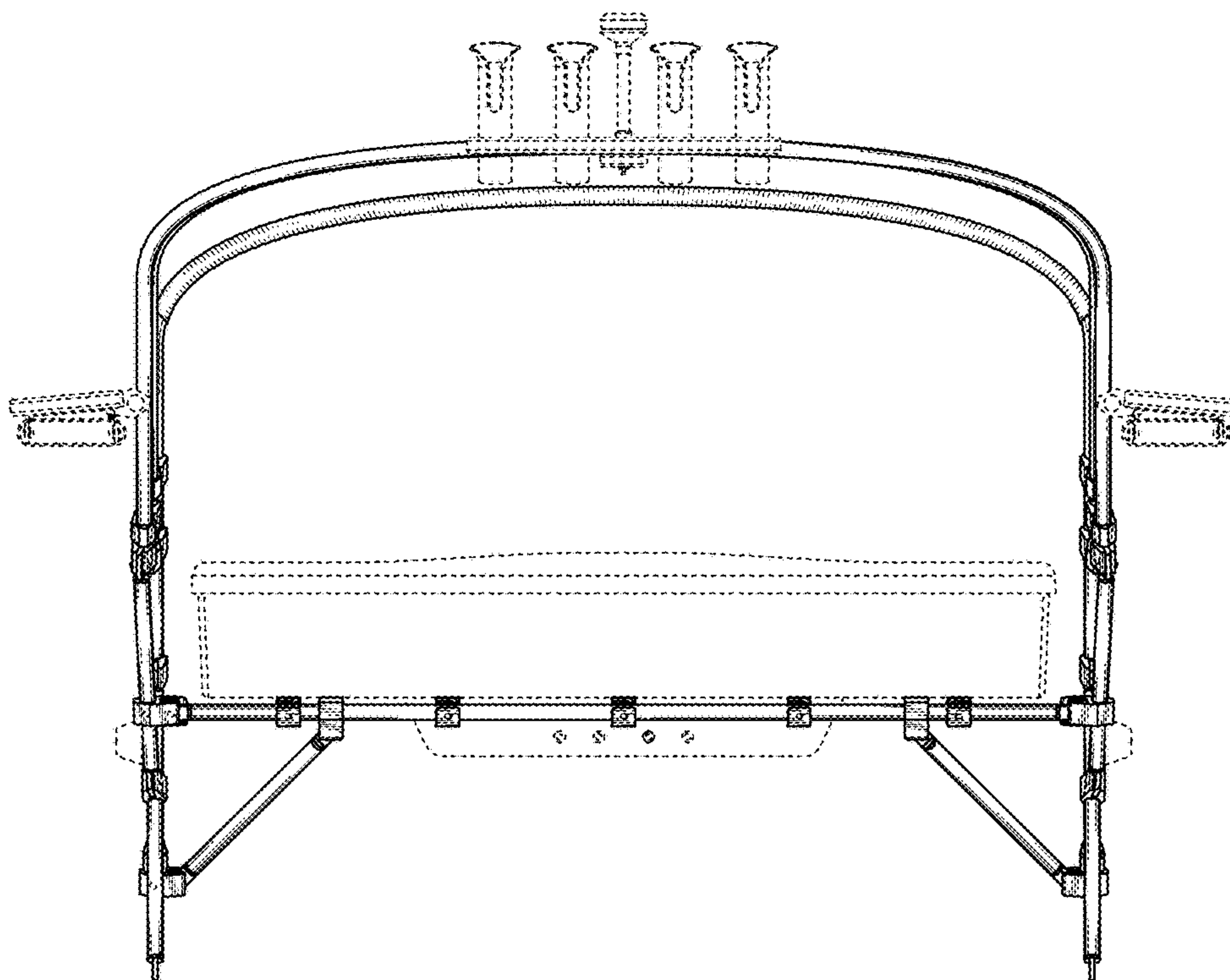


FIG. 5

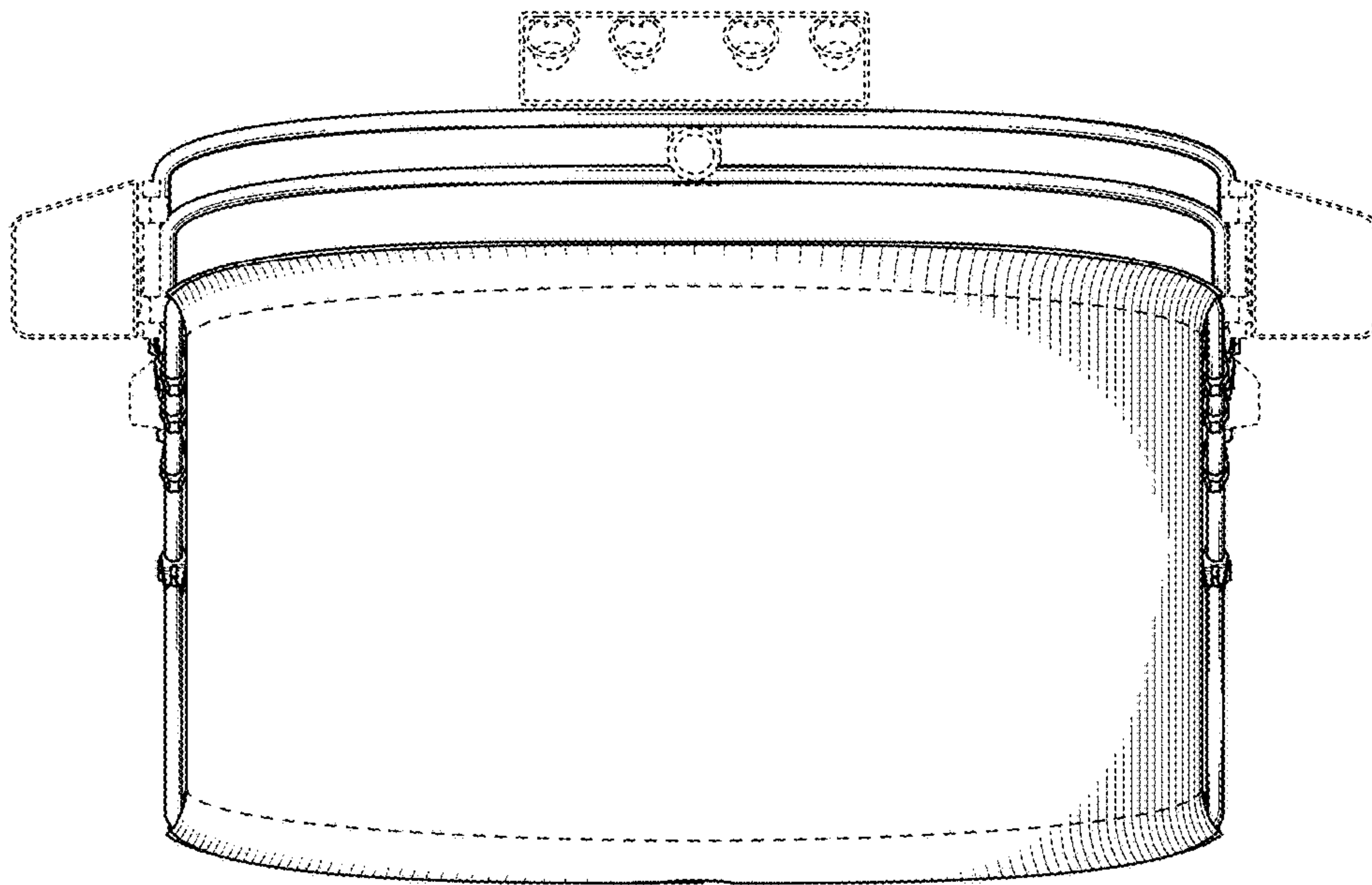


FIG. 6

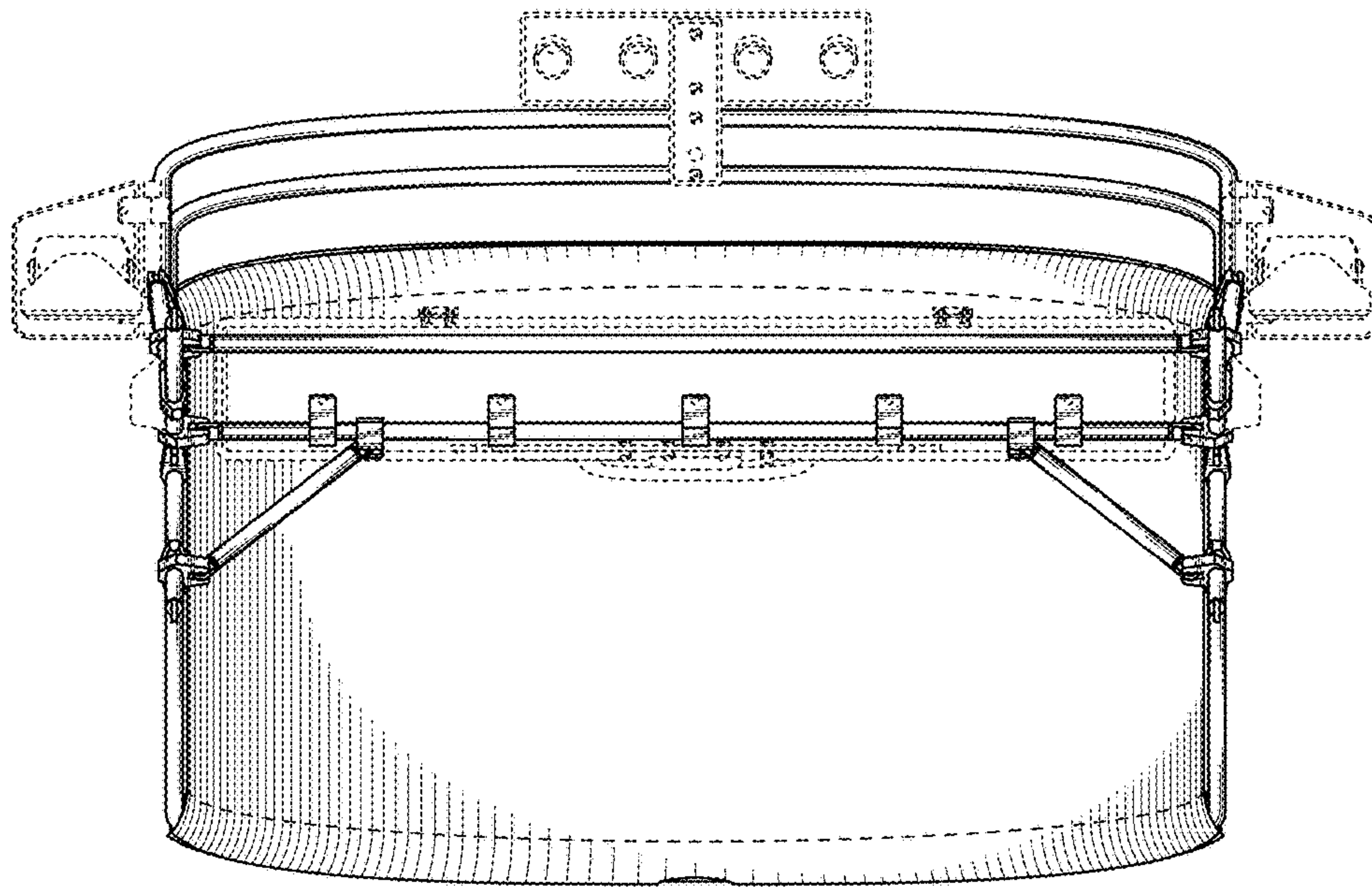


FIG. 7