



US00D842789S

(12) **United States Design Patent** (10) **Patent No.:** **US D842,789 S**
Chen (45) **Date of Patent:** **** Mar. 12, 2019**

(54) **FUEL TANK CAP COVER**
(71) Applicant: **Shenzhen Qingchun Dongli Technology Co., Ltd.**, Shenzhen, Guangdong Province (CN)
(72) Inventor: **Wenjiao Chen**, Lufeng (CN)
(73) Assignee: **Shenzhen Qingchun Dongli Technology CO., LTD.** (CN)

D739,493 S * 9/2015 Wyne D23/200
D777,565 S * 1/2017 Yeh D8/382
D803,047 S * 11/2017 Ploeger D9/435
D803,048 S * 11/2017 Ploeger D9/435
D803,049 S * 11/2017 Ploeger D9/435
D803,050 S * 11/2017 Ploeger D9/435
D804,945 S * 12/2017 Ploeger D9/435
D828,751 S * 9/2018 Ploeger D9/435
D828,752 S * 9/2018 Ploeger D9/435
2004/0084449 A1 * 5/2004 Howard F01M 11/04
220/86.2

(**) Term: **15 Years**

* cited by examiner

(21) Appl. No.: **29/622,190**

Primary Examiner — Katrina A Betton
(74) *Attorney, Agent, or Firm* — PROI Intellectual Property US

(22) Filed: **Oct. 15, 2017**

(51) **LOC (11) Cl.** **12-16**

(52) **U.S. Cl.**
USPC **D12/197**

(57) **CLAIM**

The ornamental design for a fuel tank cap cover, as shown and described.

(58) **Field of Classification Search**
USPC D12/197–201, 110, 114, 218; D15/150;
D23/260; D7/398; D9/443–444,
D9/451–454, 435; D8/310–312
CPC B60H 1/34
See application file for complete search history.

DESCRIPTION

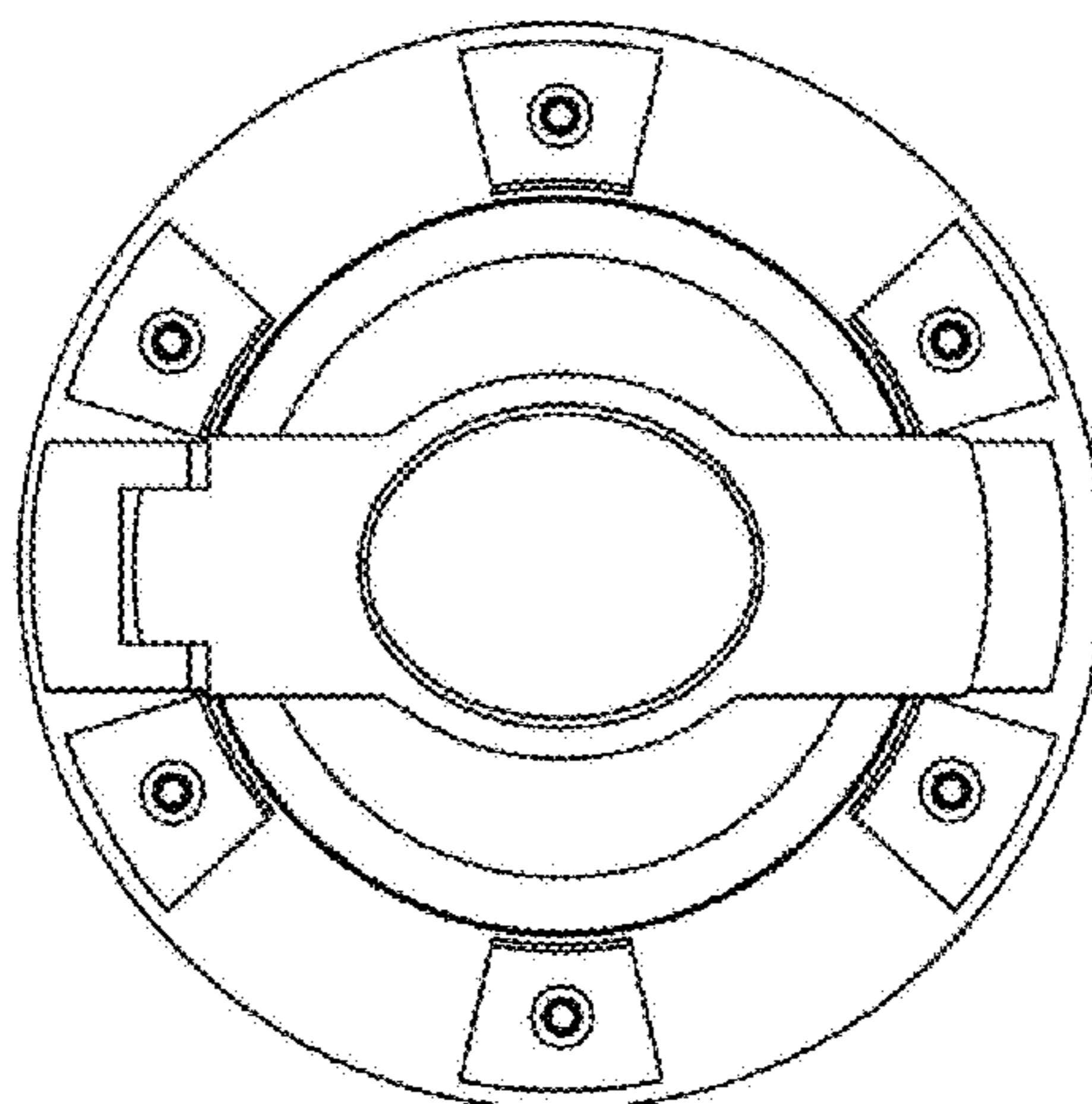
FIG. 1 is a perspective front View of a fuel tank cap cover;
FIG. 2 is a front View thereof;
FIG. 3 is a rear View thereof;
FIG. 4 is a left View thereof;
FIG. 5 is a right View thereof;
FIG. 6 is a top View thereof; and,
FIG. 7 is a bottom View thereof.

(56) **References Cited**

U.S. PATENT DOCUMENTS

D623,062 S * 9/2010 Gullickson D9/447
D719,961 S * 12/2014 Xiang D14/447

1 Claim, 7 Drawing Sheets



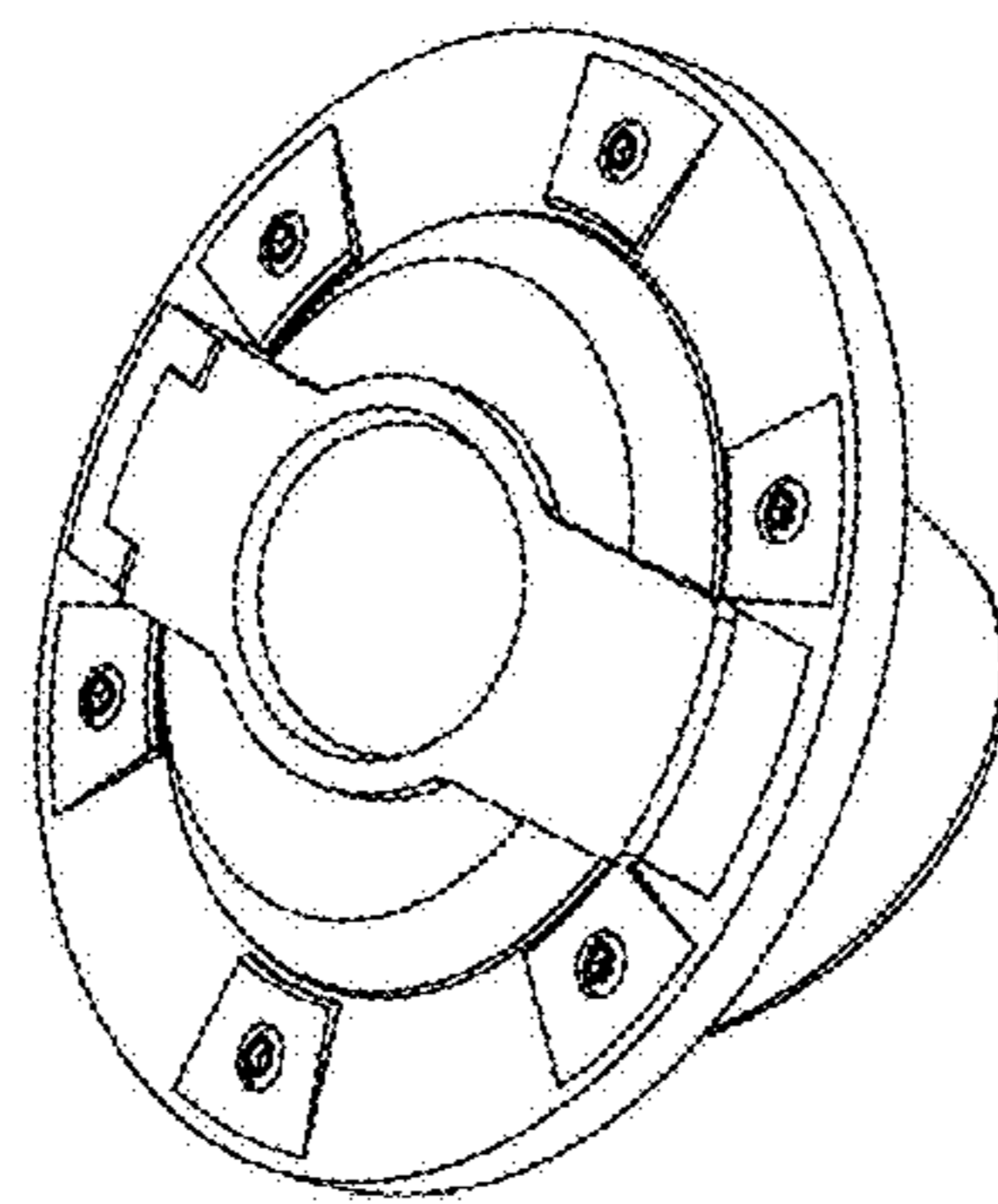


Fig. 1

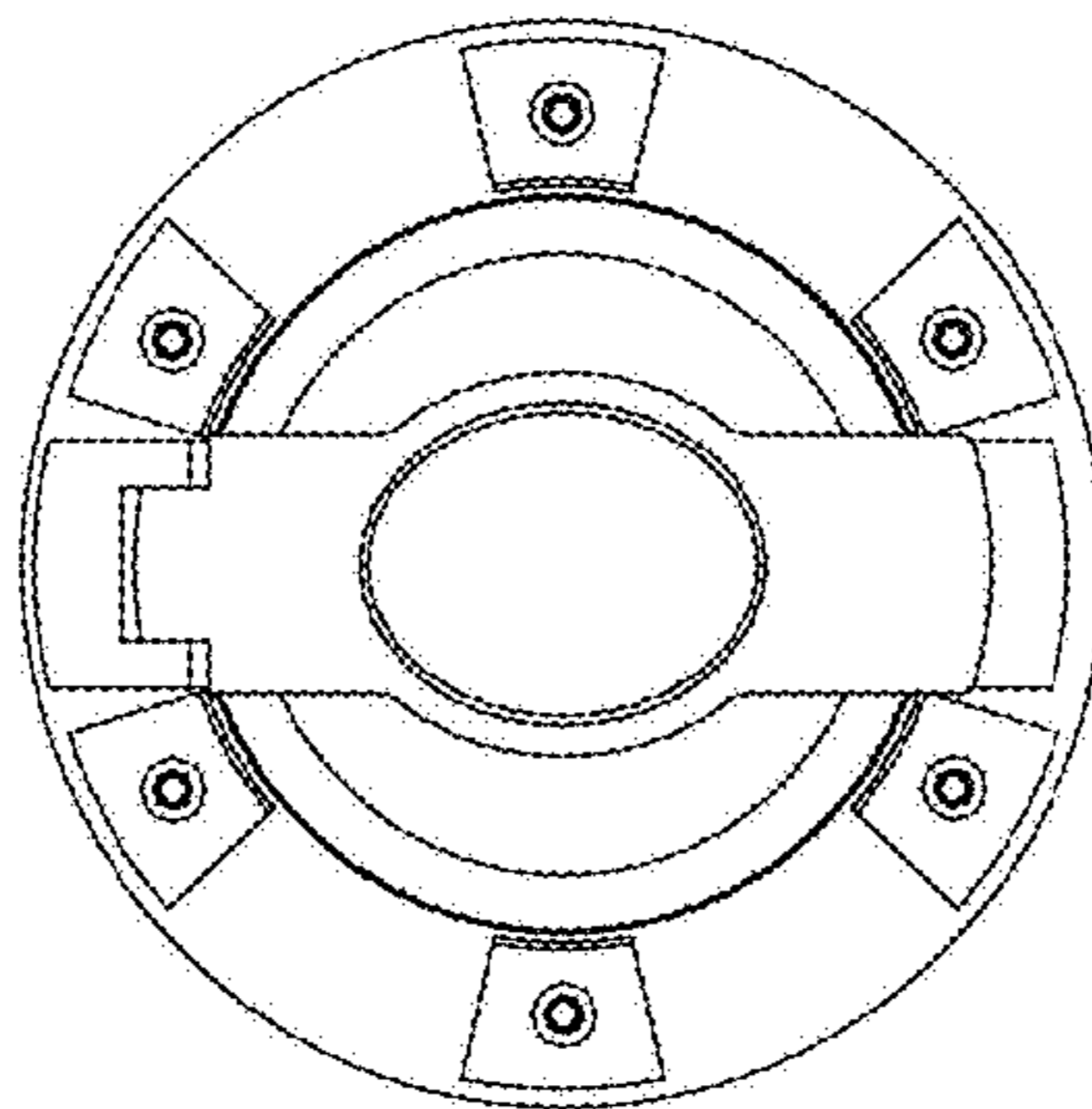


Fig. 2

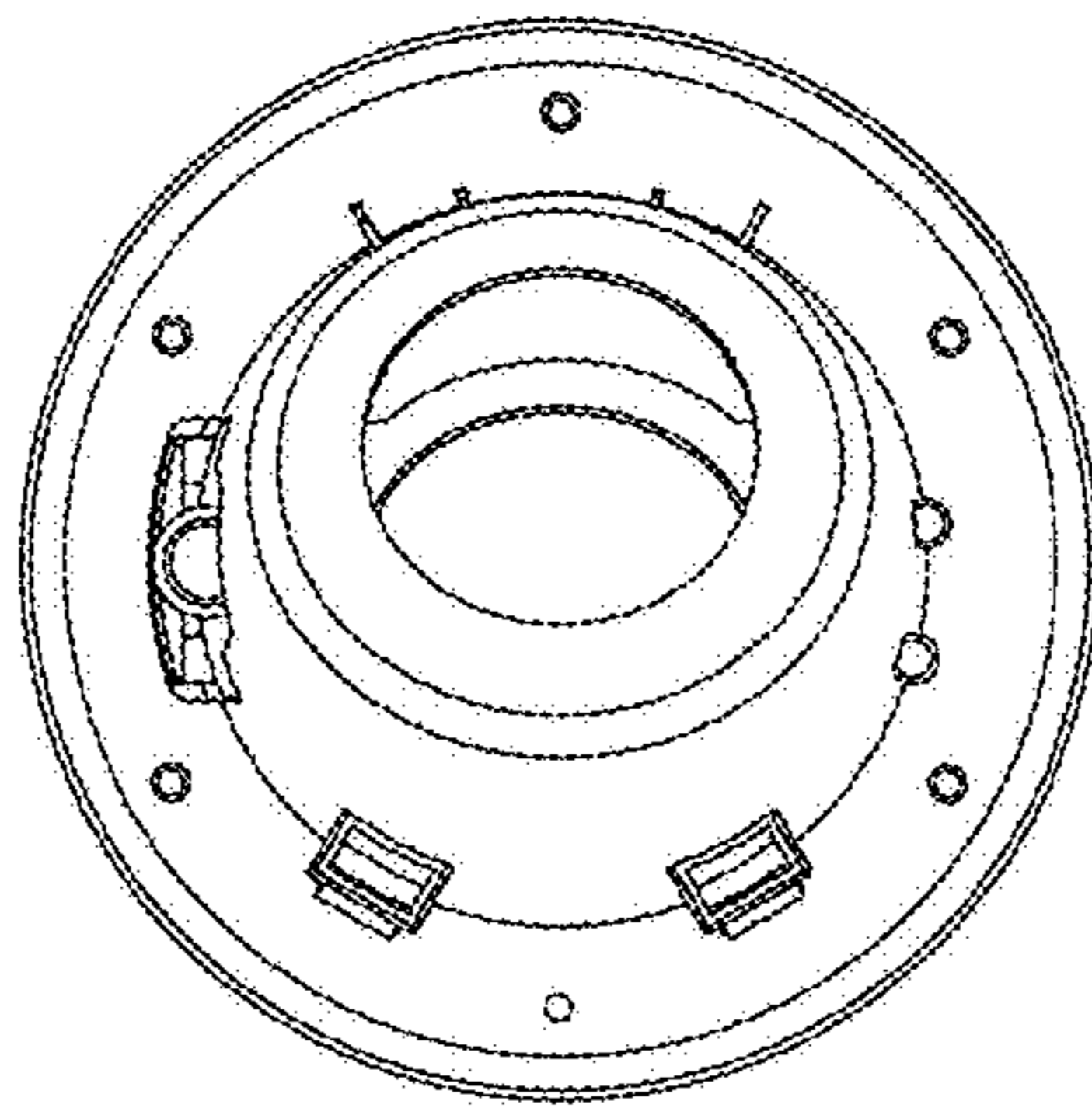


Fig. 3

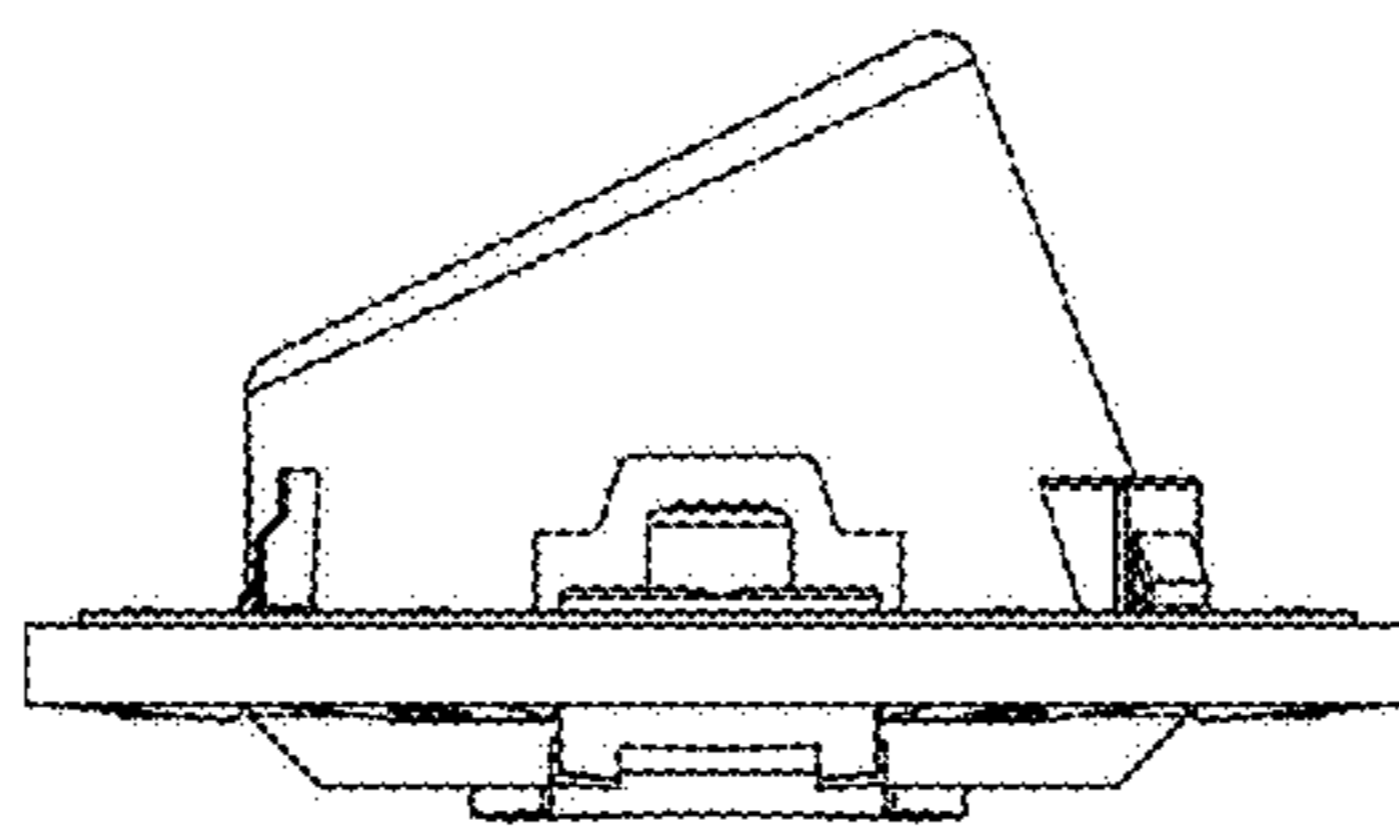


Fig. 4

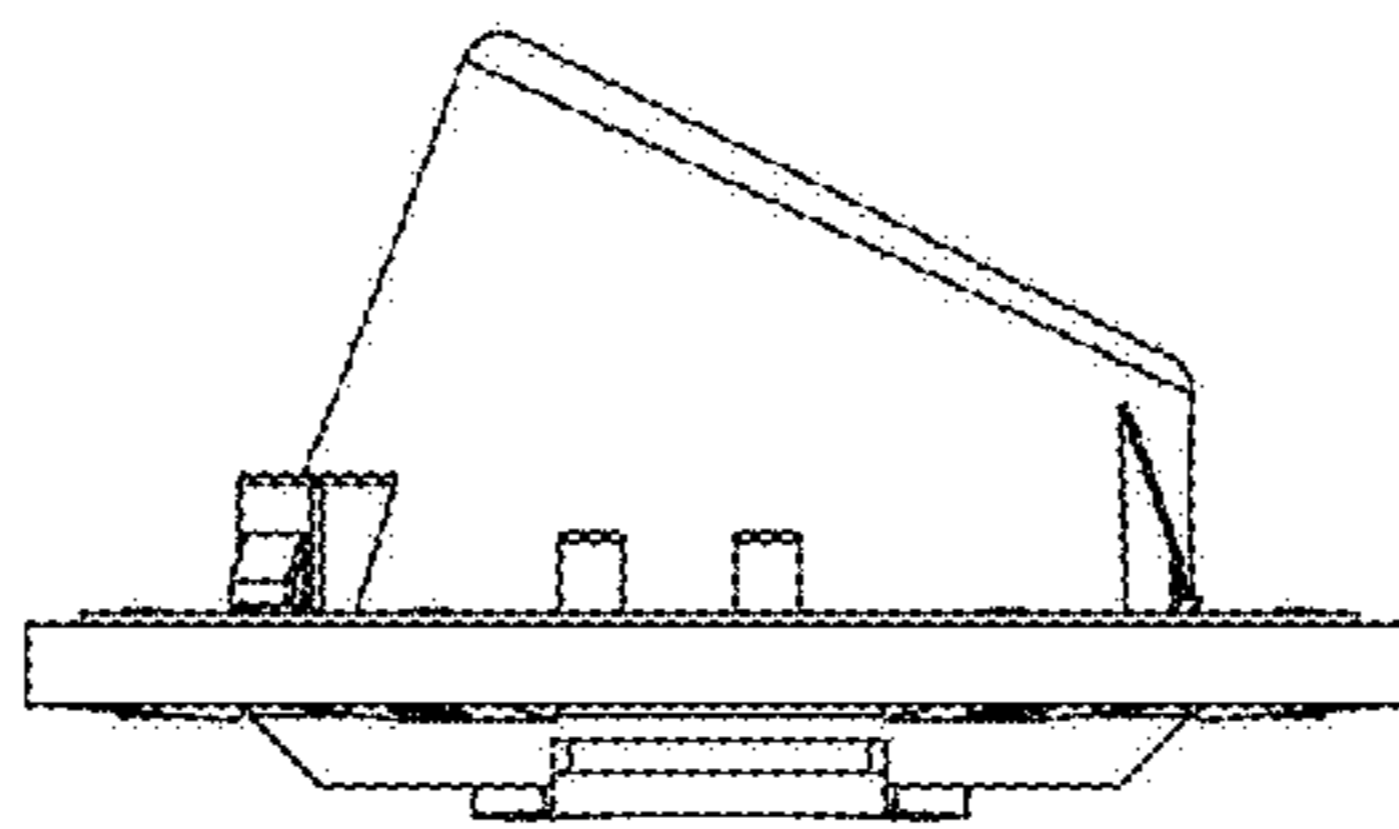


Fig. 5

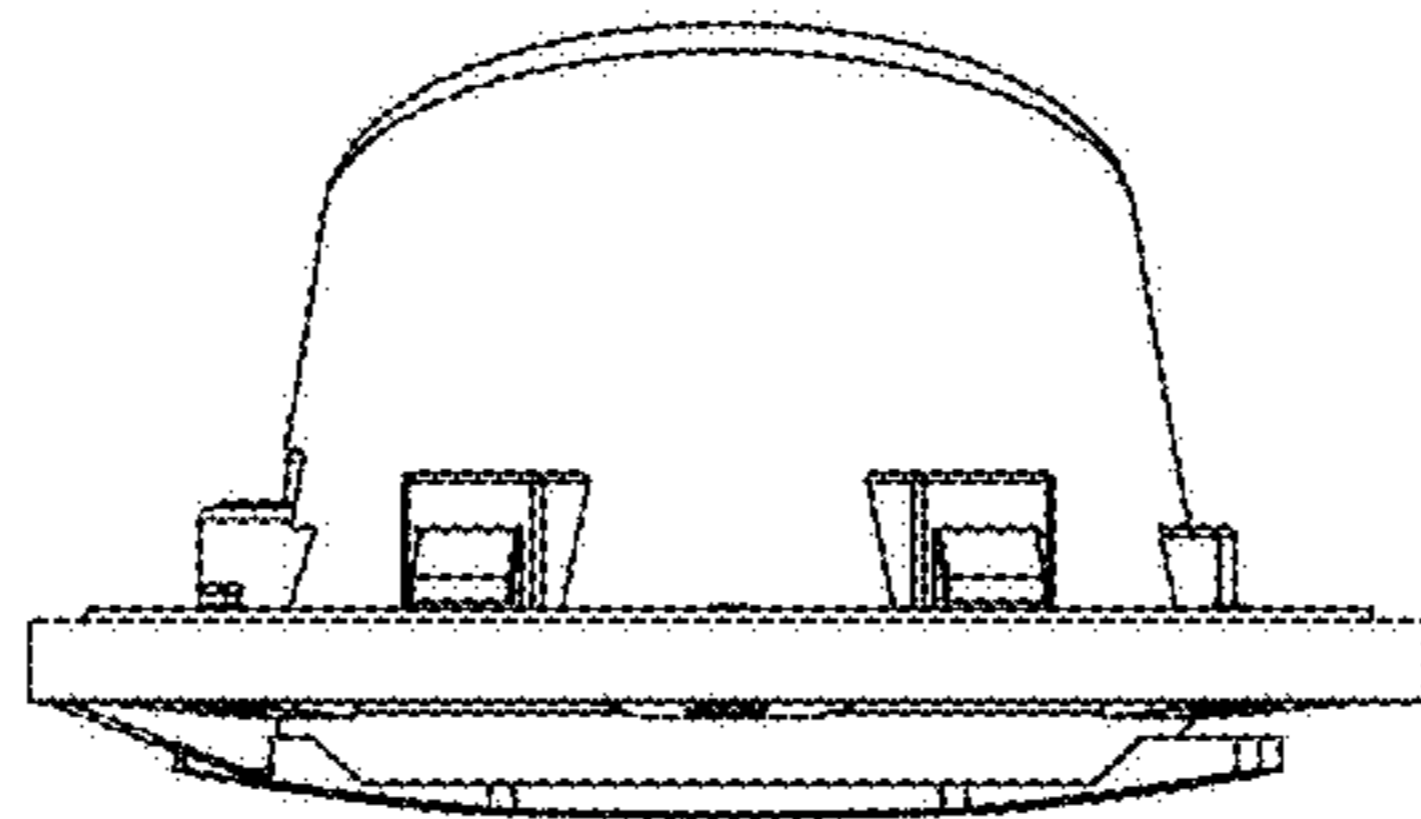


Fig. 6

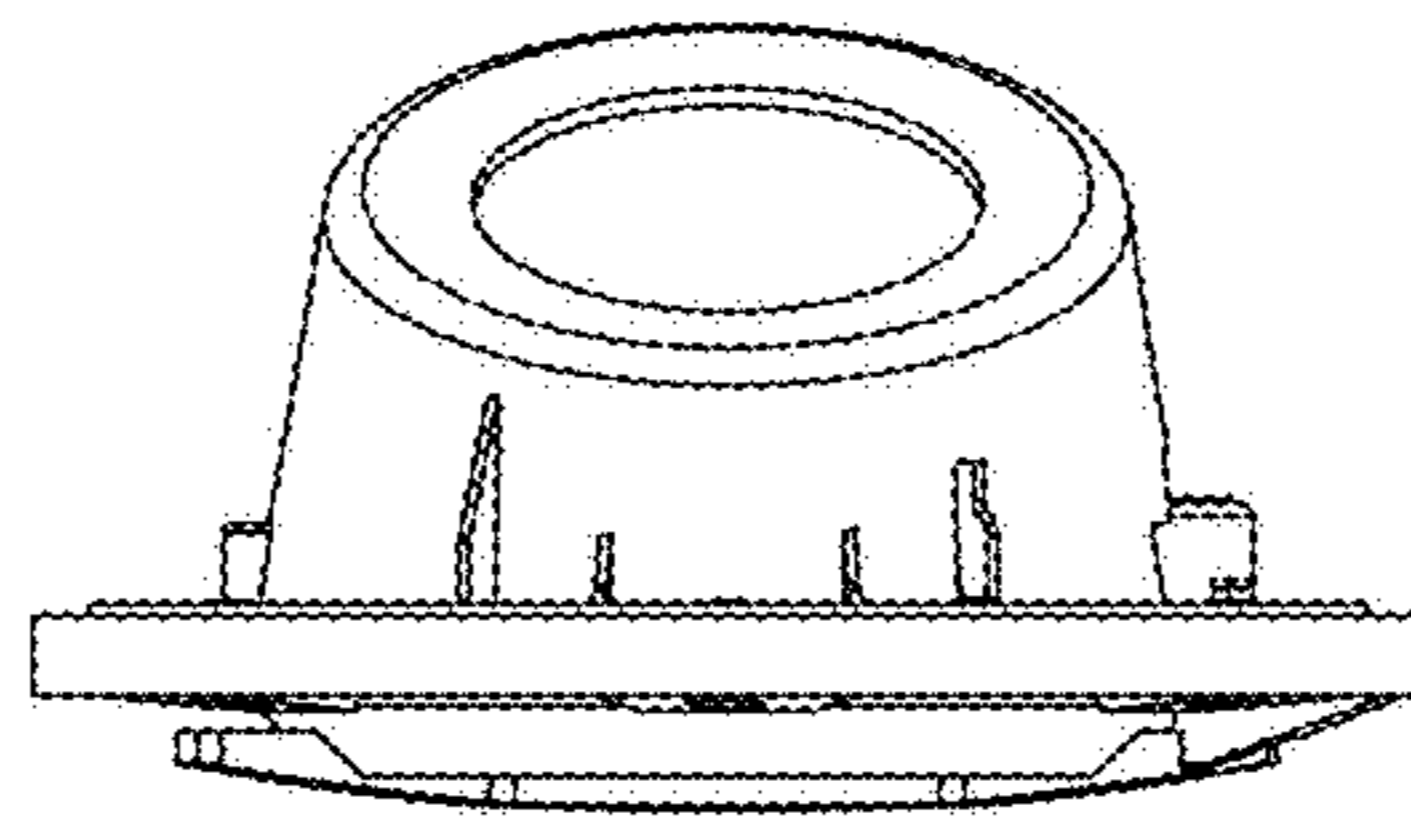


Fig. 7