



US00D842788S

(12) **United States Design Patent** (10) **Patent No.:** **US D842,788 S**
Wymore (45) **Date of Patent:** **** Mar. 12, 2019**

(54) **VEHICULAR SKID PLATE**
(71) Applicant: **Iddea California, LLC**, Brea, CA (US)
(72) Inventor: **Timothy J. Wymore**, Brea, CA (US)
(73) Assignee: **Iddea California, LLC**, Brea, CA (US)
(**) Term: **15 Years**

D781,587 S * 3/2017 Mangano D3/318
D793,294 S * 8/2017 Lee D12/169
D793,295 S * 8/2017 McCabe D12/169
D797,456 S * 9/2017 Chen D3/318
D797,616 S * 9/2017 Lee D12/169
D798,201 S * 9/2017 Zavatski D12/169
D800,621 S * 10/2017 Bucher D12/196
D801,236 S * 10/2017 Kozub D12/169
D803,738 S * 11/2017 Granlund D12/169
D807,255 S * 1/2018 Piscitelli D12/169

(21) Appl. No.: **29/623,835**
(22) Filed: **Oct. 27, 2017**
(51) **LOC (11) Cl.** **12-16**
(52) **U.S. Cl.**
USPC **D12/196**
(58) **Field of Classification Search**
USPC D12/86, 90, 91, 92, 163, 169, 171, 196,
D12/216
CPC B60R 19/02; B60R 19/04; B62D 25/00;
B62D 25/06; B62D 25/08; B62D 35/00
See application file for complete search history.

OTHER PUBLICATIONS

Google Search, aftermarket truck skid plates, web page <https://www.google.com/search?q=aftermarket+truck+skid+plates&source=lnms&tbn=shop&sa=X&ved+0ahUKEwiGuunUy7_YAhVJ3mMKHd9eCYAQ_AUICigB&biw=1329&bih=737>, Jan. 4, 2018, 32 pages.

* cited by examiner

Primary Examiner — Susan Bennett Hattan
Assistant Examiner — Suzanne E Tisdell
(74) *Attorney, Agent, or Firm* — Stetina Brunda Garred and Brucker

(56) **References Cited**

U.S. PATENT DOCUMENTS

D698,708 S * 2/2014 Rugar D12/169
D701,800 S * 4/2014 Campbell D12/169
D711,653 S * 8/2014 Pacetti D3/318
D712,322 S * 9/2014 Kobayashi D12/169
D712,805 S * 9/2014 Murkett D12/169
D742,119 S * 11/2015 Batista D3/318
D744,915 S * 12/2015 Curic D12/169
D751,003 S * 3/2016 Rugar D12/163
D751,007 S * 3/2016 Curic D12/169
D753,036 S * 4/2016 Curic D12/169
D758,259 S * 6/2016 Messale D12/169
D762,147 S * 7/2016 Messale D12/169
D763,143 S * 8/2016 Varga D12/169
D763,744 S * 8/2016 Behmer D12/169
D771,536 S * 11/2016 Wolff D12/169
D775,038 S * 12/2016 Frascella D12/169
D776,021 S * 1/2017 Kapitonov D12/169
D781,586 S * 3/2017 Reinhart D3/318

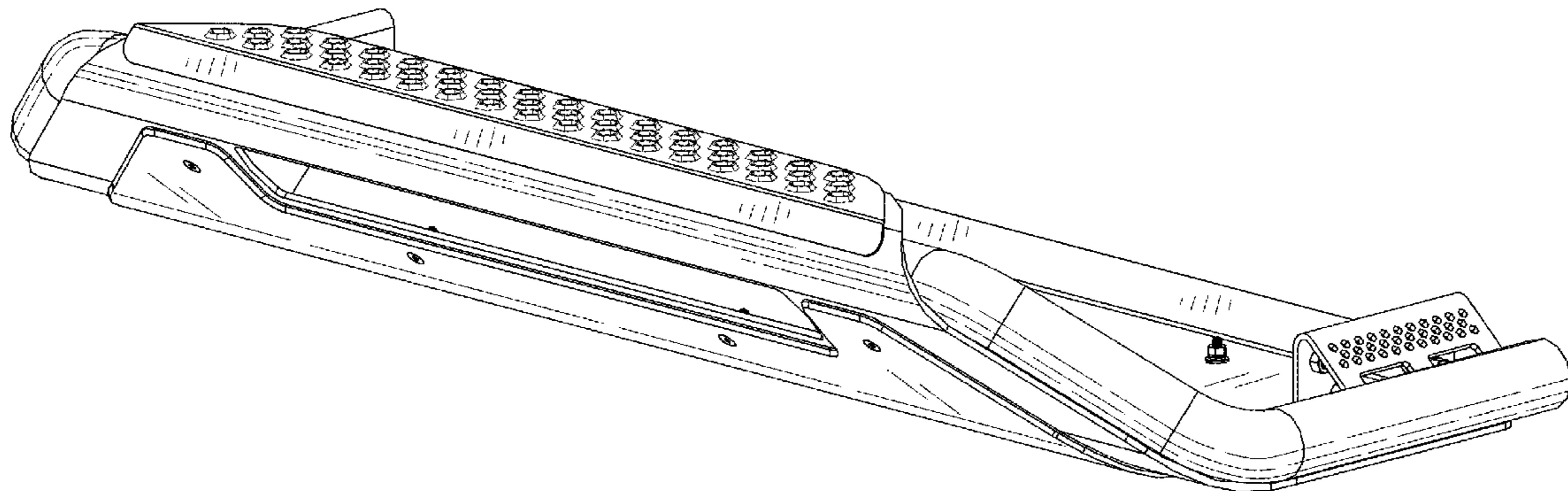
(57) **CLAIM**

The ornamental design for a vehicular skid plate, as shown and described.

DESCRIPTION

FIG. 1 is a front perspective view of the vehicular skid plate of the present invention showing my new design;
FIG. 2 is a top plan view thereof;
FIG. 3 is a front elevational view thereof;
FIG. 4 is a bottom plan view thereof;
FIG. 5 is a left side view thereof;
FIG. 6 is a right side view thereof;
FIG. 7 is a rear elevational view thereof; and,
FIG. 8 is a rear perspective view thereof.

1 Claim, 4 Drawing Sheets



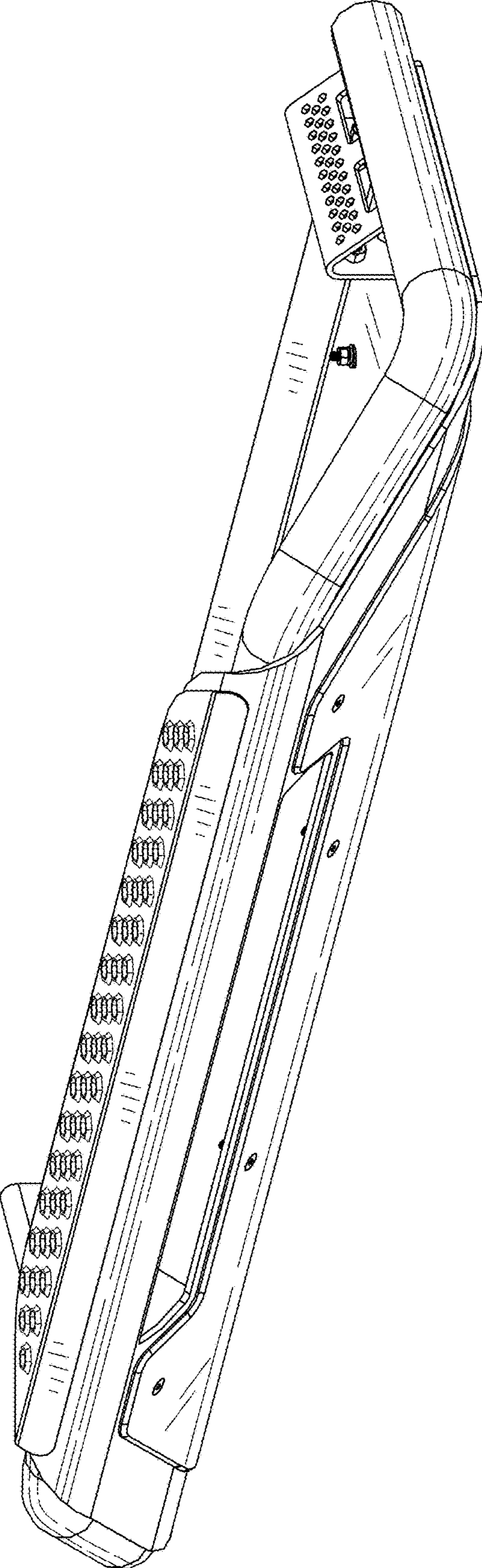


FIG. 1

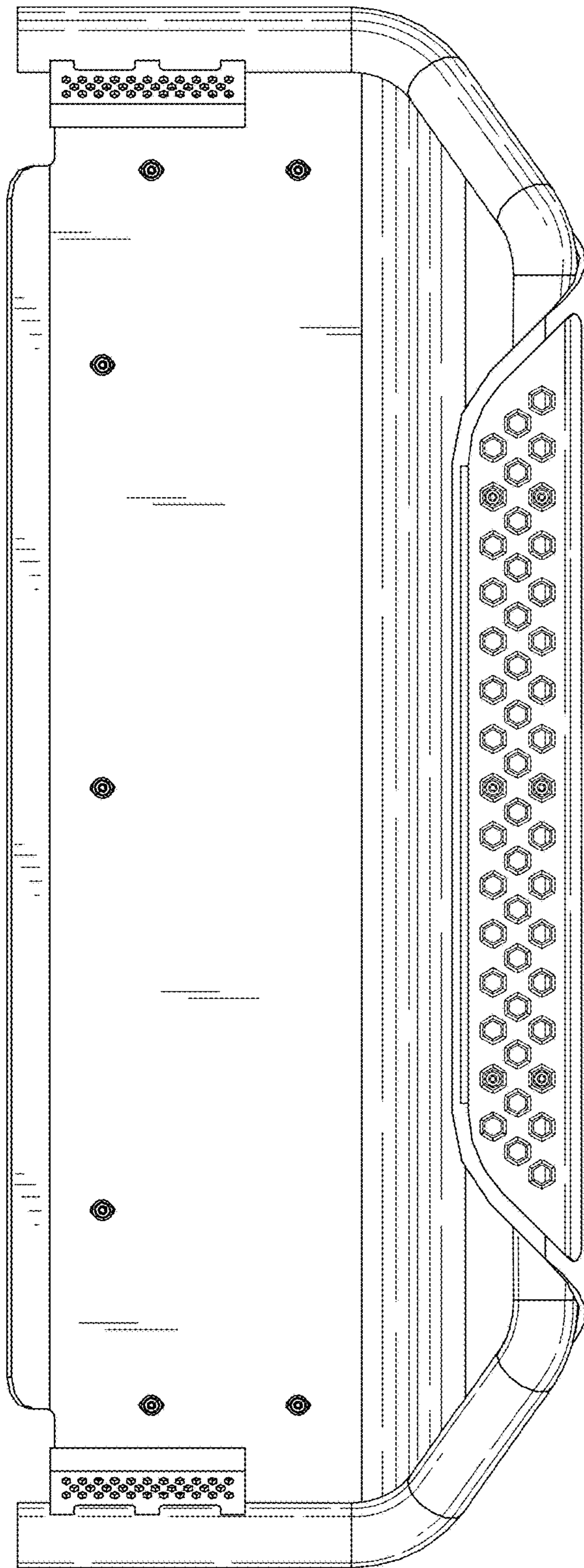


FIG. 2

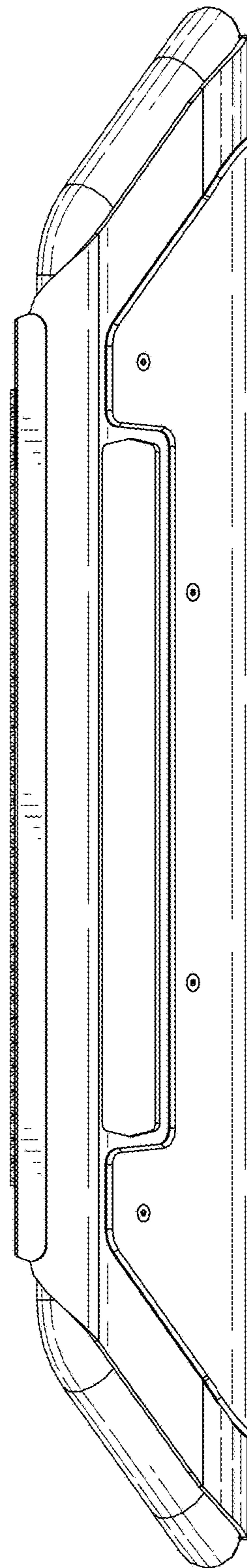


FIG. 3

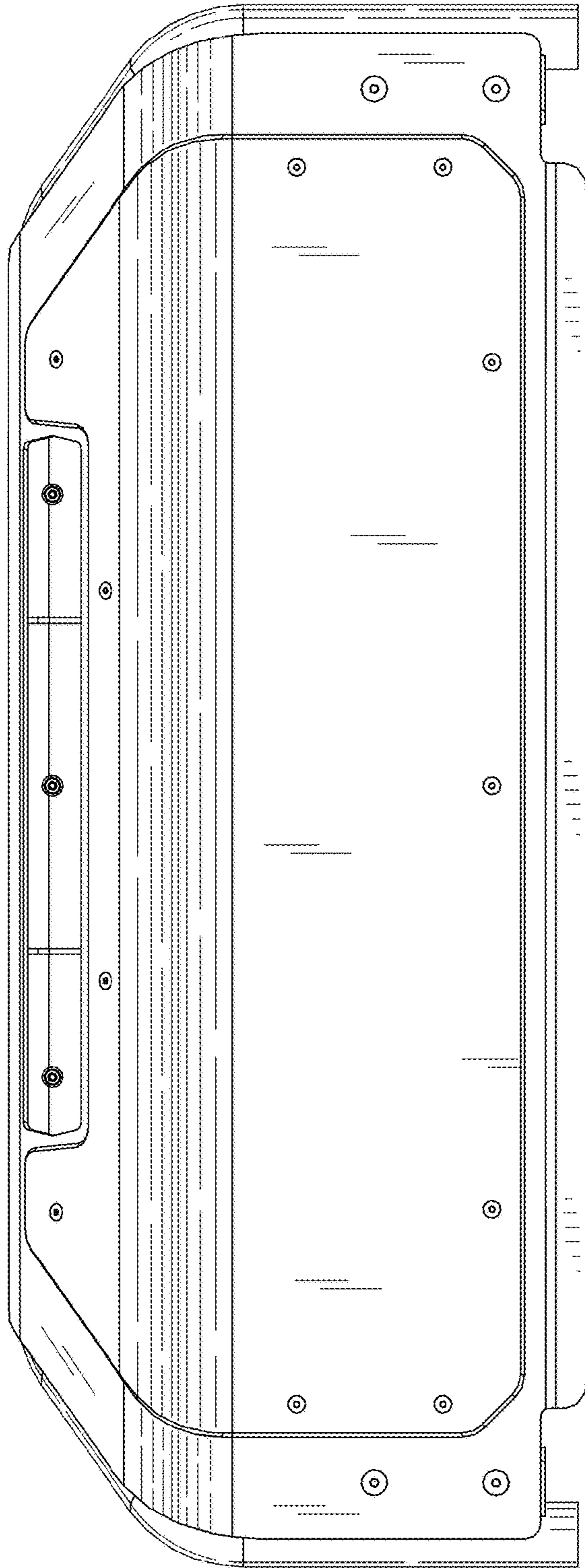


FIG. 4

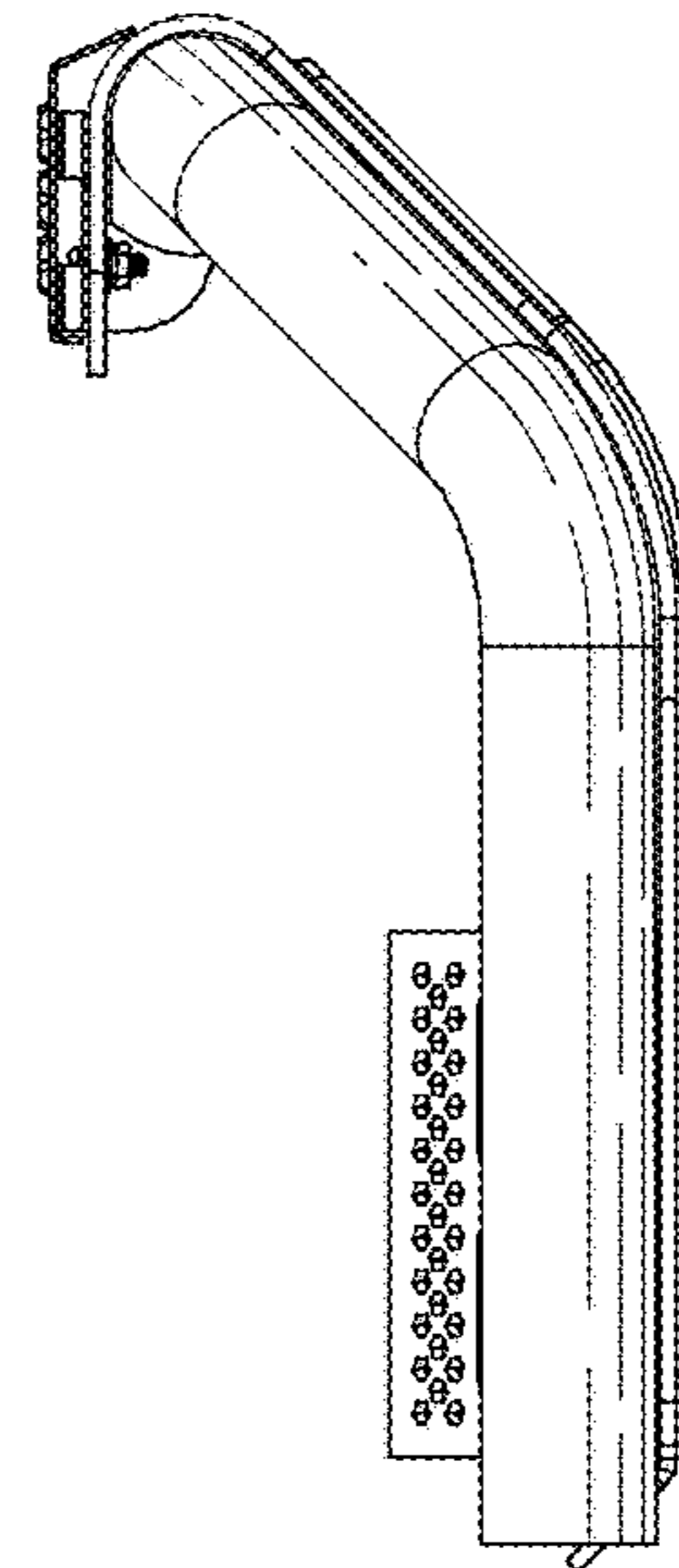


FIG. 5

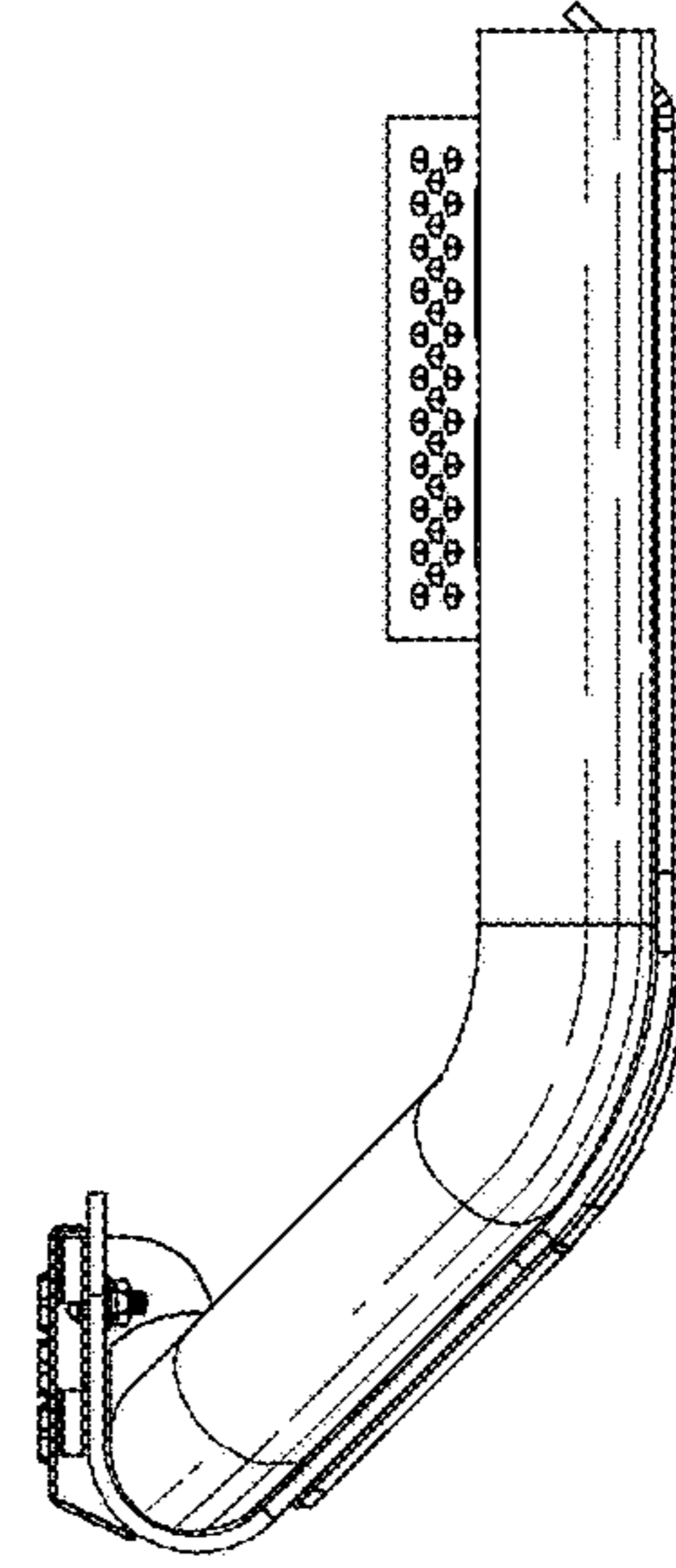


FIG. 6

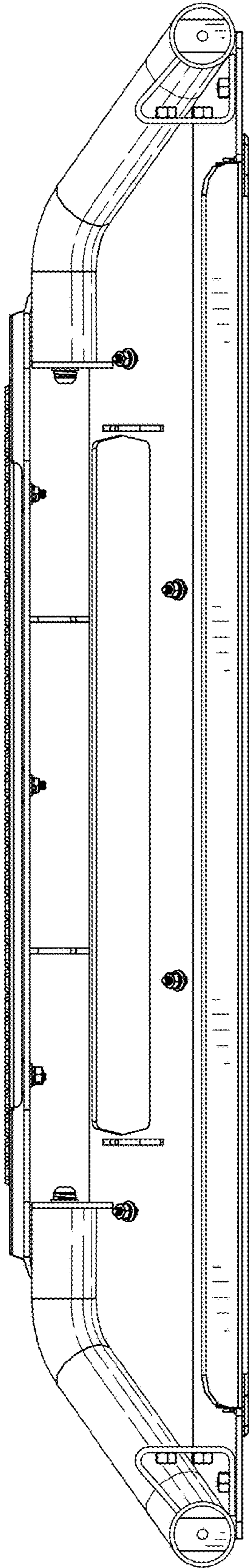


FIG. 7

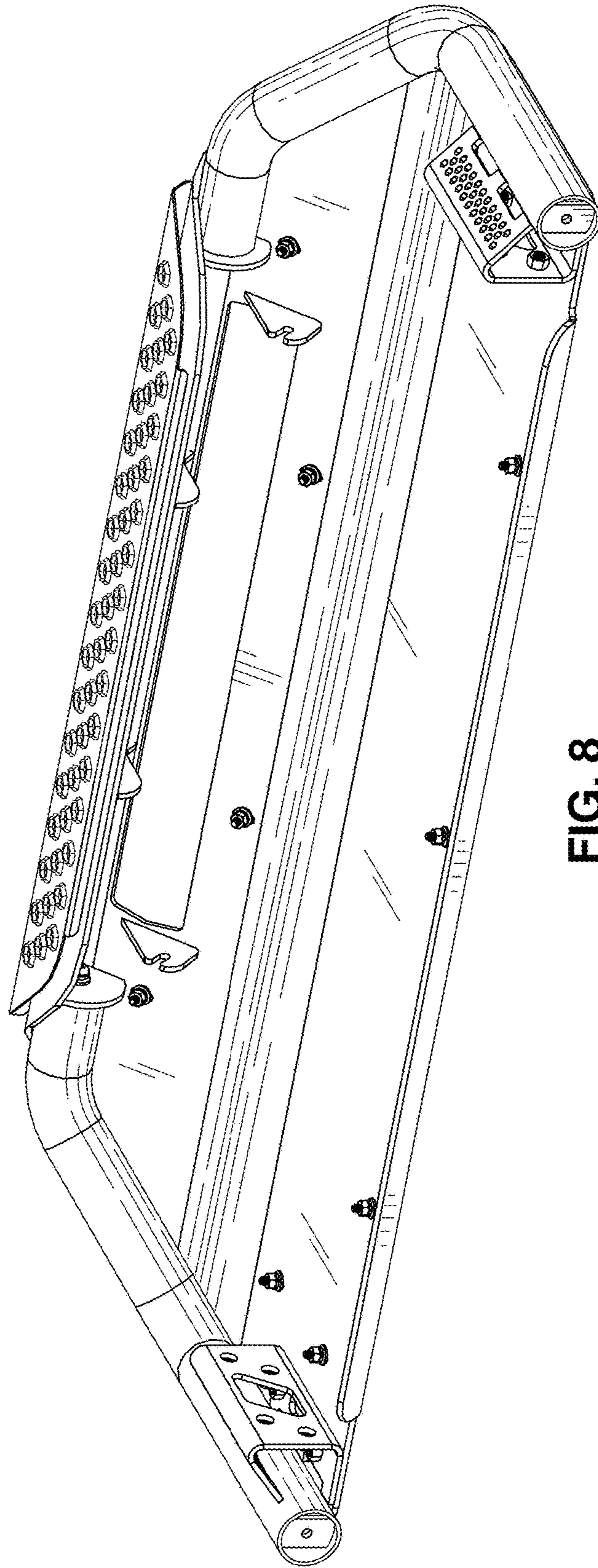


FIG. 8