



US00D842787S

(12) **United States Design Patent**  
**Manzoni**

(10) **Patent No.:** **US D842,787 S**  
(45) **Date of Patent:** **\*\* Mar. 12, 2019**

(54) **REAR COMPARTMENT AND REAR PANEL OF A CAR**

(71) Applicant: **Ferrari S.p.A.**, Modena (IT)

(72) Inventor: **Flavio Manzoni**, Maranello (IT)

(73) Assignee: **Ferrari S.p.A.**, Modena (IT)

(\*\*) Term: **15 Years**

(21) Appl. No.: **29/606,204**

(22) Filed: **Jun. 2, 2017**

(30) **Foreign Application Priority Data**

Dec. 2, 2016 (EM) ..... 003497106

(51) **LOC (11) Cl.** ..... **12-16**

(52) **U.S. Cl.**  
USPC ..... **D12/196**

(58) **Field of Classification Search**  
USPC ..... D12/86, 88, 90, 91, 92, 93, 96, 97, 167,  
D12/171, 172, 173, 181, 196, 400;  
D21/424, 433, 434; 296/181.1, 181.5  
CPC ..... B62D 25/00; B62D 25/06; B62D 25/08;  
B62D 33/00; B62D 35/00  
See application file for complete search history.

(56) **References Cited**

**U.S. PATENT DOCUMENTS**

D701,147 S \* 3/2014 Saracoglu ..... D12/92  
D704,102 S \* 5/2014 Nurnberger ..... D12/92  
D741,226 S \* 10/2015 Callum ..... D12/92

D755,674 S \* 5/2016 Perini ..... D12/88  
D768,035 S \* 10/2016 Goto ..... D12/88  
D780,063 S \* 2/2017 Stephenson ..... D12/88  
D780,635 S \* 3/2017 O'Connell ..... D12/92  
D781,747 S \* 3/2017 Stephenson ..... D12/88  
D781,749 S \* 3/2017 Perini ..... D12/88  
D793,909 S \* 8/2017 Jeung ..... D12/92  
D797,607 S \* 9/2017 Preuninger ..... D12/92  
D801,871 S \* 11/2017 Manzoni ..... D12/92  
D805,435 S \* 12/2017 Baum ..... D12/92  
D805,436 S \* 12/2017 Yamashita ..... D12/92  
D805,963 S \* 12/2017 Varga ..... D12/92  
D808,862 S \* 1/2018 Ujhasi ..... D12/92

\* cited by examiner

*Primary Examiner* — Ian Simmons

*Assistant Examiner* — Yolanda Robinson

(74) *Attorney, Agent, or Firm* — Cowan, Liebowitz & Latman P.C.

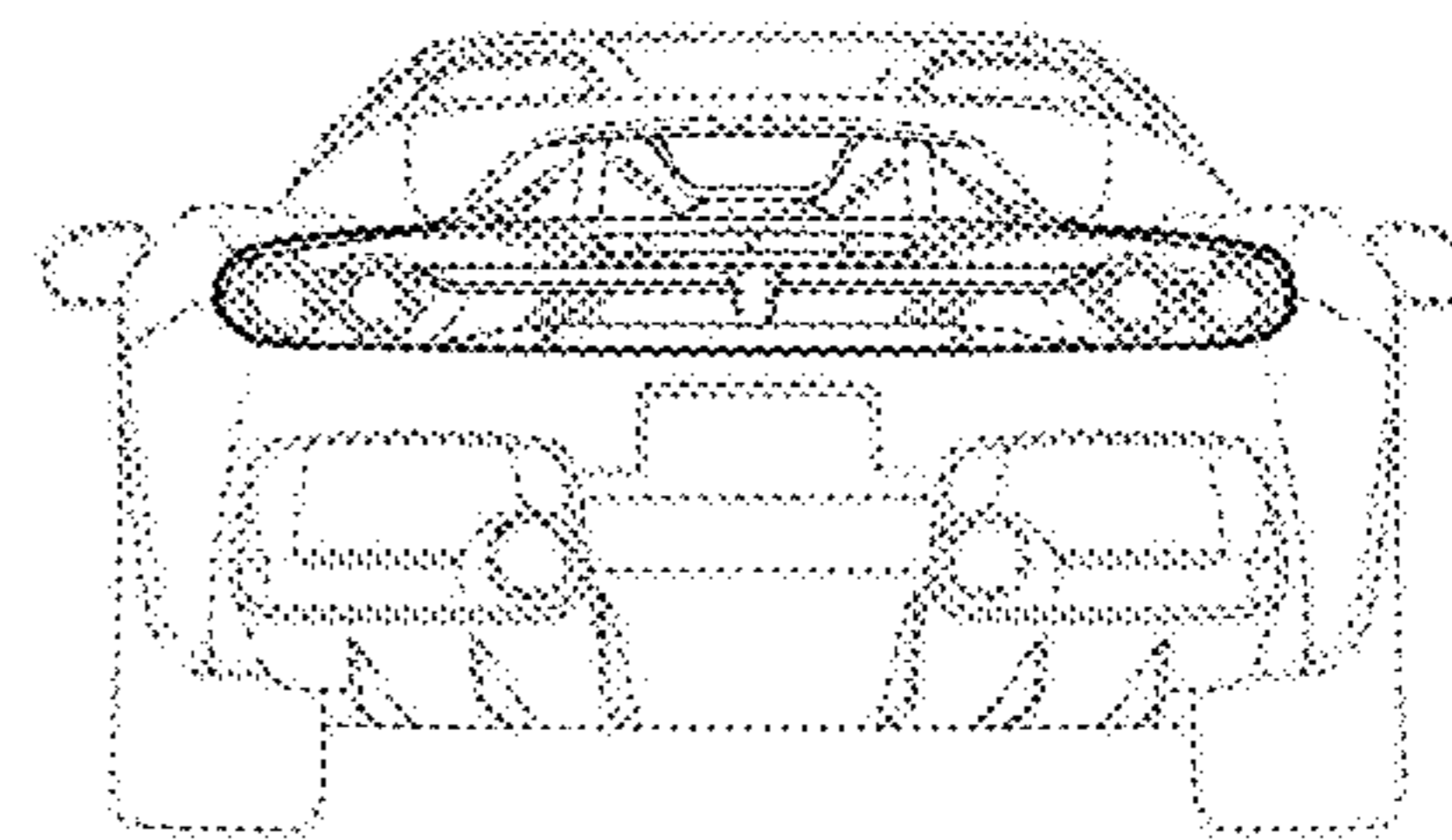
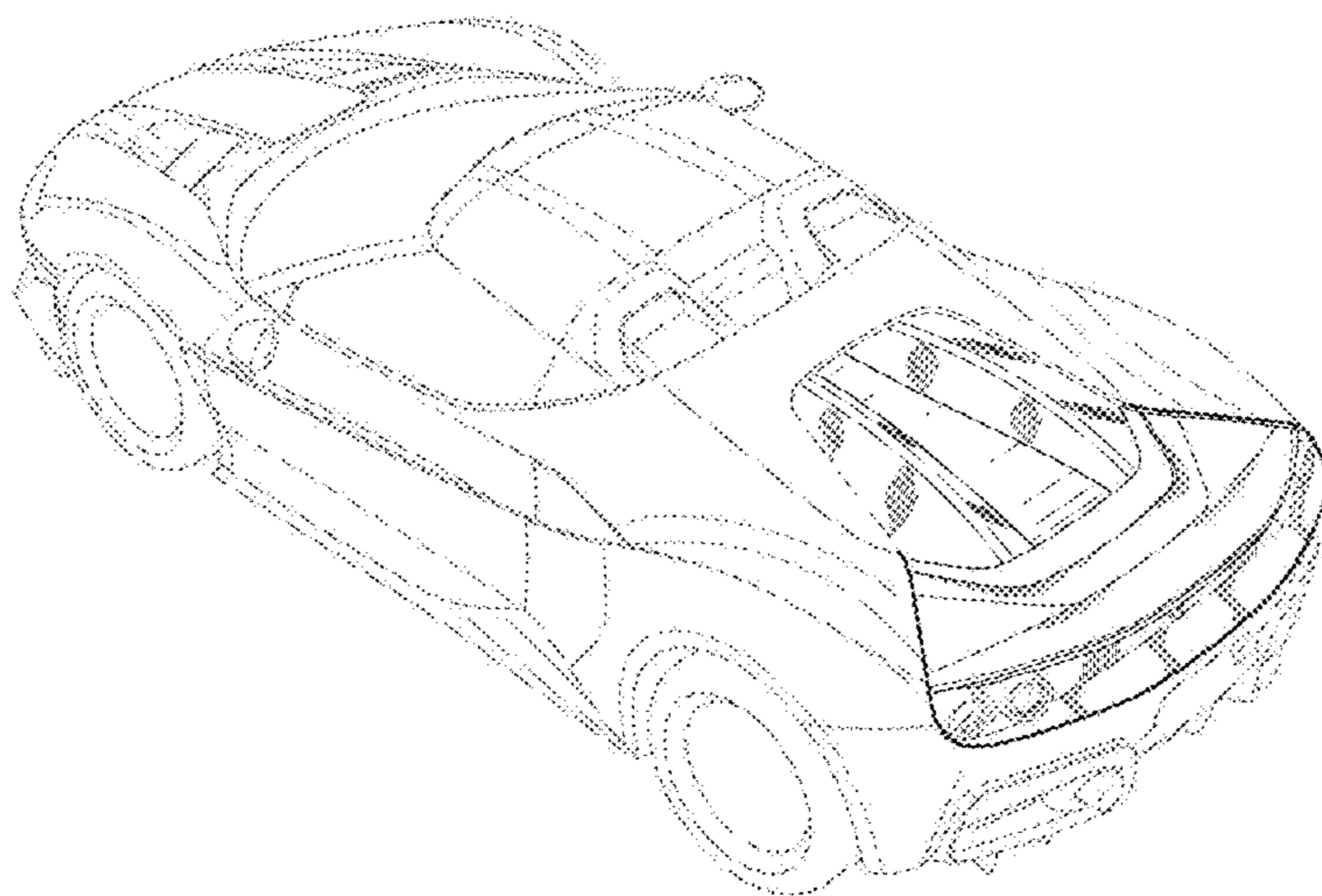
(57) **CLAIM**

The ornamental design for a rear compartment and rear panel of a car, as shown and described.

**DESCRIPTION**

The entire disclosure of U.S. application Ser. No. 29/606, 194 filed on Jun. 2, 2017 is incorporated herein by reference. FIG. 1 is a front perspective view of the rear compartment and rear panel of a car showing my design thereof; FIG. 2 is a rear view thereof; and, FIG. 3 is a top plan view thereof. Portions of the car shown in broken lines form no part of the claimed design.

**1 Claim, 3 Drawing Sheets**



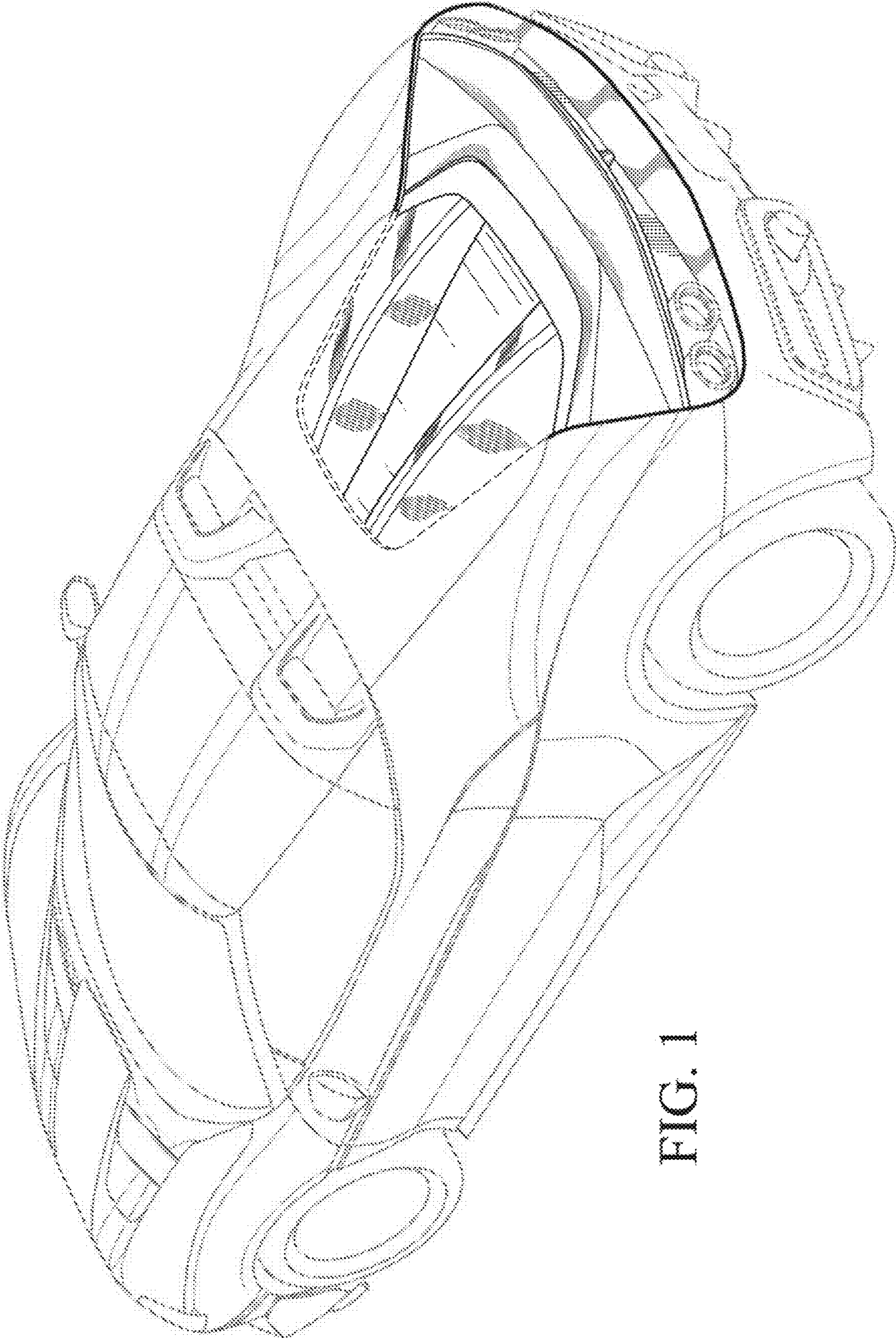


FIG. 1



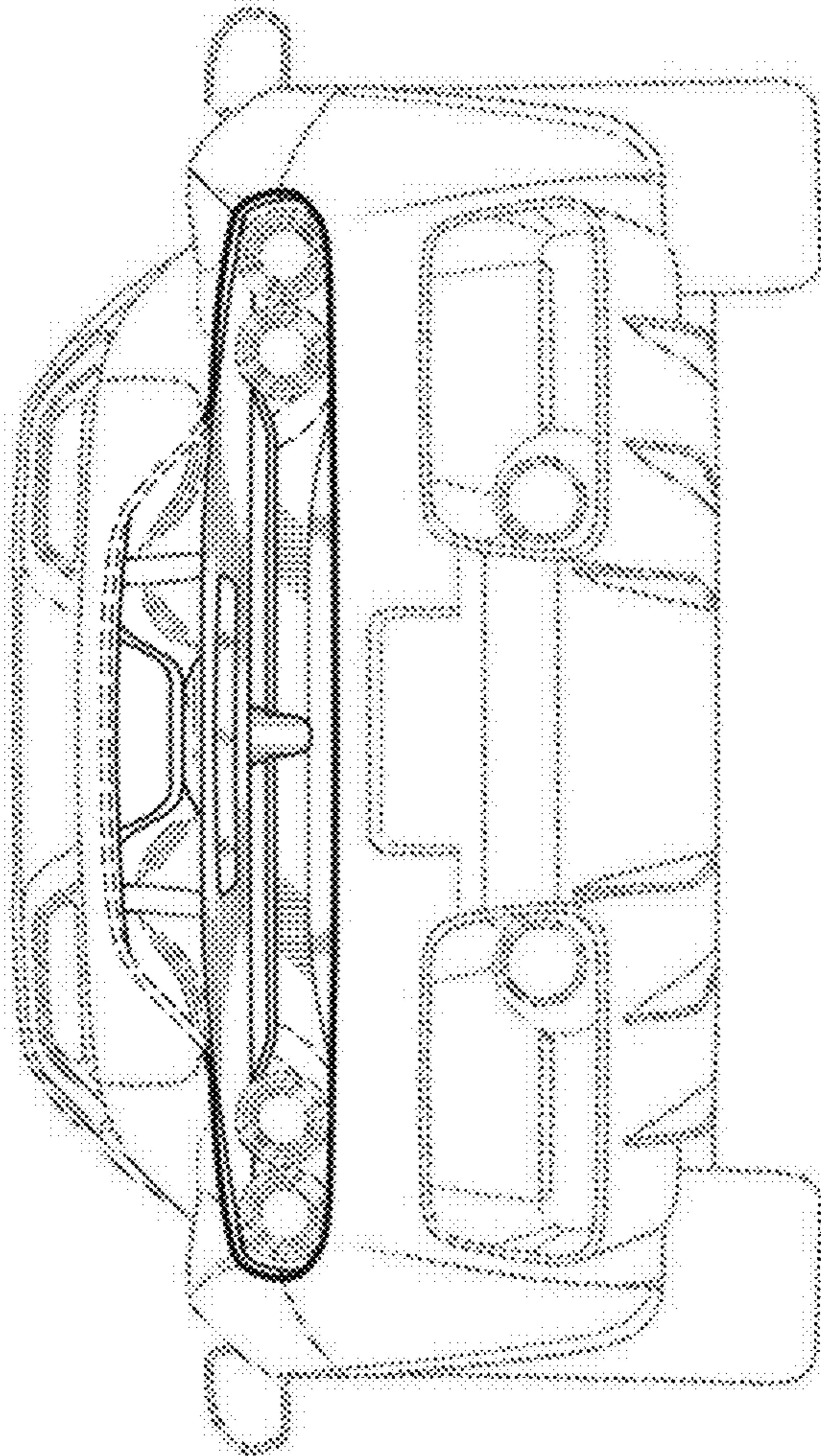


FIG. 2

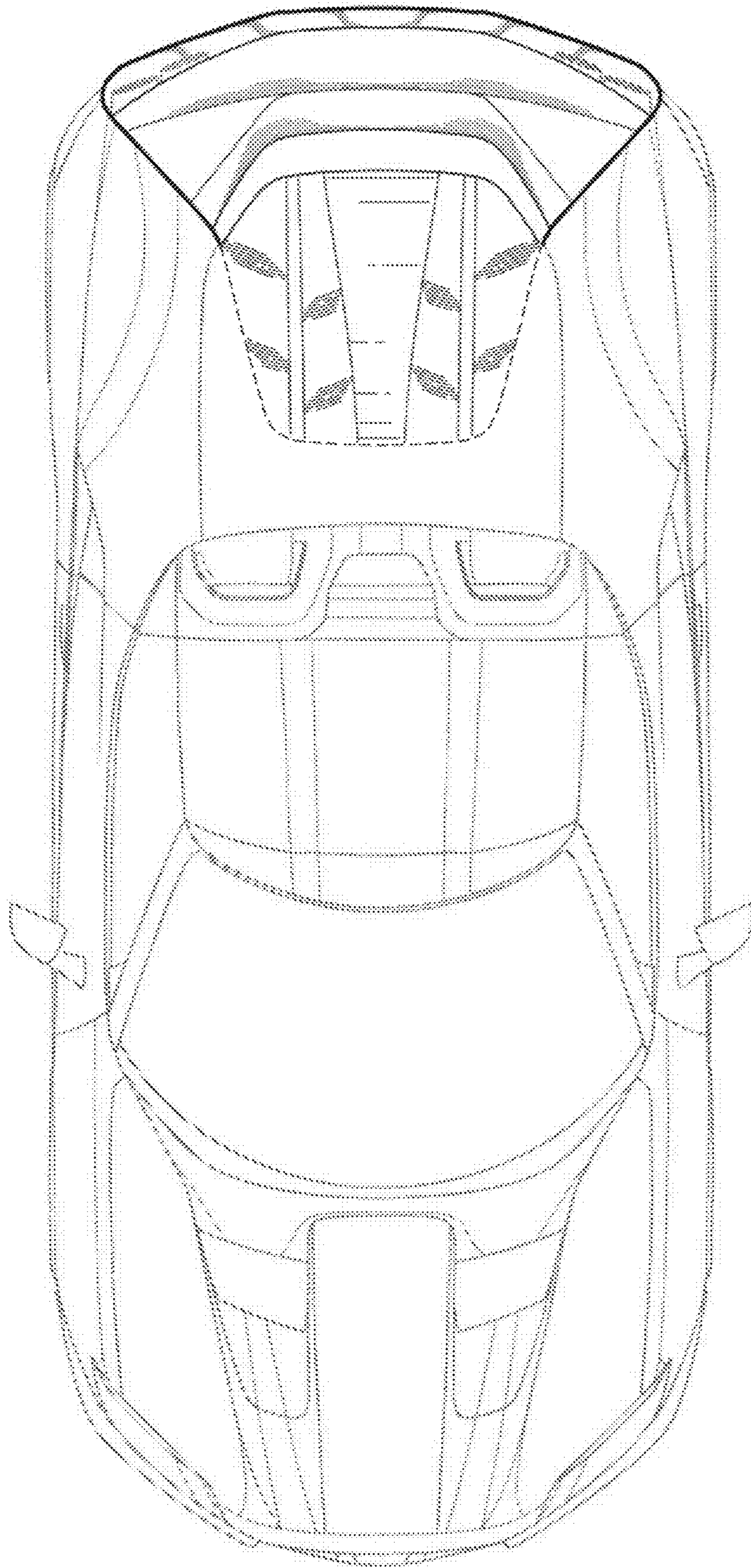


FIG. 3