



US00D842785S

(12) **United States Design Patent**  
**Balicki et al.**

(10) **Patent No.:** **US D842,785 S**  
(45) **Date of Patent:** **\*\* Mar. 12, 2019**

- (54) **VEHICLE INTERIOR**
- (71) Applicant: **Volvo Lastvagnar AB**, Göteborg (SE)
- (72) Inventors: **Brian Balicki**, Kernersville, NC (US);  
**Philip Ma**, Northville, MI (US);  
**Dwayne Patterson**, Detroit, MI (US)
- (73) Assignee: **VOLVO LASTVAGNAR AB**,  
Gothenburg (SE)
- (\*\*) Term: **15 Years**
- (21) Appl. No.: **29/600,063**
- (22) Filed: **Apr. 10, 2017**
- (51) **LOC (11) Cl.** ..... **12-08**
- (52) **U.S. Cl.**  
USPC ..... **D12/195**
- (58) **Field of Classification Search**  
USPC ..... D12/195, 193, 414, 190, 196; D15/17,  
D15/28; D10/46, 98, 102-103;  
D8/302-303  
CPC ..... B60J 5/04  
See application file for complete search history.

D788,000 S *	5/2017	LeFranc	.....	D12/195
D793,315 S *	8/2017	Niemiec	.....	D12/195
D796,403 S *	9/2017	Ahn	.....	D12/195
D812,538 S *	3/2018	Lokers	.....	D12/195
D818,921 S *	5/2018	Pelletier	.....	D12/195
D822,397 S *	7/2018	Waterhouse	.....	D6/356

**OTHER PUBLICATIONS**

Images of Volvo VNL Truck, released 2002, 2 pages, Jan. 1, 2002.

\* cited by examiner

*Primary Examiner* — Katrina A Betton

(74) *Attorney, Agent, or Firm* — Tucker Ellis LLP

(57) **CLAIM**

The ornamental design for a vehicle interior, as shown and described.

**DESCRIPTION**

FIG. 1 is a driver's side cut-away perspective view of a vehicle interior showing our new design.

FIG. 2 is a passenger's side cut-away perspective view thereof.

FIG. 3 is a roof cut-away perspective view thereof.

FIG. 4 is a rear cut-away perspective view thereof, with driver and passenger seats removed.

FIG. 5 is a front cut-away perspective view thereof.

FIG. 6 is a downward looking perspective view thereof.

FIG. 7 is a forward looking perspective view thereof; and,

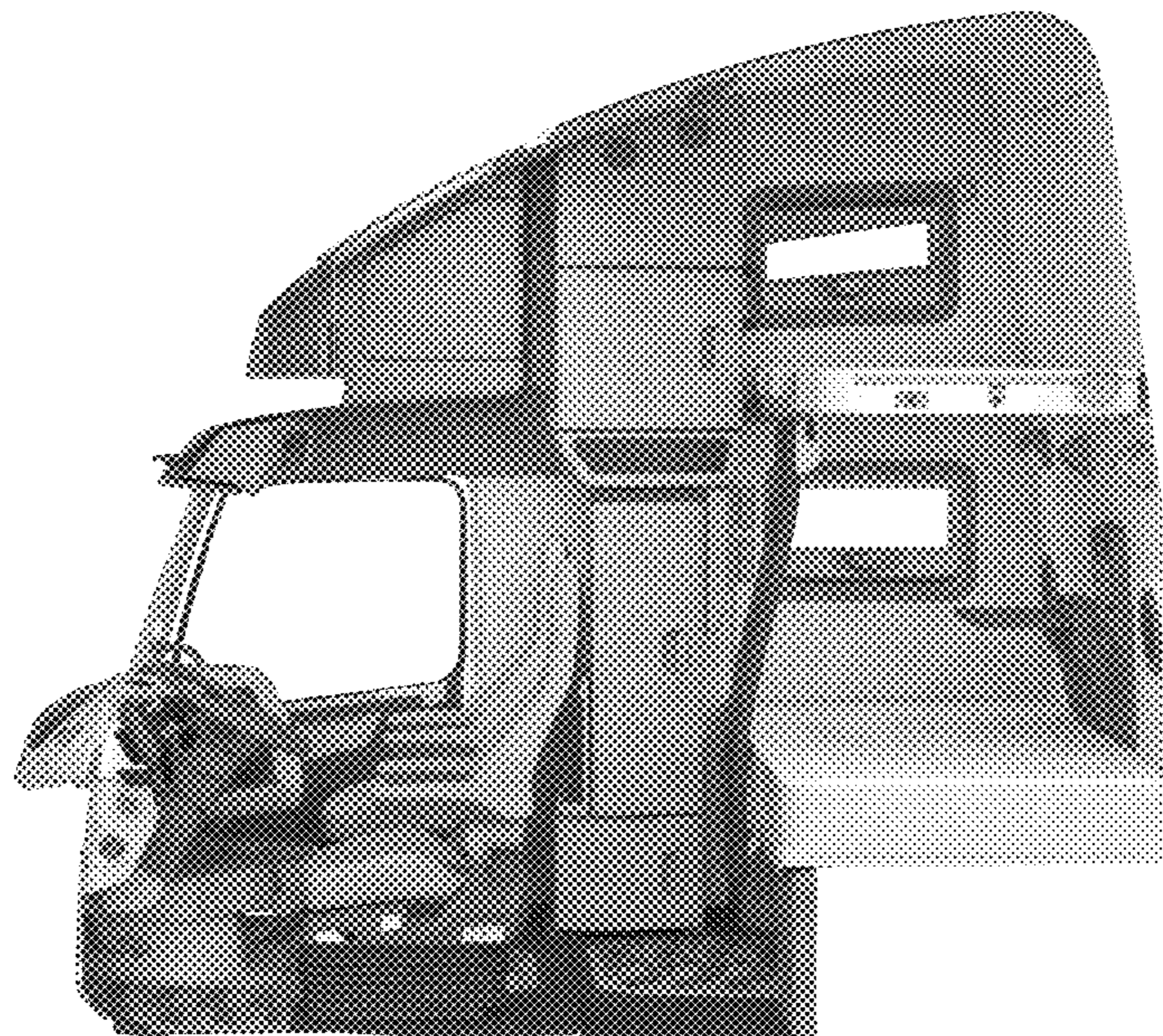
FIG. 8 is a forward-right looking perspective view thereof.

**1 Claim, 8 Drawing Sheets**

(56) **References Cited**

**U.S. PATENT DOCUMENTS**

D666,544 S *	9/2012	Tsay	.....	D12/195
D764,991 S *	8/2016	Woodhouse	.....	D12/195
D766,790 S *	9/2016	Sethapun	.....	D12/195
D770,349 S *	11/2016	Ahn	.....	D12/195



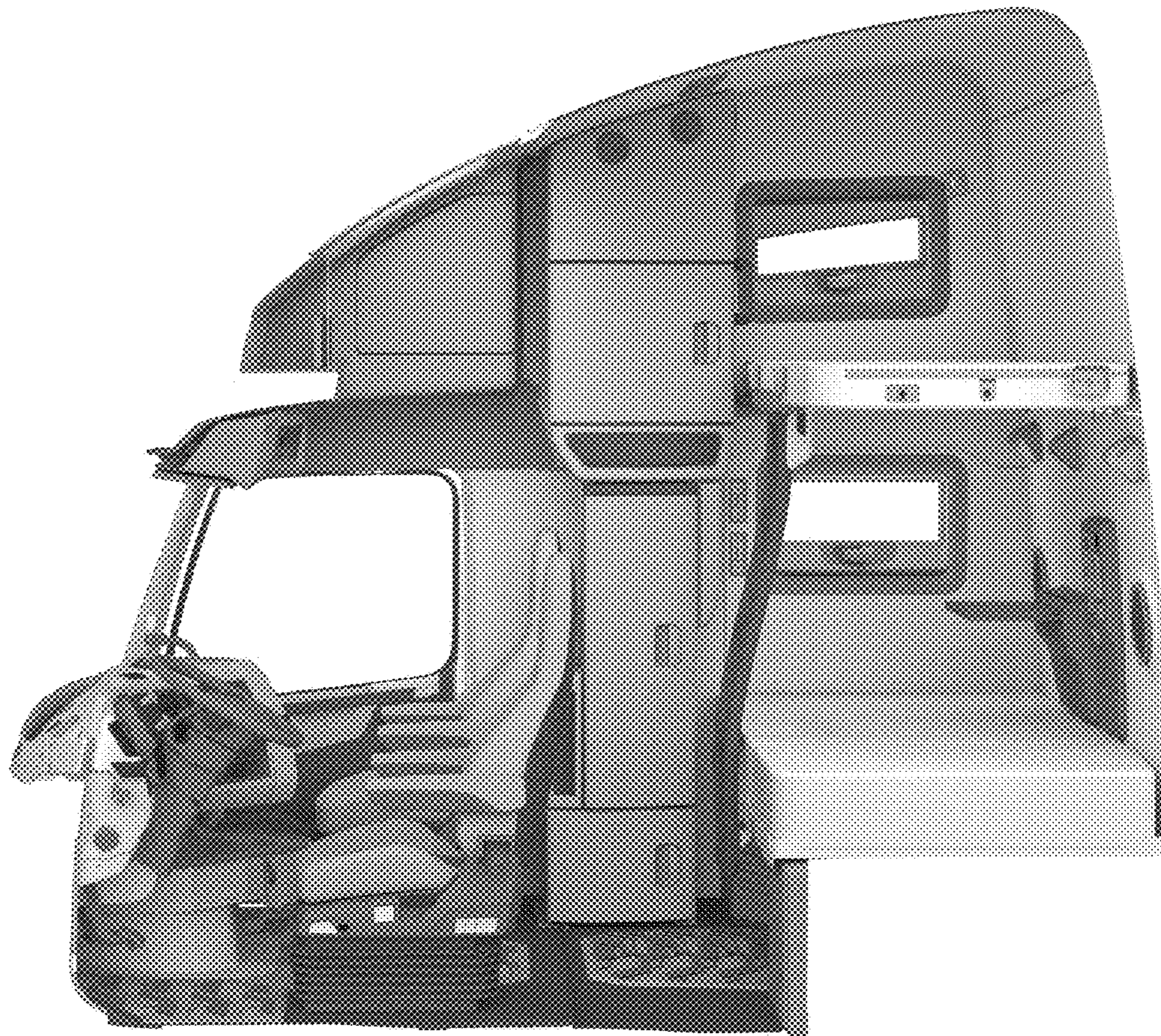


FIG. 1

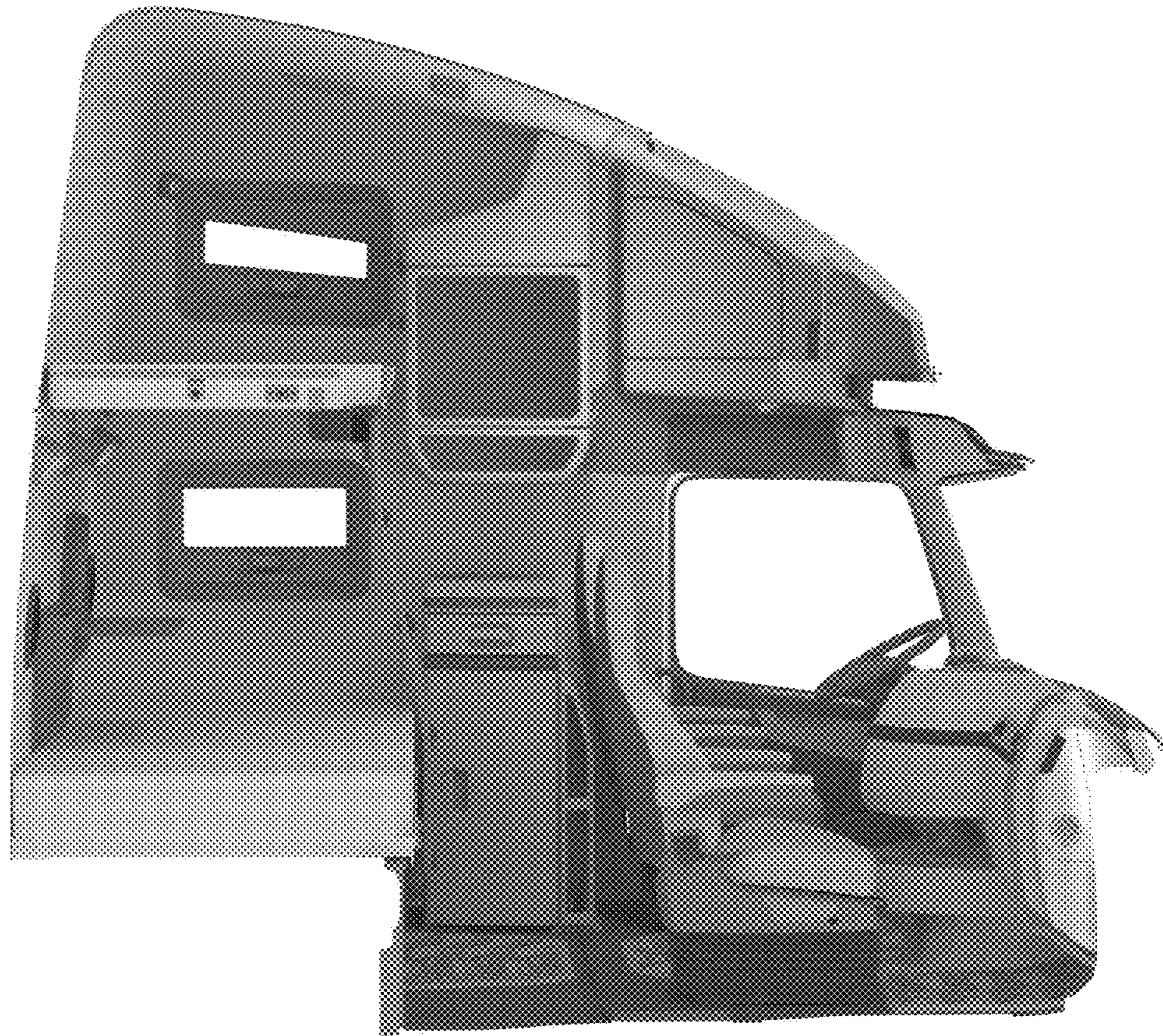


FIG. 2

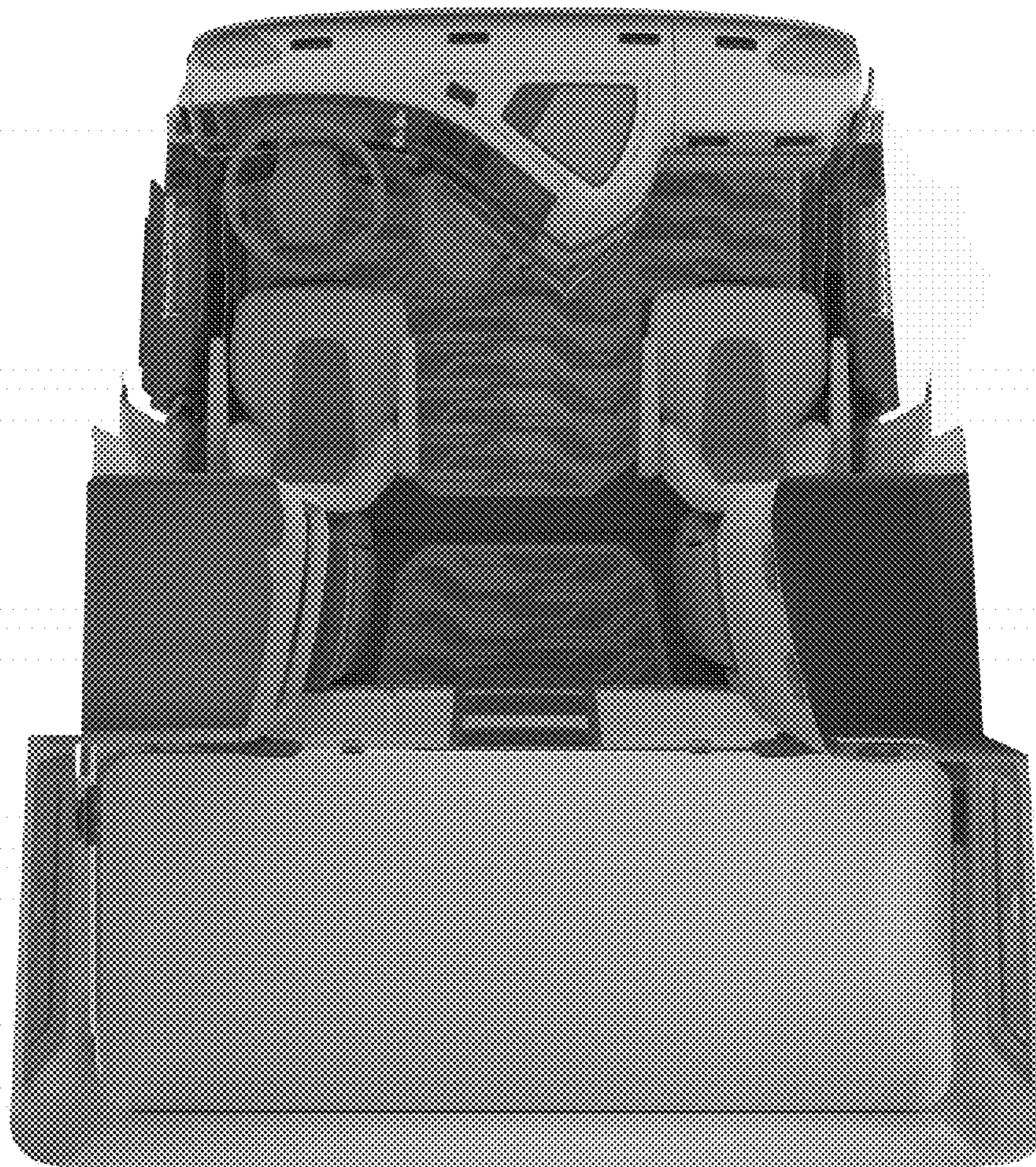


FIG. 3

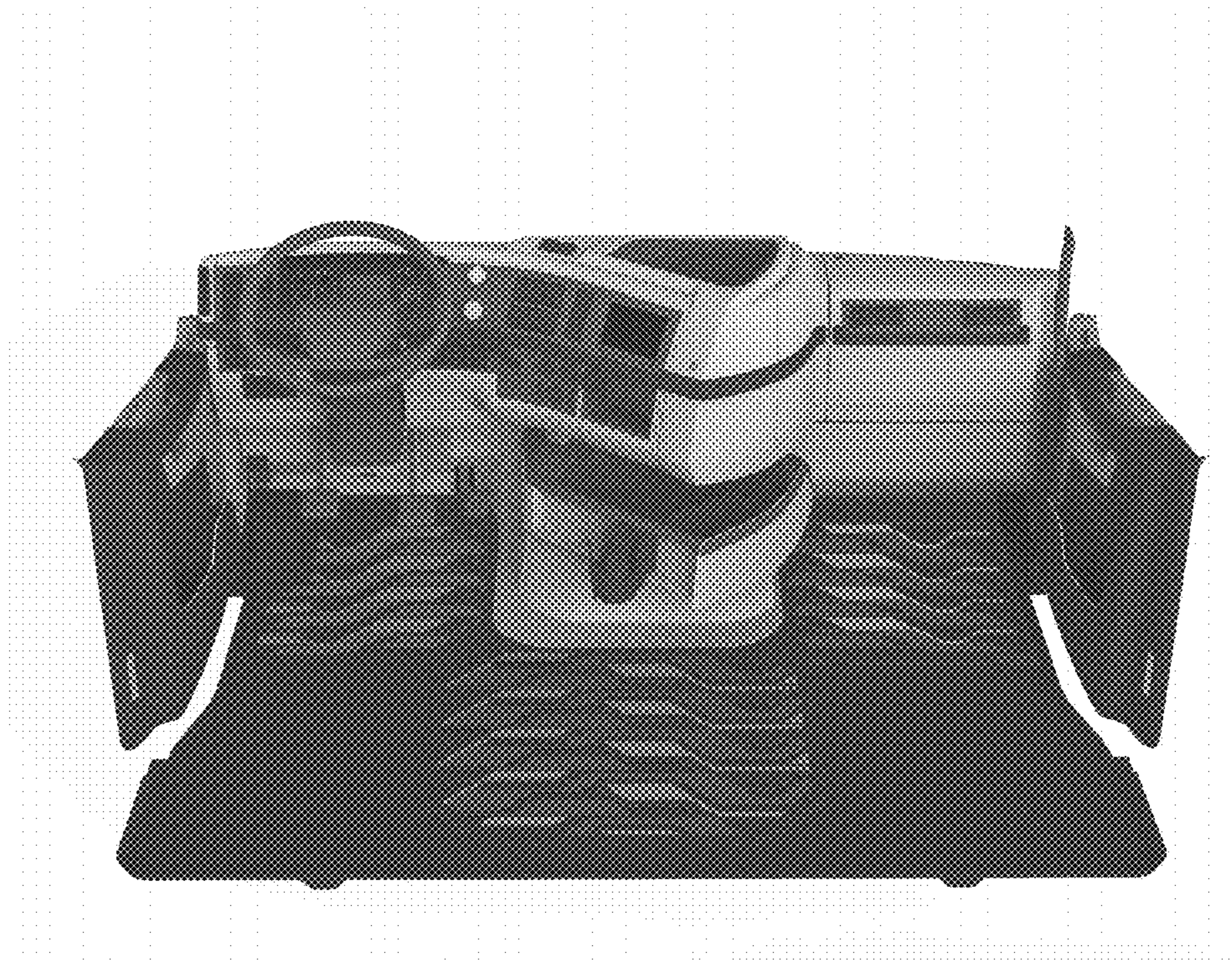


FIG. 4

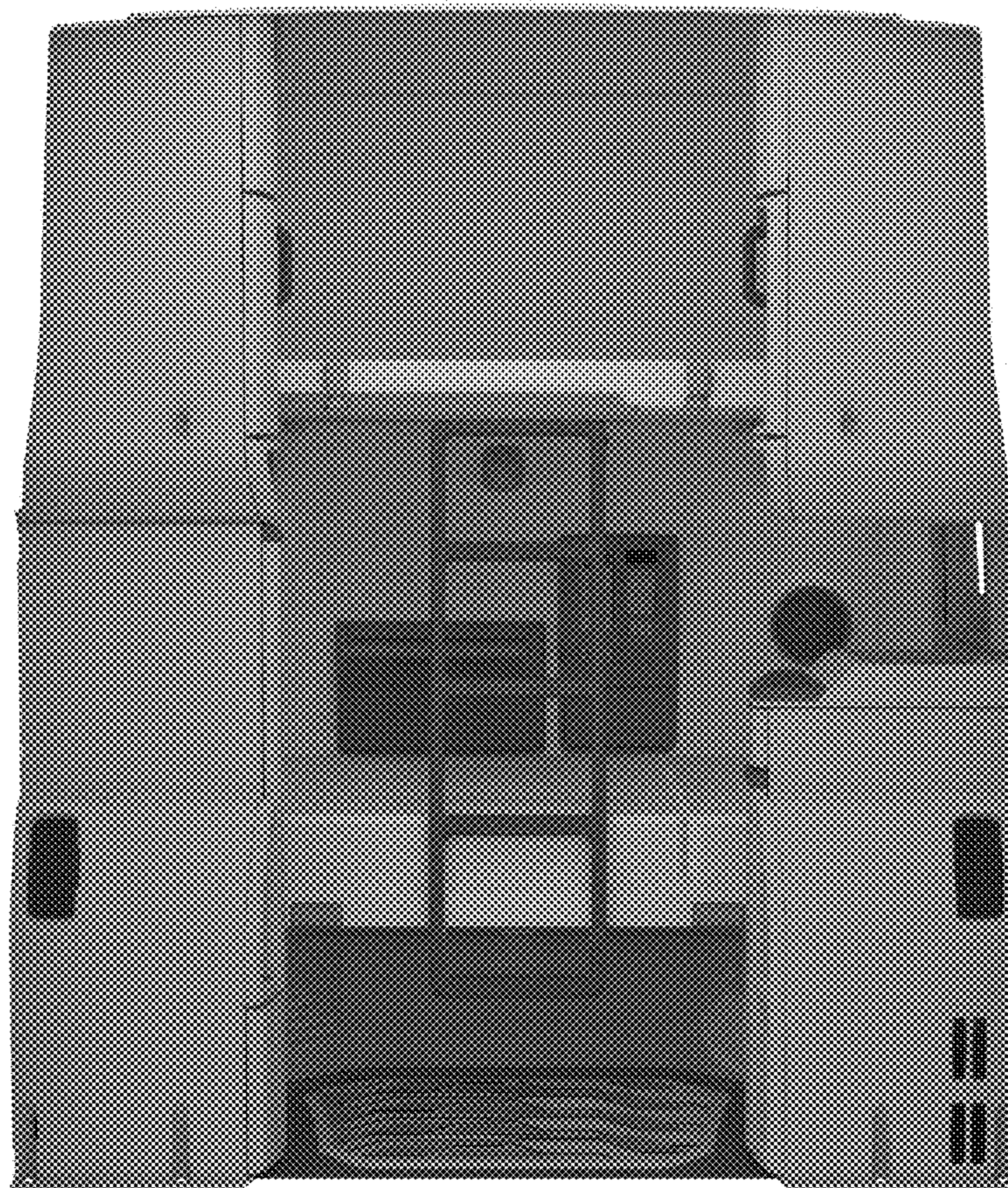


FIG. 5



FIG. 6



FIG. 7





FIG. 8