



US00D842782S

(12) **United States Design Patent**
Verdelli et al.

(10) **Patent No.:** **US D842,782 S**
(45) **Date of Patent:** **** Mar. 12, 2019**

(54) **DISC BRAKE CALIPER**
(71) Applicant: **FRENI BREMBO S.p.A.**, Curno
(Bergamo) (IT)
(72) Inventors: **Gabriele Verdelli**, Curno (IT);
Pierangelo Gherardi, Curno (IT)
(73) Assignee: **FRENI BREMBO S.p.A.**, Curno,
Bergamo (IT)

D623,102 S * 9/2010 Gherardi D12/180
8,887,875 B2 * 11/2014 Gherardi F16D 55/224
188/71.1
9,388,870 B2 * 7/2016 Cesani F16D 65/18
D805,012 S * 12/2017 Crippa D12/180
2012/0145492 A1 * 6/2012 Gherardi F16D 55/224
188/73.31
2015/0122597 A1 * 5/2015 Shimamura F16D 55/228
188/72.4

* cited by examiner

(**) Term: **15 Years**

Primary Examiner — Cynthia Ramirez

(21) Appl. No.: **29/590,013**

Assistant Examiner — Gino Colan

(22) Filed: **Jan. 6, 2017**

(74) *Attorney, Agent, or Firm* — Merchant & Gould P.C.

(30) **Foreign Application Priority Data**

Jul. 8, 2016 (IT) 402016000071481

(51) **LOC (11) Cl.** **12-16**

(52) **U.S. Cl.**
USPC **D12/180**

(58) **Field of Classification Search**
USPC D12/179, 180; 188/72.3, 73.31, 72.4,
188/73.46, 72.5, 18 A, 72.1, 73.39
CPC F16D 55/226; F16D 65/0068; F16D 65/18;
F16D 2055/0016; F16D 65/183; F16D
65/58

See application file for complete search history.

(56) **References Cited**

U.S. PATENT DOCUMENTS

D512,352 S * 12/2005 Veneziano D12/180
7,766,132 B2 * 8/2010 Veneziano F16D 55/22
188/73.39

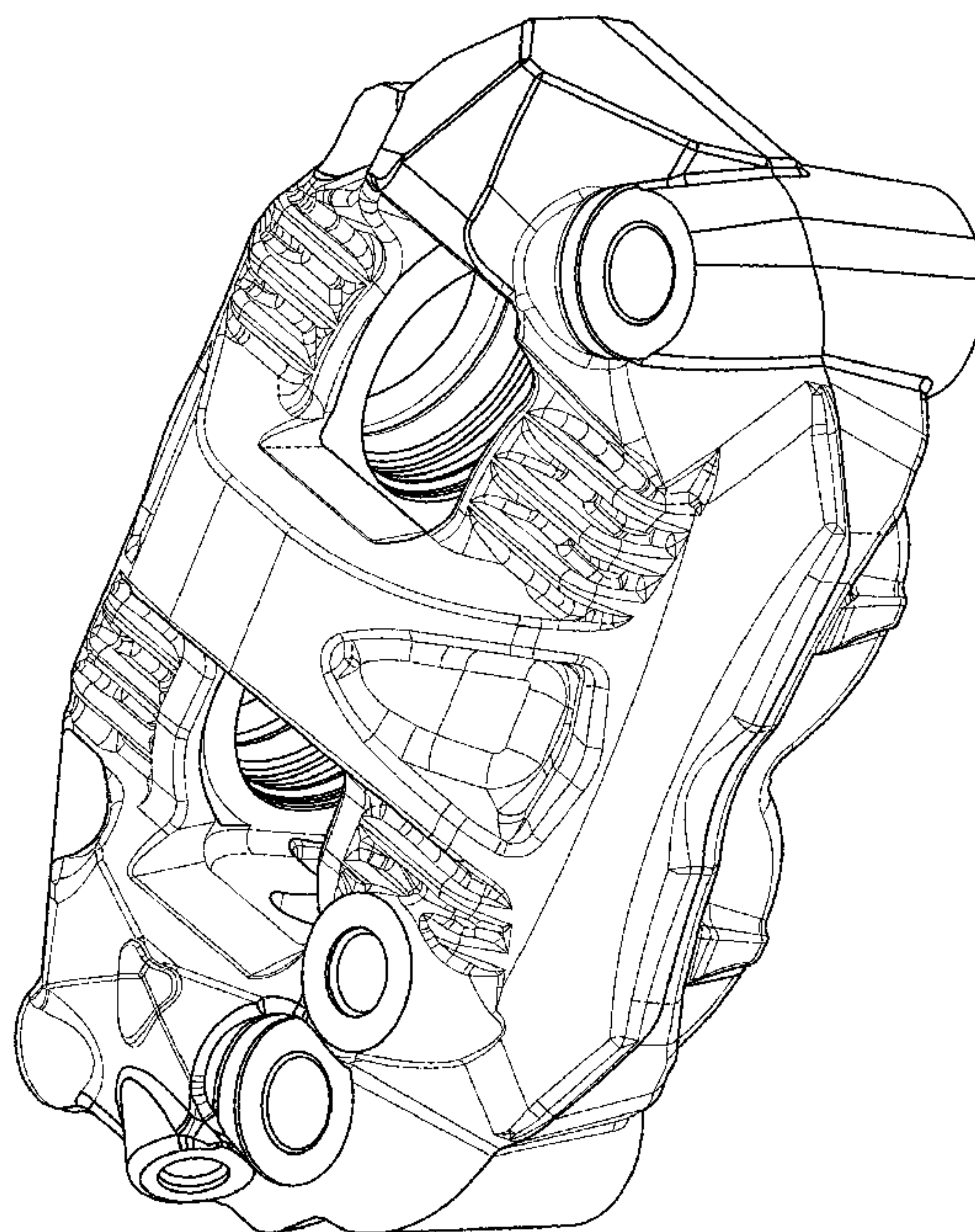
(57) **CLAIM**

The ornamental design for a disc brake caliper, as shown and described.

DESCRIPTION

FIG. 1 is a perspective view of a disc brake caliper showing our new design;
FIG. 2 is a perspective view thereof from the side opposite that of FIG. 1;
FIG. 3 is an end view thereof;
FIG. 4 is an end view thereof, from an end opposite that of FIG. 3;
FIG. 5 is a side view thereof;
FIG. 6 is a side view thereof, from a side opposite that of FIG. 5;
FIG. 7 is a top view thereof; and,
FIG. 8 is a bottom view thereof.

1 Claim, 8 Drawing Sheets



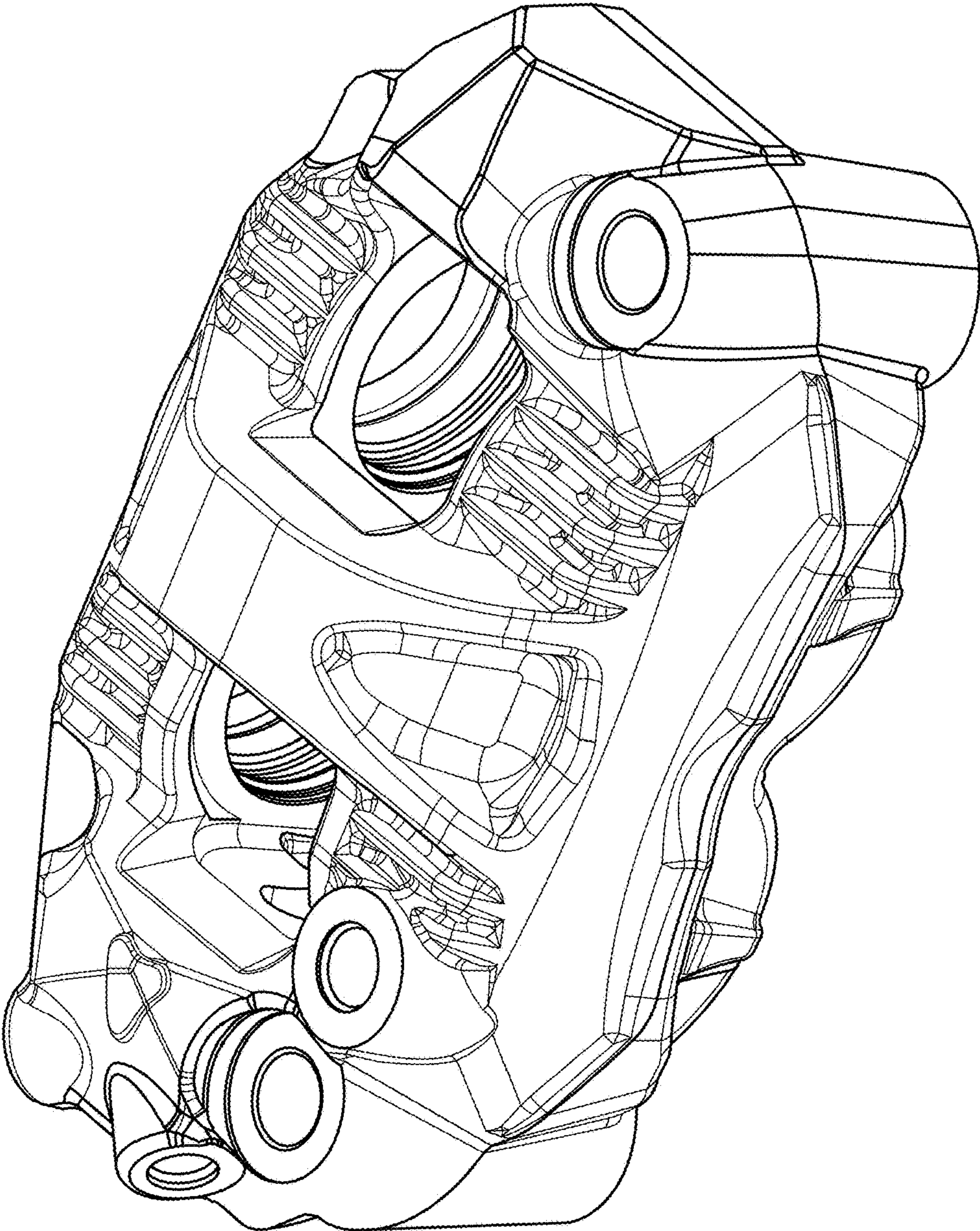


FIG. 1

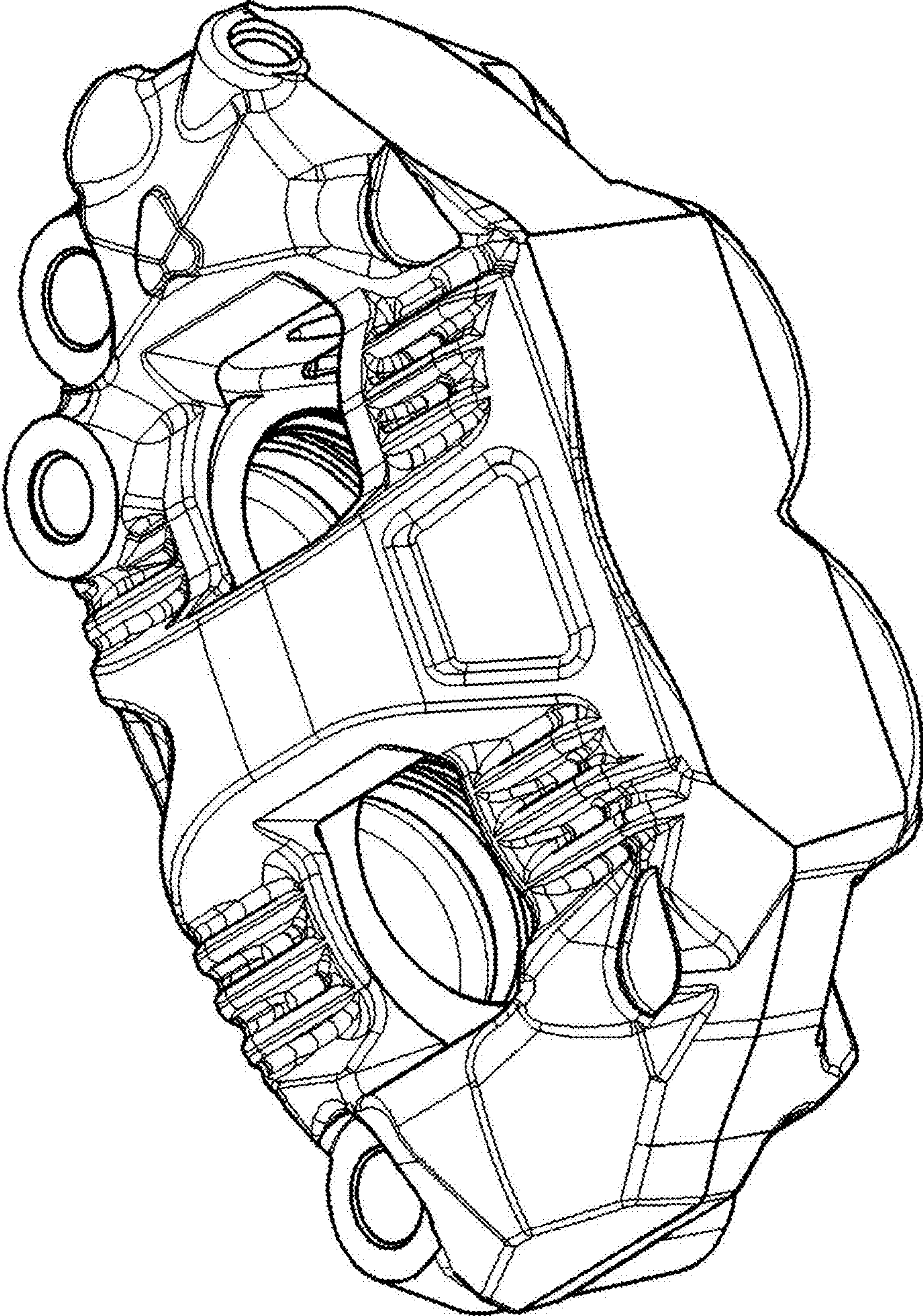


FIG. 2

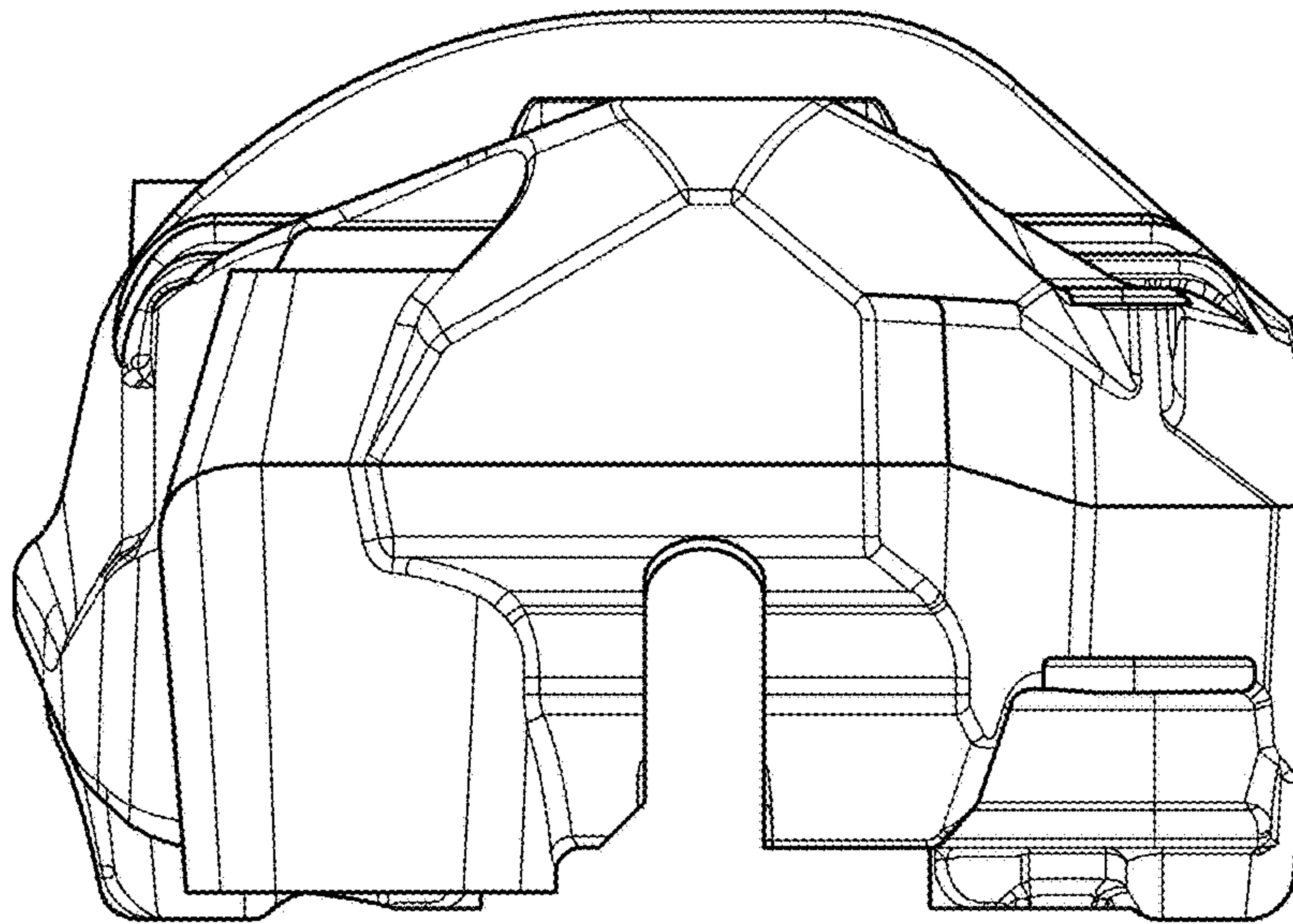


FIG. 3

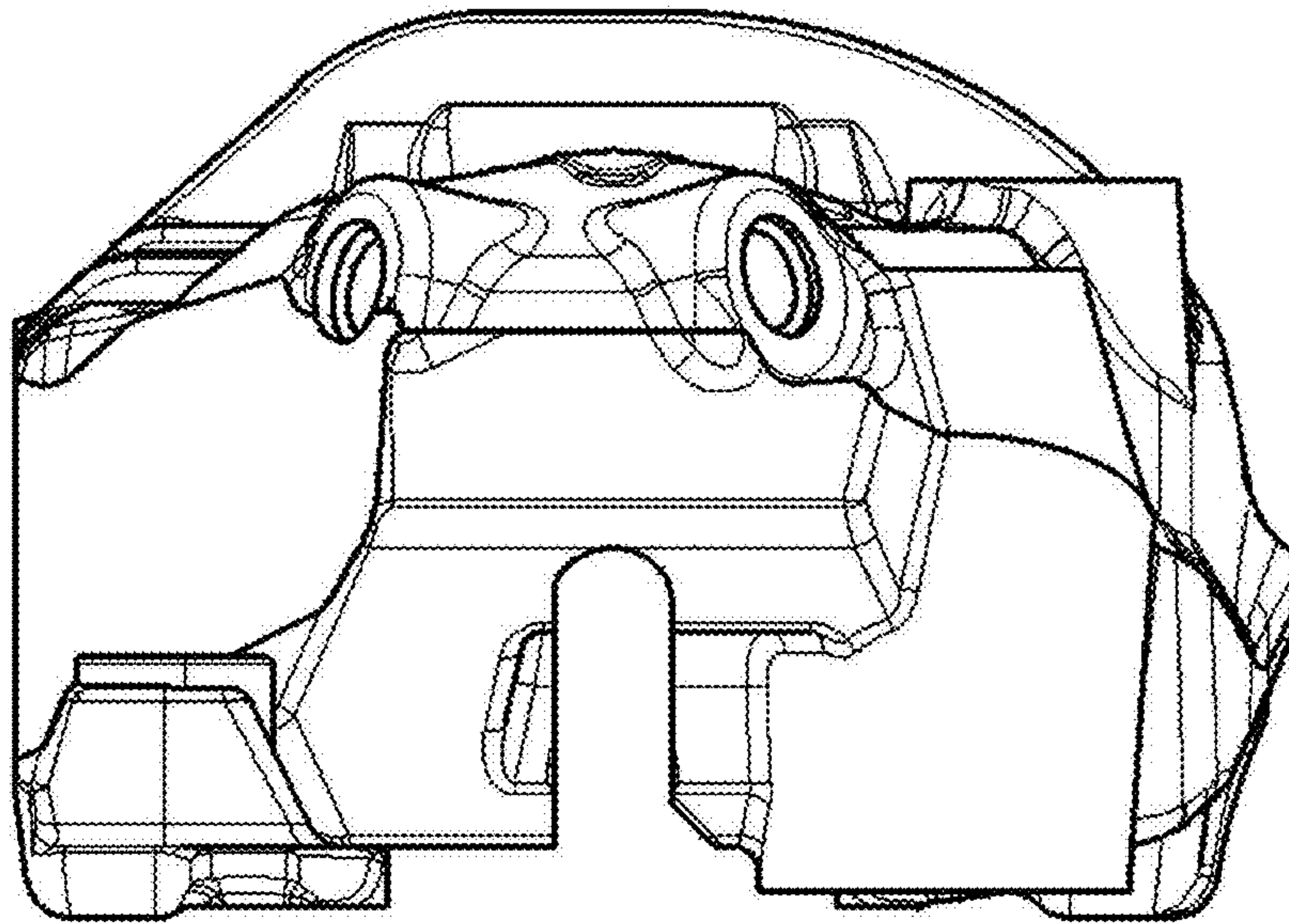


FIG. 4

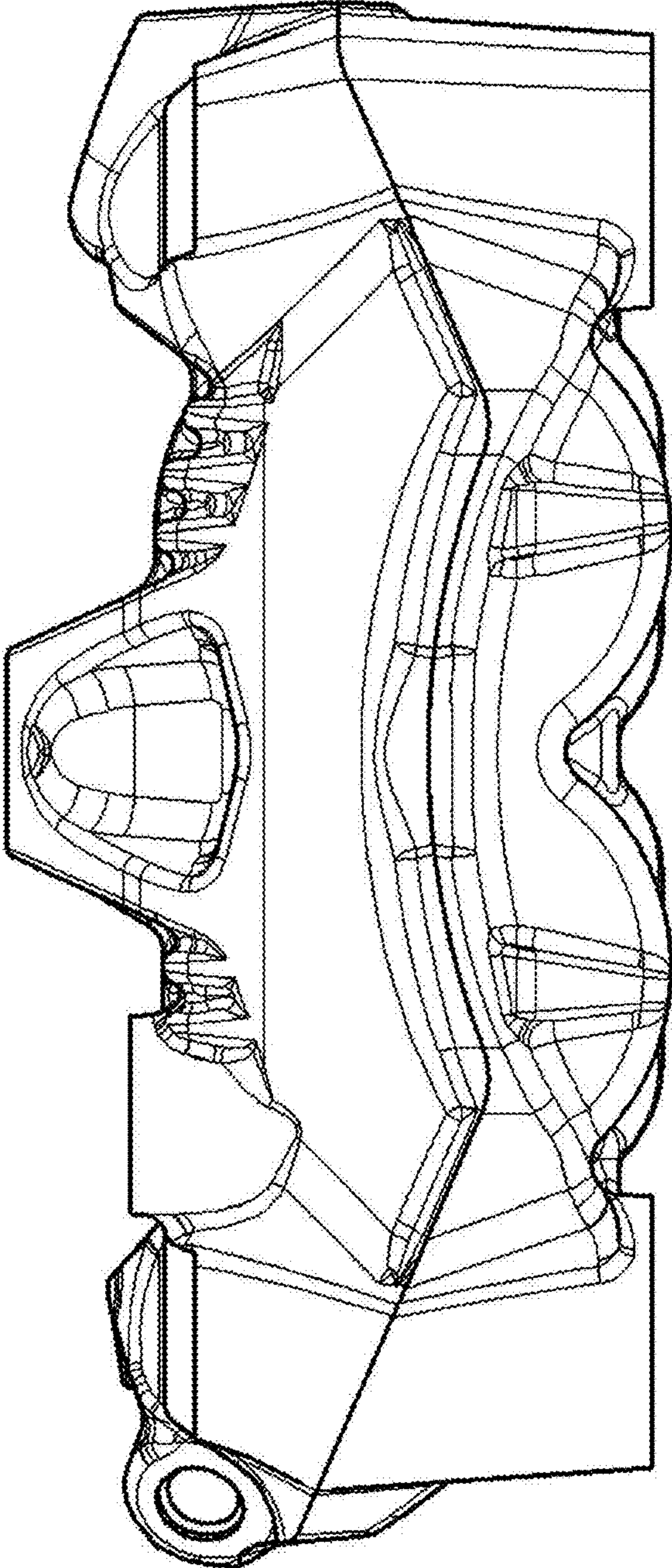


FIG. 5

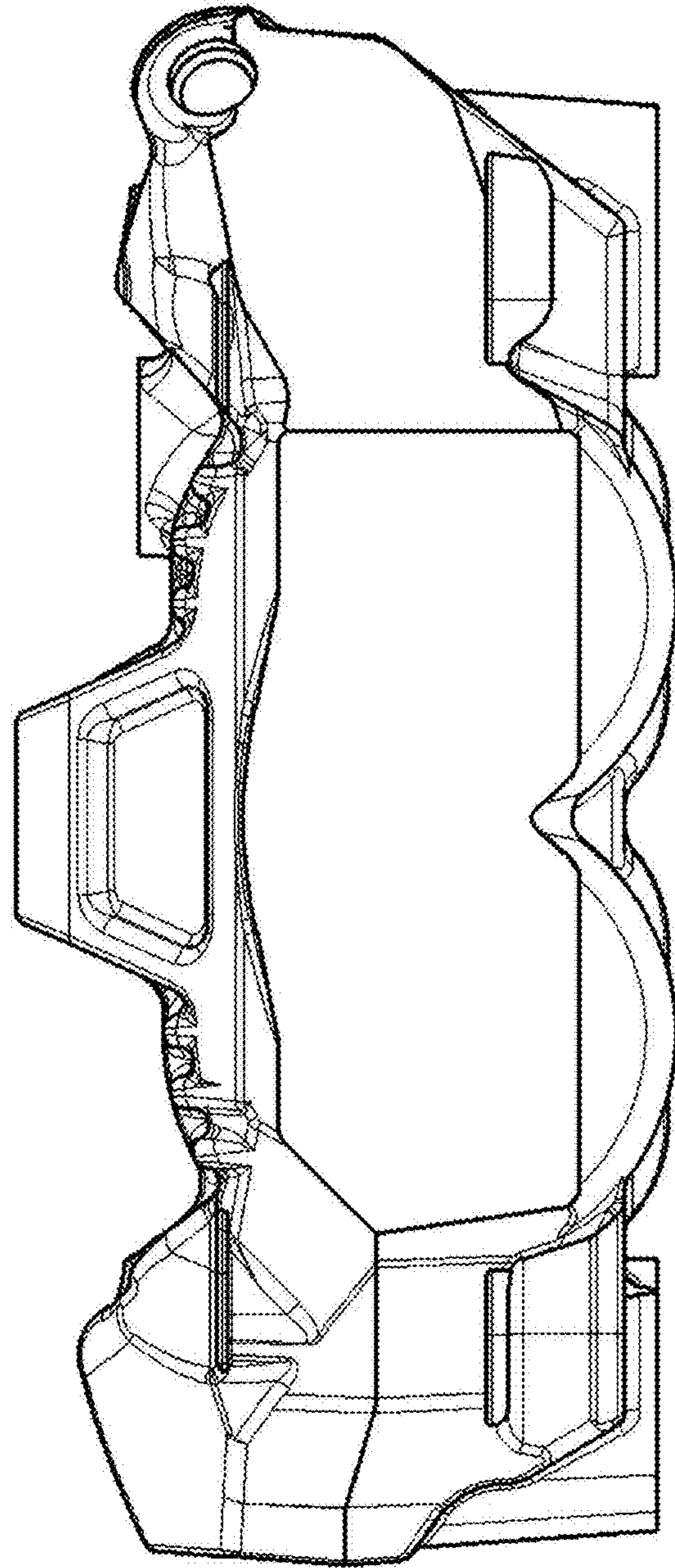


FIG. 6

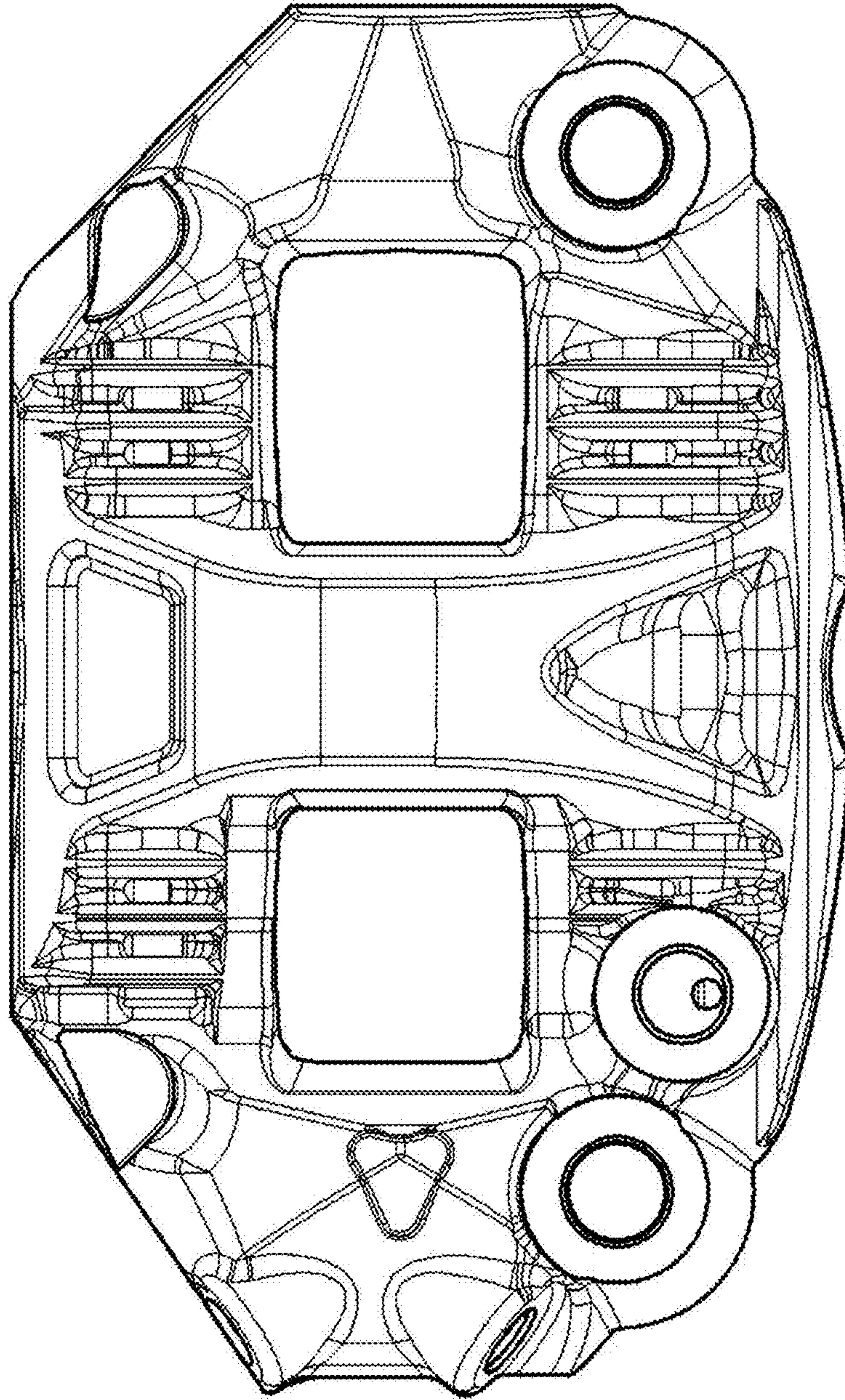


FIG. 7

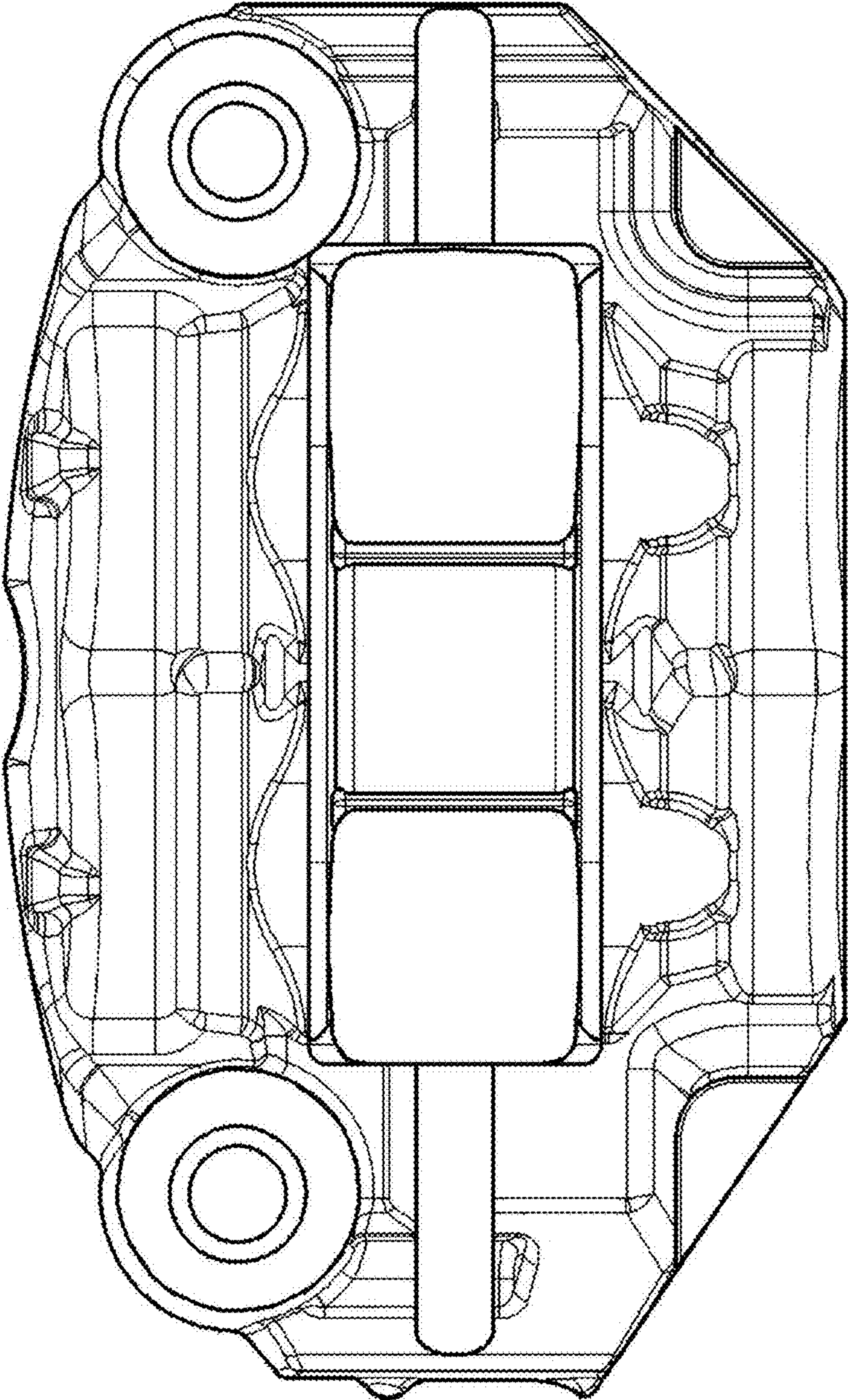


FIG. 8