



US00D842776S

(12) **United States Design Patent** (10) **Patent No.:** **US D842,776 S**
Basmanov et al. (45) **Date of Patent:** **** Mar. 12, 2019**

(54) **REAR BUMPER FOR AUTOMOBILE**

(71) Applicant: **Nissan Motor Co., Ltd.**, Yokohama, Kanagawa (JP)

(72) Inventors: **Andrey Basmanov**, Boulogne-Billancourt (FR); **Junichi Nishikubo**, Kanagawa (JP)

(73) Assignee: **Nissan Motor Co., Ltd.**, Yokohama (JP)

(**) Term: **15 Years**

(21) Appl. No.: **29/639,170**

(22) Filed: **Mar. 5, 2018**

(30) **Foreign Application Priority Data**

Sep. 6, 2017 (JP) 2017-019341

(51) **LOC (11) Cl.** **12-16**

(52) **U.S. Cl.**
USPC **D12/169**

(58) **Field of Classification Search**
USPC D12/169, 102, 113, 115, 117, 120;
296/180.1, 180.2
CPC B60R 19/02; B60R 19/04; B62D 25/08
See application file for complete search history.

(56) **References Cited**

U.S. PATENT DOCUMENTS

D692,808 S * 11/2013 Morioka D12/169
D773,351 S * 12/2016 Munakata D12/169
D773,352 S * 12/2016 Munakata D12/169
D773,353 S * 12/2016 Munakata D12/169

D773,354 S * 12/2016 Liu D12/169
D779,395 S * 2/2017 Hone D12/169
D789,259 S * 6/2017 Seo D12/169
D805,449 S * 12/2017 Chung D12/169
D807,799 S * 1/2018 Kimura D12/169
D819,518 S * 6/2018 Minanniyanna D12/169
D823,742 S * 7/2018 Simm D12/169
D823,743 S * 7/2018 Al Attar D12/169
D823,744 S * 7/2018 Al Attar D12/169
D824,300 S * 7/2018 Badstuebner D12/169
D825,409 S * 8/2018 Kayakabe D12/169
D825,415 S * 8/2018 De Bono D12/169

* cited by examiner

Primary Examiner — Melody N Brown

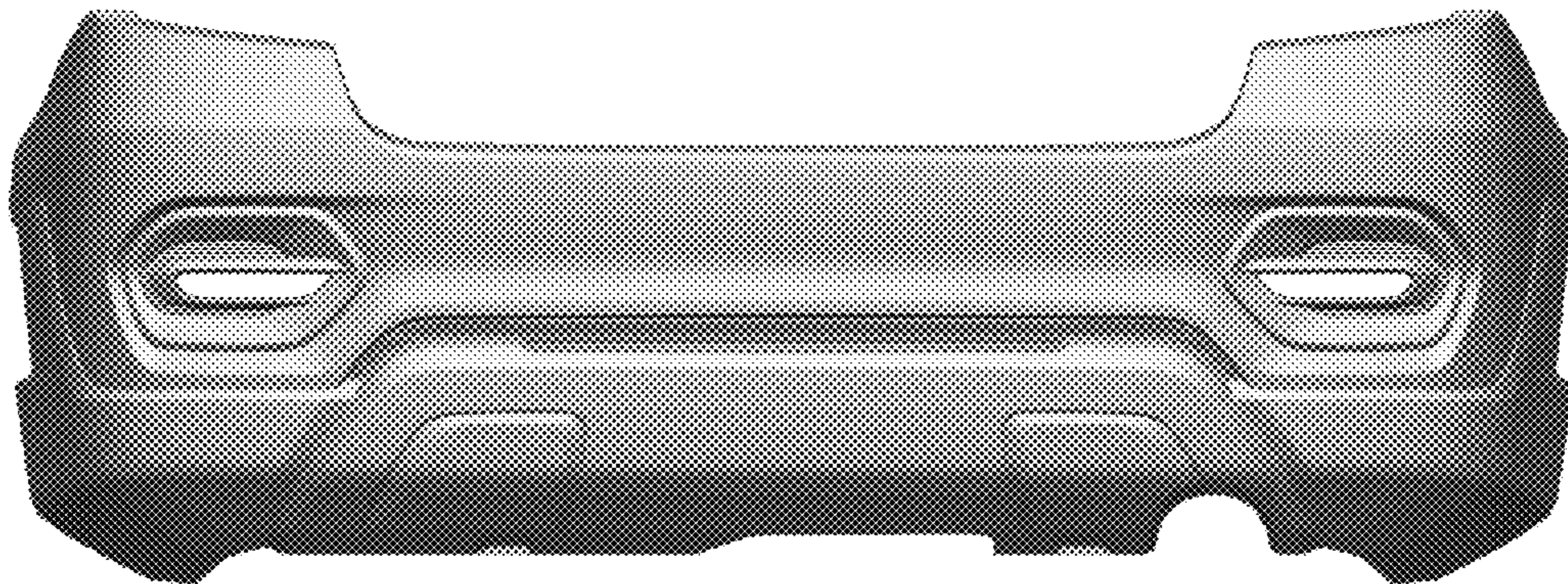
(57) **CLAIM**

The ornamental design for a rear bumper for an automobile, as shown and described.

DESCRIPTION

FIG. 1 is a front elevational view of a rear bumper for an automobile in accordance with our new design;
FIG. 2 is a top plan view thereof;
FIG. 3 is a bottom plan view thereof;
FIG. 4 is a left side elevational view thereof;
FIG. 5 is a right side elevational view thereof;
FIG. 6 is a bottom, front and left side perspective view thereof; and,
FIG. 7 is a top, front and right side perspective view thereof.
The rear view of the rear bumper forms no part of the claimed design. The inside surfaces of the rear bumper, shown in broken lines in FIGS. 2, 3 and 7, form no part of the claimed design since the inside surfaces are hidden when the rear bumper is mounted to the automobile.

1 Claim, 7 Drawing Sheets



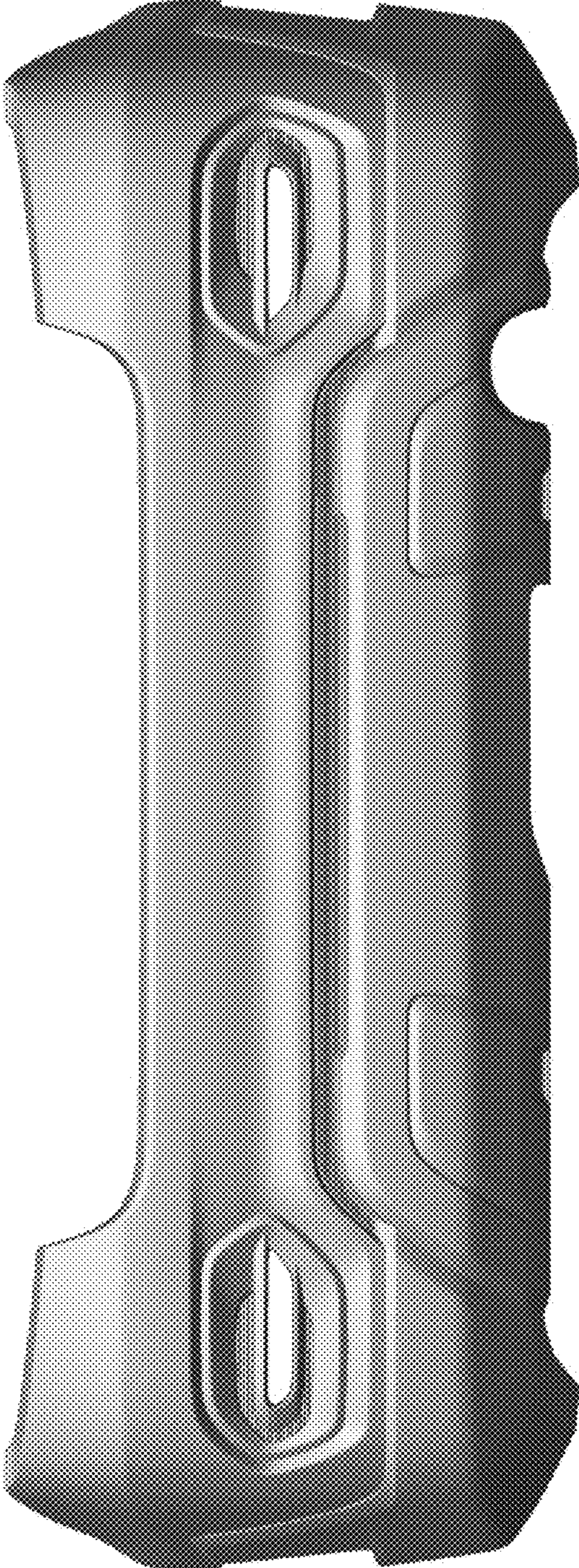


FIG. 1

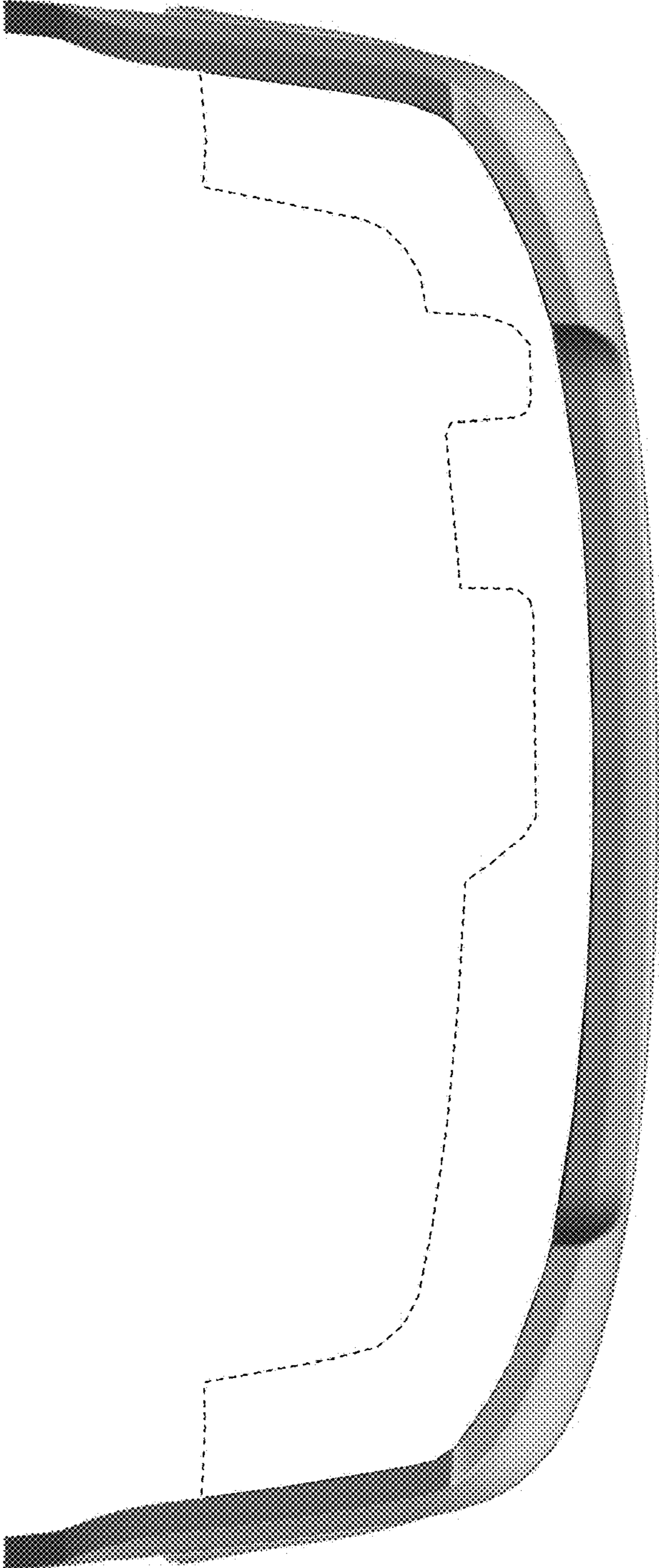


FIG. 2

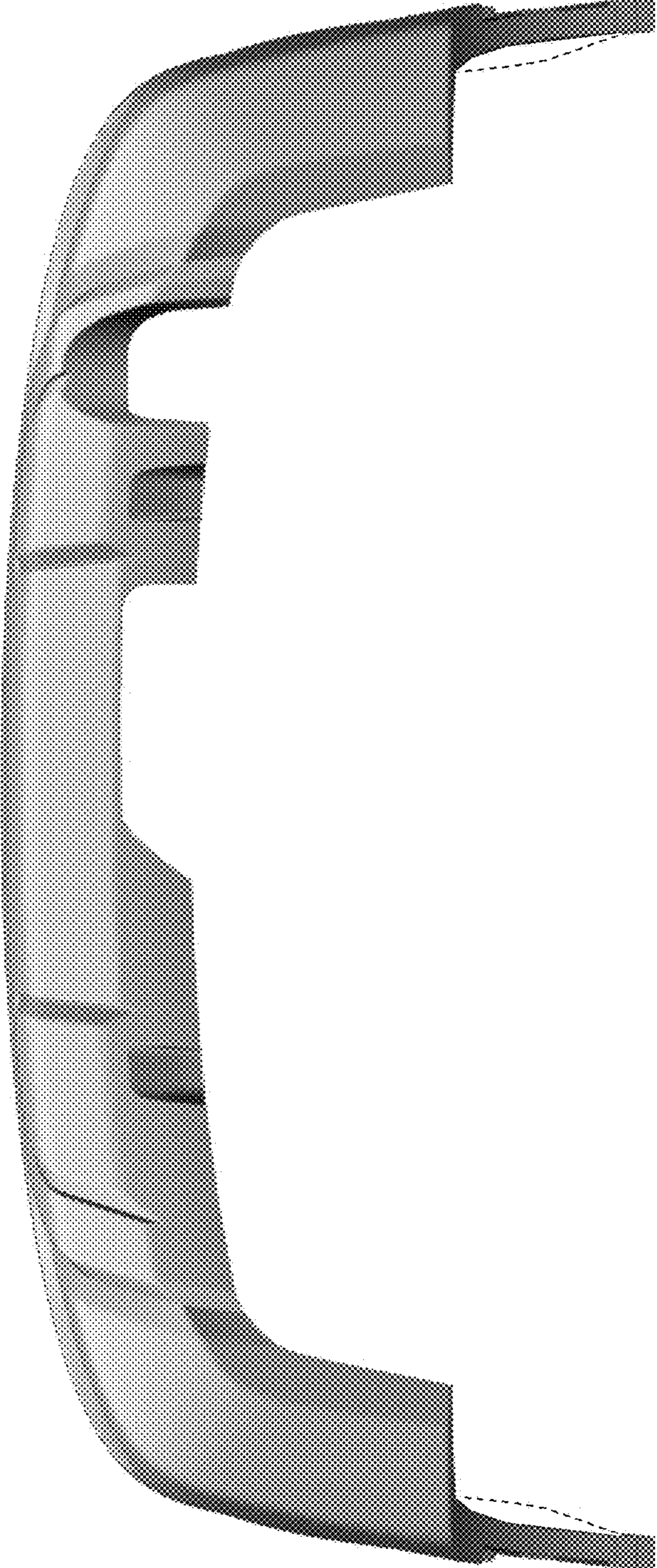


FIG. 3

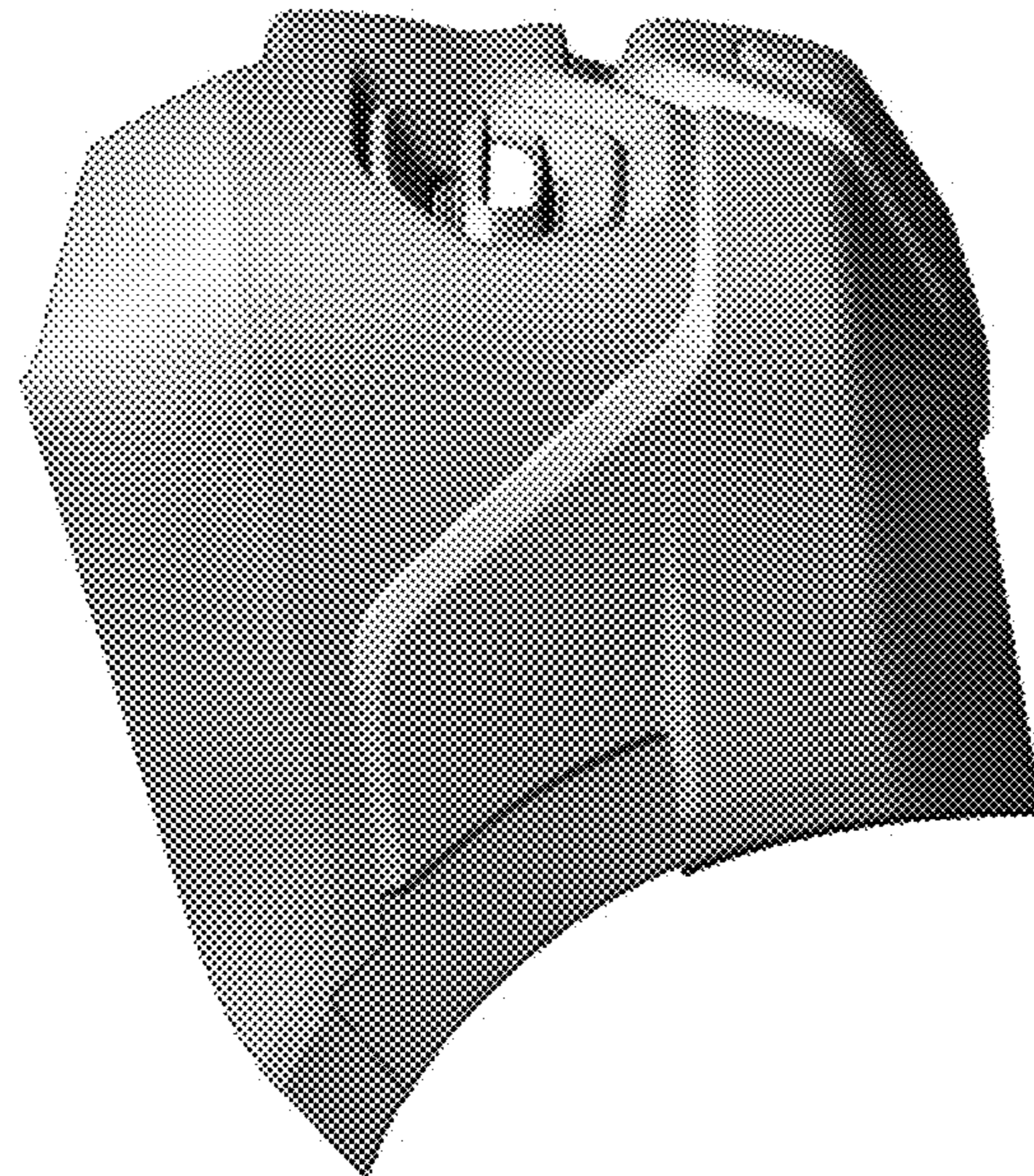


FIG. 4

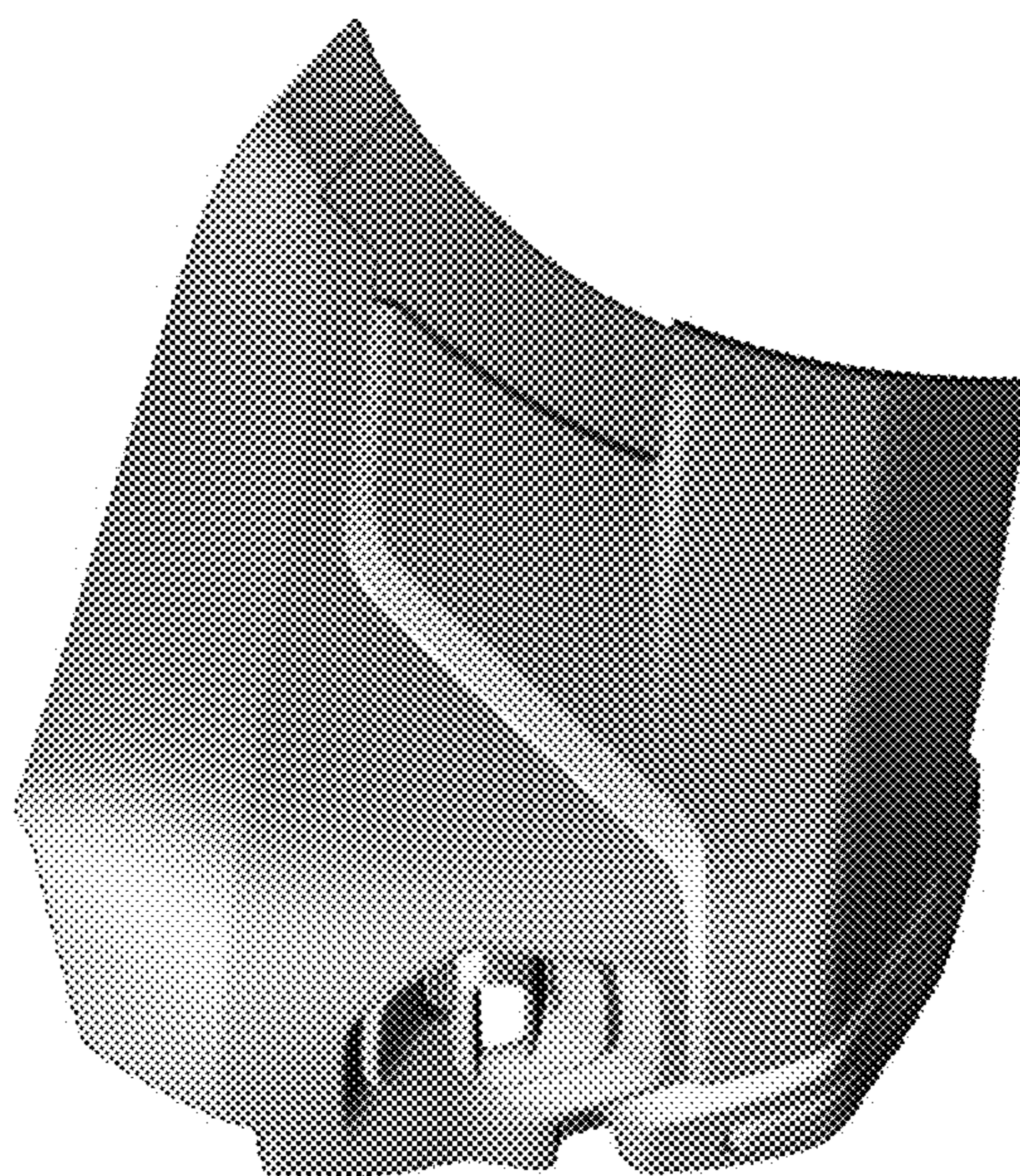


FIG. 5

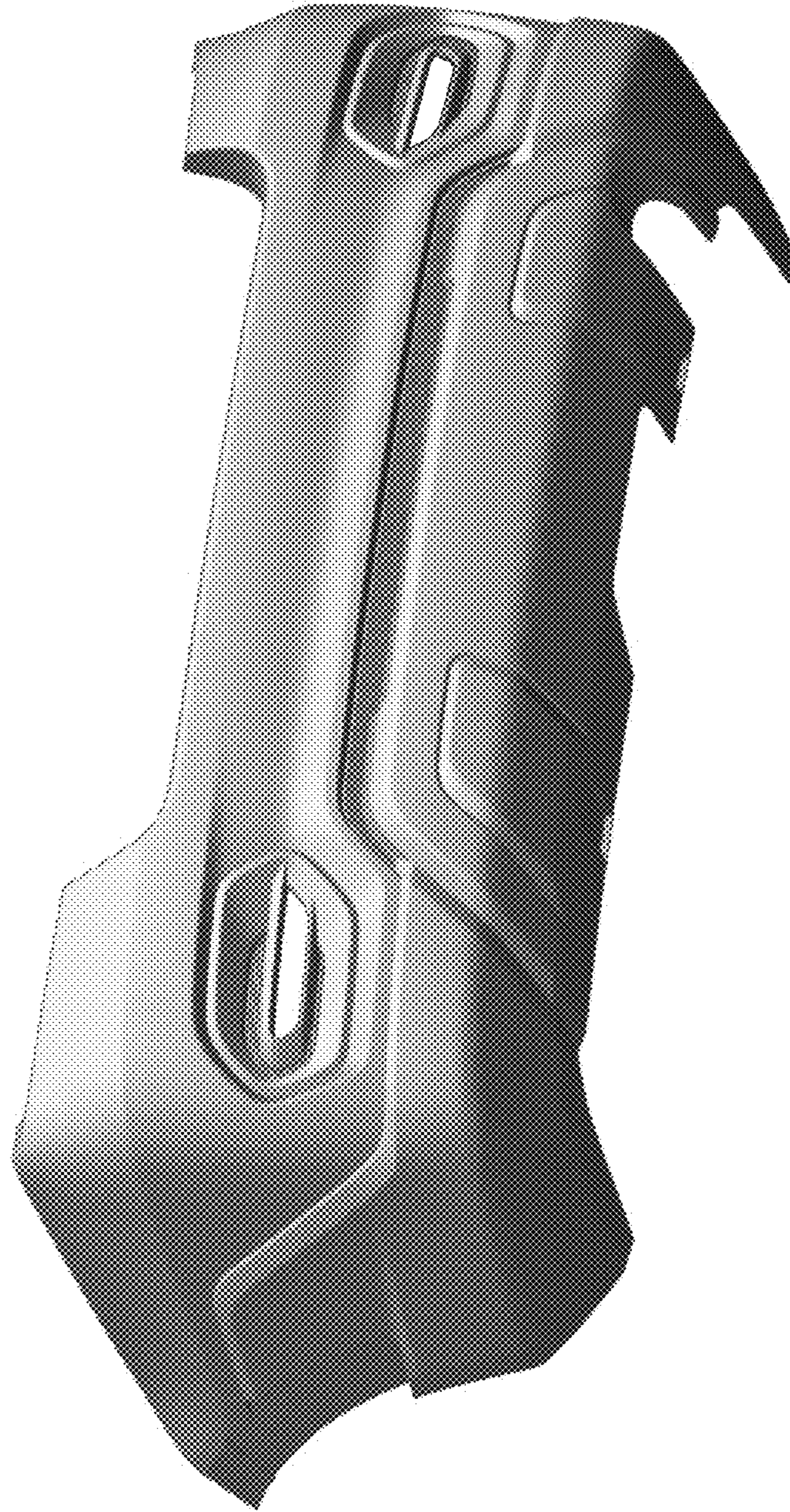


FIG. 6

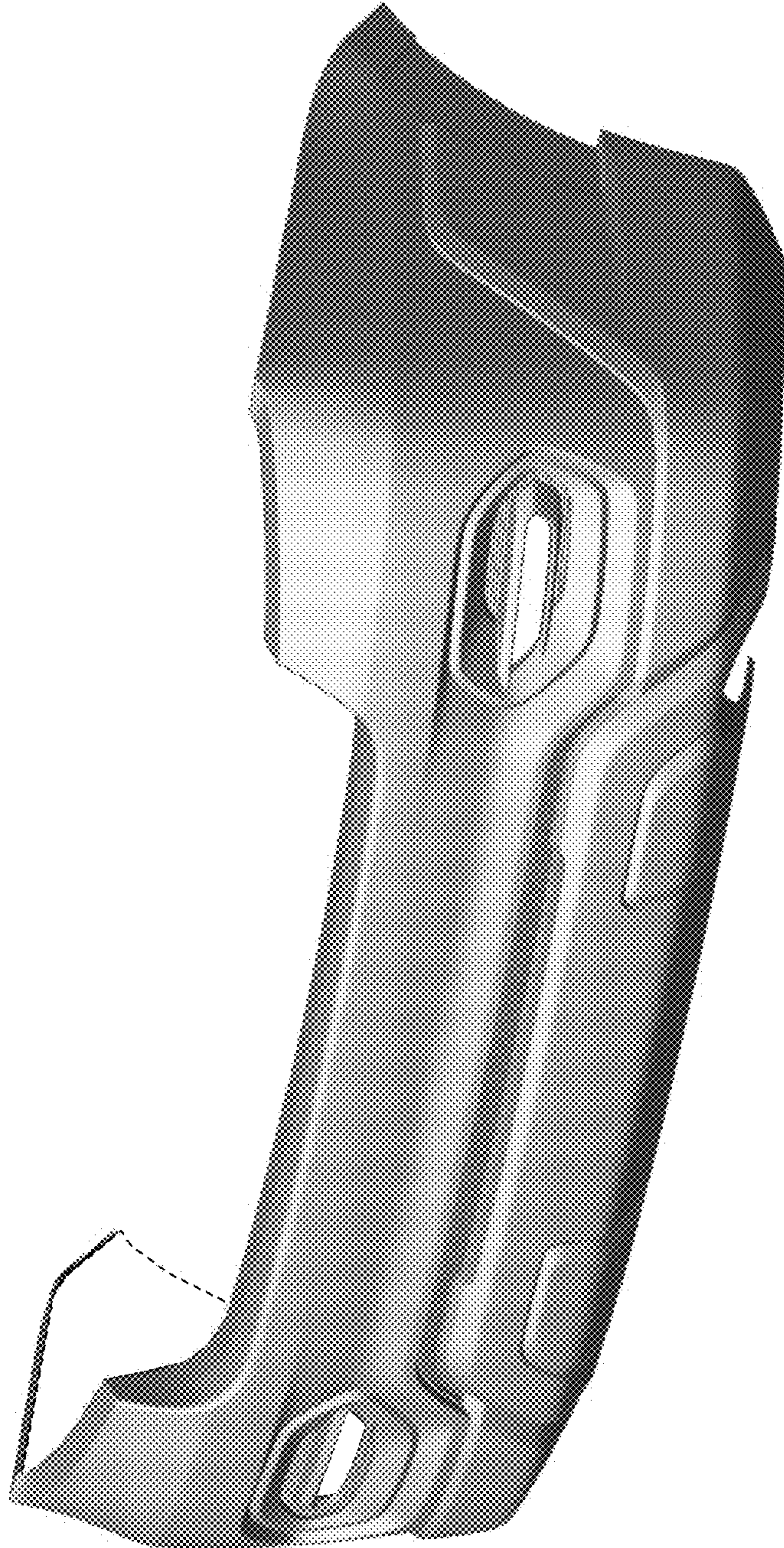


FIG. 7