



US00D842772S

(12) **United States Design Patent**
Battams

(10) **Patent No.:** **US D842,772 S**

(45) **Date of Patent:** **** Mar. 12, 2019**

(54) **REAR BUMPER**

(71) Applicant: **Jaguar Land Rover Limited**, Whitley,
Coventry (GB)

(72) Inventor: **Robert Battams**, Coventry (GB)

(73) Assignee: **Jaguar Land Rover Limited**, Whitley,
Coventry (GB)

(**) Term: **15 Years**

(21) Appl. No.: **29/622,279**

(22) Filed: **Oct. 16, 2017**

(30) **Foreign Application Priority Data**

Apr. 21, 2017 (EM) 003866912

(51) **LOC (11) Cl.** **12-16**

(52) **U.S. Cl.**
USPC **D12/169**

(58) **Field of Classification Search**
USPC D12/169; 293/102, 113, 115, 117, 120;
296/180.1, 180.2
CPC B60R 19/02; B60R 19/04; B62D 25/08
See application file for complete search history.

(56) **References Cited**

U.S. PATENT DOCUMENTS

D695,162 S	*	12/2013	Scheinutte	D12/169
D713,766 S	*	9/2014	Katou	D12/169
D743,851 S	*	11/2015	Frascella	D12/164
D748,544 S	*	2/2016	Nissl	D12/169
D773,351 S	*	12/2016	Munakata	D12/169
D773,352 S	*	12/2016	Munakata	D12/169
D773,353 S	*	12/2016	Munakata	D12/169
D779,394 S	*	2/2017	Suga	D12/164
D782,373 S	*	3/2017	Curic	D12/169

D784,865 S	*	4/2017	Peat	D12/169
D805,959 S	*	12/2017	Wheel	D12/91
D807,228 S	*	1/2018	Woolley	D12/91
D808,871 S	*	1/2018	Peat	D12/169
D817,817 S	*	5/2018	Frascella	D12/91
D818,399 S	*	5/2018	Frascella	D12/91

* cited by examiner

Primary Examiner — Melody N Brown

(74) *Attorney, Agent, or Firm* — Wood Herron & Evans
LLP

(57) **CLAIM**

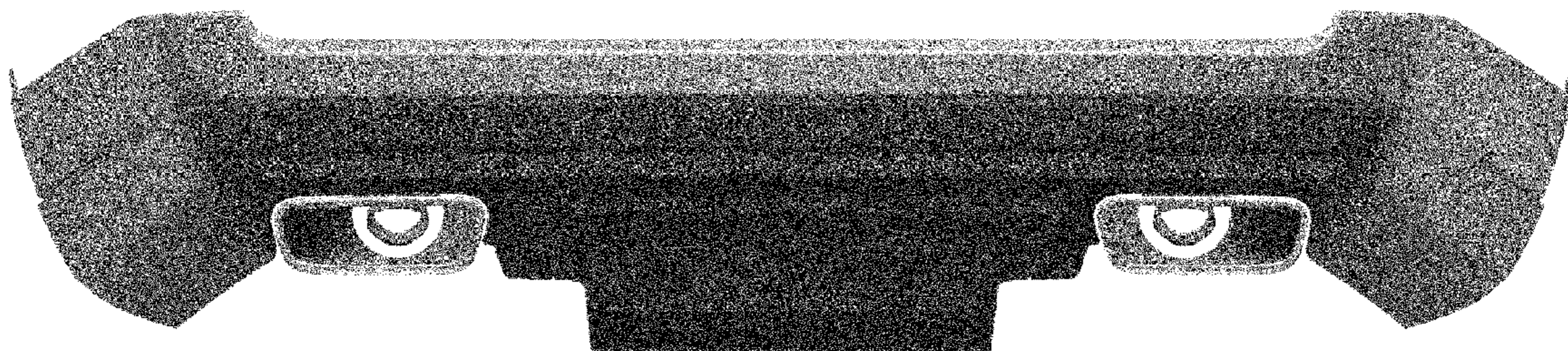
The ornamental design for a rear bumper, as shown and described.

DESCRIPTION

FIG. 1 is a right, front perspective view of a rear bumper showing my new design;
FIG. 2 is a left, front perspective view thereof;
FIG. 3 is a left, rear perspective view thereof;
FIG. 4 is a right, rear perspective view thereof;
FIG. 5 is a front elevational view thereof;
FIG. 6 is a rear elevational view thereof;
FIG. 7 is a left side elevational view thereof;
FIG. 8 is a right side elevational view thereof;
FIG. 9 is a top plan view thereof;
FIG. 10 is a bottom plan view thereof; and,
FIG. 11 is another right front perspective view thereof shown on a vehicle.

The portions of the vehicle shown in the FIG. 11 drawing view in a de-emphasized and half-tone form outside the broken lines and the broken lines representing the boundary and configuration of what is claimed as the design are all for environmental and illustrative purposes only and form no part of the claimed design.

1 Claim, 11 Drawing Sheets



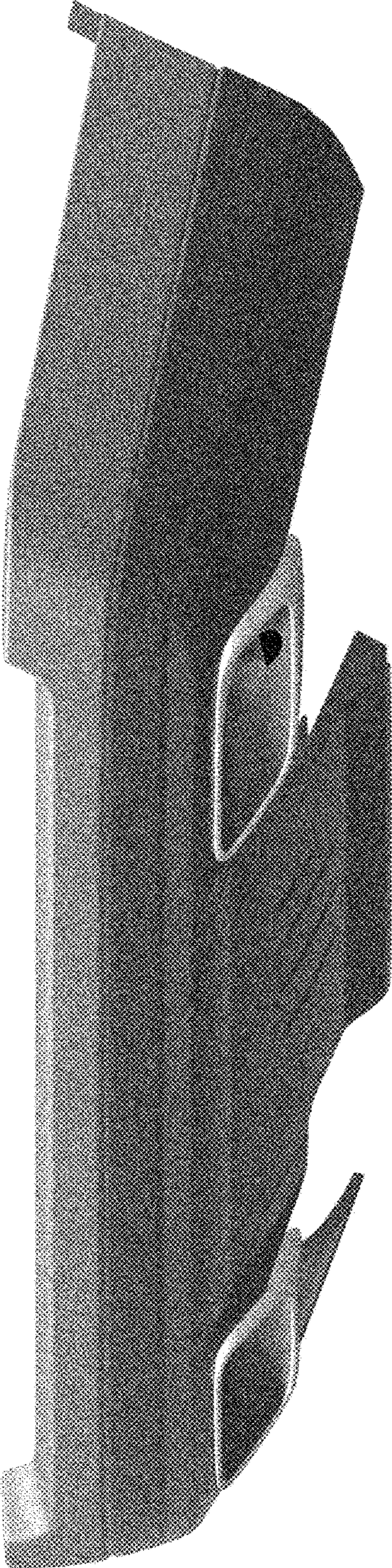


FIG. 1

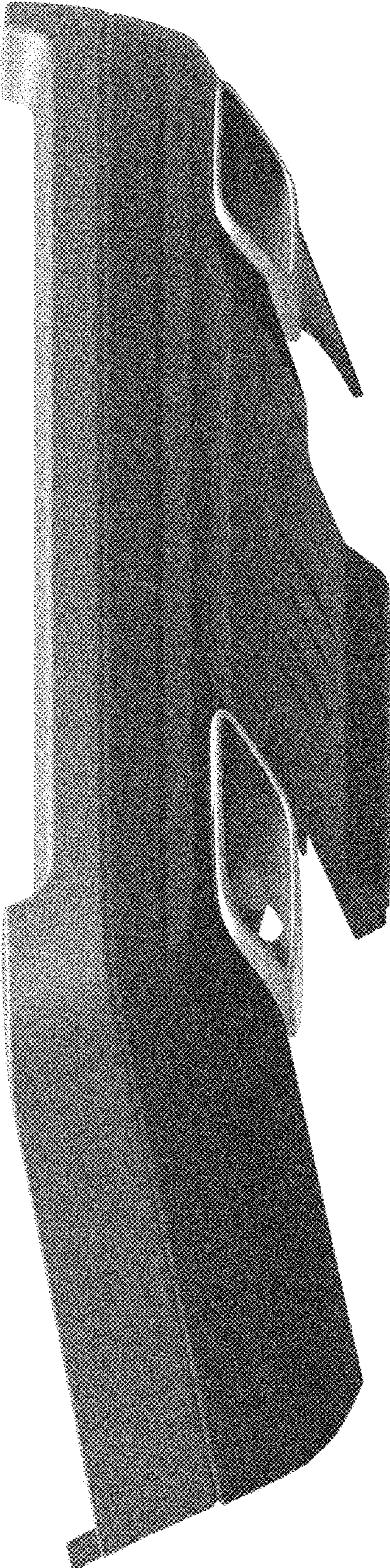


FIG. 2

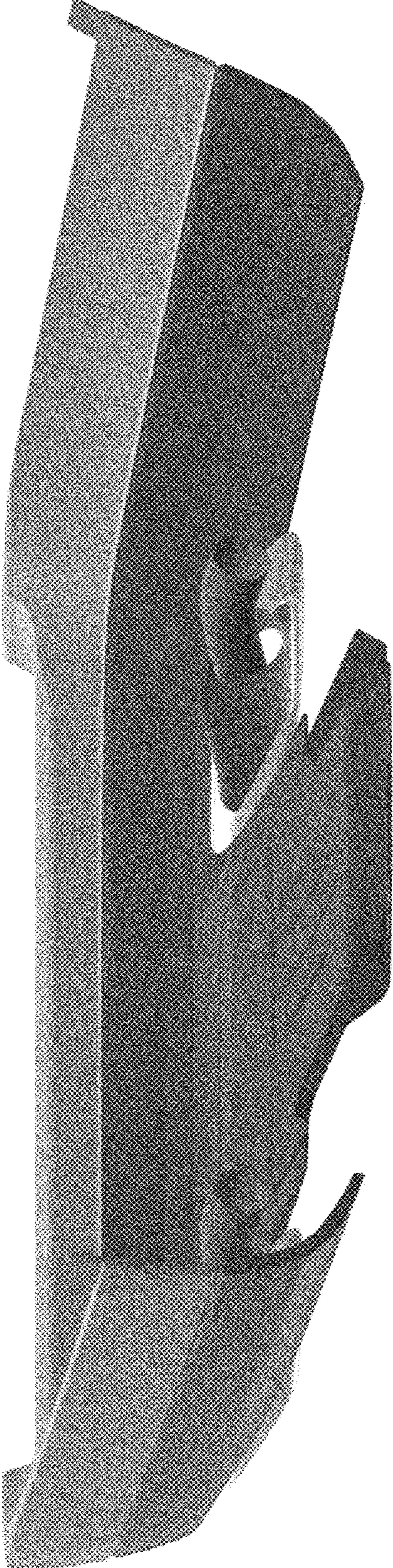


FIG. 3



FIG. 4

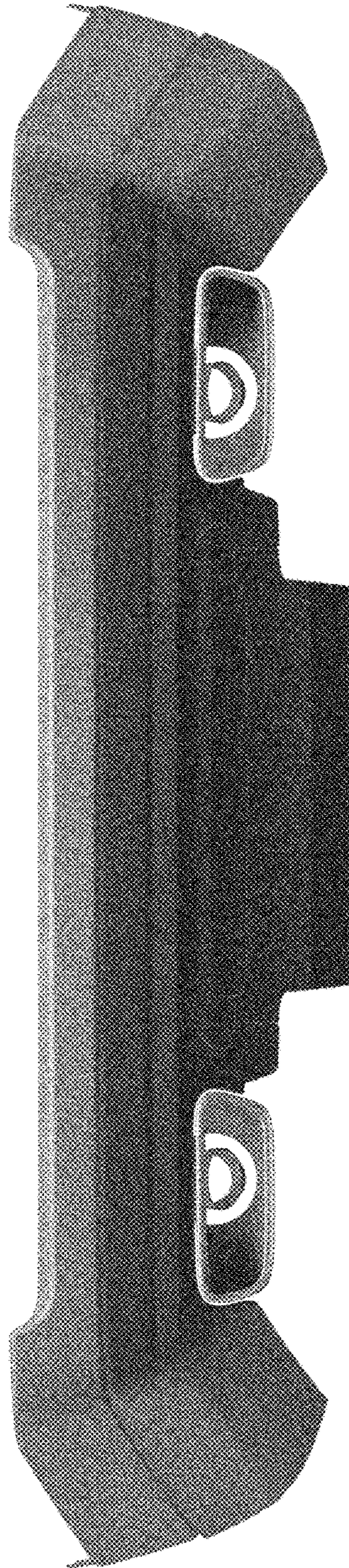


FIG. 5

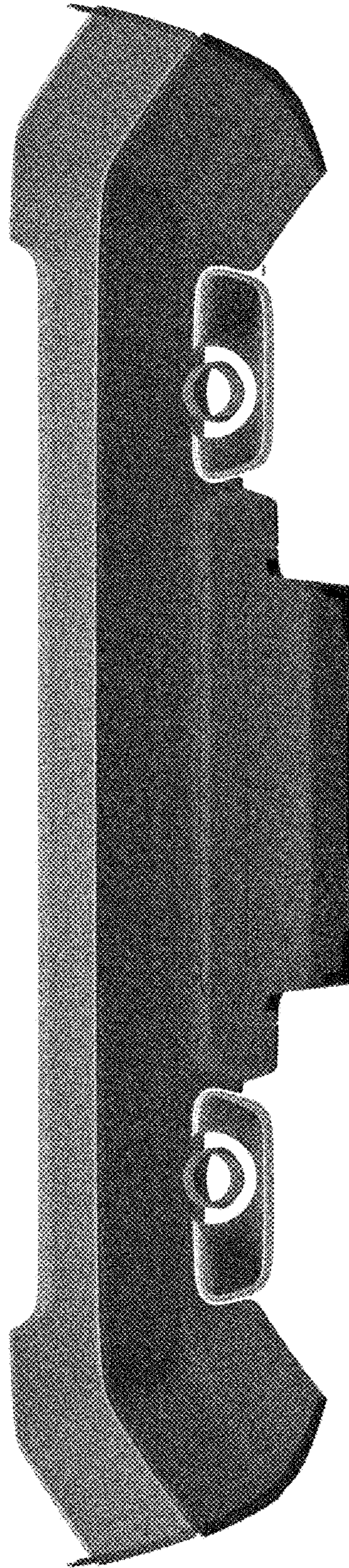


FIG. 6

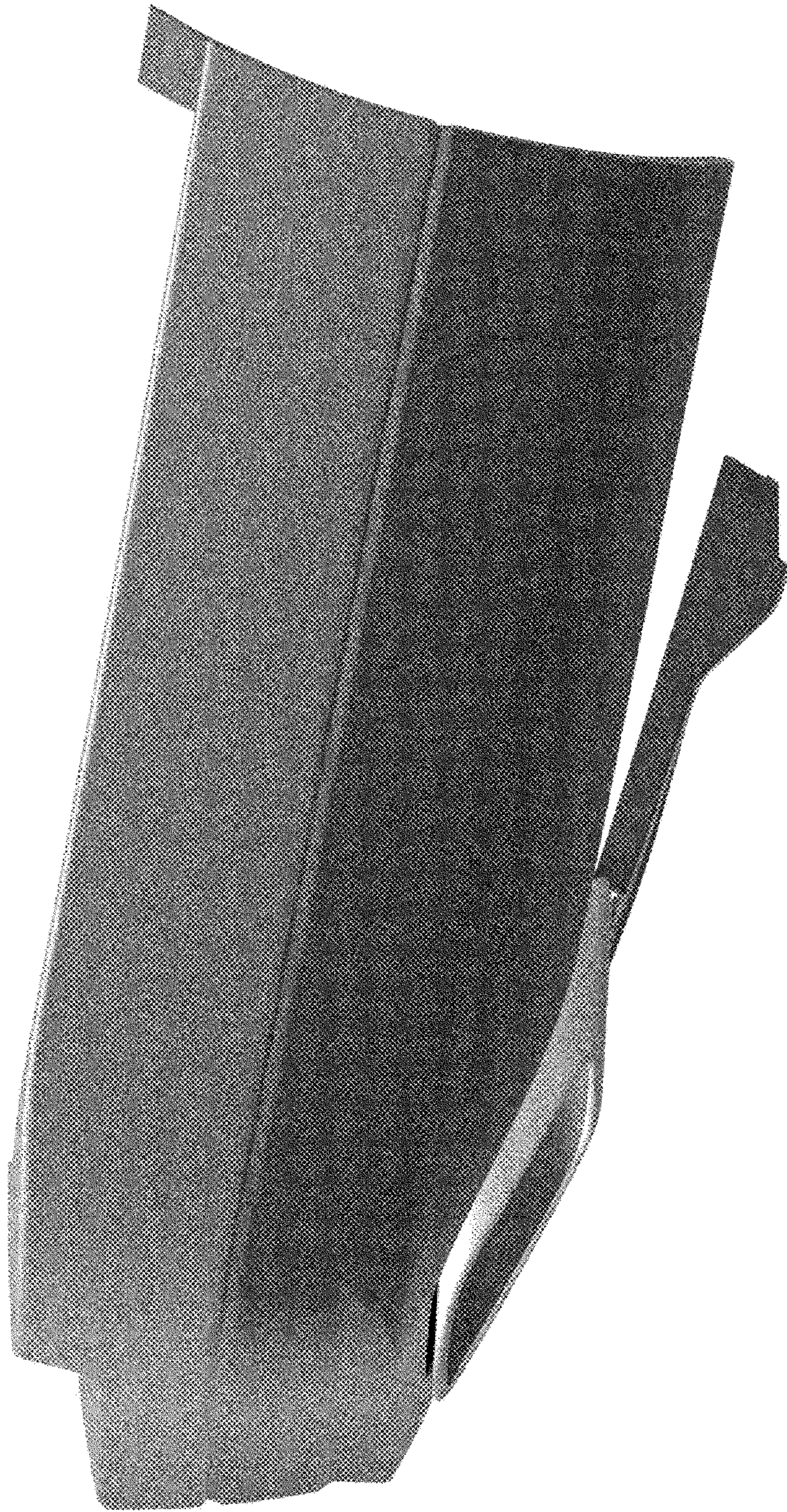


FIG. 7

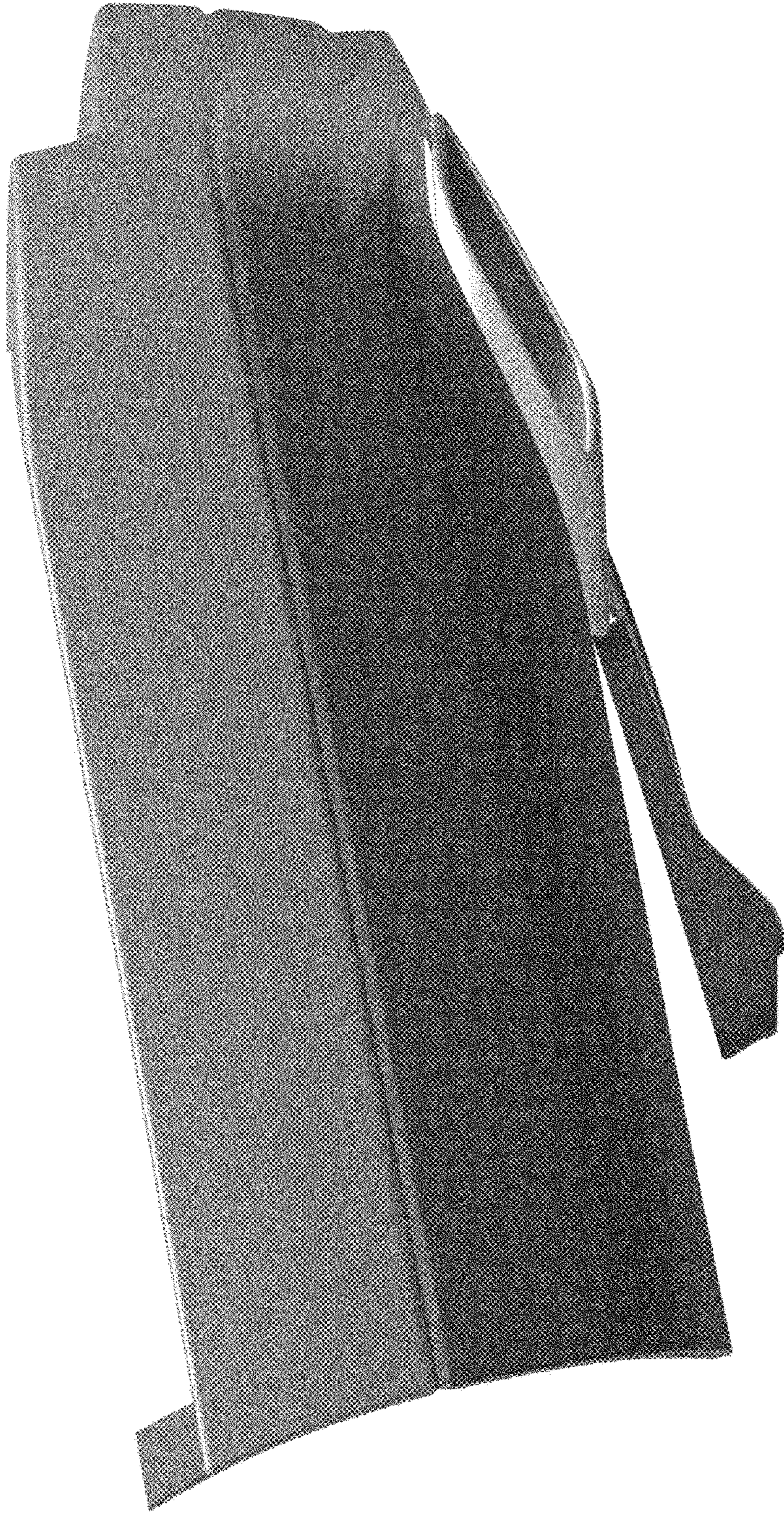


FIG. 8

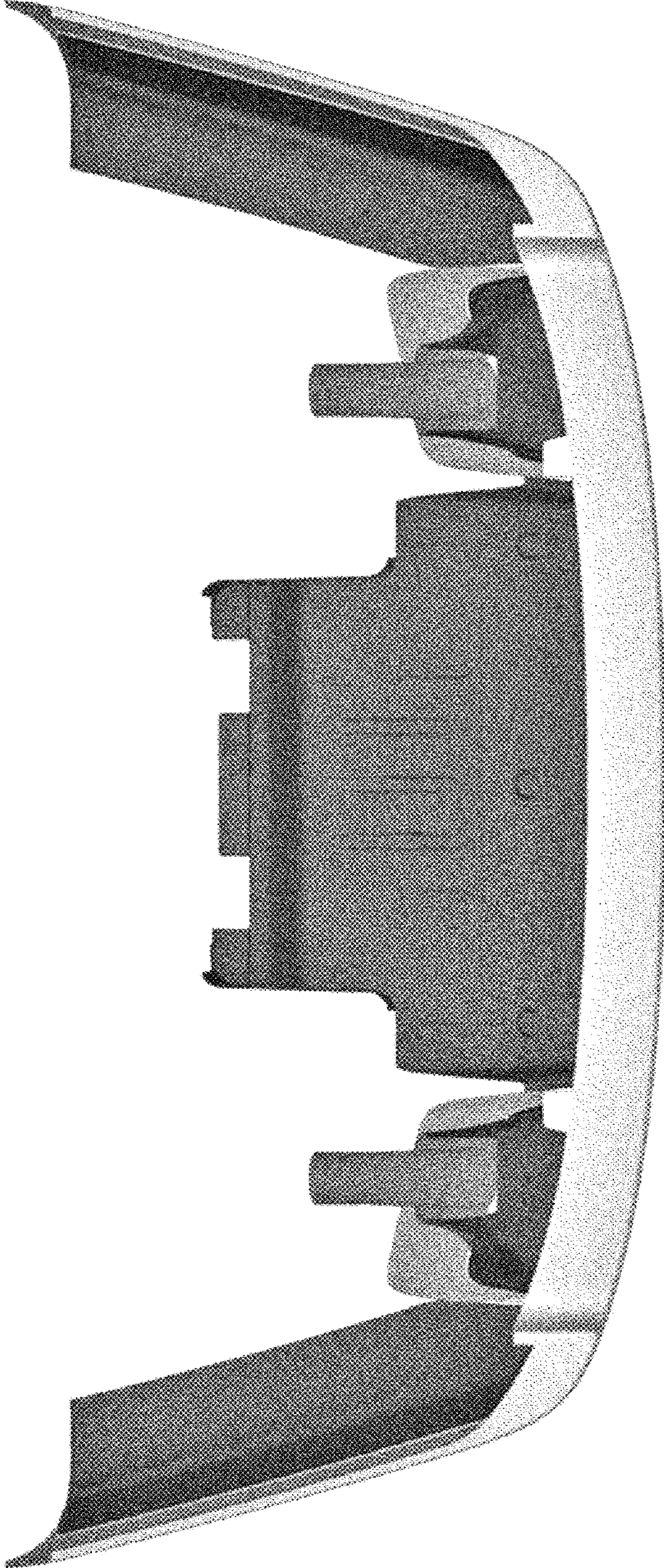


FIG. 9

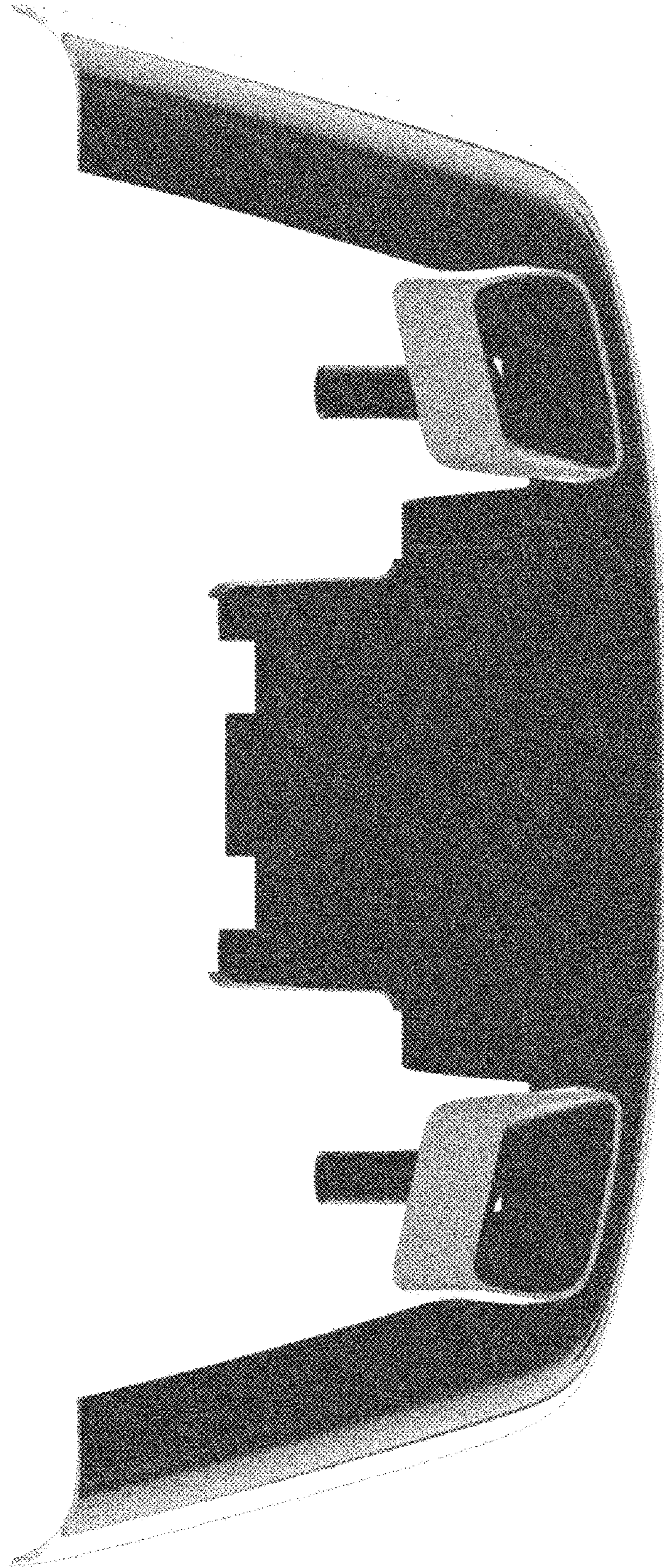


FIG. 10

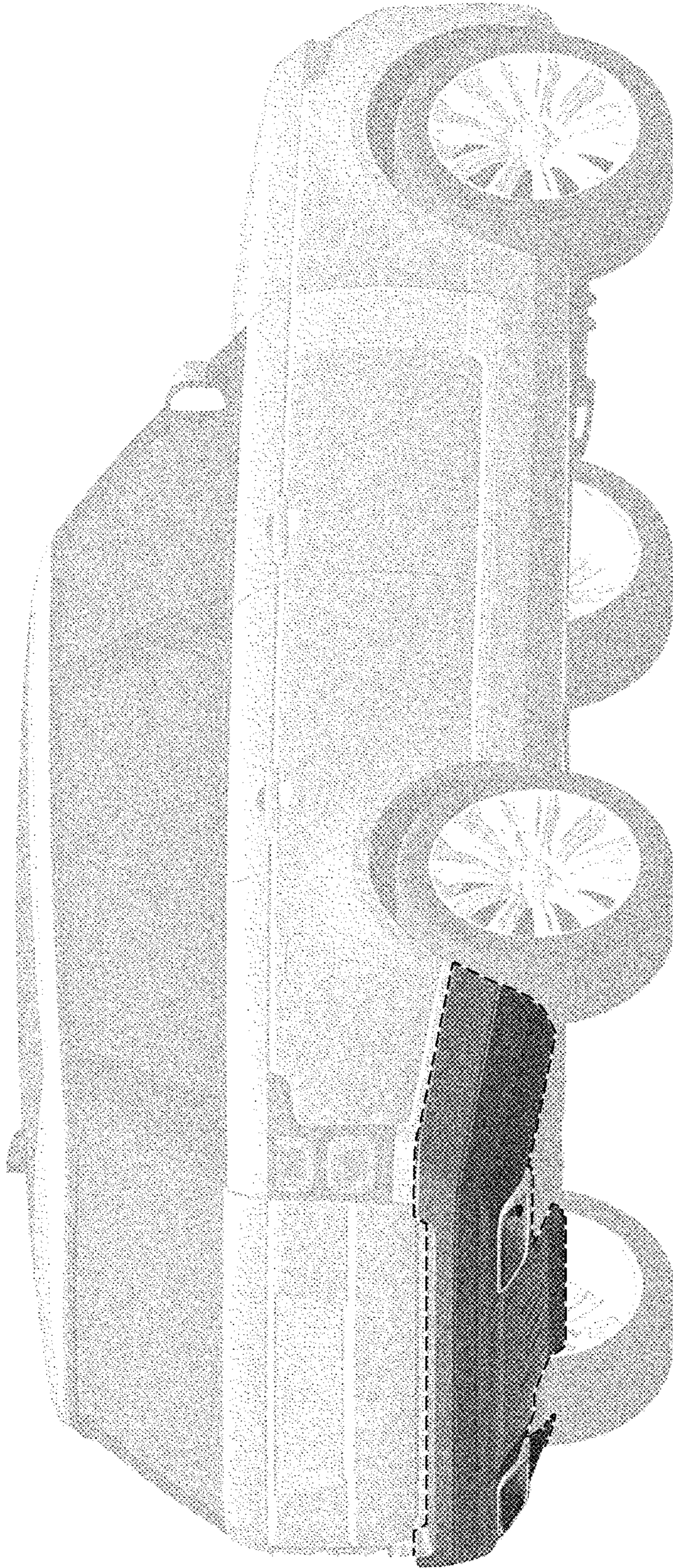


FIG. 11

UNITED STATES PATENT AND TRADEMARK OFFICE
CERTIFICATE OF CORRECTION

PATENT NO. : D842,772 S
APPLICATION NO. : 29/622279
DATED : March 12, 2019
INVENTOR(S) : Robert Battams

Page 1 of 1

It is certified that error appears in the above-identified patent and that said Letters Patent is hereby corrected as shown below:

On the Title Page

Column 2, Under "Description":

Line 4, "left" should be ---right---

Line 5, "right" should be ---left---

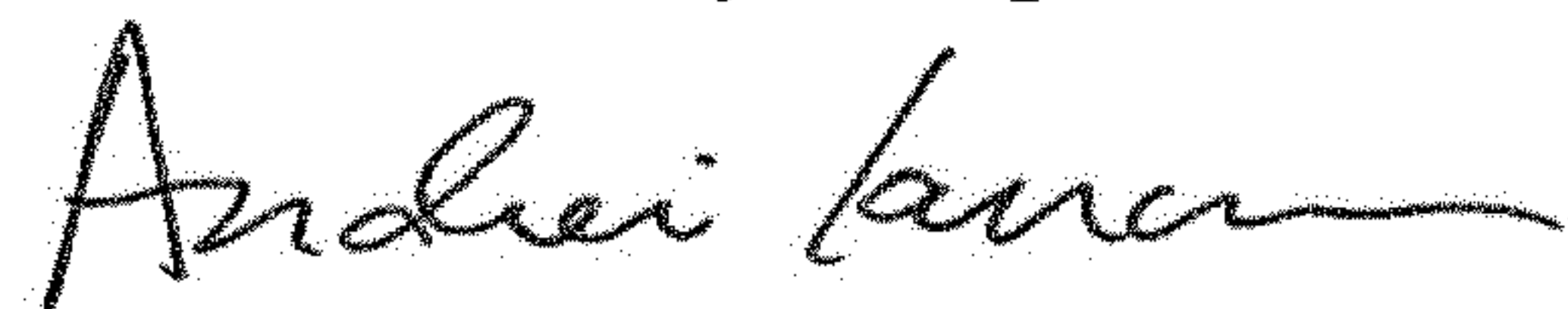
Line 8, "left" should be ---right---

Line 9, "right" should be ---left---

Line 10, delete the "." after "FIG. 9".

Line 10, "Is" should be ---is---

Signed and Sealed this
Thirtieth Day of April, 2019



Andrei Iancu
Director of the United States Patent and Trademark Office