



US00D842771S

(12) **United States Design Patent**
Nishii

(10) **Patent No.:** **US D842,771 S**
(45) **Date of Patent:** **** Mar. 12, 2019**

(54) **REAR BUMPER FOR AN AUTOMOBILE**

(71) Applicant: **Subaru Corporation**, Tokyo (JP)

(72) Inventor: **Takatoshi Nishii**, Tokyo (JP)

(73) Assignee: **Subaru Corporation**, Tokyo (JP)

(**) Term: **15 Years**

(21) Appl. No.: **29/617,280**

(22) Filed: **Sep. 13, 2017**

(30) **Foreign Application Priority Data**

Mar. 13, 2017 (JP) 2017-005056

(51) **LOC (11) Cl.** **12-16**

(52) **U.S. Cl.**
USPC **D12/169**

(58) **Field of Classification Search**
USPC D12/169, 102, 113, 115, 117, 120;
296/180.1, 180.2
CPC B60R 19/02; B60R 19/04; B62D 25/08
See application file for complete search history.

(56) **References Cited**

U.S. PATENT DOCUMENTS

D773,351 S * 12/2016 Munakata D12/169
D773,352 S * 12/2016 Munakata D12/169
D779,395 S * 2/2017 Horie D12/169
D784,866 S * 4/2017 Hill D12/169

D786,746 S * 5/2017 Wheel D12/169
D792,291 S * 7/2017 Suga D12/169
D793,927 S * 8/2017 Potter D12/169
D797,617 S * 9/2017 Mori D12/169
D801,883 S * 11/2017 Fujiwara D12/169
D801,885 S * 11/2017 Melikian D12/169
D808,871 S * 1/2018 Peat D12/169
D813,114 S * 3/2018 Zurian D12/169
D813,742 S * 3/2018 McMahan D12/169
D813,756 S * 3/2018 Loeb D12/169
D824,415 S * 7/2018 Harvey D14/487
D825,409 S * 8/2018 Kayakabe D12/169
D825,413 S * 8/2018 Luk D12/169

* cited by examiner

Primary Examiner — Melody N Brown

(74) *Attorney, Agent, or Firm* — Schiff Hardin LLP

(57) **CLAIM**

The ornamental design for a rear bumper for an automobile thereof, as shown and described.

DESCRIPTION

FIG. 1 is a front perspective view for a “rear bumper for an automobile” showing my new design, FIG. 2 is a rear perspective view thereof, FIG. 3 is a front view thereof, FIG. 4 is a rear view thereof, FIG. 5 is a top view thereof, FIG. 6 is a bottom view thereof, FIG. 7 is a left-side view thereof; and, FIG. 8 is a right-side view thereof.

1 Claim, 8 Drawing Sheets

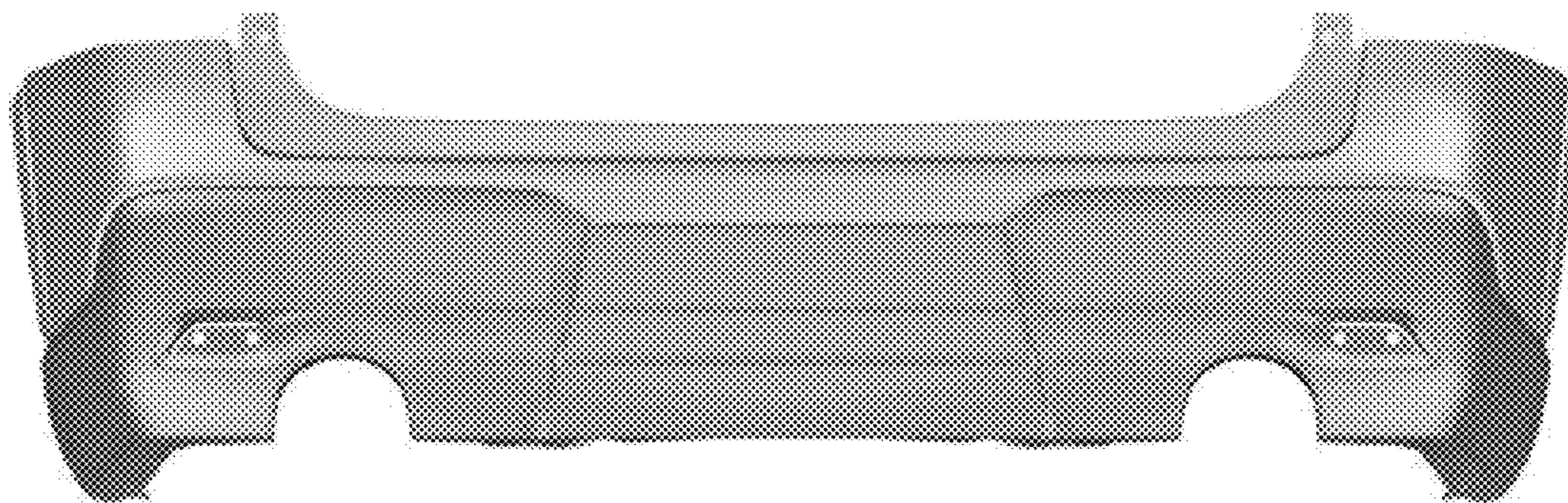


Fig. 1

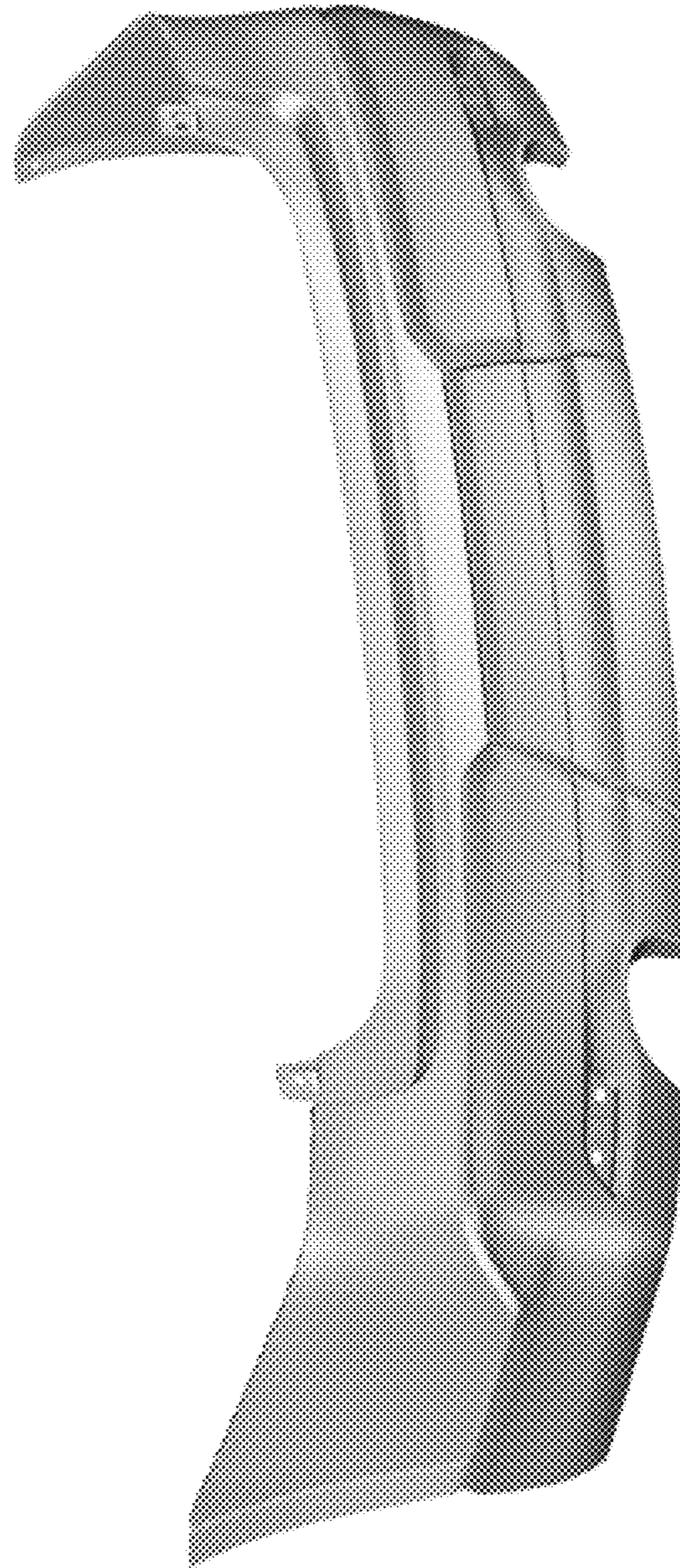


Fig. 2

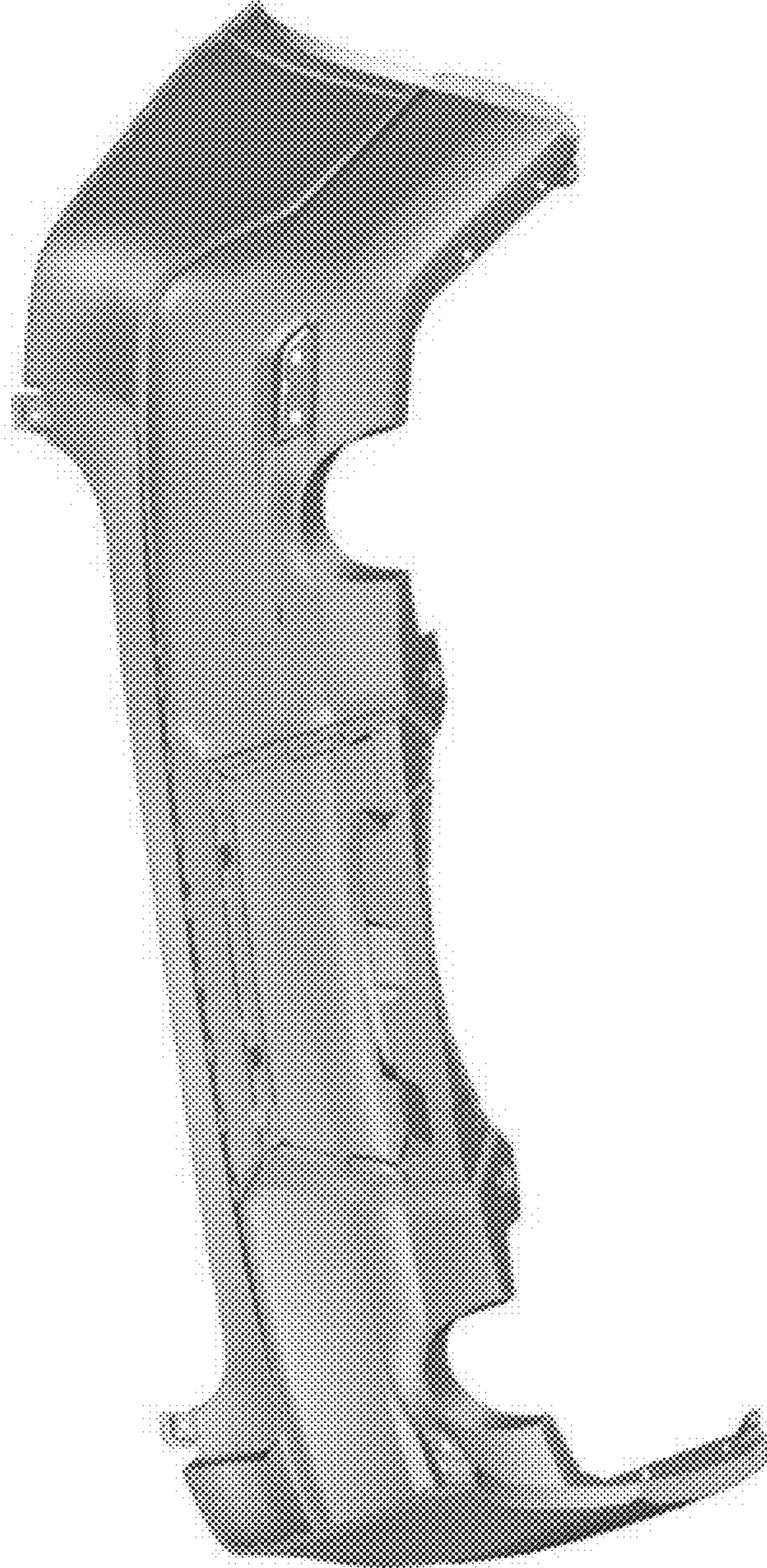


Fig. 3

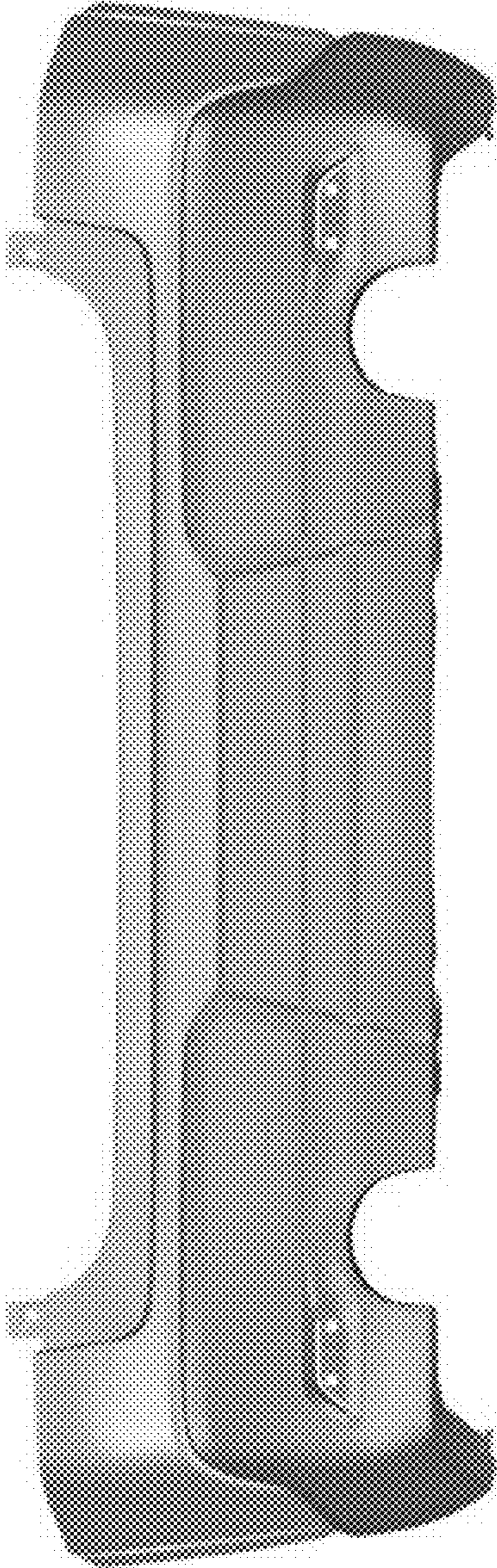


Fig. 4

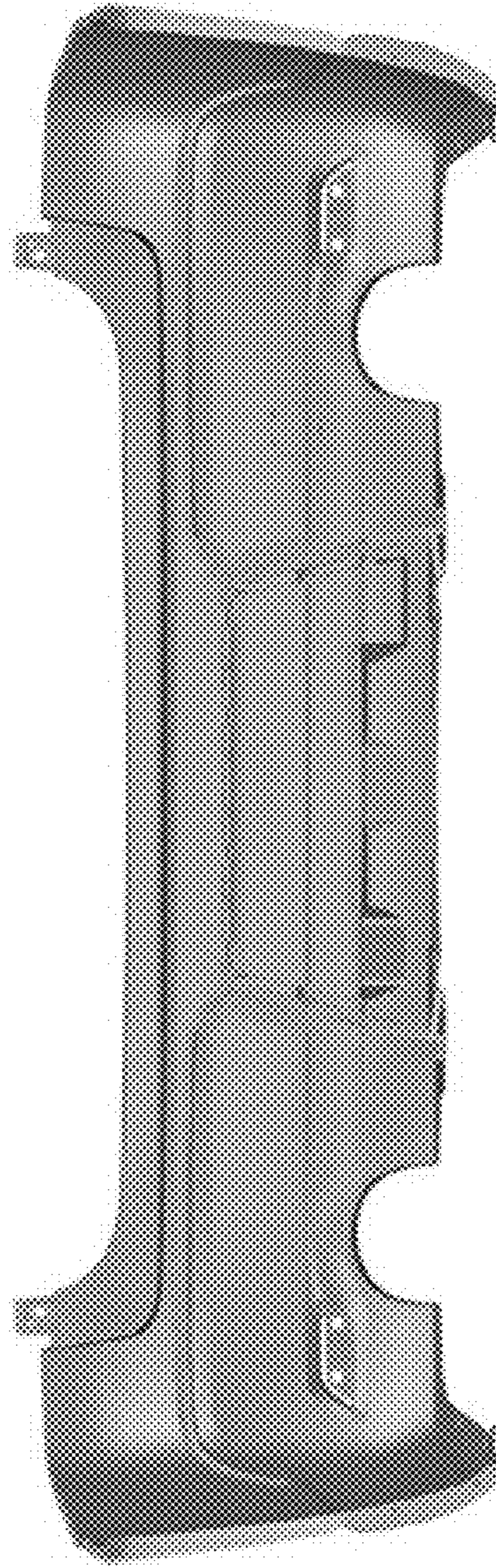


Fig. 5

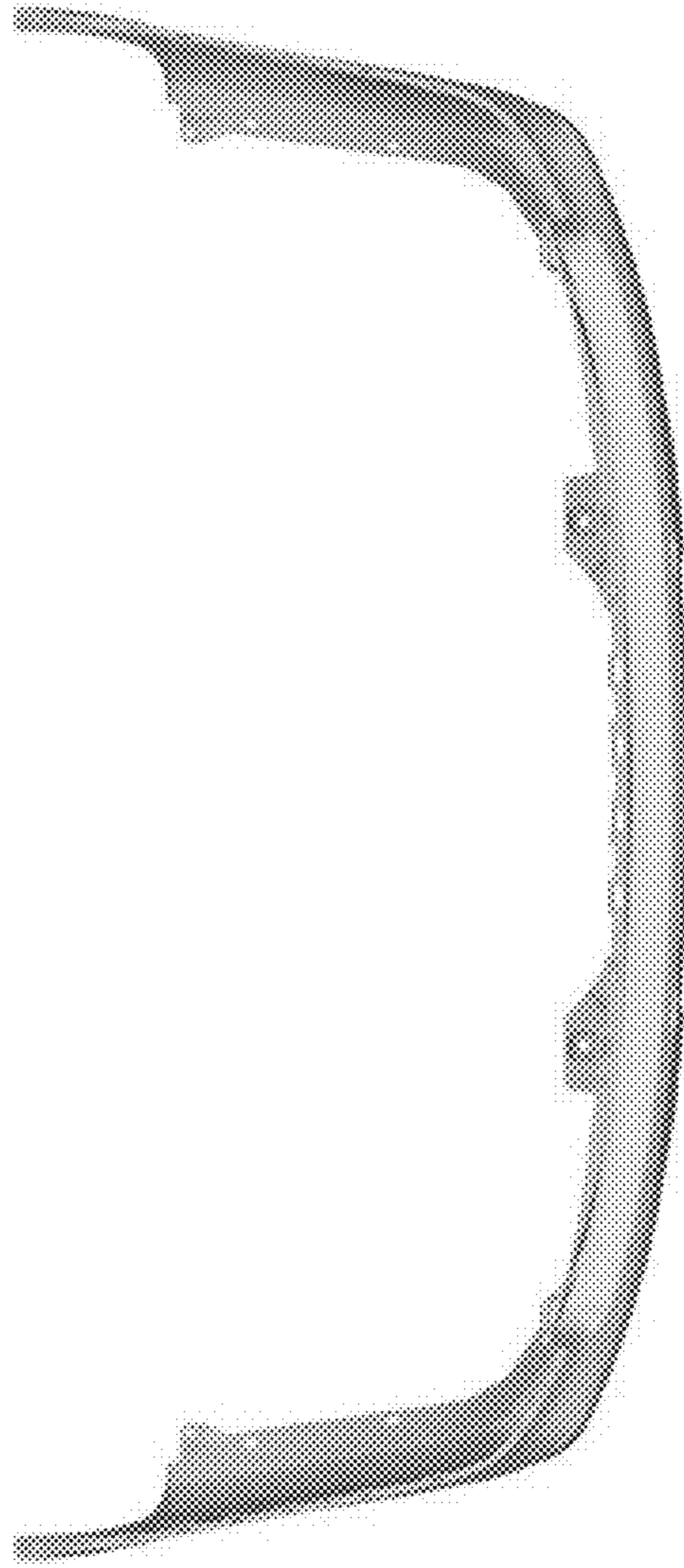


Fig. 6

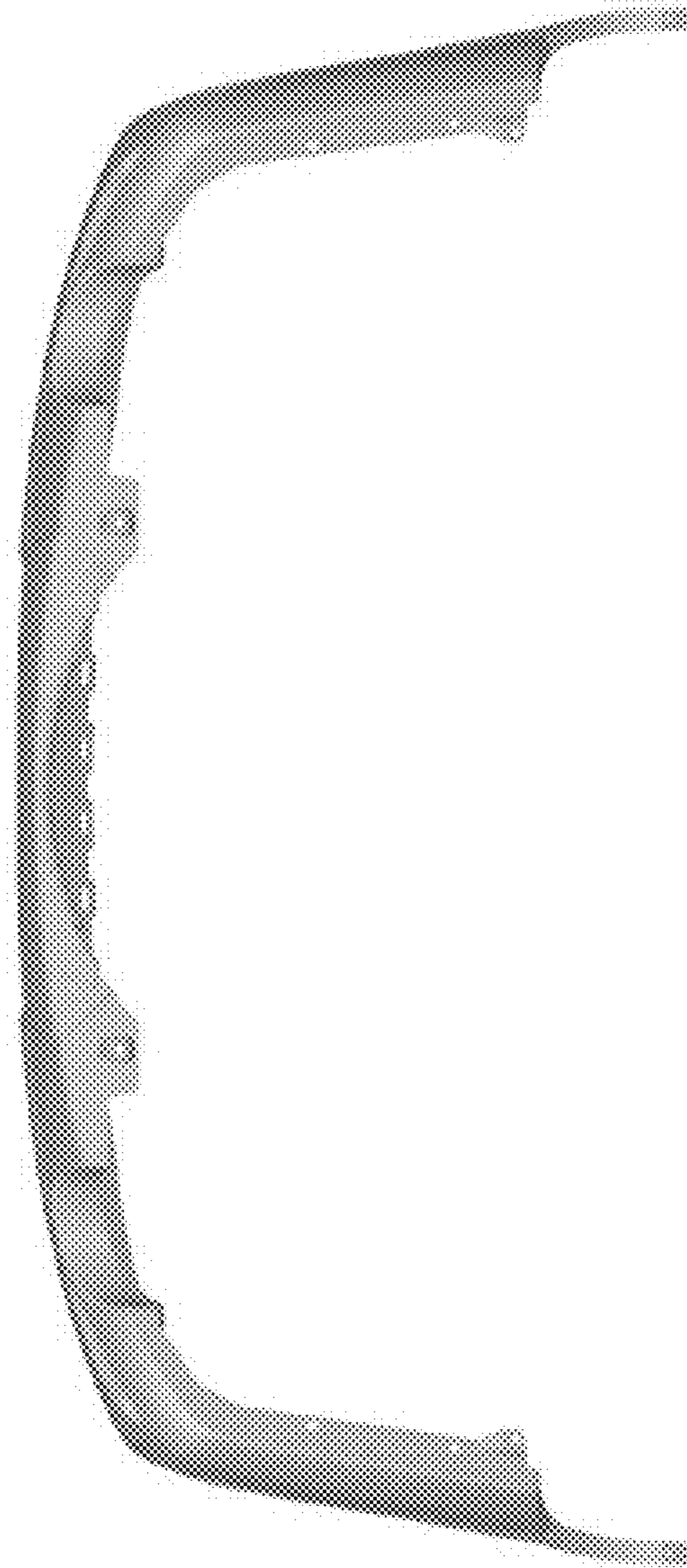


Fig. 7

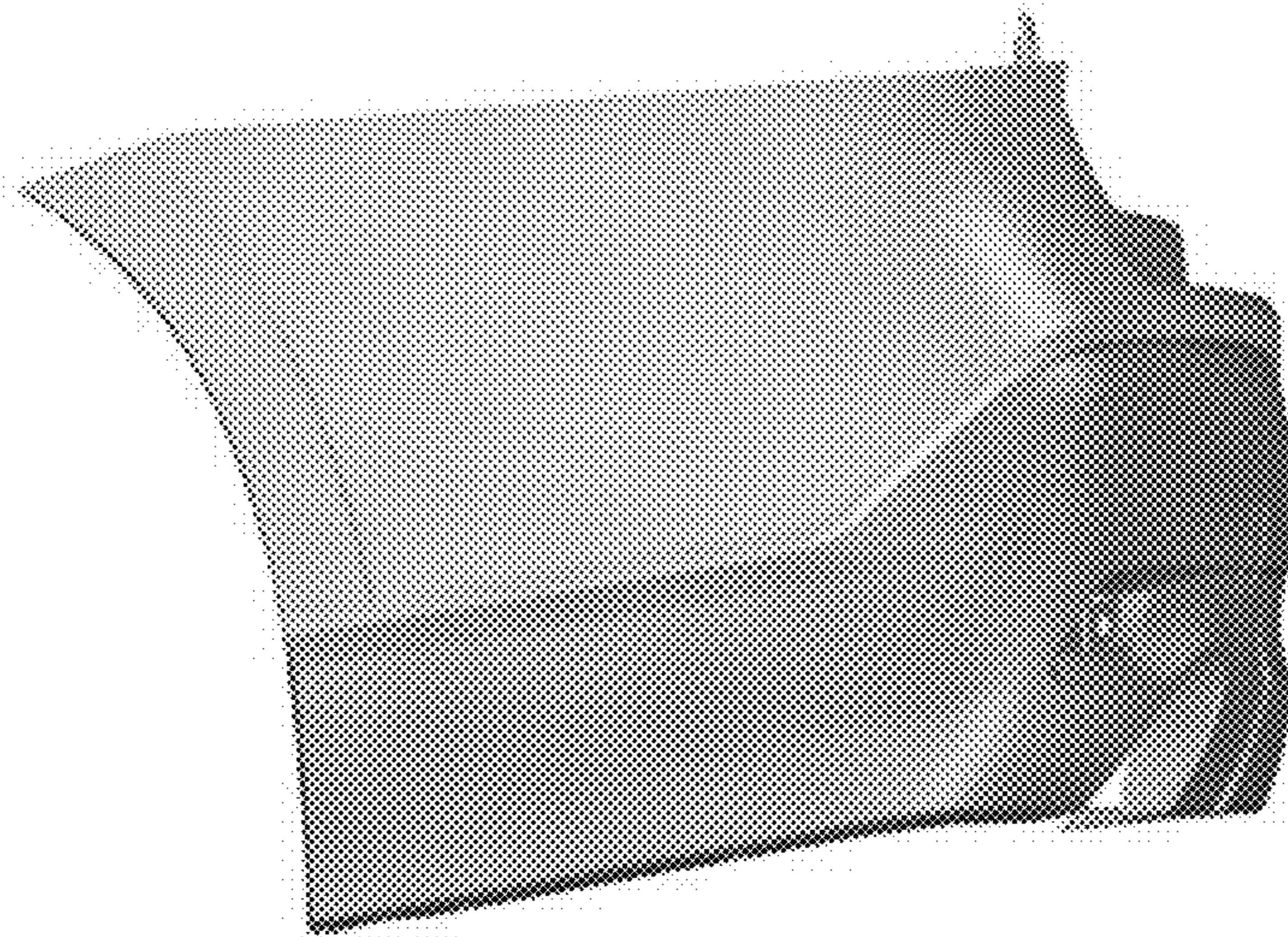


Fig. 8

