



US00D842768S

(12) **United States Design Patent**  
**Anderson et al.**

(10) **Patent No.:** **US D842,768 S**  
(45) **Date of Patent:** **\*\* Mar. 12, 2019**

- (54) **BUMPER COMPONENT**
- (71) Applicant: **Volvo Lastvagnar AB**, Göteborg (SE)
- (72) Inventors: **Ian Anderson**, Greensboro, NC (US);  
**Jeff Cotner**, Greensboro, NC (US)
- (73) Assignee: **VOLVO LASTVAGNAR AB**,  
Gothenburg (SE)
- (\*\*) Term: **15 Years**
- (21) Appl. No.: **29/600,110**
- (22) Filed: **Apr. 10, 2017**
- (51) **LOC (11) Cl.** ..... **12-16**
- (52) **U.S. Cl.**  
USPC ..... **D12/169**
- (58) **Field of Classification Search**  
USPC ..... D12/169, 86, 90, 91, 92, 163, 164, 171,  
D12/196, 216  
CPC ..... B60R 19/02; B60R 19/18; B60R 19/56;  
B60R 2019/007; B60F 19/27; B62D  
25/0845  
See application file for complete search history.

D819,520 S *	6/2018	Platto .....	B60R 19/00 D12/169
D822,550 S *	7/2018	Wassell .....	B60R 19/24 D12/169
2006/0125253 A1*	6/2006	Trabant .....	B60R 19/24 293/155
2011/0127798 A1*	6/2011	Lee .....	B60R 19/18 296/187.04
2014/0111370 A1*	4/2014	Aleem .....	B60R 19/483 342/70

**OTHER PUBLICATIONS**

Images of Volvo VNL Truck, released 2002, 2 pages.

\* cited by examiner

*Primary Examiner* — Robin V Webster  
*Assistant Examiner* — Rachel A Voorhies  
(74) *Attorney, Agent, or Firm* — Tucker Ellis LLP

(57) **CLAIM**

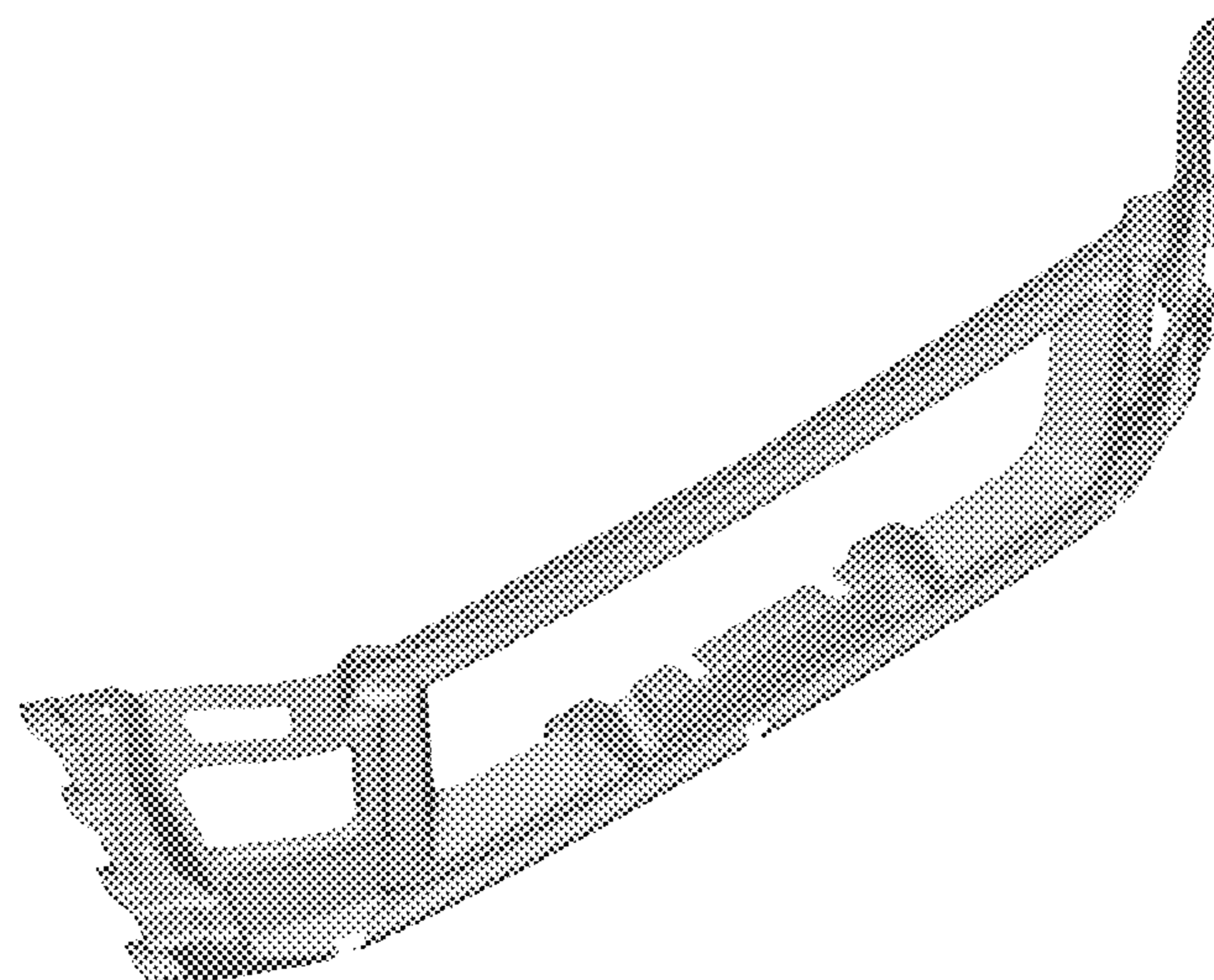
The ornamental design for a bumper component, as shown and described.

**DESCRIPTION**

FIG. 1 is a top front left perspective view of a bumper component showing our new design; FIG. 2 is a front view thereof; FIG. 3 is a right side view thereof; FIG. 4 is a left side view thereof; FIG. 5 is a top view thereof; FIG. 6 is a bottom view thereof; and, FIG. 7 is a rear view thereof.

**1 Claim, 4 Drawing Sheets**

- (56) **References Cited**  
U.S. PATENT DOCUMENTS  
D506,712 S \* 6/2005 Suzuki ..... D12/169  
D556,100 S \* 11/2007 Kaoud ..... D12/169  
D560,144 S \* 1/2008 Tant ..... D12/169  
D585,342 S \* 1/2009 Kamimura ..... D12/169  
D612,778 S \* 3/2010 Beigel ..... D12/169  
D615,465 S \* 5/2010 Fujiwara ..... D12/169  
D737,181 S \* 8/2015 Smith ..... D12/169  
9,327,780 B1 \* 5/2016 Bird ..... B60R 19/023  
D801,891 S \* 11/2017 Scheinhutte ..... D12/169



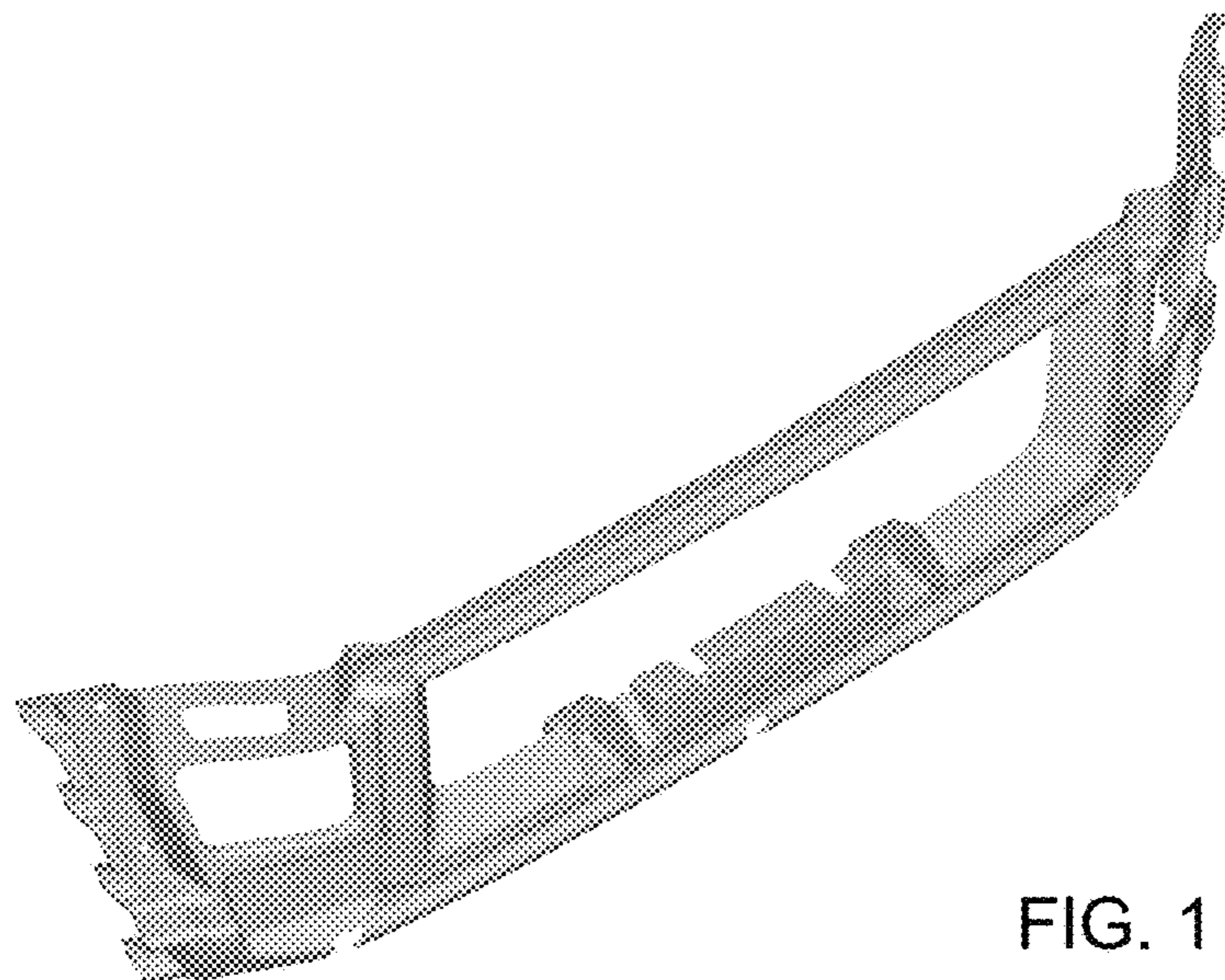


FIG. 1

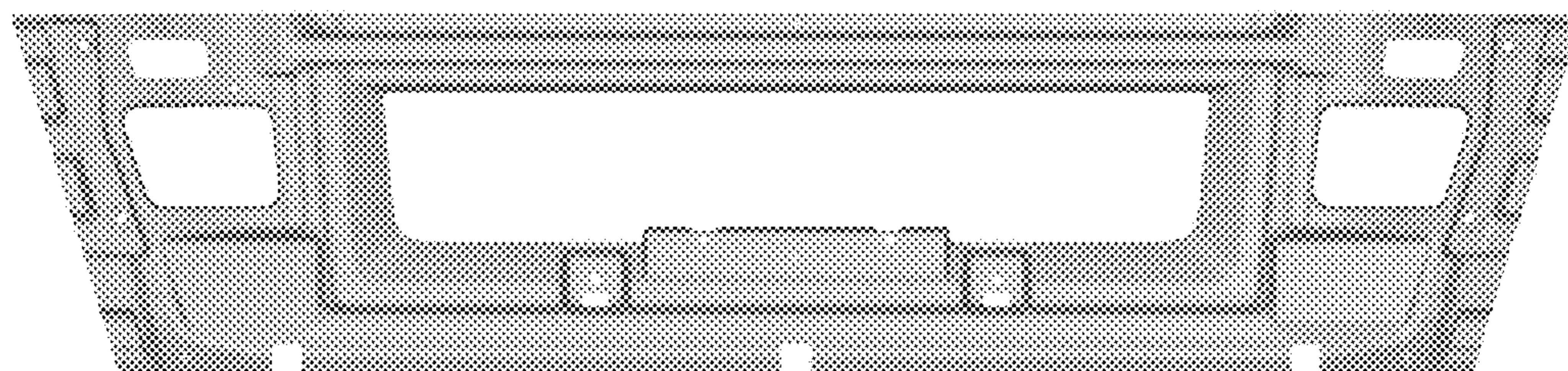


FIG. 2

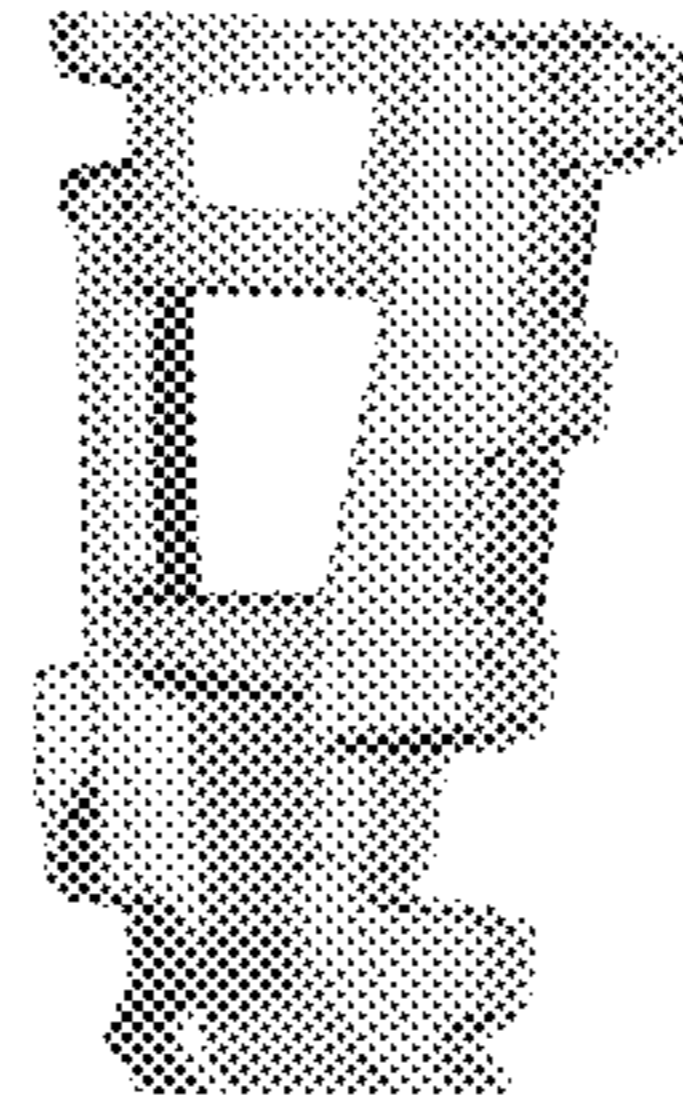


FIG. 3

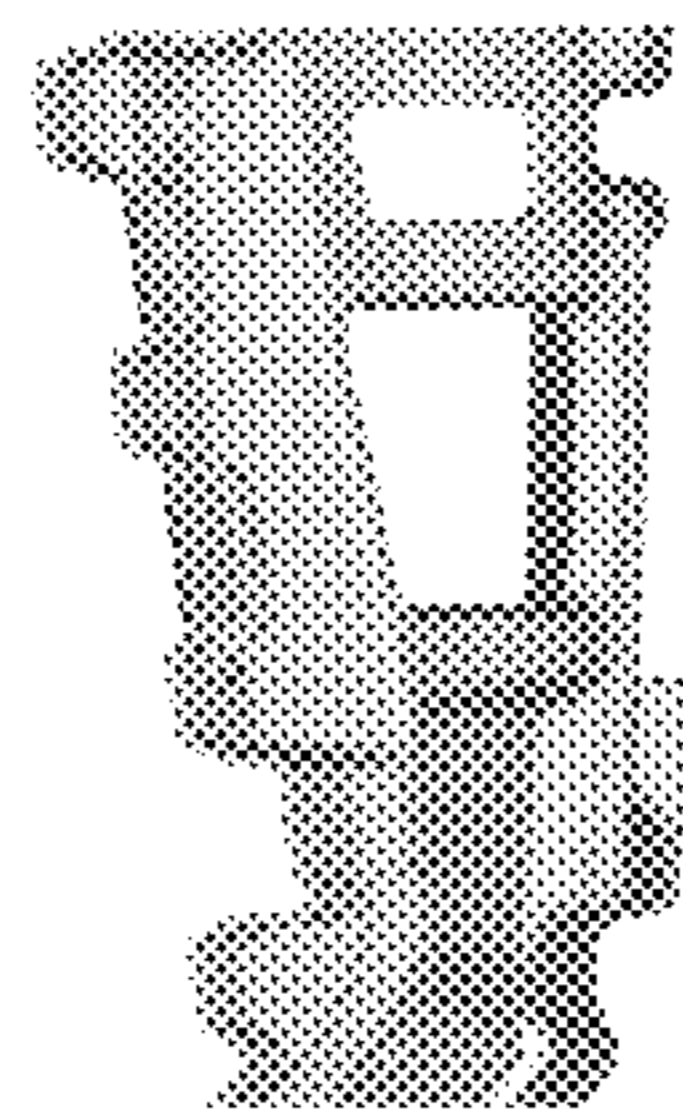


FIG. 4



FIG. 5



FIG. 6



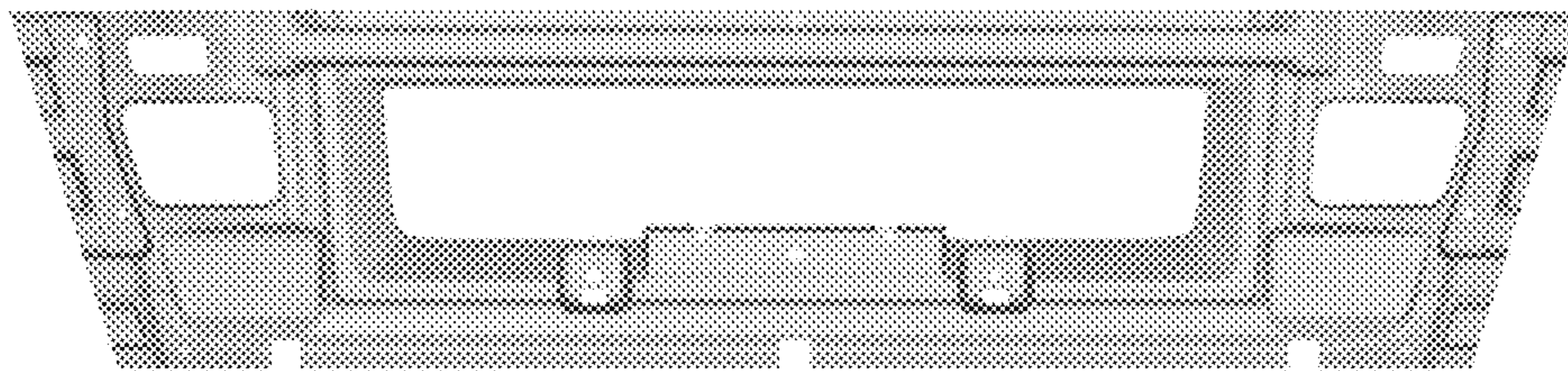


FIG. 7