



US00D842766S

(12) **United States Design Patent** (10) **Patent No.:** **US D842,766 S**  
**Greene** (45) **Date of Patent:** **\*\* Mar. 12, 2019**

(54) **DECORATIVE PLATE FOR MOTORCYCLE**

(71) Applicant: **Bandit Designs LLC**, Northfield, OH (US)

(72) Inventor: **Chad Greene**, Northfield, OH (US)

(73) Assignee: **Bandit Designs LLC**, Northfield, OH (US)

(\*\*) Term: **15 Years**

(21) Appl. No.: **29/606,727**

(22) Filed: **Jun. 7, 2017**

(51) **LOC (11) Cl.** ..... **12-11**

(52) **U.S. Cl.**  
USPC ..... **D12/114**

(58) **Field of Classification Search**  
USPC ..... D12/114, 115, 110, 117, 119, 126, 223,  
D12/406, 407  
CPC ..... B62J 11/00; B62J 9/00; B62J 17/00; B62J  
27/00

See application file for complete search history.

(56) **References Cited**

**U.S. PATENT DOCUMENTS**

3,794,353	A *	2/1974	Oliver	.....	B62J 25/00 280/291
D244,519	S *	5/1977	Larsen	.....	D12/114
D281,412	S *	11/1985	Barnhart	.....	D12/190
D343,152	S *	1/1994	Preisler	.....	D12/114
D348,422	S *	7/1994	Rasmusen	.....	D12/114
D361,311	S *	8/1995	Lindby	.....	D12/114
D365,534	S *	12/1995	Malone	.....	D12/114
5,736,233	A *	4/1998	Fye		
D394,635	S *	5/1998	Saunders	.....	D12/400
D484,074	S *	12/2003	Henneberry	.....	D12/114

(Continued)

*Primary Examiner* — Michelle E. Wilson

*Assistant Examiner* — Clese Moore, Jr.

(74) *Attorney, Agent, or Firm* — Tarolli, Sundheim, Covell & Tummino LLP

(57) **CLAIM**

The ornamental design for a decorative plate for motorcycle, as shown and described.

**DESCRIPTION**

FIG. 1 is a front perspective view of a decorative plate for motorcycle shown in a first usage environment of the present disclosure;

FIG. 2 is a front perspective view thereof;

FIG. 3 is a front elevation view thereof;

FIG. 4 is a rear elevation view thereof;

FIG. 5 is a left side plan view thereof, the right side being identical to the left side view thereof;

FIG. 6 is a top plan view thereof;

FIG. 7 is a bottom plan view thereof;

FIG. 8 is a rear perspective view thereof;

FIG. 9 is a front exploded assembly view thereof;

FIG. 10 is a rear exploded assembly view thereof;

FIG. 11 is a front perspective view of the decorative plate for motorcycle showing a different indicia usage for the decorative plate for motorcycle of FIG. 2;

FIG. 12 is a front plan view of the decorative plate for motorcycle showing a different indicia usage for the decorative plate for motorcycle of FIG. 3;

FIG. 13 is a front perspective view of an assembly of the decorative plate for motorcycle illustrating a second usage environment of the present disclosure;

FIG. 14 is a front elevation view of the usage environment of FIG. 13;

FIG. 15 is a rear elevation view thereof;

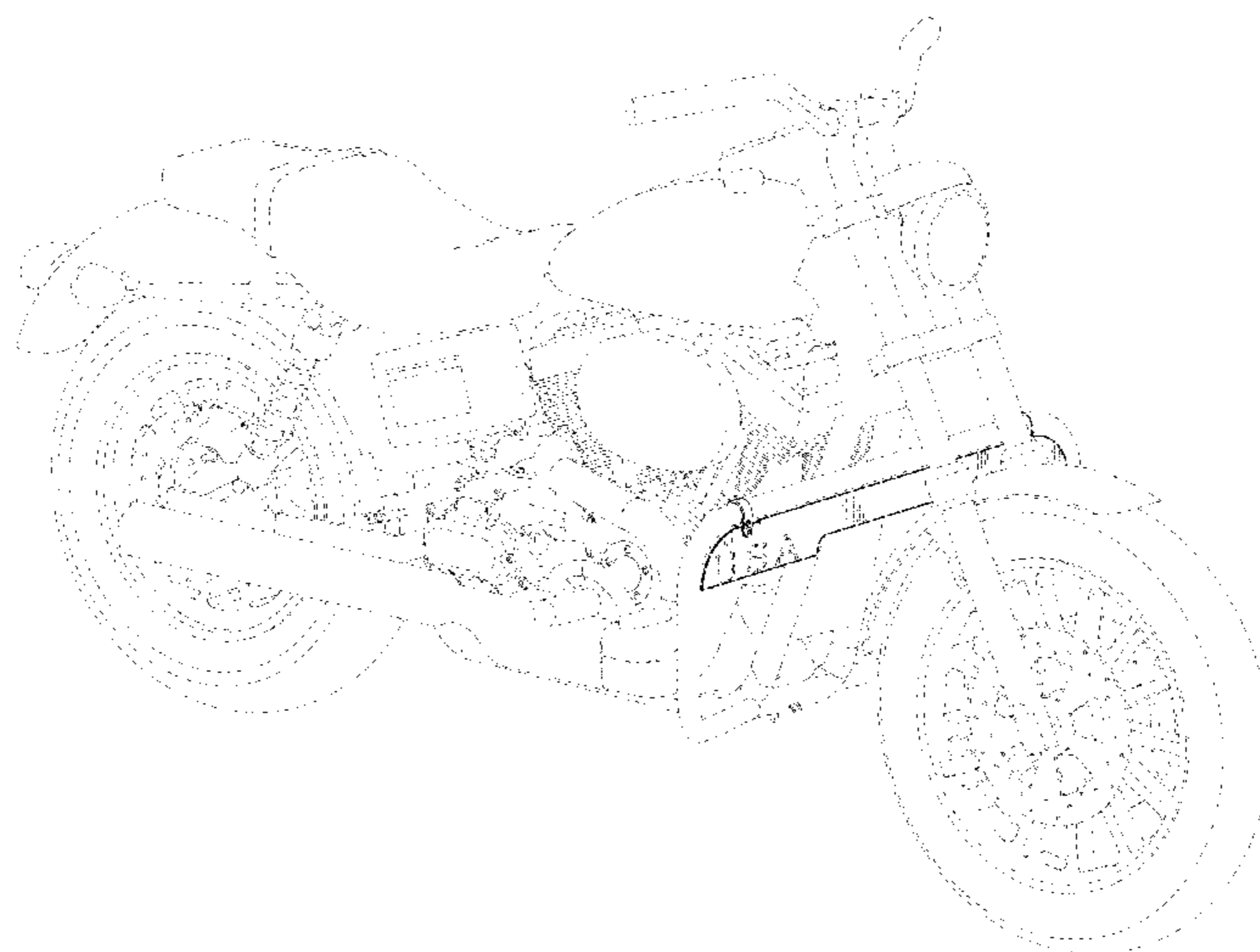
FIG. 16 is a left side view thereof, the right side view being identical to the left side view thereof;

FIG. 17 is a top plan view thereof; and,

FIG. 18 is a bottom plan view thereof.

The broken lines shown illustrate portions of the decorative plate for motorcycle and environment that form no part of the claimed design.

**1 Claim, 7 Drawing Sheets**



(56)

**References Cited**

U.S. PATENT DOCUMENTS

D491,493	S *	6/2004	Stahel .....	D12/114
D520,412	S *	5/2006	Lee .....	D12/117
D521,416	S *	5/2006	Lindby .....	D12/114
D548,142	S *	8/2007	Lindby .....	D12/114
D568,214	S *	5/2008	Greenfield .....	D12/114
D575,199	S *	8/2008	Stahel, Jr. ....	D12/114
D576,763	S *	9/2008	Hartman .....	D26/138
7,753,430	B1	7/2010	Elgin	
D623,576	S *	9/2010	Lemieux .....	D12/223
7,936,269	B2	5/2011	Persson et al.	
8,424,949	B2	4/2013	Ransone	
8,769,850	B1	7/2014	Mottola	
D777,954	S *	1/2017	Salami, Jr. ....	D26/28
D786,139	S *	5/2017	Yaffe .....	D12/114
2005/0252331	A1 *	11/2005	Chen .....	B62K 21/125 74/551.8

\* cited by examiner

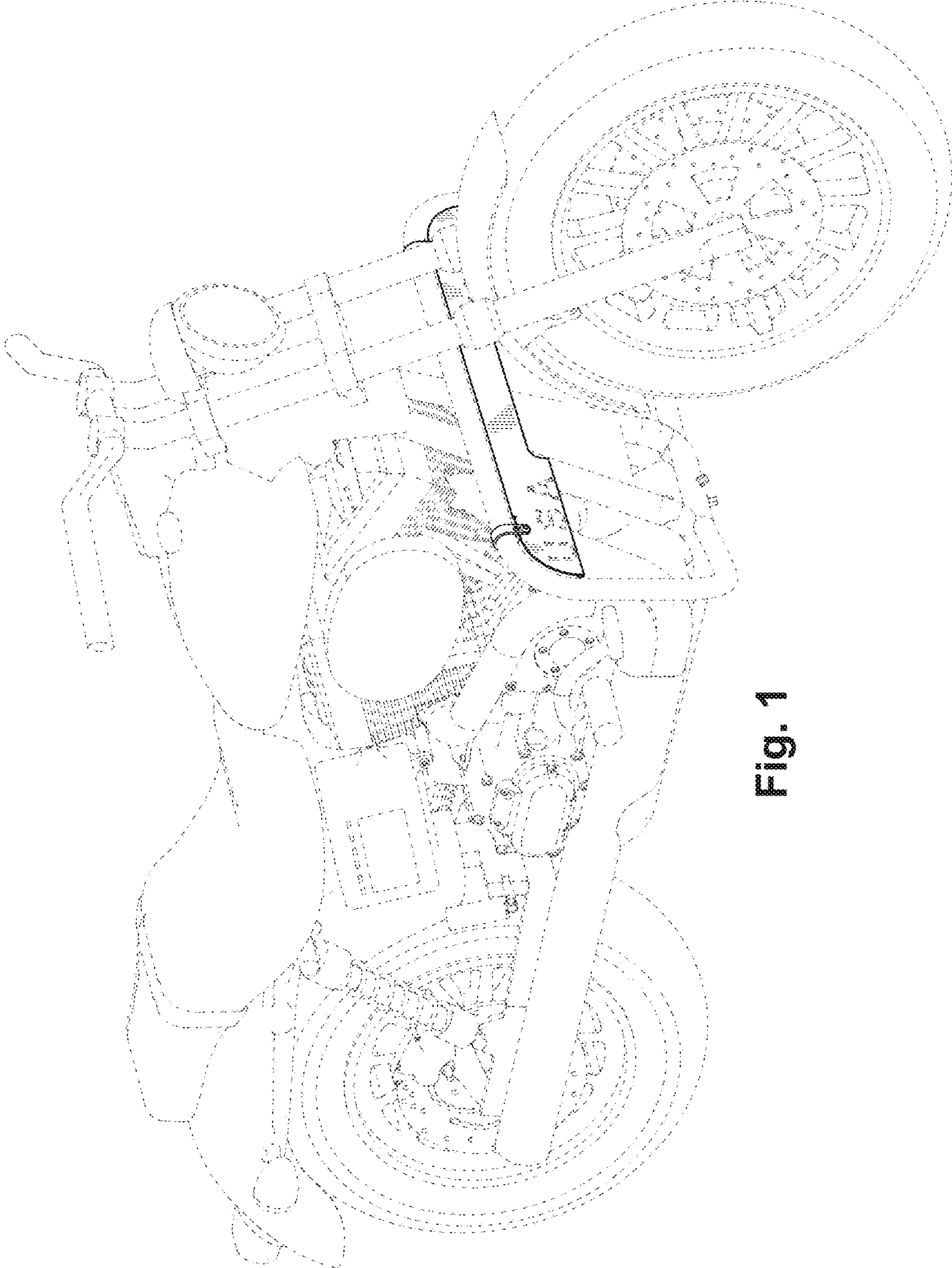


Fig. 1

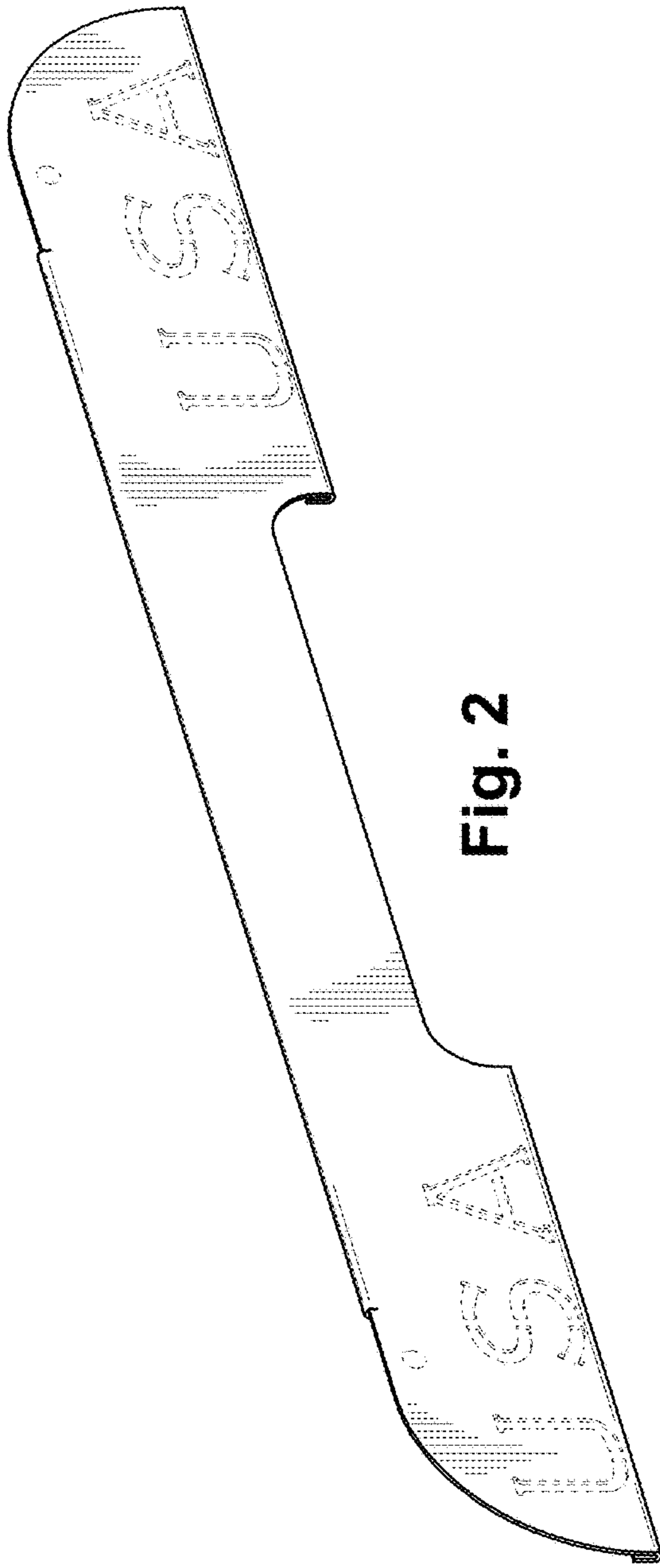


Fig. 2

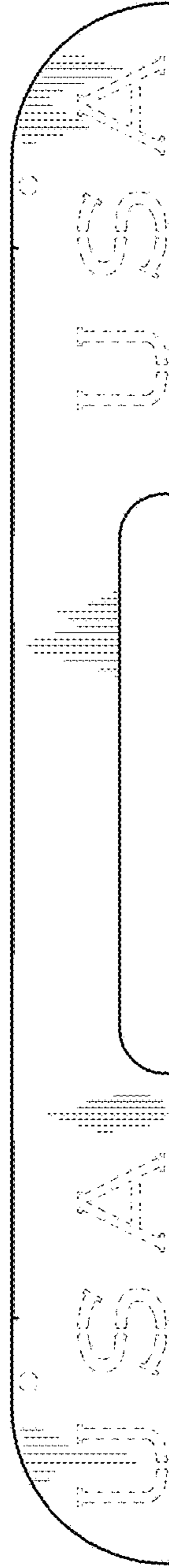


Fig. 3

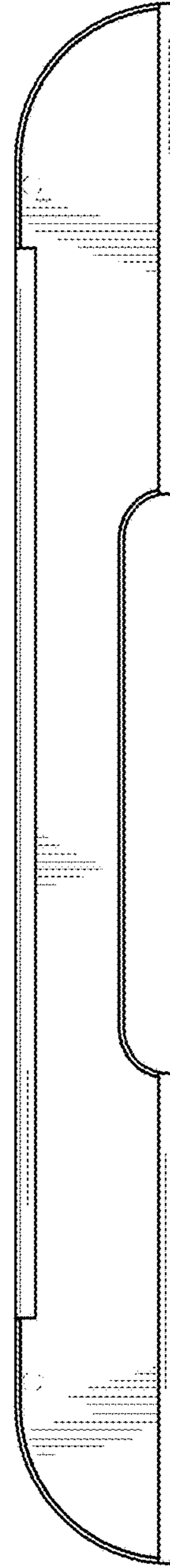


Fig. 4

Fig. 5



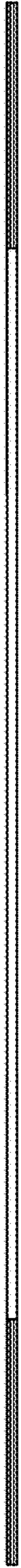


Fig. 6



Fig. 7

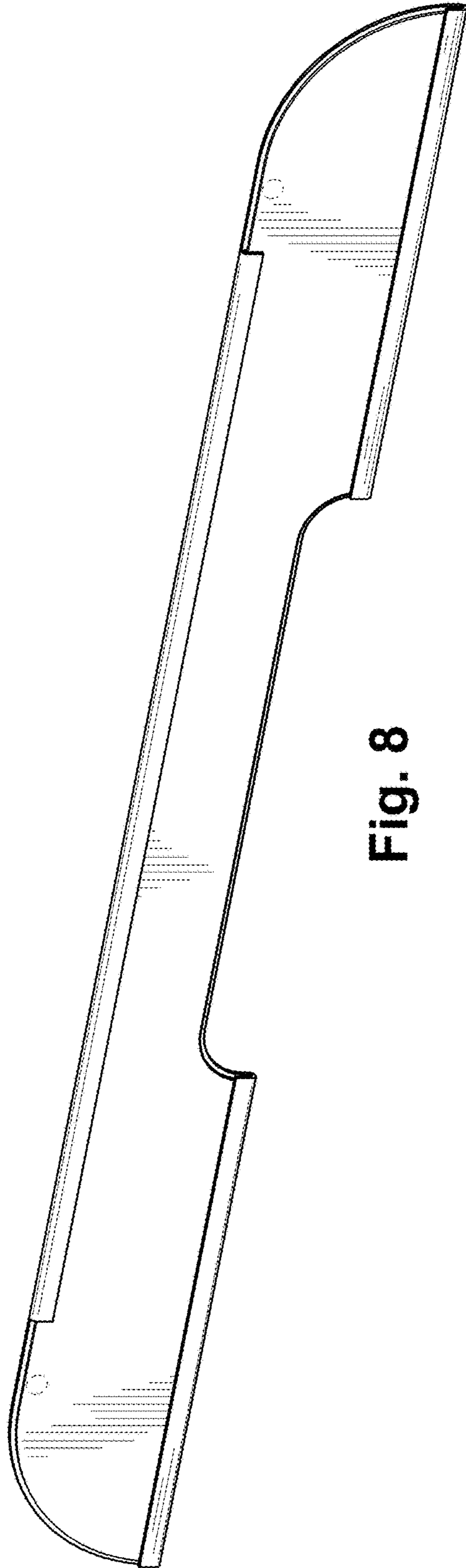


Fig. 8

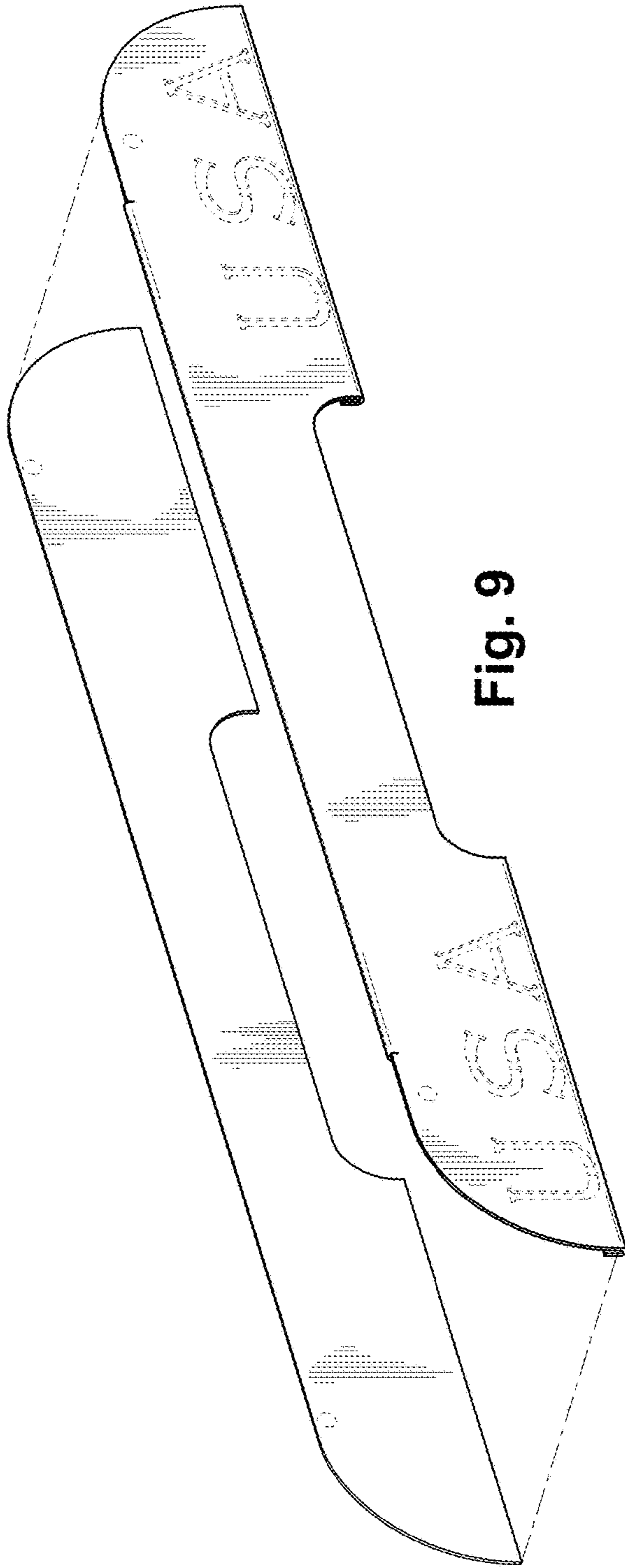


Fig. 9

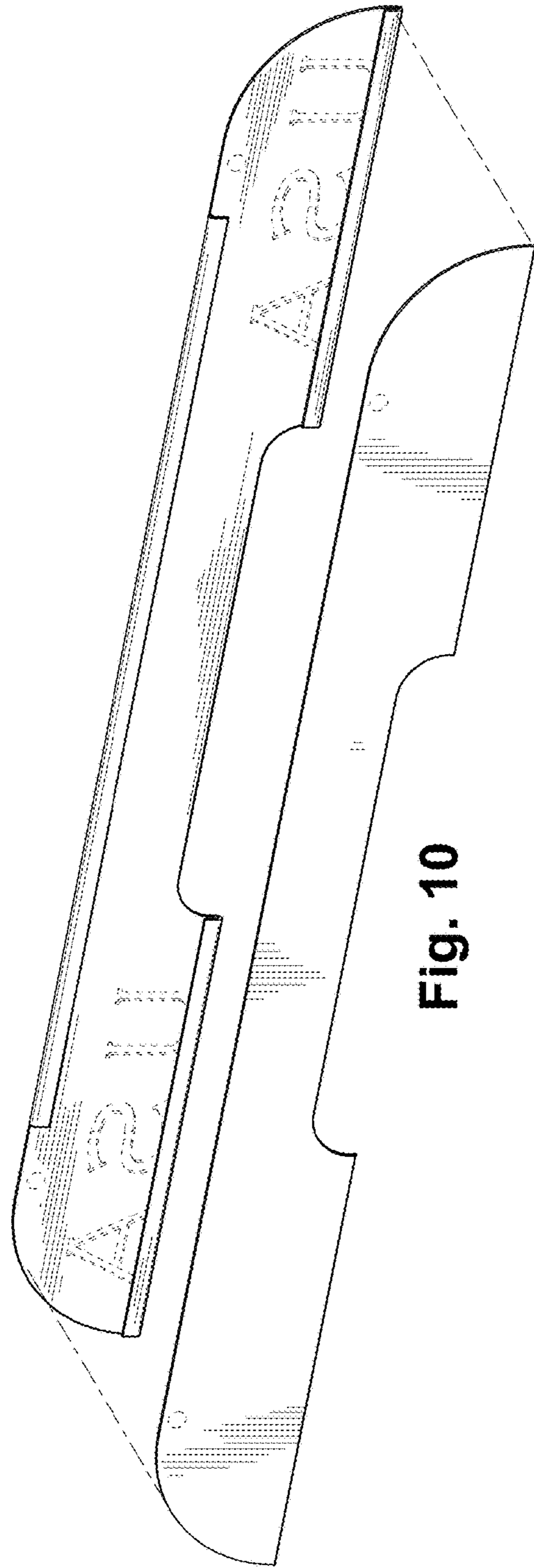


Fig. 10

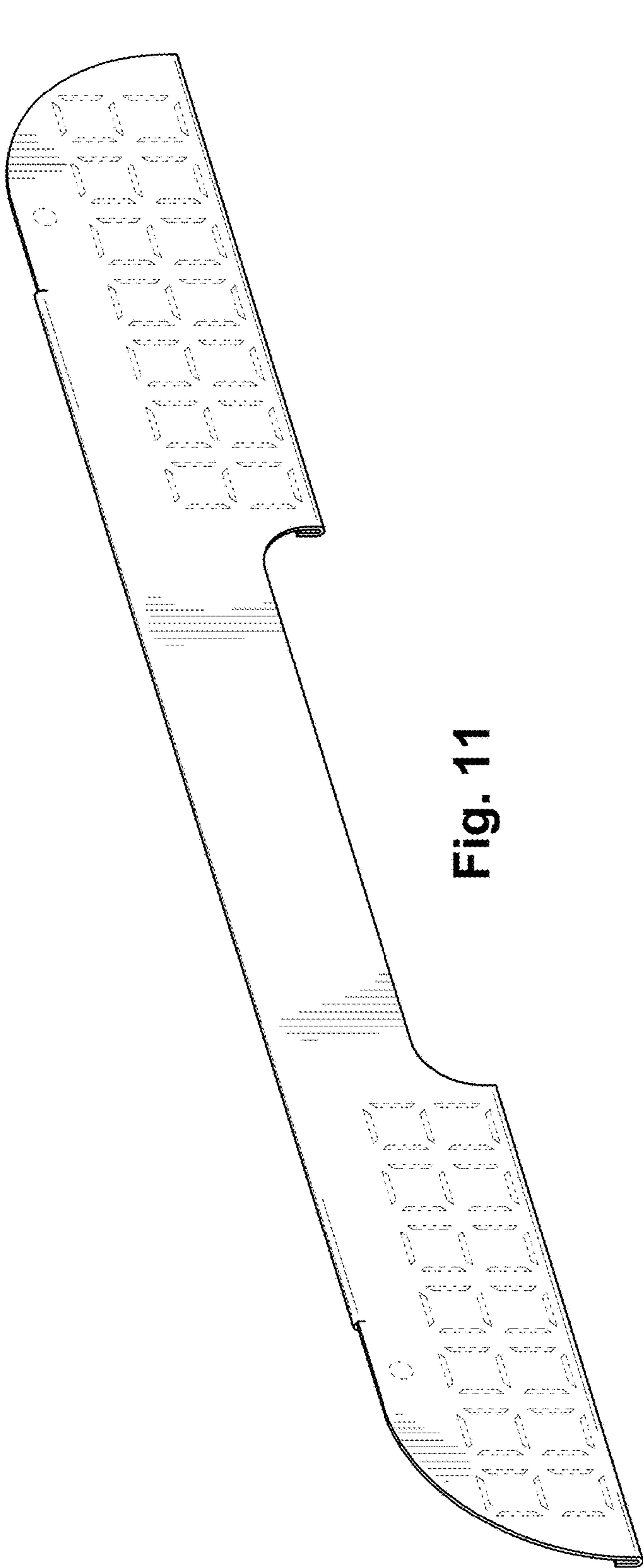


Fig. 11

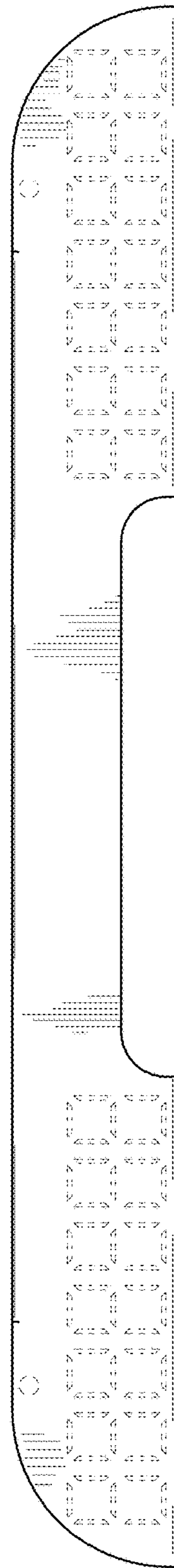


Fig. 12

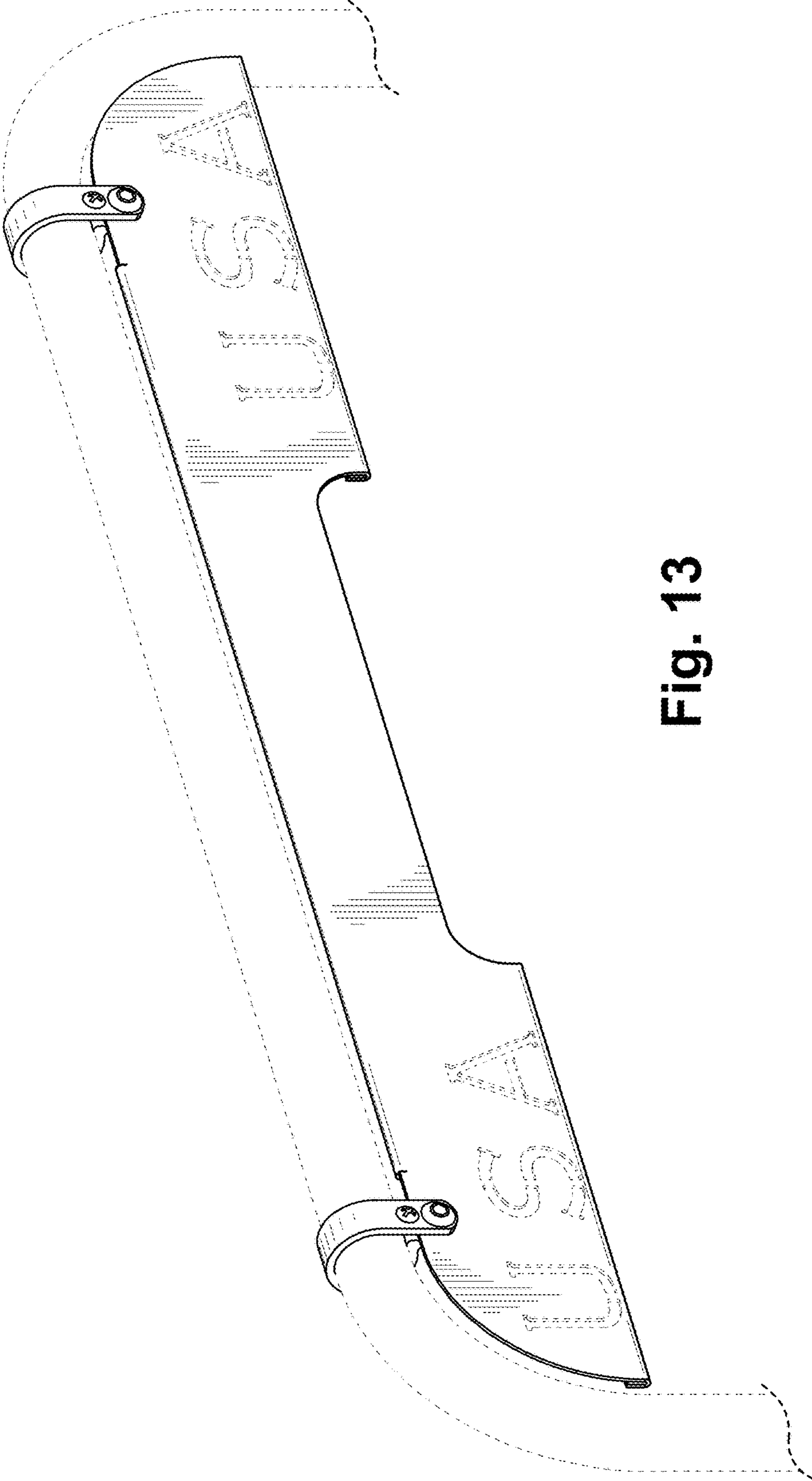


Fig. 13



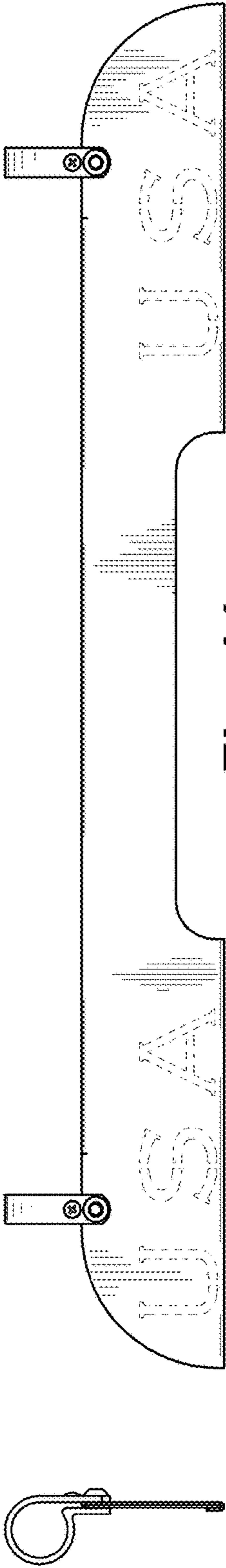


Fig. 14

Fig. 15

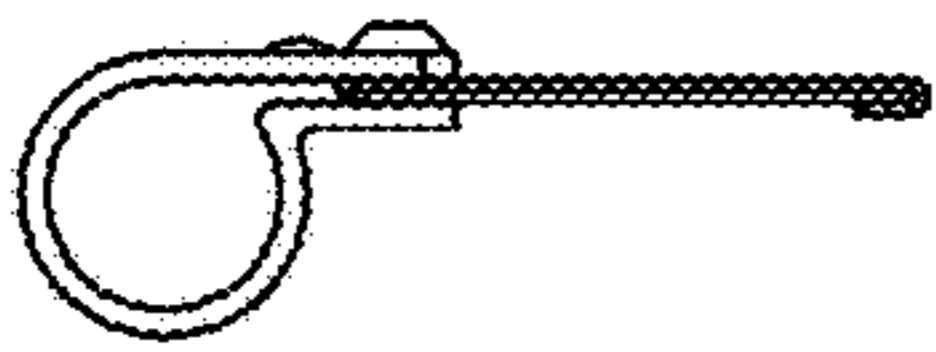


Fig. 18

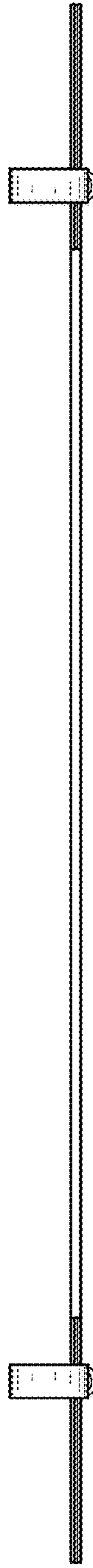


Fig. 16



Fig. 17