



US00D842765S

(12) **United States Design Patent** (10) **Patent No.:** **US D842,765 S**  
**Deltour** (45) **Date of Patent:** **\*\* Mar. 12, 2019**

(54) **BICYCLE FRAME**  
(71) Applicant: **LA POSTE**, Paris (FR)  
(72) Inventor: **Pauline Deltour**, Paris (FR)  
(73) Assignee: **LA POSTE**, Paris (FR)  
(\*\*) Term: **15 Years**  
(21) Appl. No.: **29/632,231**  
(22) Filed: **Jan. 5, 2018**  
(51) **LOC (11) Cl.** ..... **12-11**  
(52) **U.S. Cl.**  
USPC ..... **D12/111**  
(58) **Field of Classification Search**  
USPC ..... D12/111, 117; D21/412, 414, 419,  
D21/423-428, 431-435  
CPC ..... B62K 3/00; B62K 3/02; B62K 3/06  
See application file for complete search history.

D734,218 S \* 7/2015 D'Aluisio ..... D12/111  
D735,089 S \* 7/2015 Gauthier ..... D12/111  
D742,284 S \* 11/2015 Strickland ..... D12/111  
D774,970 S \* 12/2016 D'Aluisio ..... D12/111  
9,611,003 B1 \* 4/2017 Yu ..... B62M 6/90  
D785,509 S \* 5/2017 Juhlin ..... D12/111  
D801,875 S \* 11/2017 Pfeiffer ..... D12/111  
D802,487 S \* 11/2017 Petrov ..... D12/111  
D811,275 S \* 2/2018 Hendey ..... D12/111  
2014/0265406 A1 \* 9/2014 Huber ..... B62K 19/36  
296/29  
2016/0236745 A1 \* 8/2016 Groendal ..... B62K 19/02  
2018/0065704 A1 \* 3/2018 Choi ..... B60B 27/026

\* cited by examiner

*Primary Examiner* — Darlington Ly

(74) *Attorney, Agent, or Firm* — Banner & Witcoff, Ltd.

(57) **CLAIM**

The ornamental design for a bicycle frame, as shown and described.

**DESCRIPTION**

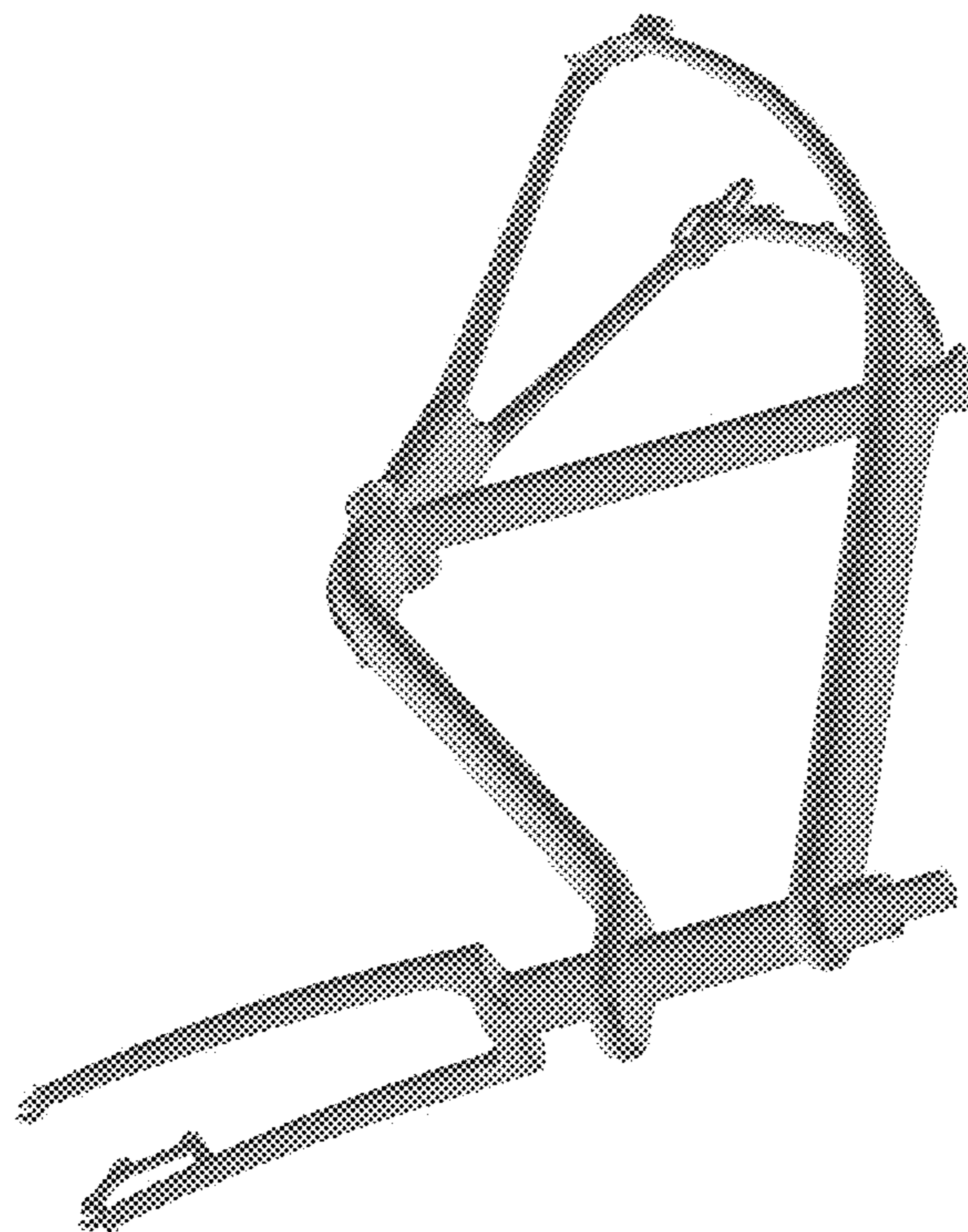
FIG. 1 is a bottom plan view of a bicycle frame showing my new design;  
FIG. 2 is a top plan view thereof;  
FIG. 3 is a rear elevation view thereof;  
FIG. 4 is a left side elevation view thereof, to which the right side elevation view is a mirror image;  
FIG. 5 is a front elevation view thereof;  
FIG. 6 is a rear perspective view thereof; and,  
FIG. 7 is a front perspective view thereof.

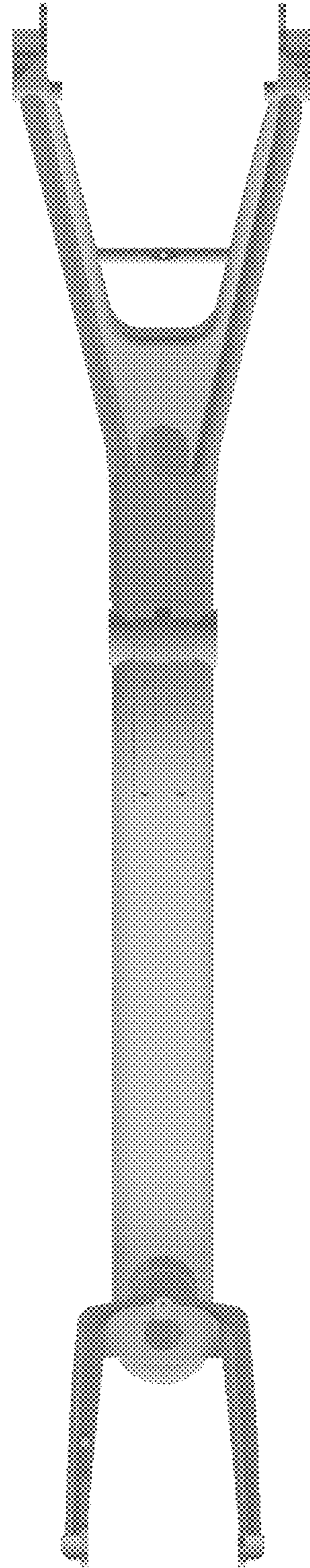
**1 Claim, 7 Drawing Sheets**

(56) **References Cited**

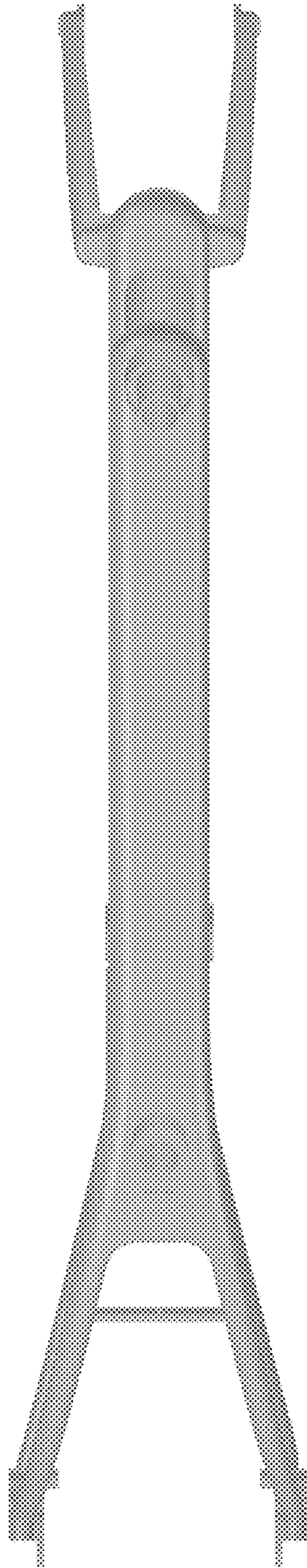
U.S. PATENT DOCUMENTS

D507,768 S \* 7/2005 Tomlinson ..... D12/111  
D542,189 S \* 5/2007 Ellsworth ..... D12/111  
D604,205 S \* 11/2009 Cattaneo ..... D12/111  
D635,894 S \* 4/2011 Argote Vivar ..... D12/111  
D637,527 S \* 5/2011 Choi ..... D12/111  
D667,347 S \* 9/2012 Simko ..... D12/111  
D688,599 S \* 8/2013 Silva ..... D12/111  
D689,408 S \* 9/2013 Kim ..... D12/111  
D720,657 S \* 1/2015 Kehler, Jr. .... D12/111

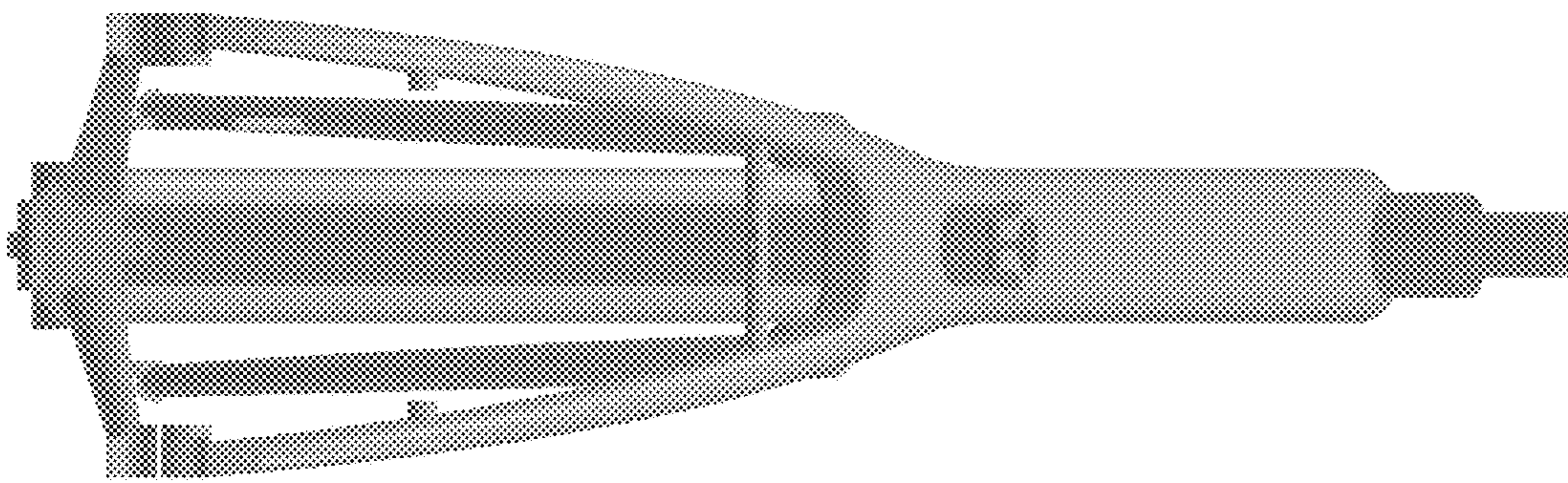




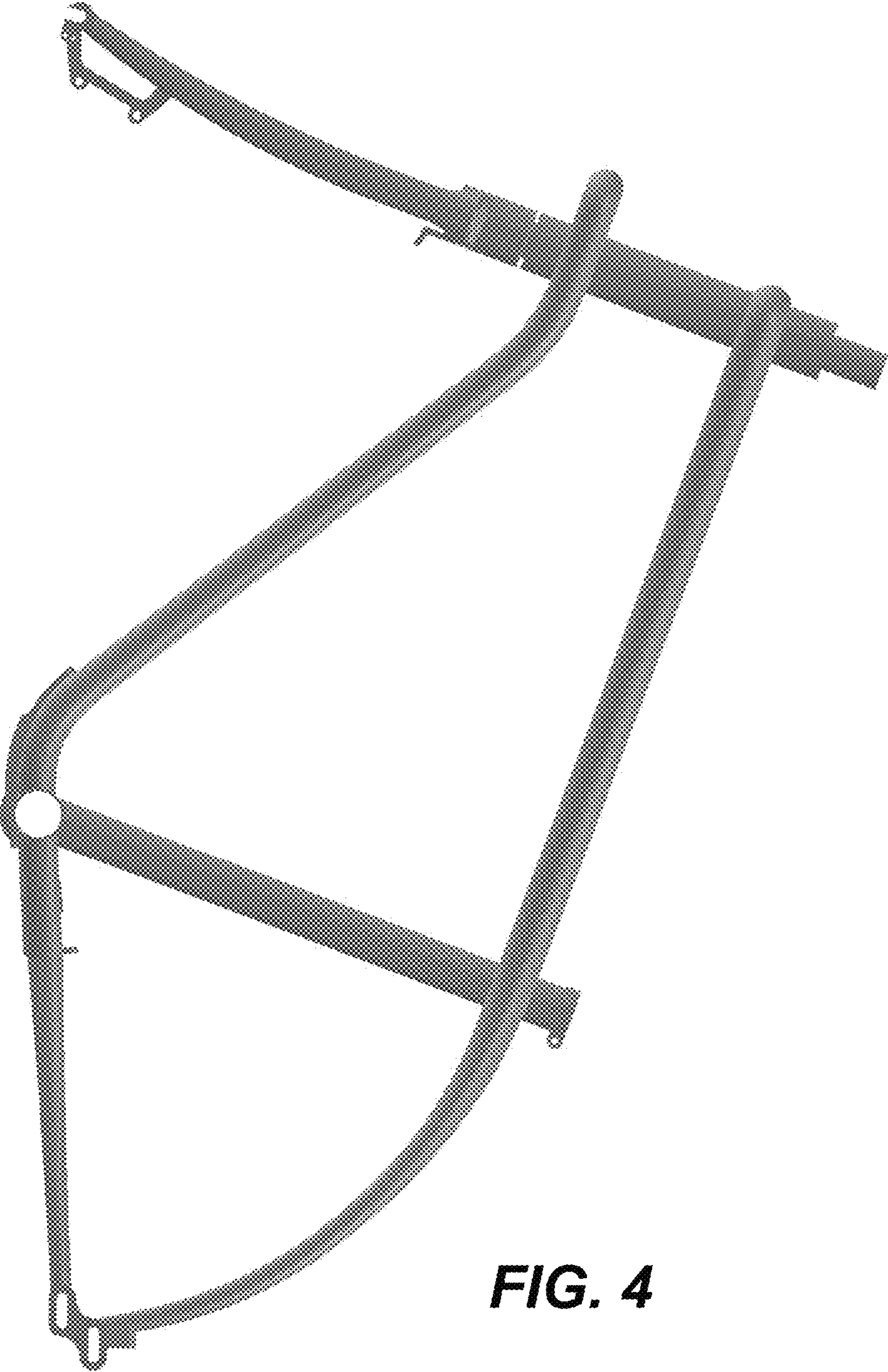
**FIG. 1**



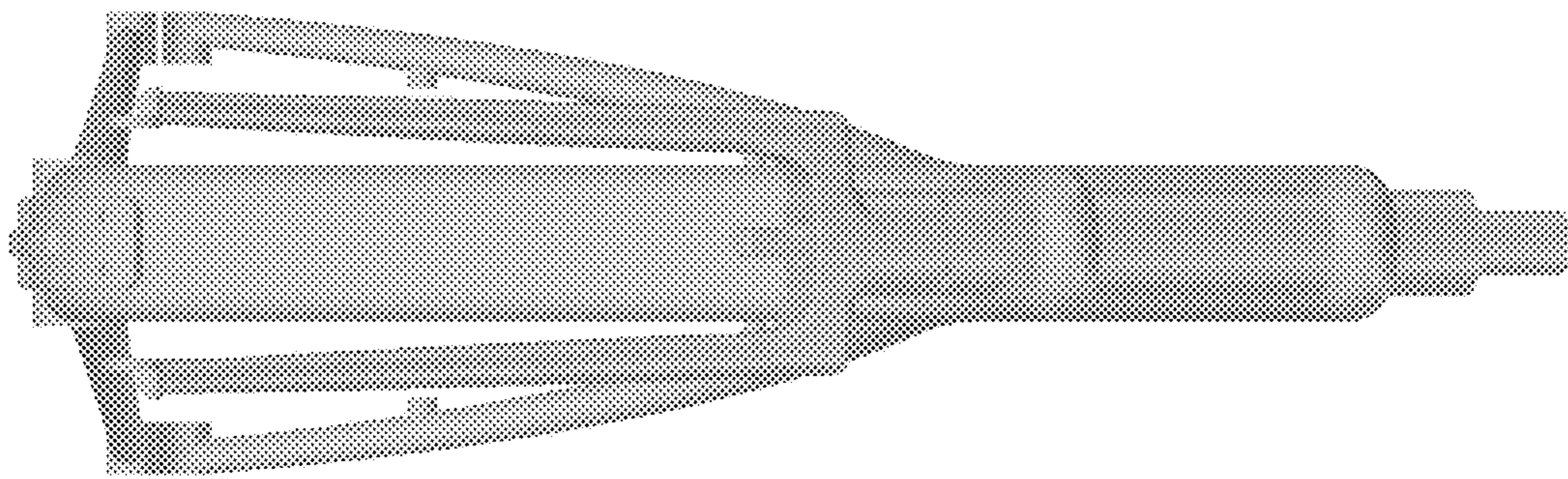
**FIG. 2**



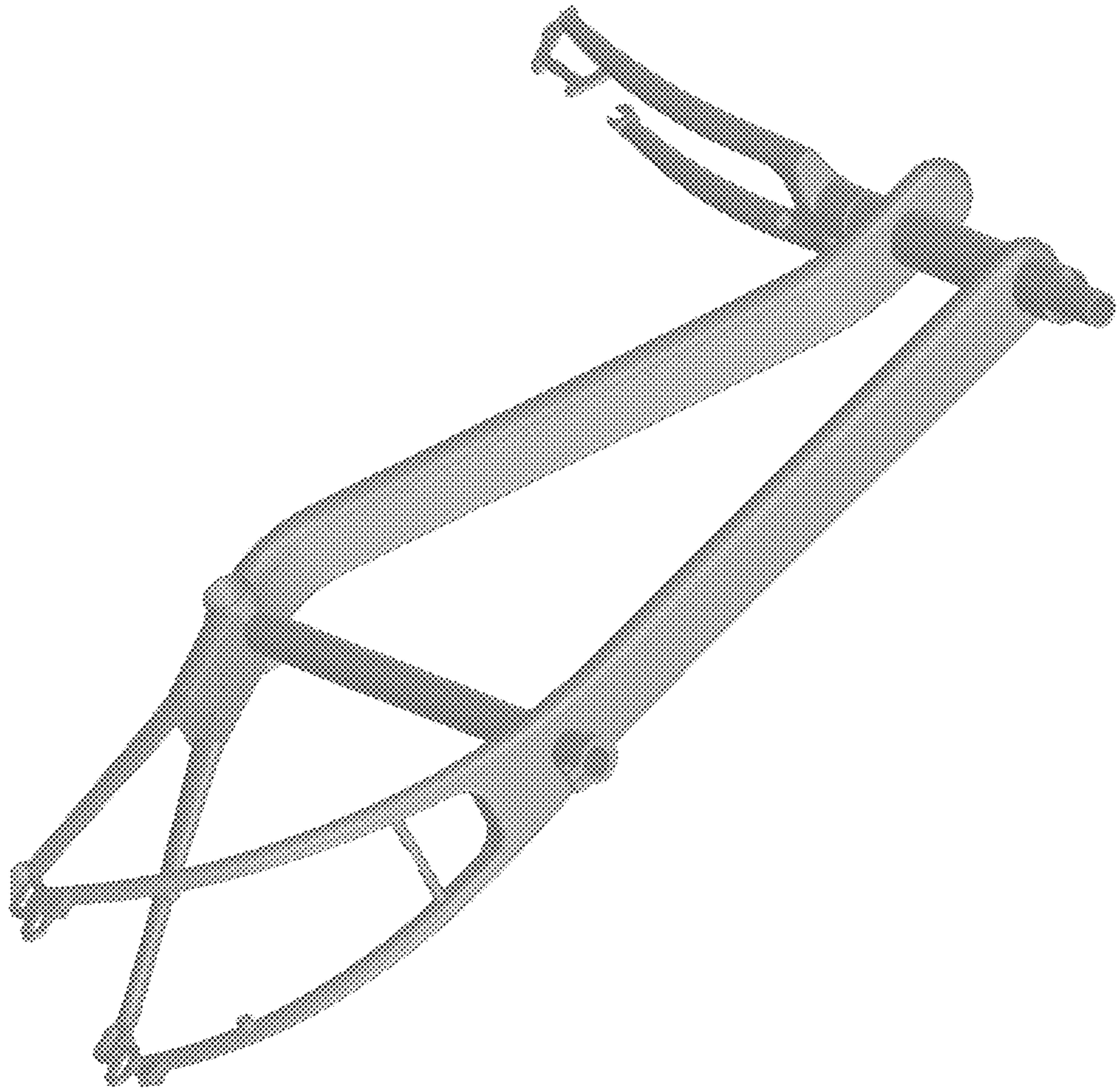
**FIG. 3**



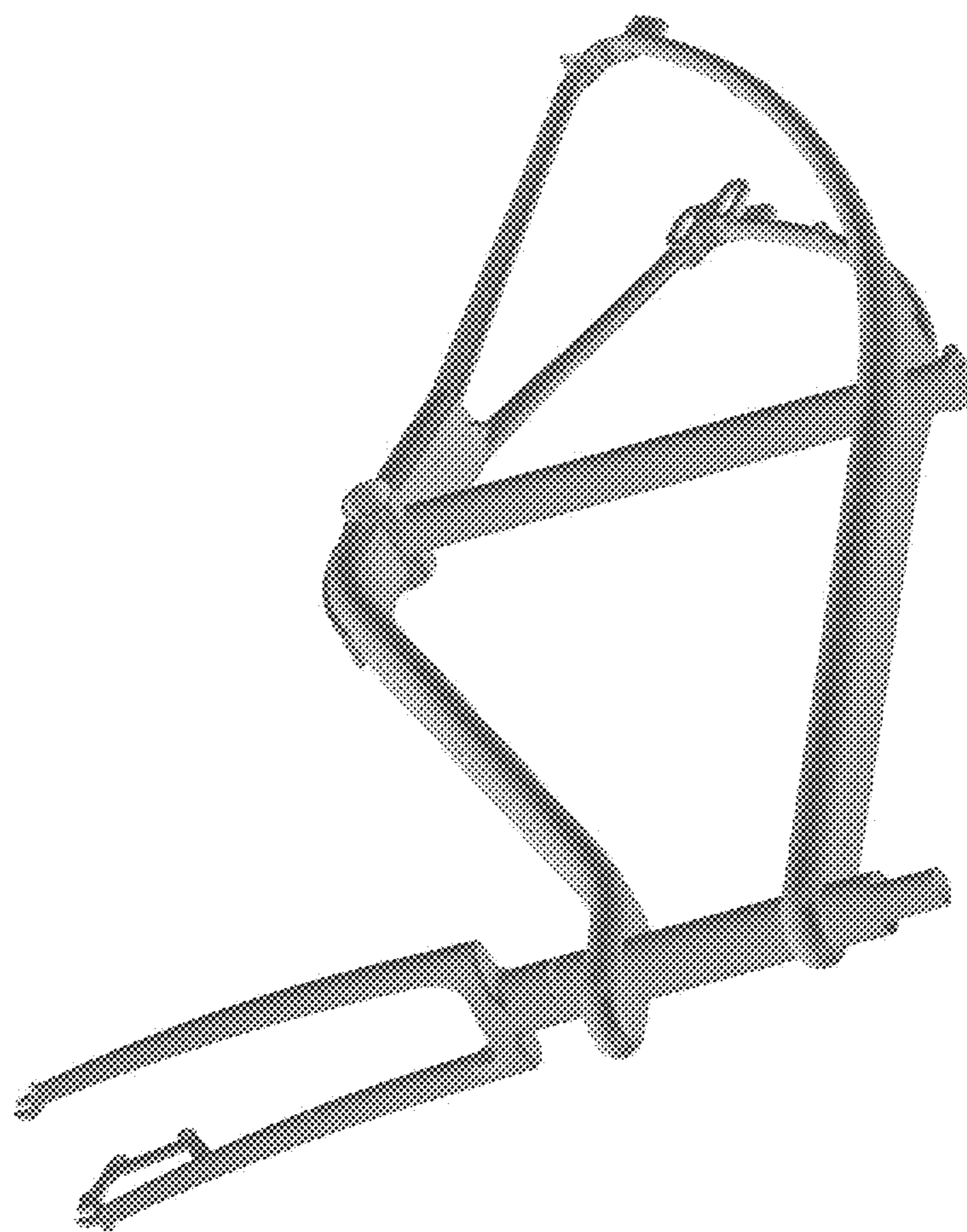
**FIG. 4**



**FIG. 5**



**FIG. 6**



**FIG. 7**