



US00D842764S

(12) **United States Design Patent** (10) **Patent No.:** **US D842,764 S**
Acacia et al. (45) **Date of Patent:** **** Mar. 12, 2019**

- (54) **BICYCLE FRAME**
- (71) Applicant: **WARREN INDUSTRIES LTD.,**
Concord (CA)
- (72) Inventors: **Franco Acacia, Keswick (CA);**
Douglas Broadhead, Brampton (CA);
David Freedman, Toronto (CA)
- (73) Assignee: **Warren Industries Ltd., Concord (CA)**
- (**) Term: **15 Years**
- (21) Appl. No.: **29/617,994**
- (22) Filed: **Sep. 18, 2017**
- (51) **LOC (11) Cl.** **12-11**
- (52) **U.S. Cl.**
USPC **D12/111**
- (58) **Field of Classification Search**
USPC D12/111, 117; D21/412, 414, 419,
D21/423-428, 431-435
CPC B62K 3/00; B62K 3/02; B62K 3/06
See application file for complete search history.

(56) **References Cited**

U.S. PATENT DOCUMENTS

D357,651 S	4/1995	Isaac et al.	
D514,031 S	1/2006	Drew et al.	
D523,380 S *	6/2006	Auger	D12/111
D575,681 S *	8/2008	Argote Vivar	D12/111
D670,208 S *	11/2012	Frenzel	D12/111
D672,690 S *	12/2012	Augustin	D12/111
D685,683 S *	7/2013	Shaw	D12/111
D719,488 S *	12/2014	Stafford	D12/111
D766,136 S *	9/2016	Jankura	D12/111
D774,970 S *	12/2016	D'Aluisio	D12/111
D774,980 S *	12/2016	Duehring	D12/111
9,611,003 B1 *	4/2017	Yu	B62M 6/90

D791,648 S *	7/2017	Choi	D12/111
D795,747 S *	8/2017	Bailie	D12/111
D797,610 S *	9/2017	Jankura	D12/111
D807,232 S *	1/2018	Bailie	D12/111
9,908,582 B1 *	3/2018	Choi	B62K 3/02
9,963,187 B1 *	5/2018	Quan	B62K 19/02
D826,102 S *	8/2018	Lefort	D12/111
2018/0065704 A1 *	3/2018	Choi	B60B 27/026

OTHER PUBLICATIONS

Notice of Allowance for TW 107 301542 dated Sep. 26, 2018.

* cited by examiner

Primary Examiner — Darlington Ly

(74) *Attorney, Agent, or Firm* — Millman IP Inc.

(57) **CLAIM**

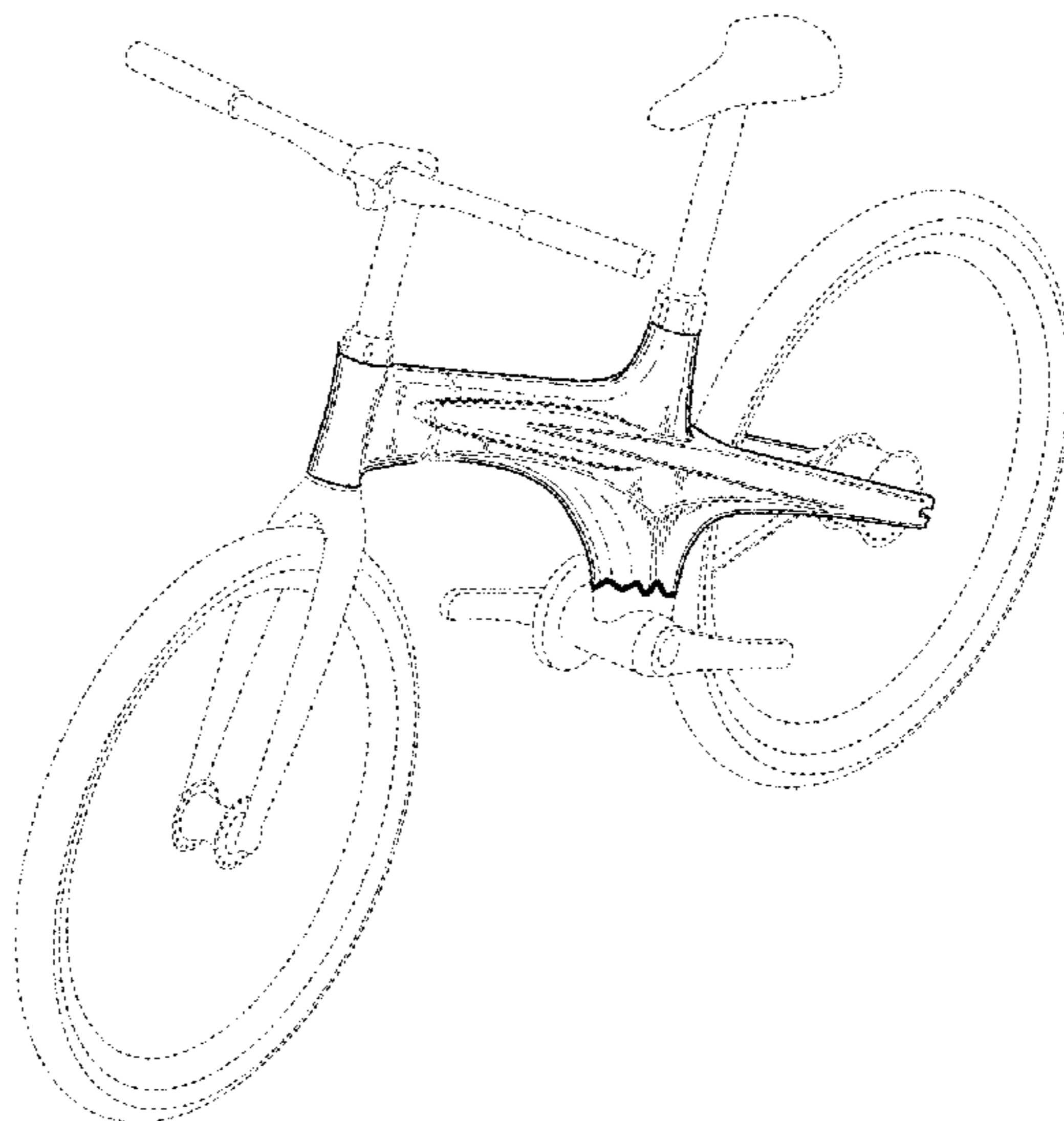
The ornamental design for a bicycle frame, as shown and described.

DESCRIPTION

FIG. 1 is a top, front, and left-side perspective view of a bicycle frame showing our new design;
 FIG. 2 is a top, rear, and left-side perspective view thereof;
 FIG. 3 is a bottom, front, and left-side perspective view thereof;
 FIG. 4 is a bottom, rear, and left-side perspective view thereof;
 FIG. 5 is a left side elevation view thereof;
 FIG. 6 is a right side elevation view thereof;
 FIG. 7 is top plan view thereof;
 FIG. 8 is a bottom plan view thereof;
 FIG. 9 is a front elevation view thereof; and,
 FIG. 10 is a rear elevation view thereof.

The broken lines in the drawings illustrate portions of the bicycle frame and environmental structures that form no part of the claimed design.

1 Claim, 9 Drawing Sheets



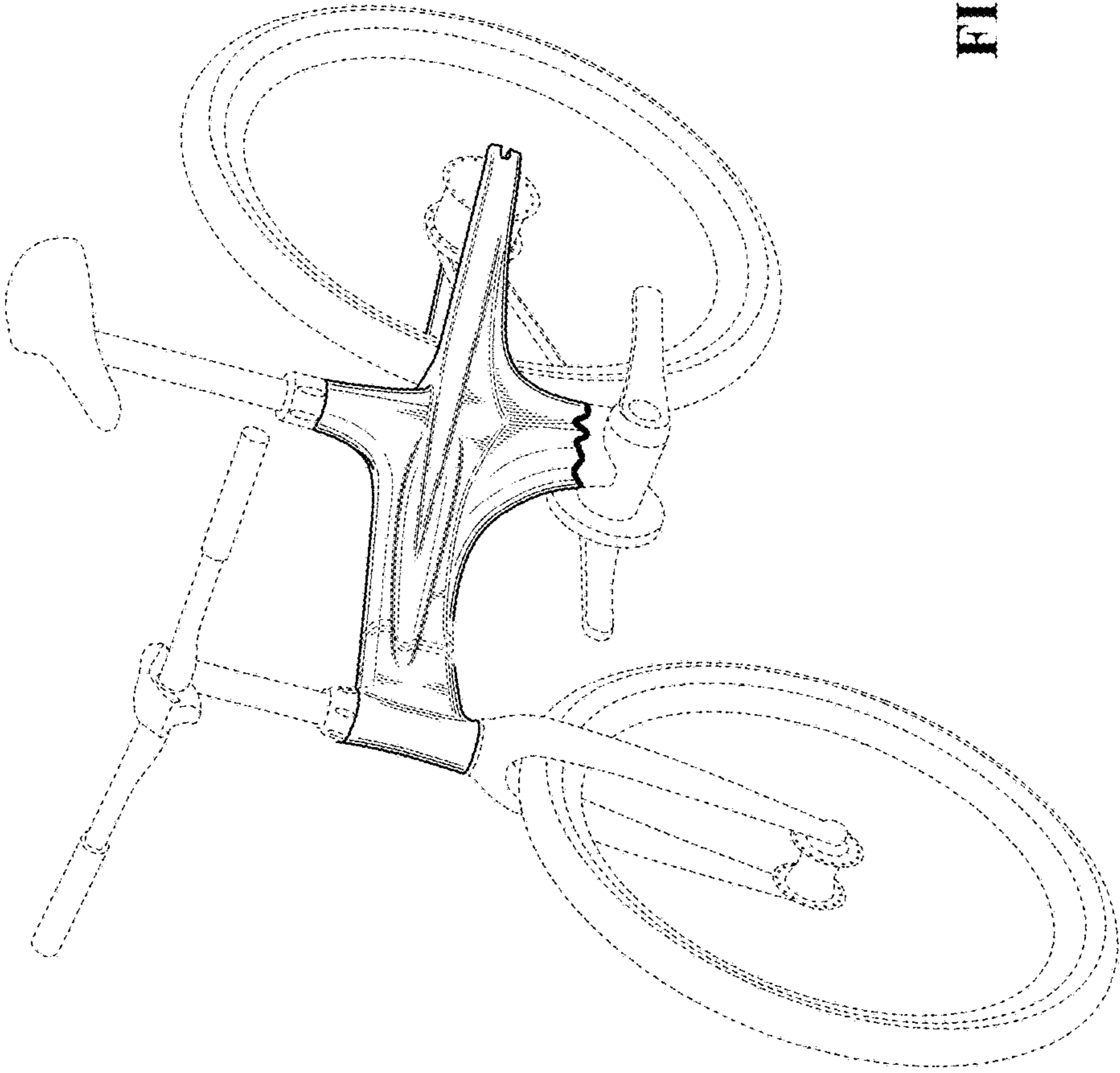


FIG. 1

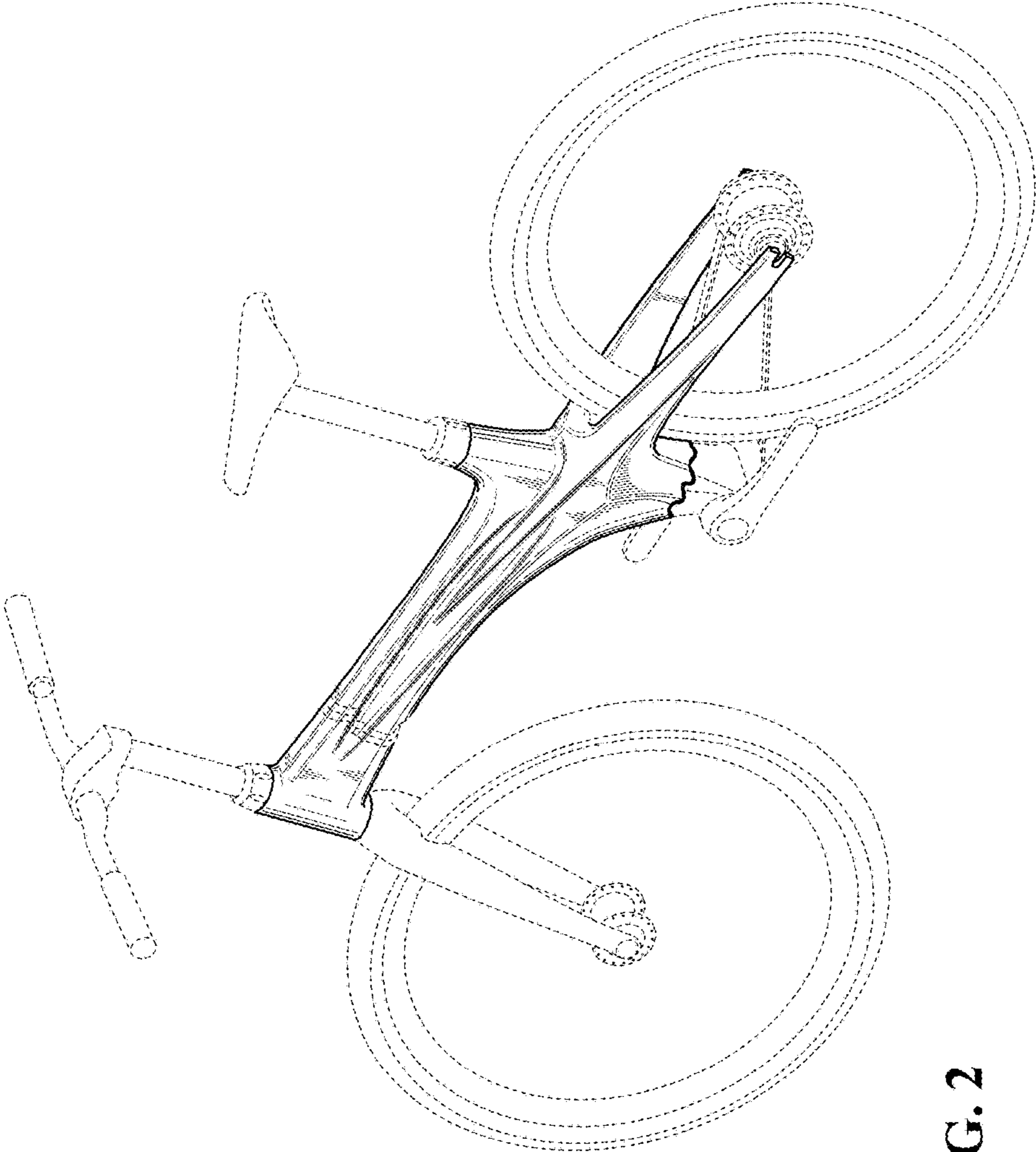


FIG. 2

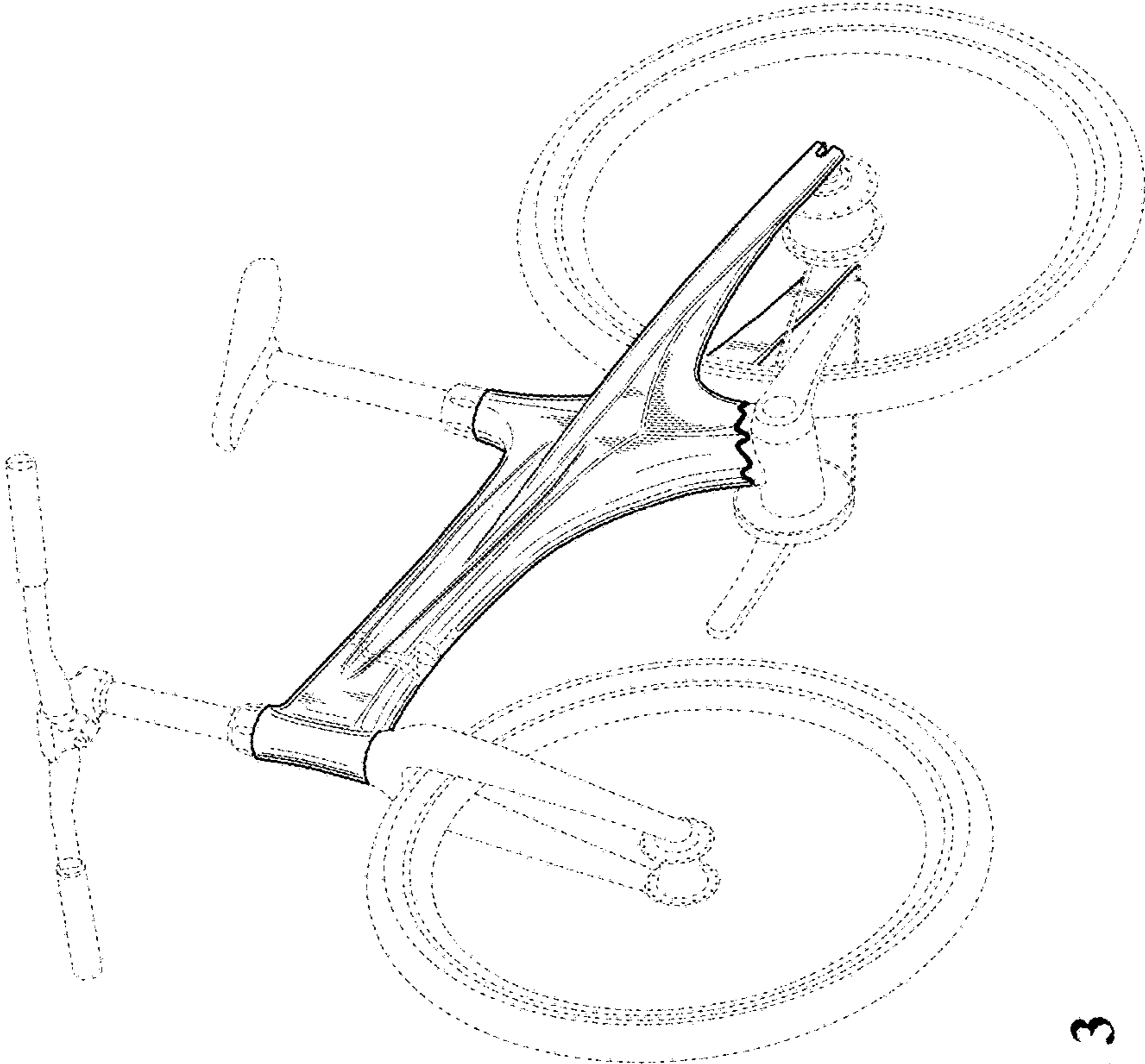


FIG. 3

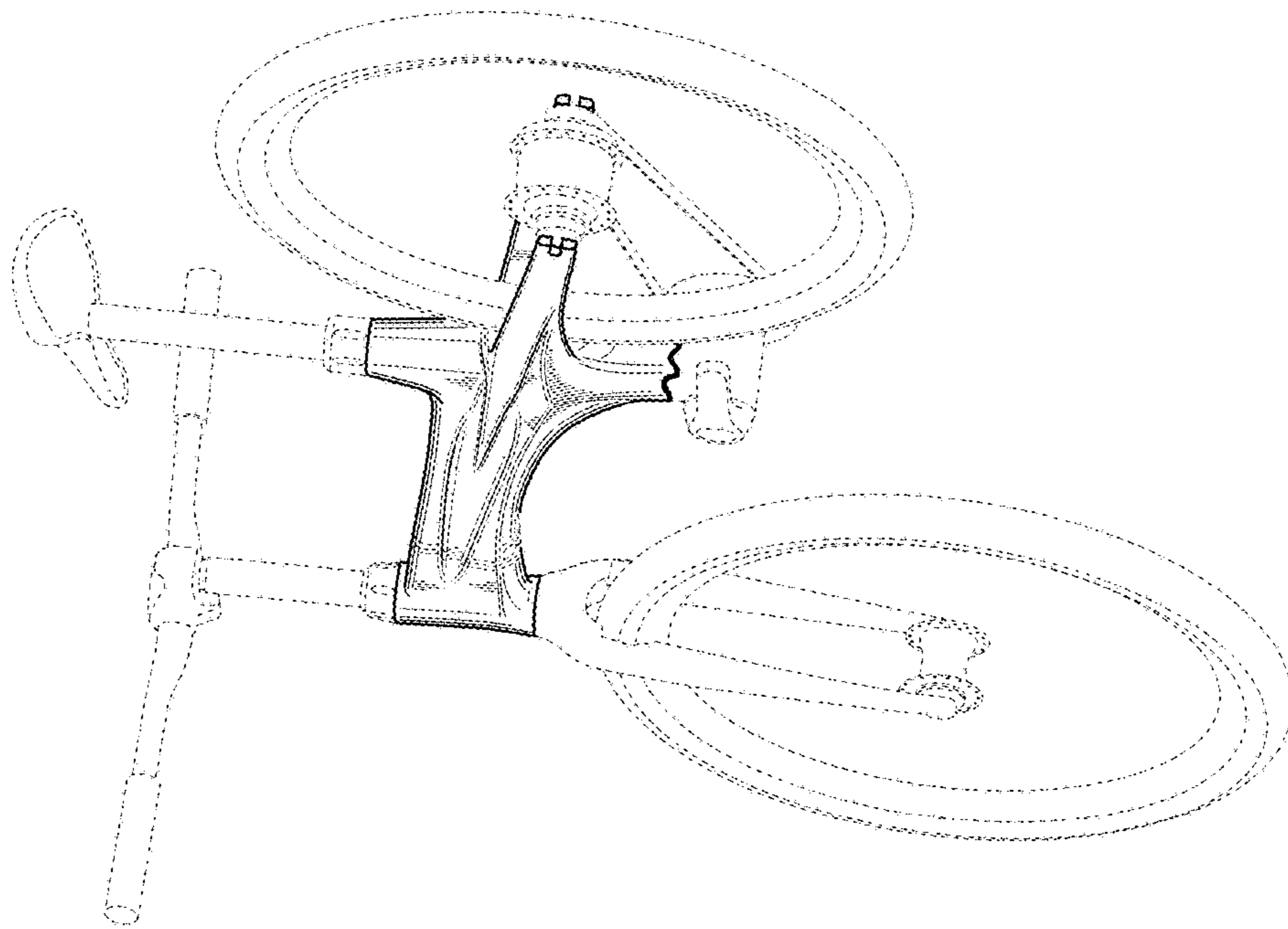


FIG. 4

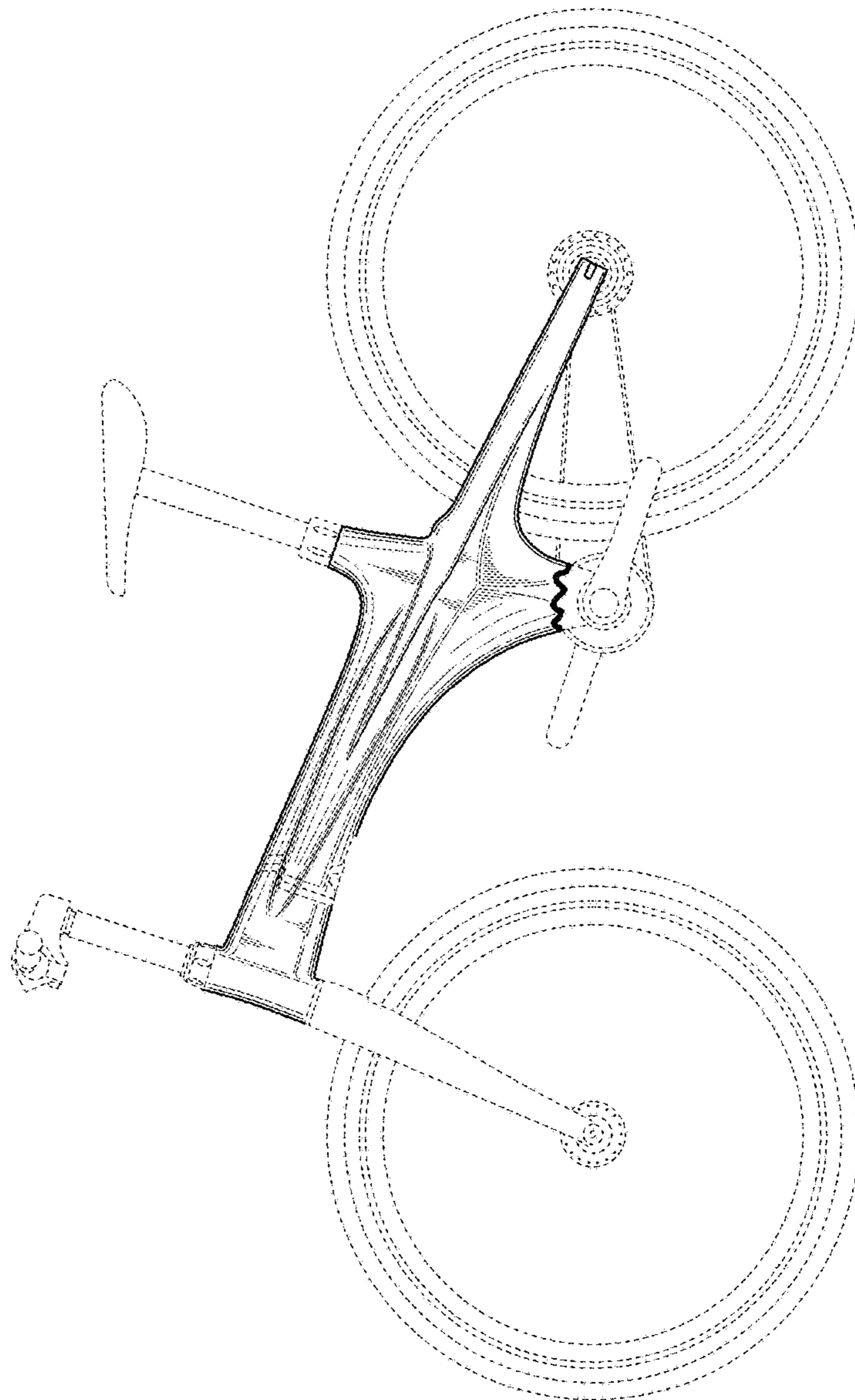


FIG. 5

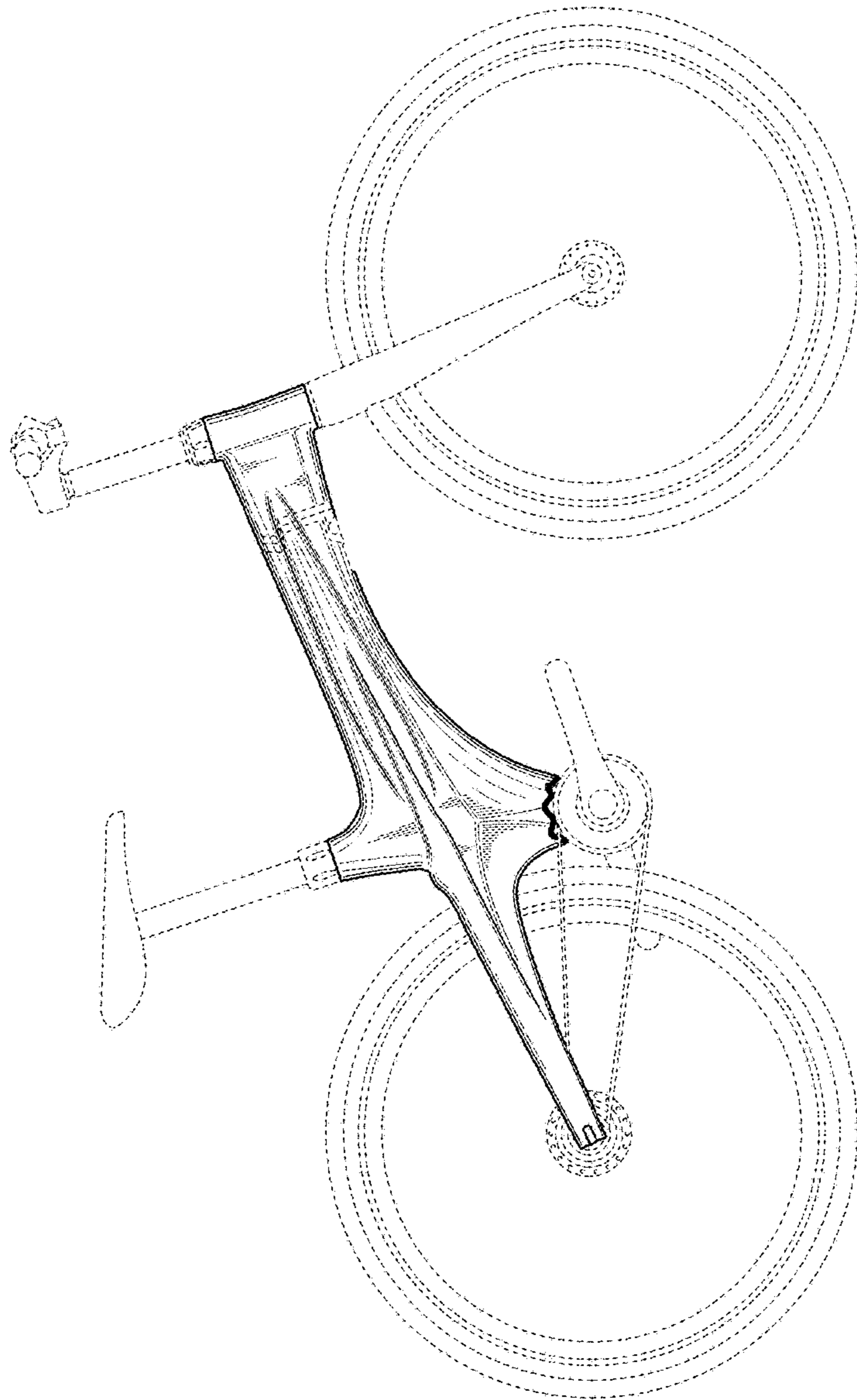


FIG. 6

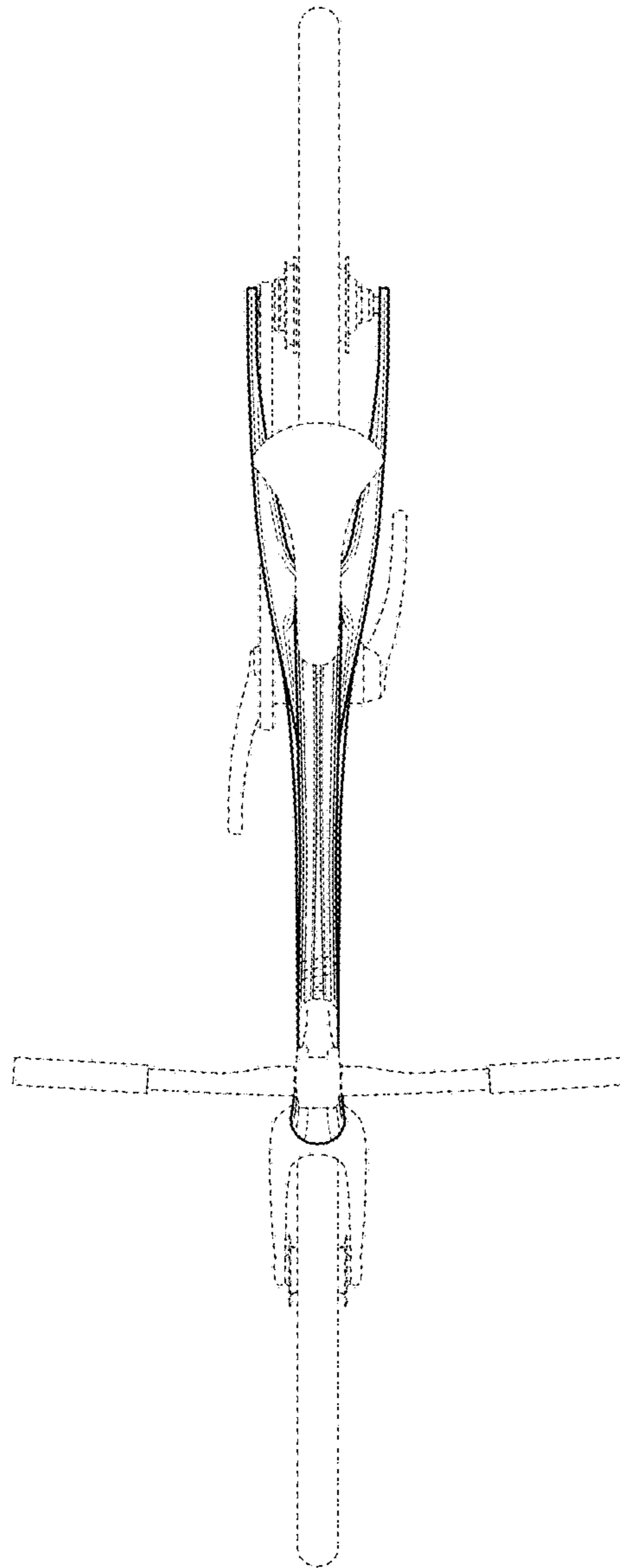


FIG. 7

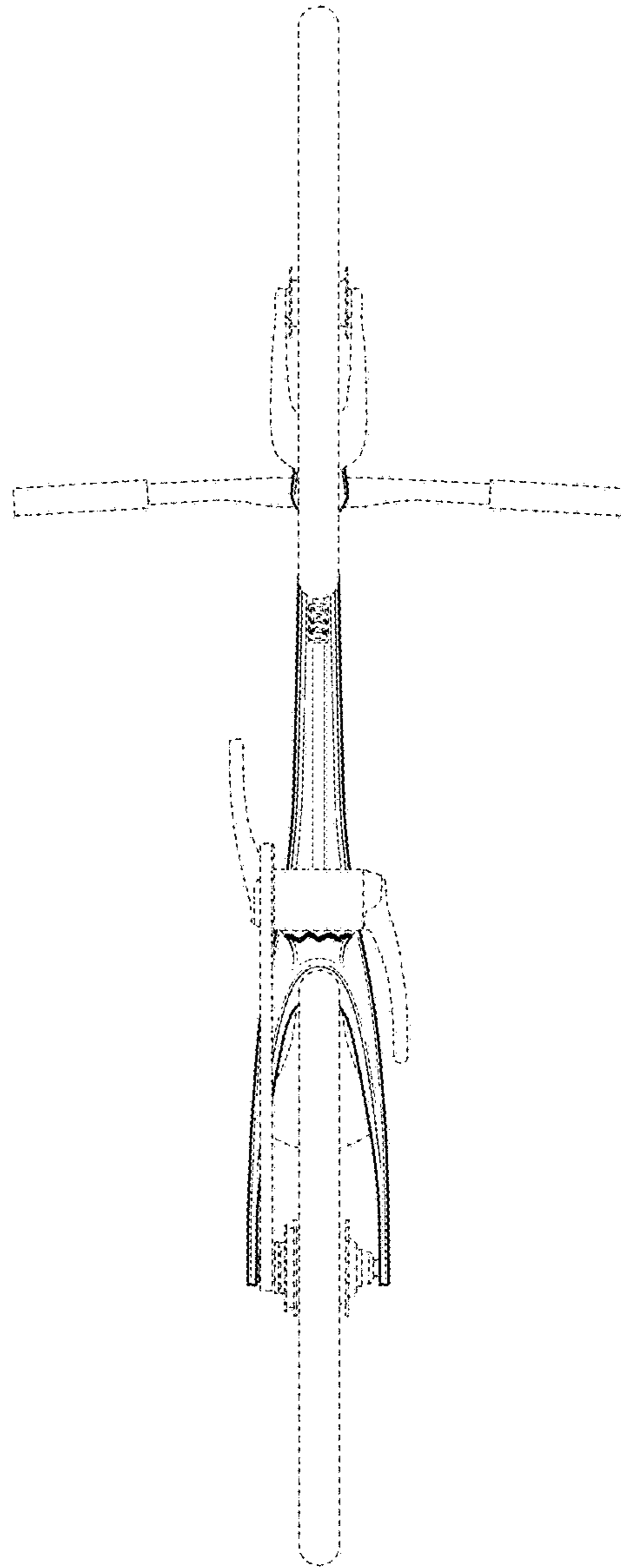


FIG. 8

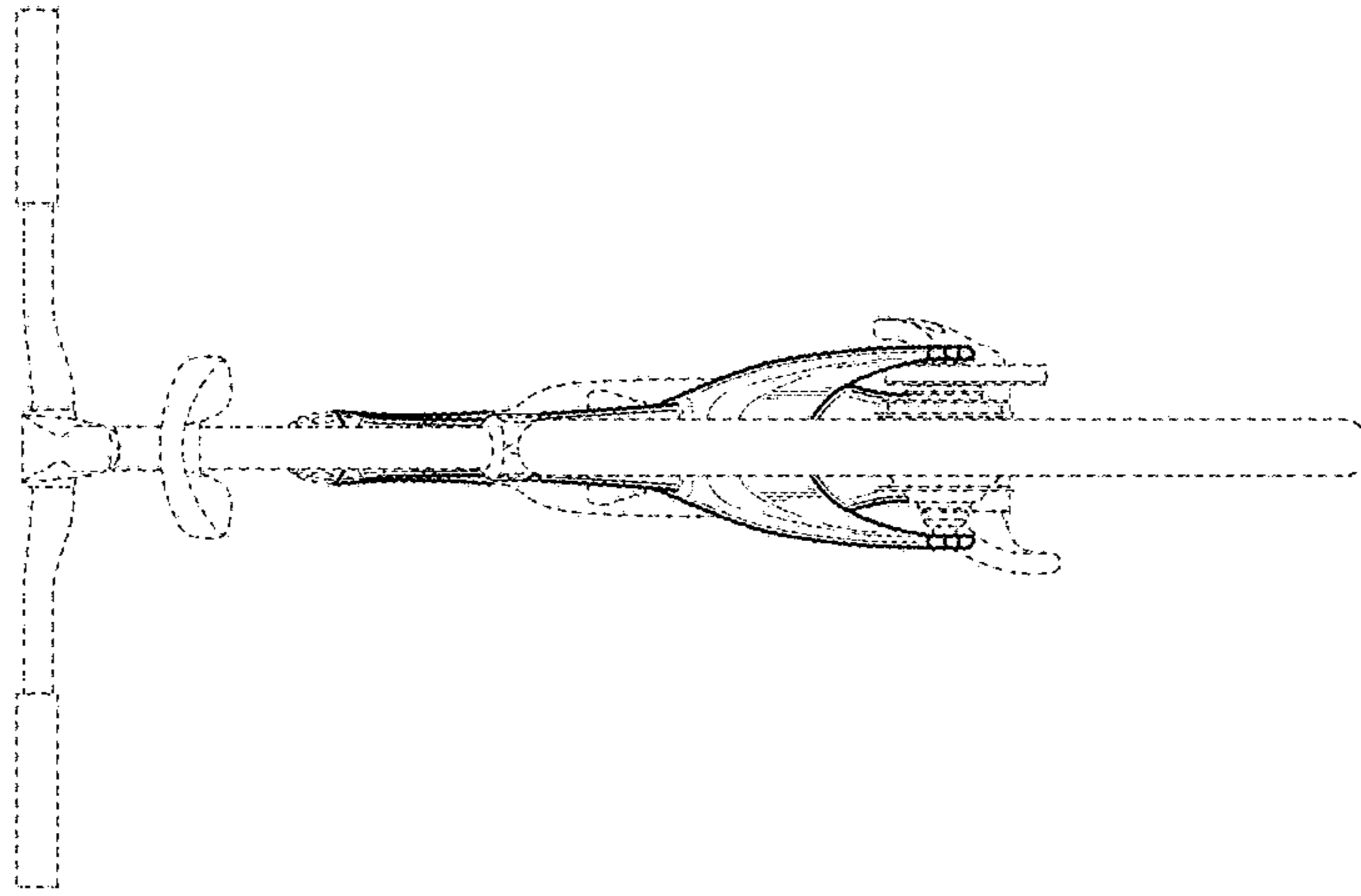


FIG. 10

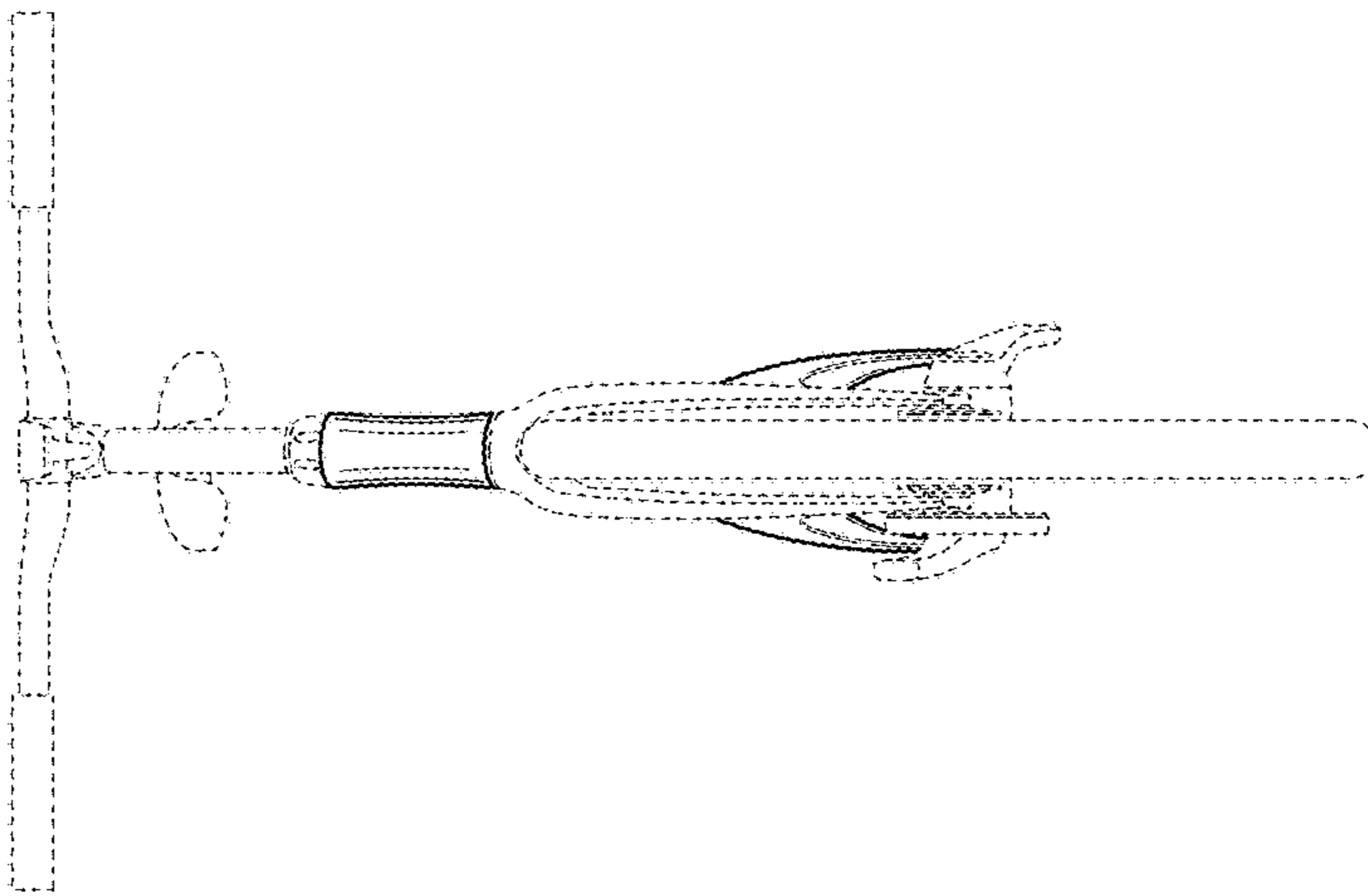


FIG. 9