



US00D842761S

(12) **United States Design Patent** (10) **Patent No.:** **US D842,761 S**  
**Uimonen et al.** (45) **Date of Patent:** **\*\* Mar. 12, 2019**

(54) **BIKE FRAME**  
(71) Applicant: **MOBILITY HOLDINGS, LIMITED,**  
Hong Kong (CN)  
(72) Inventors: **Joakim Uimonen,** Hong Kong (CN);  
**Eric Yi-Hung Lin,** Hong Kong (CN)  
(73) Assignee: **MOBILITY HOLDINGS, LIMITED,**  
Causeway Bay (HK)

D622,638 S \* 8/2010 Uimonen ..... D12/111  
D626,037 S \* 10/2010 Thetard ..... D12/111  
D632,615 S \* 2/2011 Uimonen ..... D12/111  
D651,539 S \* 1/2012 Thetard ..... D12/111  
D662,445 S \* 6/2012 Uimonen ..... D12/111  
D665,708 S \* 8/2012 Uimonen ..... D12/111  
D666,536 S \* 9/2012 Uimonen ..... D12/111  
D666,946 S \* 9/2012 Uimonen ..... D12/111  
D670,208 S \* 11/2012 Frenzel ..... D12/111  
D690,238 S \* 9/2013 Uimonen ..... D12/111  
D690,239 S \* 9/2013 Uimonen ..... D12/111  
D693,739 S \* 11/2013 Uimonen ..... D12/111  
D721,014 S \* 1/2015 Kahler, Jr. .... D12/111  
9,371,105 B2 \* 6/2016 Chou ..... B62K 3/02  
D774,966 S \* 12/2016 Finbow ..... D12/111

(\*\*) Term: **15 Years**  
(21) Appl. No.: **29/599,244**

\* cited by examiner

(22) Filed: **Mar. 31, 2017**  
(51) **LOC (11) Cl.** ..... **12-11**  
(52) **U.S. Cl.**  
USPC ..... **D12/111**  
(58) **Field of Classification Search**  
USPC ..... D12/111, 117; D21/412, 414, 419,  
D21/423-428, 431-435  
CPC ..... B62K 3/00; B62K 3/02; B62K 3/06  
See application file for complete search history.

*Primary Examiner* — Darlington Ly  
(74) *Attorney, Agent, or Firm* — Muncy, Geissler, Olds &  
Lowe, P.C.

(57) **CLAIM**

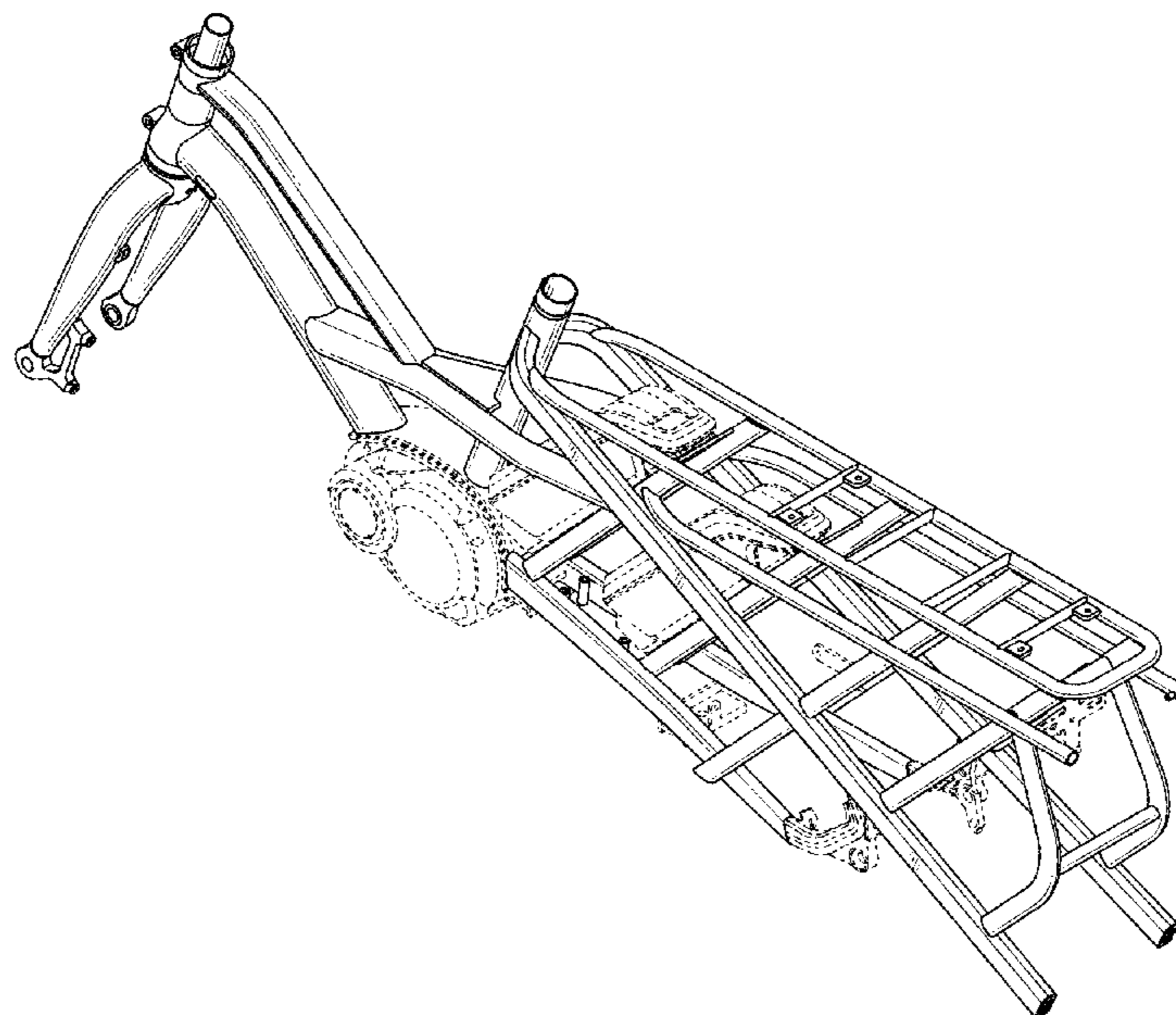
The ornamental design for a bike frame, as shown and described.

**DESCRIPTION**

(56) **References Cited**  
U.S. PATENT DOCUMENTS  
D195,019 S \* 4/1963 Schreckengost ..... D12/111  
D216,538 S \* 2/1970 Hill ..... D12/111  
D235,249 S \* 6/1975 Kitsuda ..... D12/111  
D384,307 S \* 9/1997 Fisher ..... D12/111  
D386,451 S \* 11/1997 Liao ..... D12/111  
6,845,998 B2 \* 1/2005 Probst ..... B62K 25/286  
280/275  
6,953,202 B2 \* 10/2005 Chamberlain ..... B62K 3/04  
280/281.1  
D533,811 S \* 12/2006 Hoisington ..... D12/111  
D610,047 S \* 2/2010 Uimonen ..... D12/111

FIG. 1 is a top, rear, and left side perspective view of a bike frame showing our new design;  
FIG. 2 is a left side elevation view thereof;  
FIG. 3 is a right side elevation view thereof;  
FIG. 4 is a front elevation view thereof;  
FIG. 5 is a rear elevation view thereof;  
FIG. 6 is a top plan view thereof; and,  
FIG. 7 is a bottom plan view thereof.  
The broken lines in drawings illustrate portions of the bike frame and environmental structures that form no part of the claimed design.

**1 Claim, 6 Drawing Sheets**



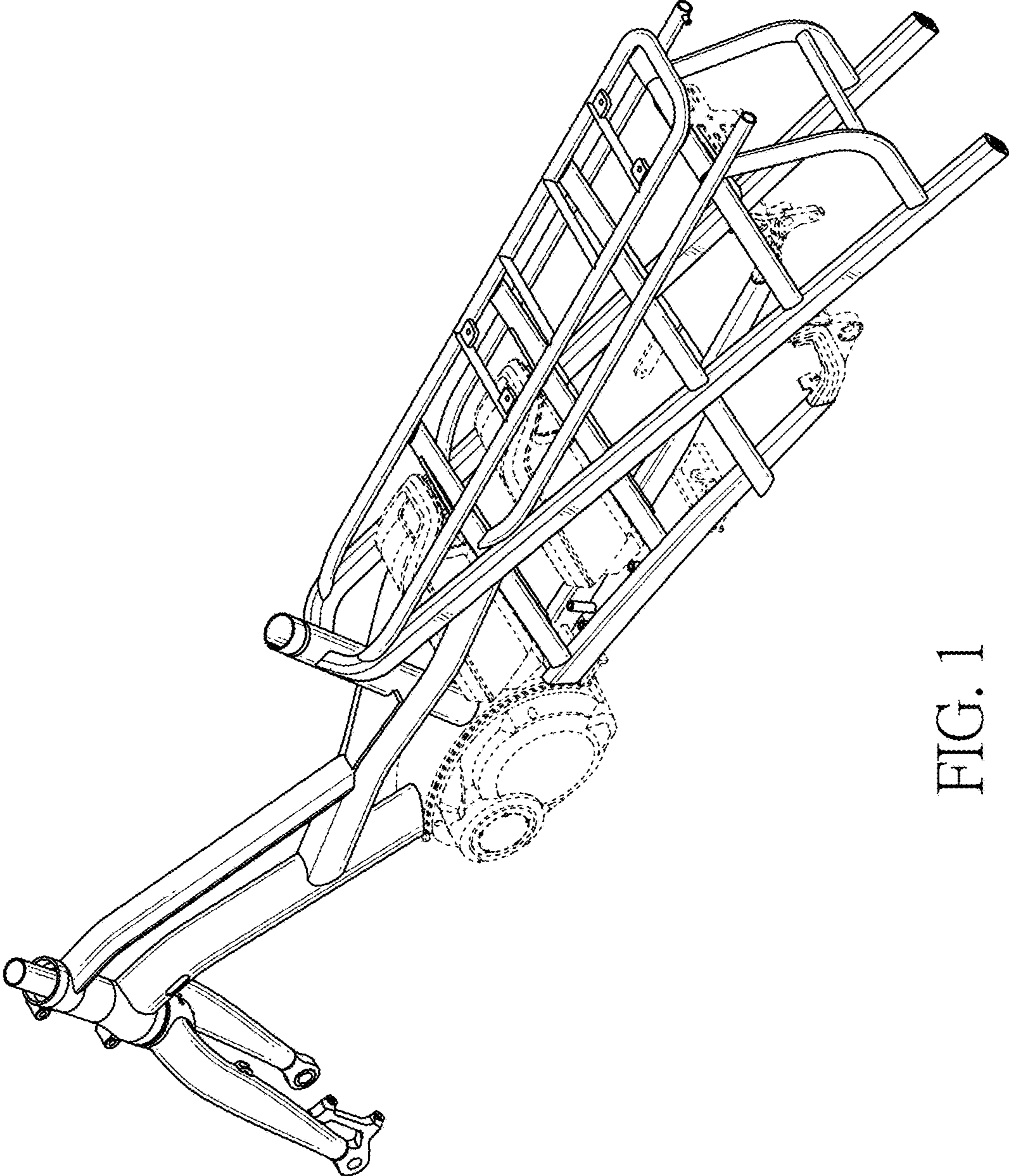


FIG. 1



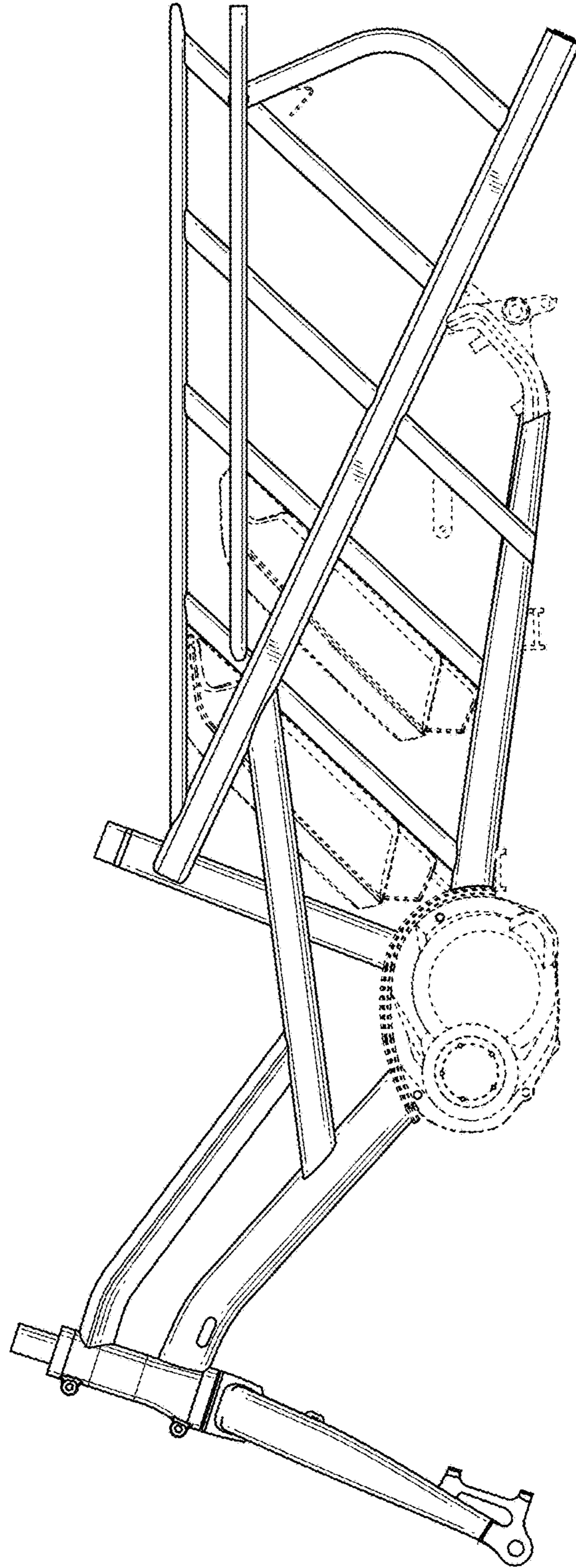


FIG. 2

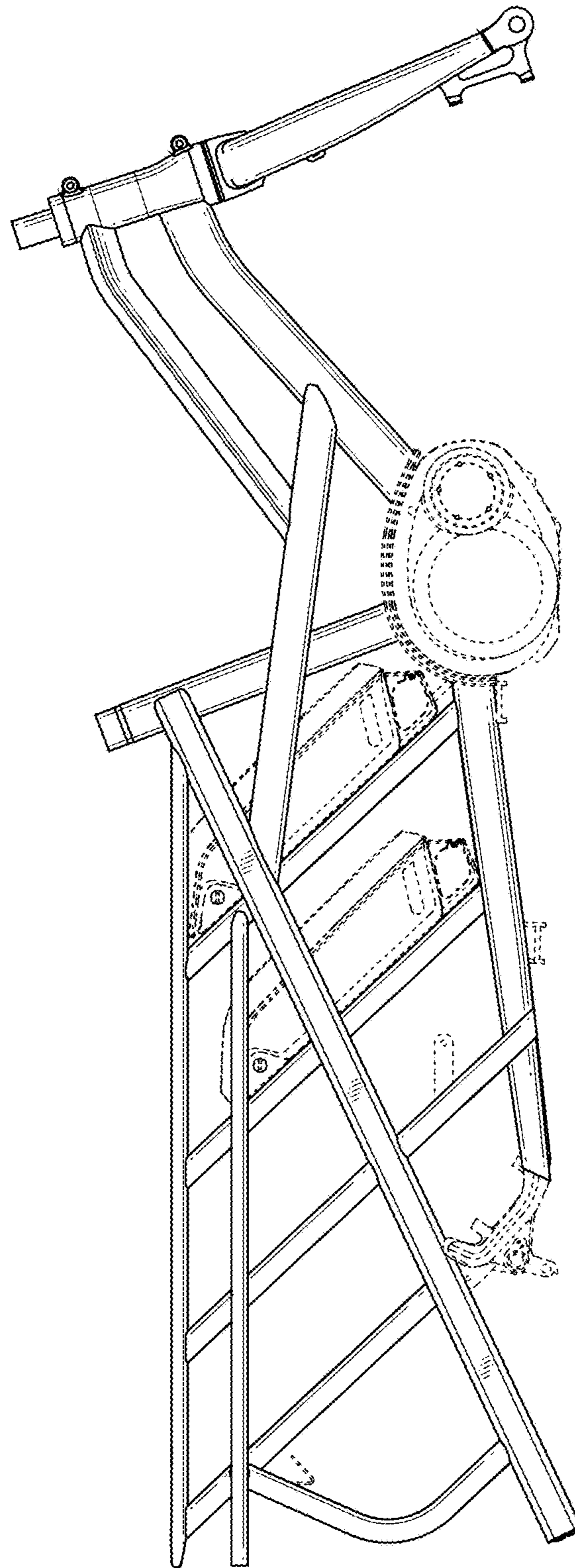


FIG. 3

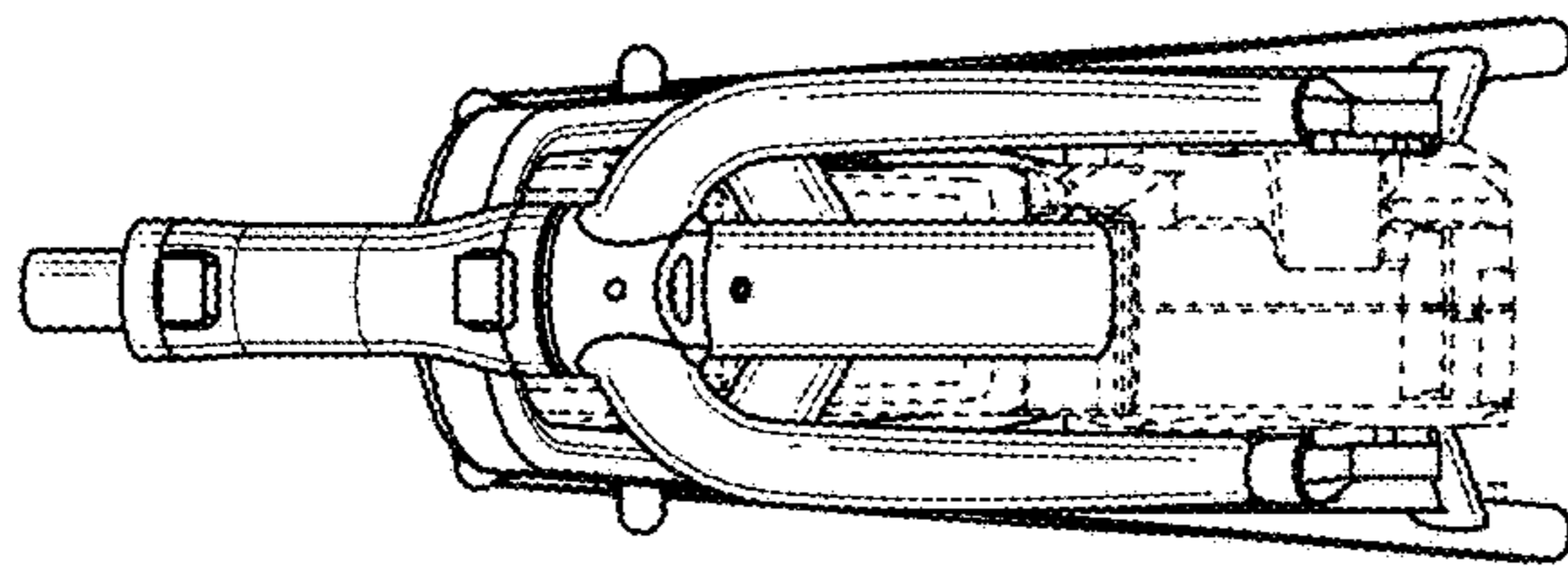


FIG. 4

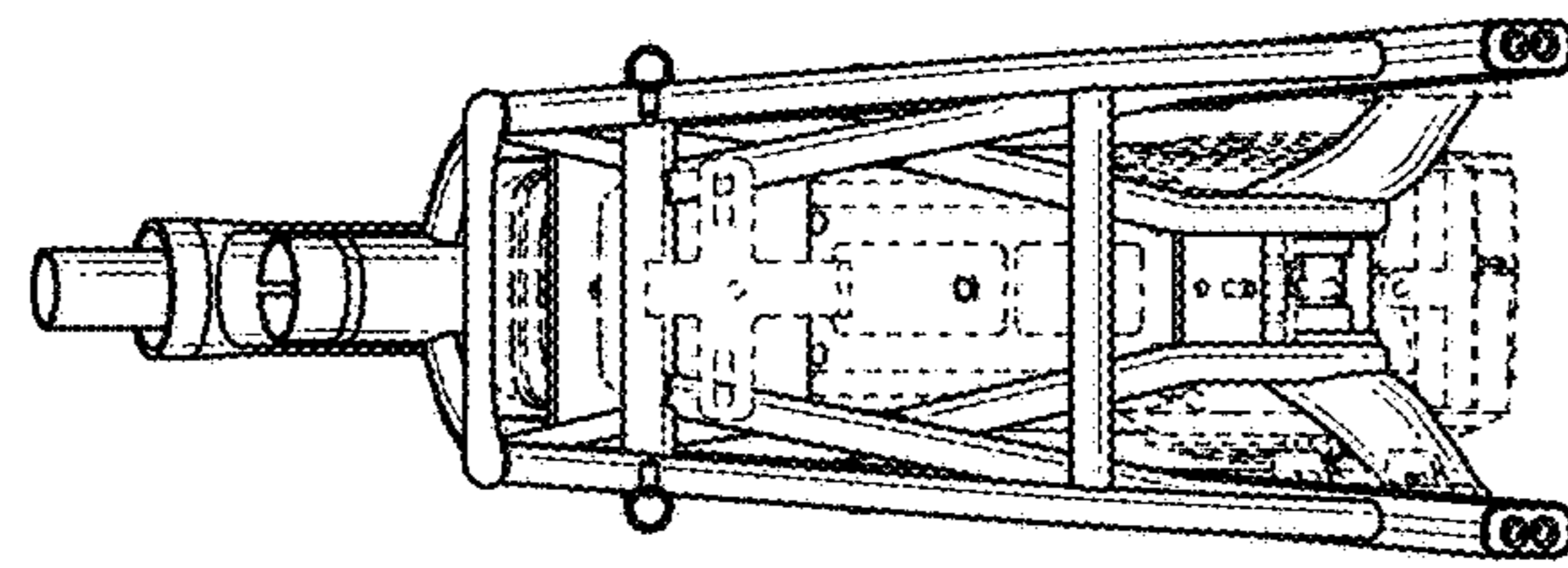


FIG. 5

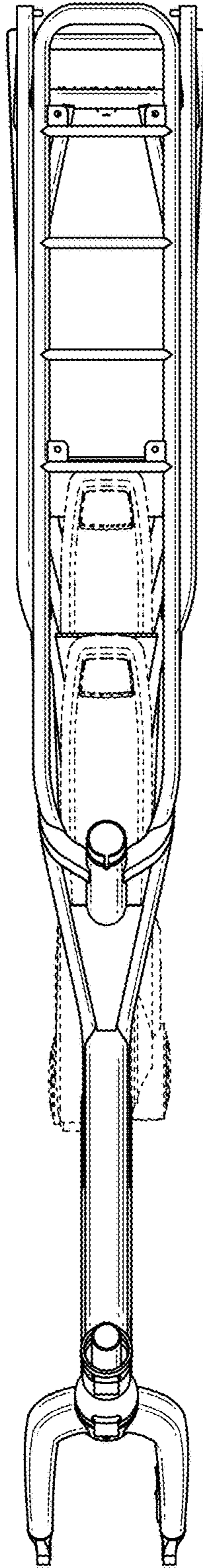


FIG. 6

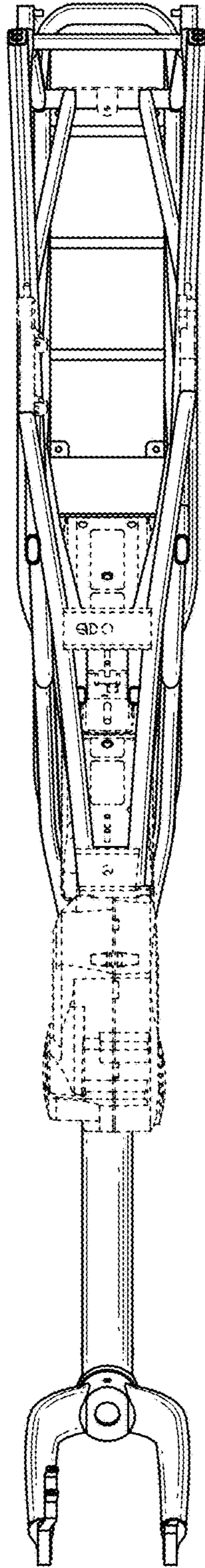


FIG. 7